



US00D467215S

(12) **United States Design Patent**  
**Kern**

(10) **Patent No.:** **US D467,215 S**

(45) **Date of Patent:** **\*\* Dec. 17, 2002**

- (54) **WHEEL**
- (75) **Inventor:** **Steven J. Kern**, Palatine, IL (US)
- (73) **Assignee:** **GB Automotive Products, Inc.**, Hawthorne, CA (US)
- (\*\*) **Term:** **14 Years**
- (21) **Appl. No.:** **29/150,720**
- (22) **Filed:** **Nov. 16, 2001**
- (51) **LOC (7) Cl.** ..... **12-16**
- (52) **U.S. Cl.** ..... **D12/211**
- (58) **Field of Search** ..... D12/204-211;  
301/37.1, 64.1, 65

D432,481 S	10/2000	Brown	.....	D12/209
D432,972 S	* 10/2000	Chung	.....	D12/209
D433,658 S	* 11/2000	Donikoglu	.....	D12/209
D435,823 S	* 1/2001	Fitzgerald	.....	D12/211
D436,569 S	* 1/2001	Brown et al.	.....	D12/209
D436,570 S	1/2001	Lee	.....	D12/209
D438,834 S	* 3/2001	Ong	.....	D12/211
D444,439 S	* 7/2001	Cullen	.....	D12/211
D445,082 S	* 7/2001	Chung	.....	D12/211
D445,752 S	7/2001	Lee	.....	D12/211
D446,180 S	* 8/2001	Sulahian et al.	.....	D12/211
D446,493 S	* 8/2001	Sulahian et al.	.....	D12/211
D448,712 S	* 10/2001	Laengerer	.....	D12/209
D449,811 S	* 10/2001	Fitzgerald	.....	D12/211
D450,026 S	* 11/2001	Donikoglu	.....	D12/209
D452,209 S	* 12/2001	Chung	.....	D12/209
D453,492 S	* 2/2002	Laengerer	.....	D12/209

\* cited by examiner

(56) **References Cited**  
**U.S. PATENT DOCUMENTS**

D204,669 S	5/1966	Goodwin	.....	D14/30
D207,001 S	2/1967	Fenton	.....	D14/30
D208,542 S	* 9/1967	Halibrand	.....	D12/211
D216,507 S	1/1970	Whitney	.....	D14/30
D236,975 S	* 9/1975	May	.....	D12/209
D347,203 S	5/1994	Buyze et al.	.....	D12/211
D367,460 S	2/1996	Chung	.....	D12/209
D381,618 S	7/1997	Suprihanto	.....	D12/209
D386,461 S	11/1997	Neeper	.....	D12/209
D403,644 S	1/1999	Elbertse et al.	.....	D12/209
D409,553 S	5/1999	Neeper	.....	D12/211
D422,257 S	* 4/2000	Pruden	.....	D12/209
D428,378 S	7/2000	Lee	.....	D12/209
D431,517 S	* 10/2000	Donikoglu	.....	D12/209

*Primary Examiner*—Stacia Cadmus  
(74) *Attorney, Agent, or Firm*—Stetina Brunda Garred & Brucker

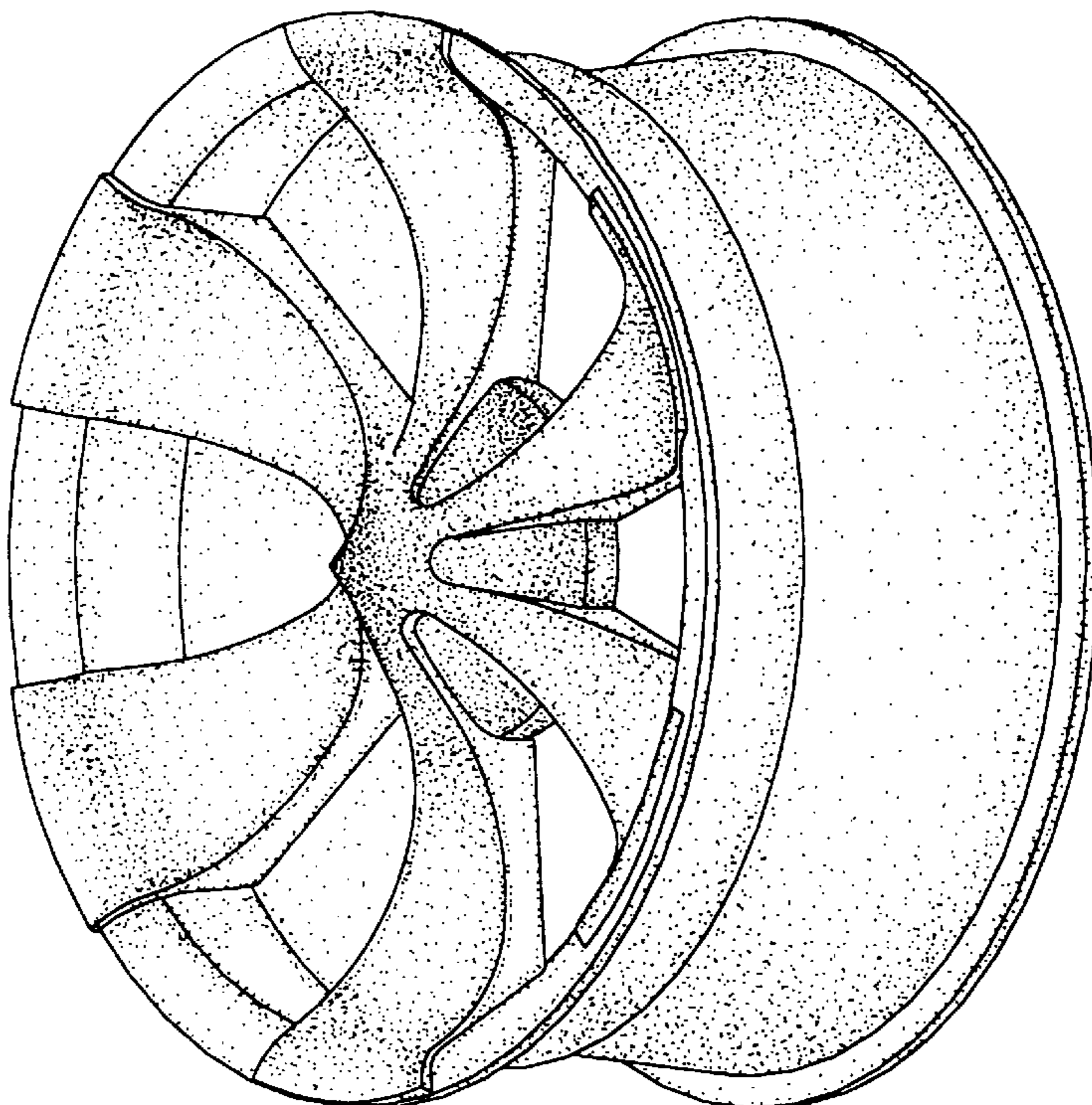
(57) **CLAIM**

The ornamental design for a wheel, as shown and described.

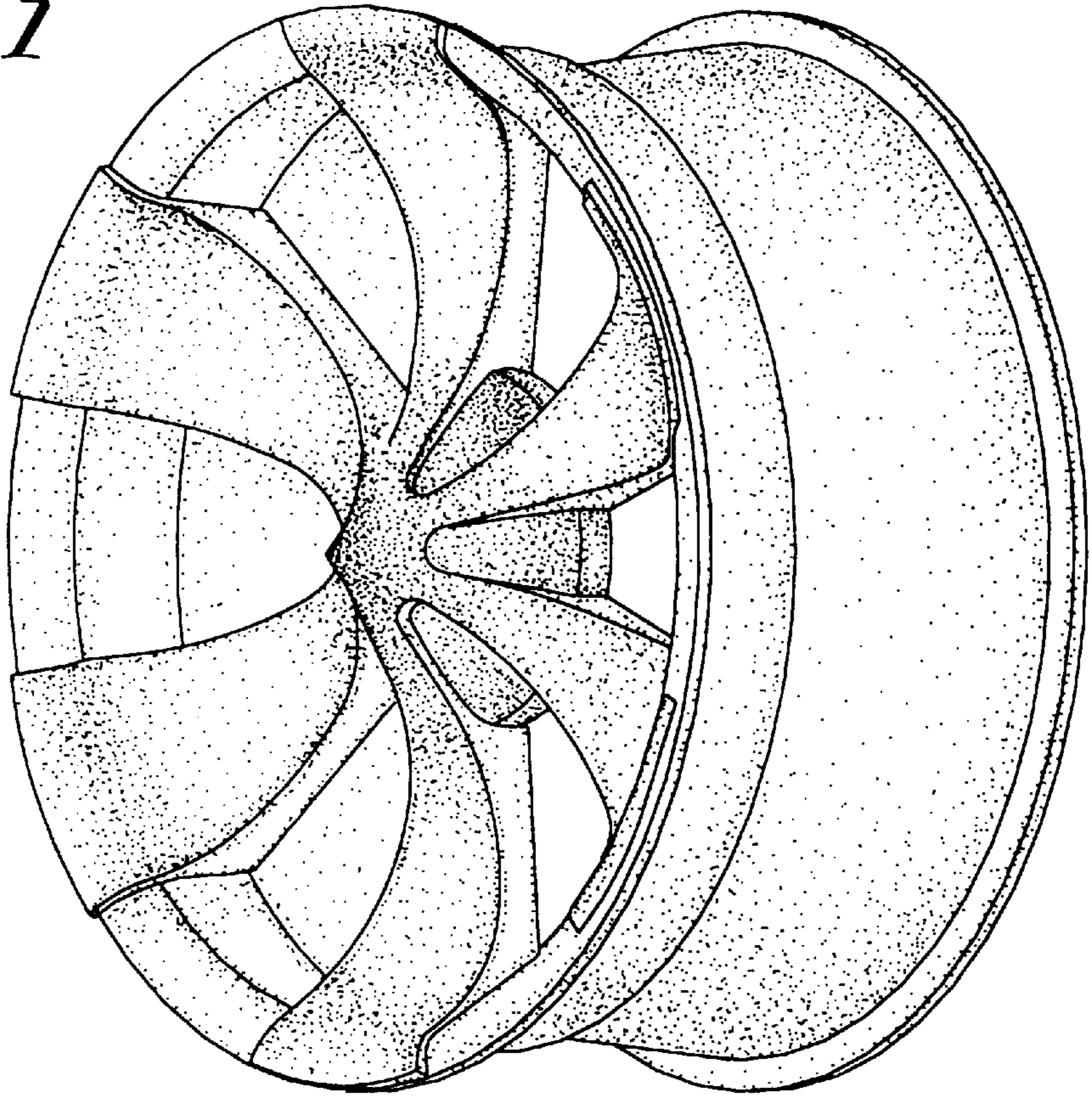
**DESCRIPTION**

FIG. 1 is a front perspective view of the wheel invention showing my new design;  
FIG. 2 is a front elevational view of the wheel invention showing my new design; and,  
FIG. 3 is a side elevational view thereof.

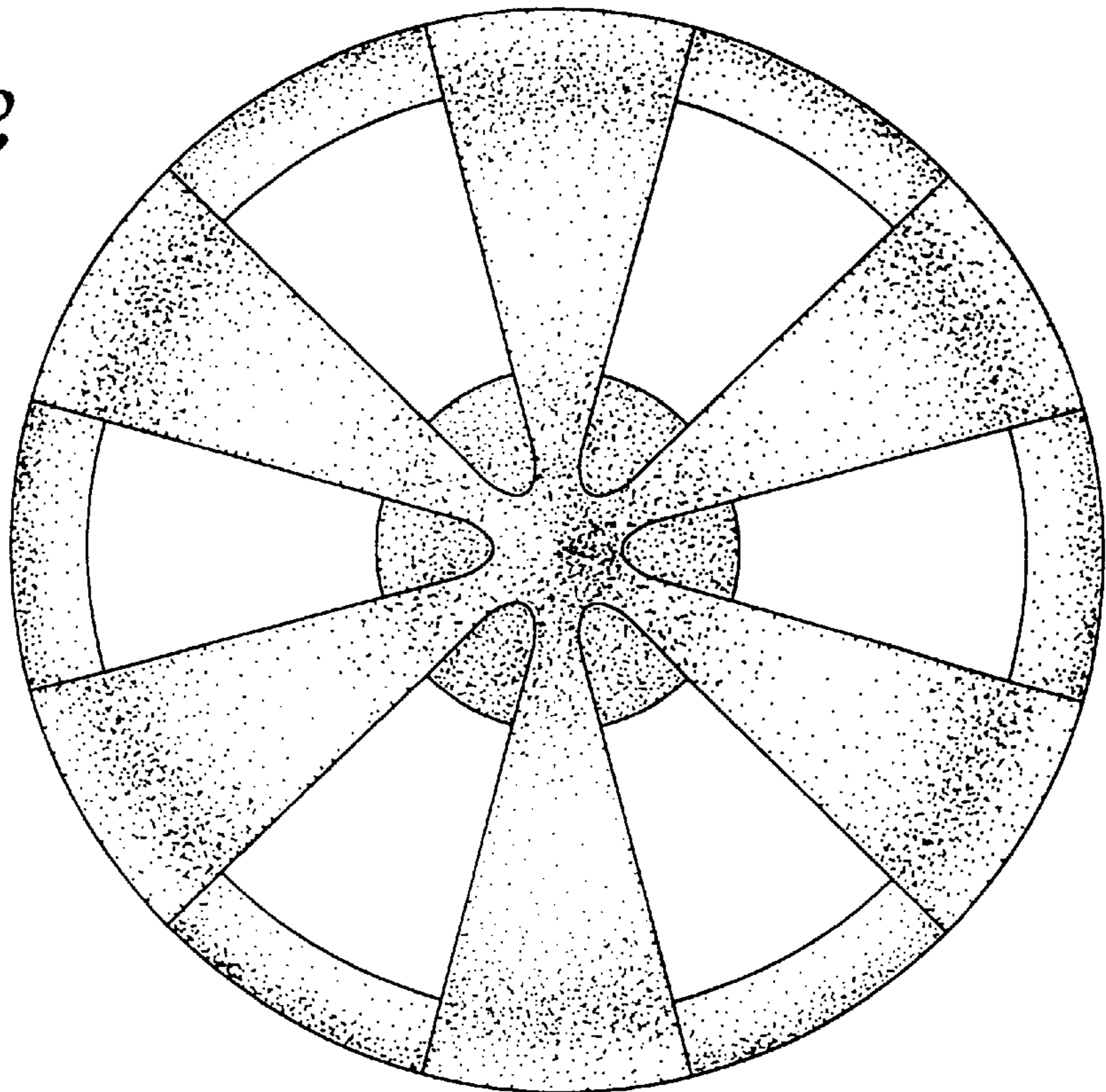
**1 Claim, 2 Drawing Sheets**



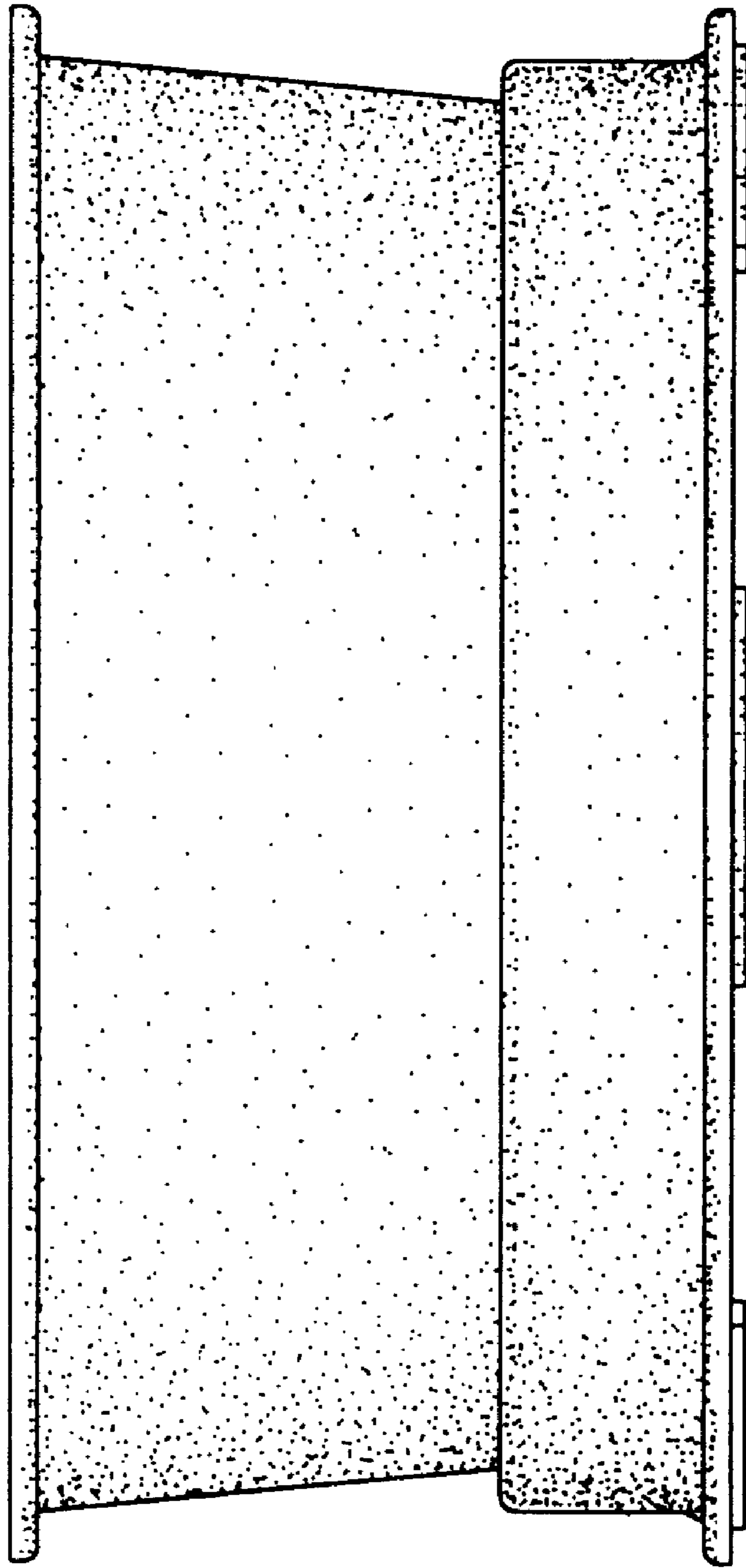
*Fig. 1*



*Fig. 2*







*Fig. 3*