



US00D467211S

(12) **United States Design Patent**
Pfeiffer et al.

(10) **Patent No.:** **US D467,211 S**

(45) **Date of Patent:** **** Dec. 17, 2002**

(54) **SURFACE CONFIGURATION OF A DOOR FOR A VEHICLE**

(75) Inventors: **Peter Pfeiffer**, Boeblingen (DE); **Murat Guenak**, Ehningen (DE); **Stephen Mattin**, Sindelfingen (DE); **Christopher Benjamin**, Newport Beach, CA (US)

(73) Assignee: **DaimlerChrysler AG**, Stuttgart (DE)

(**) Term: **14 Years**

(21) Appl. No.: **29/162,836**

(22) Filed: **Jun. 24, 2002**

(30) **Foreign Application Priority Data**

Dec. 24, 2001 (DE) 401 11 152

(51) **LOC (7) Cl.** **12-16**

(52) **U.S. Cl.** **D12/195**

(58) **Field of Search** D12/195, 190;
49/501, 502; 296/37.1, 37.13, 149, 153,
146.1

(56) **References Cited**

U.S. PATENT DOCUMENTS

- D338,865 S * 8/1993 Lim D12/195
- D348,644 S * 7/1994 Lim D12/195
- D382,528 S * 8/1997 Hellhake et al. D12/195
- D387,024 S * 12/1997 Hellhake et al. D12/195
- D409,965 S * 5/1999 Mueller et al. D12/195

- D411,157 S * 6/1999 Sacco et al. D12/195
- D415,461 S * 10/1999 Sacco et al. D12/195
- D433,978 S * 11/2000 Tsay D12/195
- D434,710 S * 12/2000 Tsay D12/195
- D435,003 S * 12/2000 Tsay D12/195
- D458,883 S * 6/2002 Tsay et al. D12/195

* cited by examiner

Primary Examiner—Stacia Cadmus

(74) *Attorney, Agent, or Firm*—Crowell & Moring LLP

(57) **CLAIM**

The ornamental design for a surface configuration of a door for a vehicle, as shown and described.

DESCRIPTION

FIG. 1 is a perspective view of a first embodiment of a surface configuration of a door for a vehicle according to our novel design;

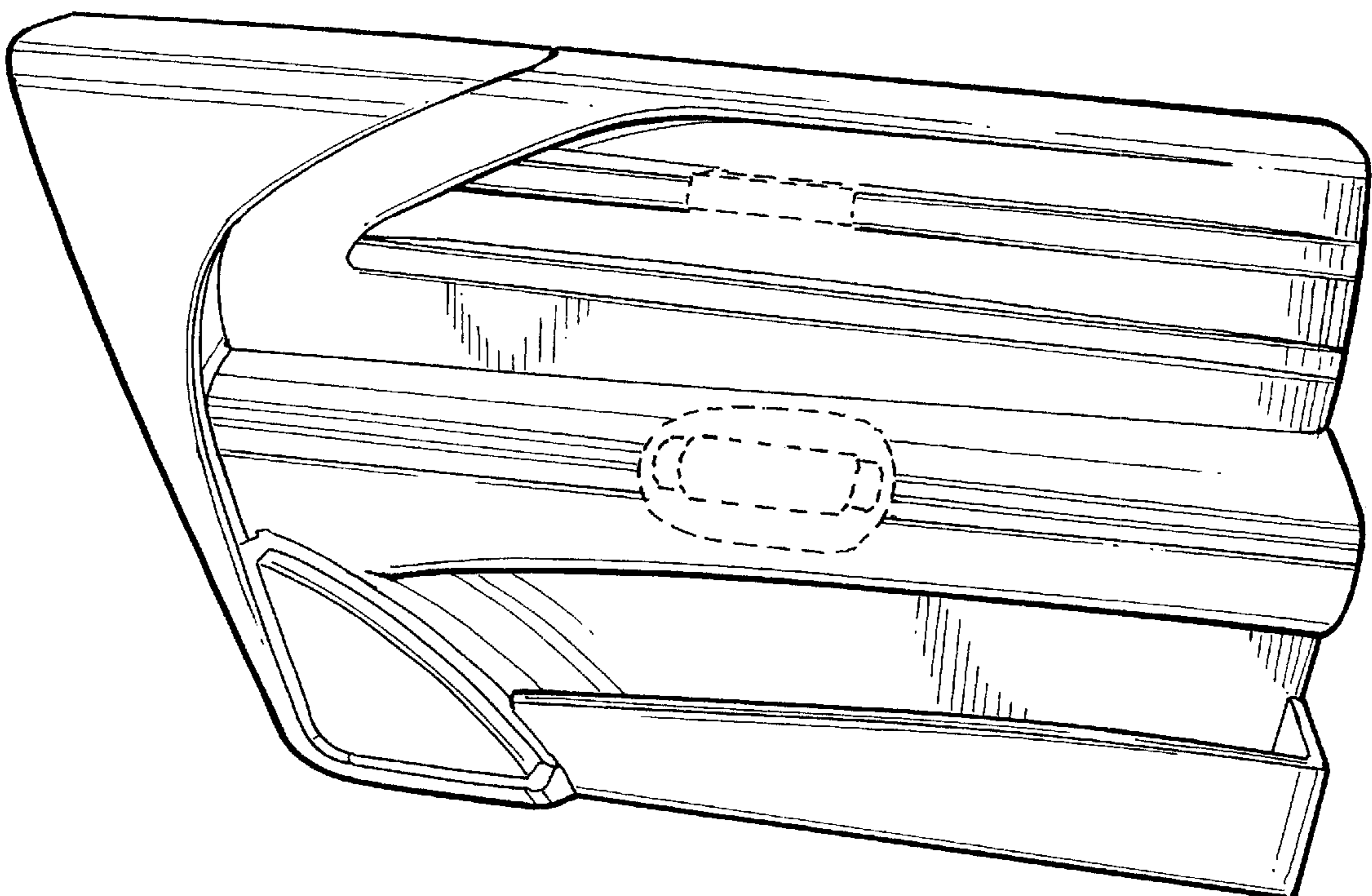
FIG. 2 is a front view of the first embodiment of the surface configuration of a door for a vehicle according to our novel design;

FIG. 3 is a perspective view of a second embodiment of the surface configuration of a door for a vehicle according to our novel design; and,

FIG. 4 is a front view of the second embodiment of the surface configuration of a door for a vehicle according to our novel design.

The dash lines included depict environment and are not part of the claimed design.

1 Claim, 2 Drawing Sheets



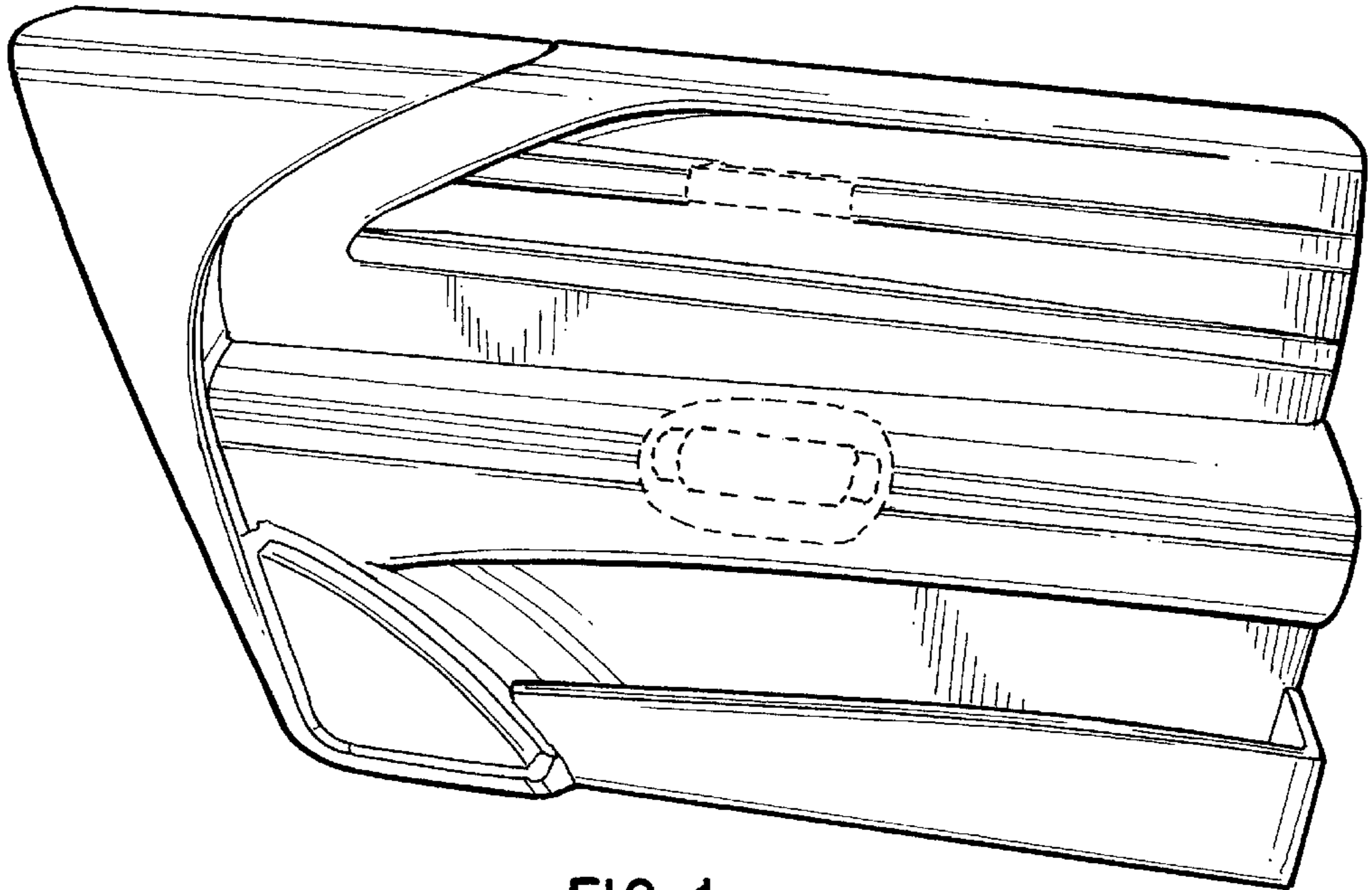


FIG. 1

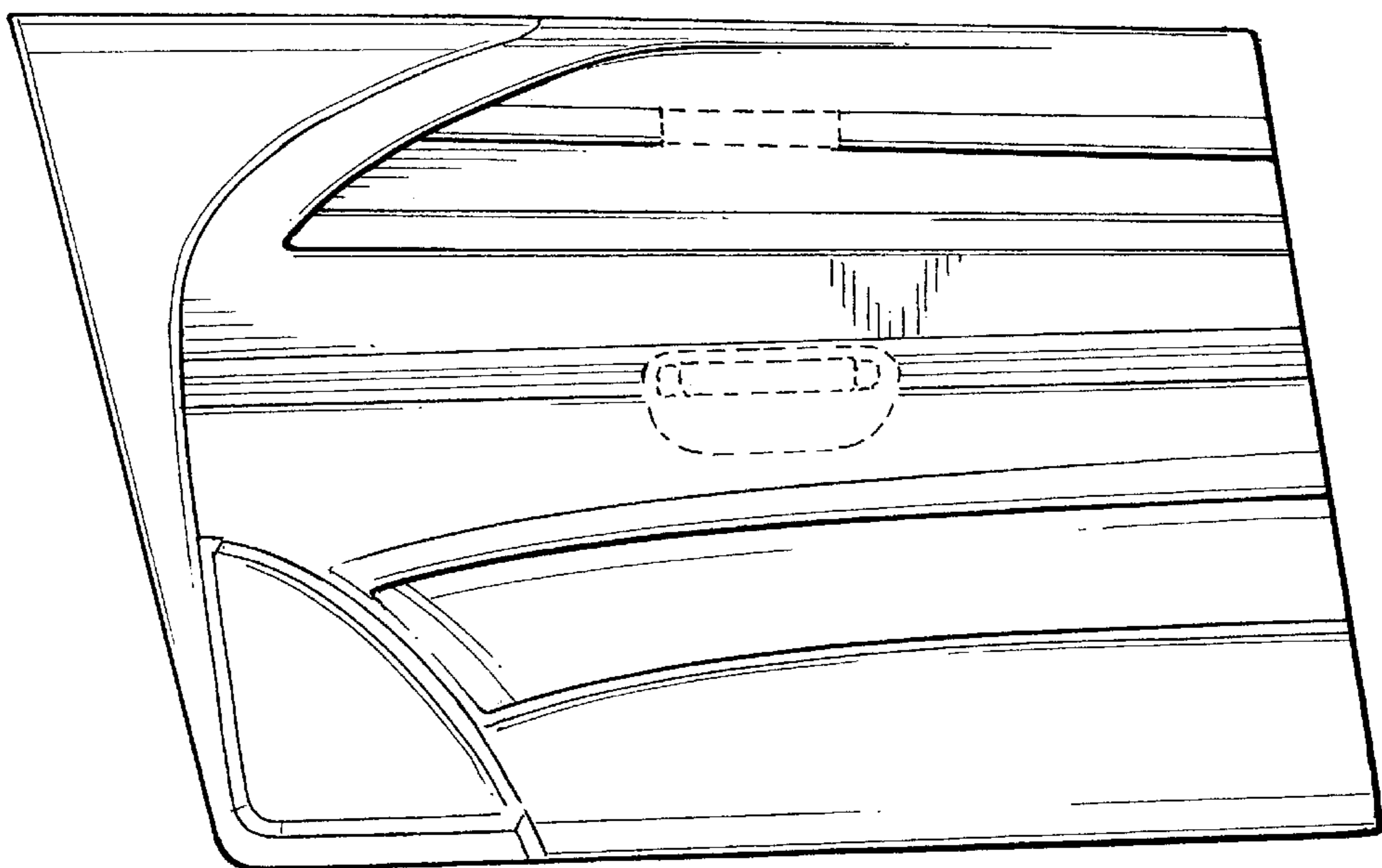


FIG. 2

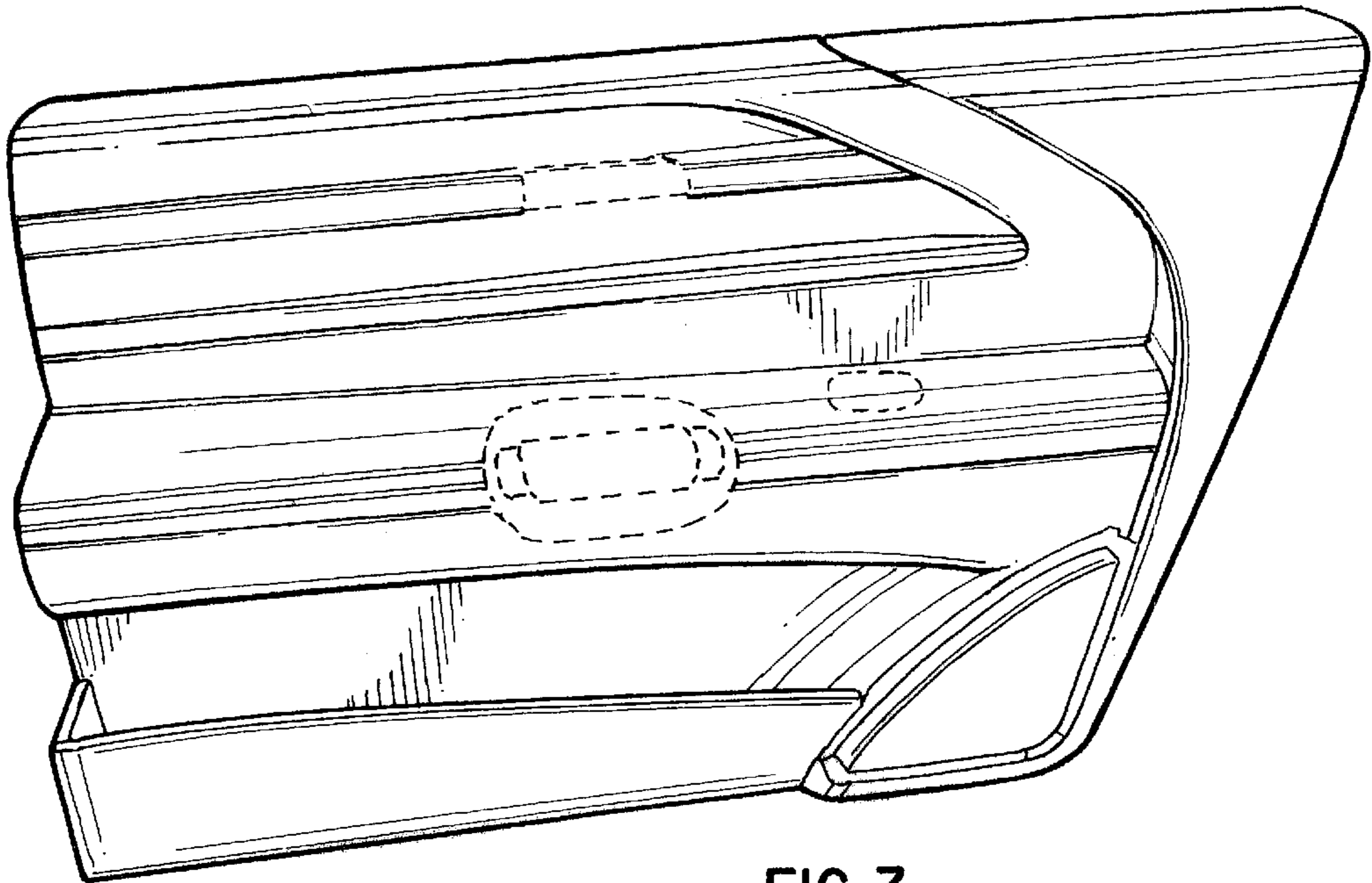


FIG. 3

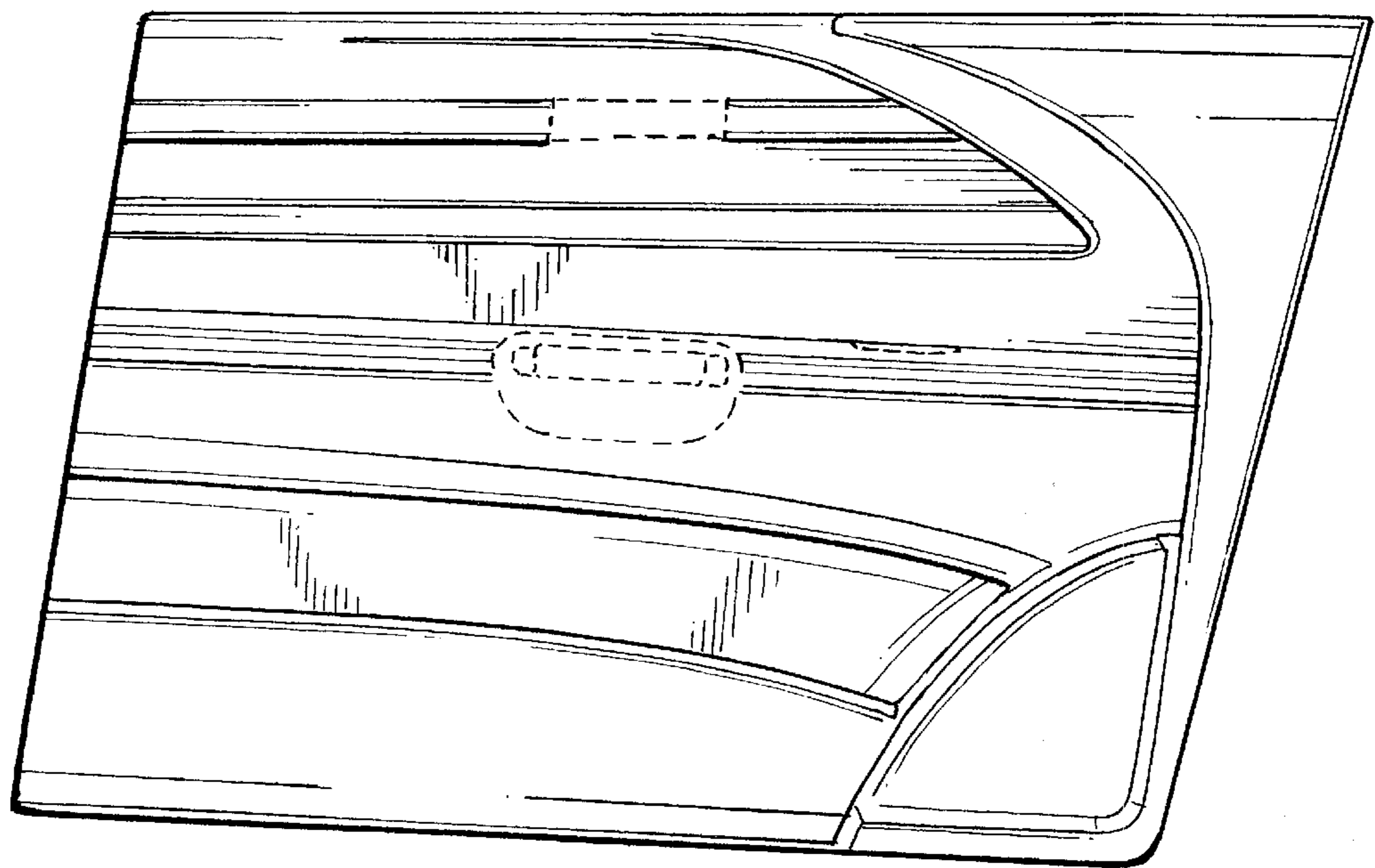


FIG. 4