



US00D467208S

(12) **United States Design Patent**
Monson

(10) **Patent No.:** **US D467,208 S**

(45) **Date of Patent:** **** Dec. 17, 2002**

(54) **SHIFTER**

(76) **Inventor:** **Brant Monson**, 3875 N. Cove Dr.,
Provo, UT (US) 84604

(**) **Term:** **14 Years**

(21) **Appl. No.:** **29/150,504**

(22) **Filed:** **Nov. 14, 2001**

(51) **LOC (7) Cl.** **12-16**

(52) **U.S. Cl.** **D12/179**

(58) **Field of Search** D12/110, 114,
D12/122, 124, 179; 280/288.4, 291; 74/473.16,
473.17, 502.2, 512, 531, 594.6, 600, 488,
489, 551.8, 551.9; 188/24.11, 24.15, 24.22

(56) **References Cited**

U.S. PATENT DOCUMENTS

D449,809 S * 10/2001 Carlson D12/179

OTHER PUBLICATIONS

Harley-Davidson® 1999 Genuine Motor Accessories™ and
Genuine Motor Parts™ catalog, chrome shift levers at the
bottom of p. 346.*

* cited by examiner

Primary Examiner—Alan P. Douglas

Assistant Examiner—Linda Brooks

(74) *Attorney, Agent, or Firm*—Morriss, Bateman,
O’Bryant & Compagni, P.C.

(57) **CLAIM**

The ornamental design for a shifter, as shown and described.

DESCRIPTION

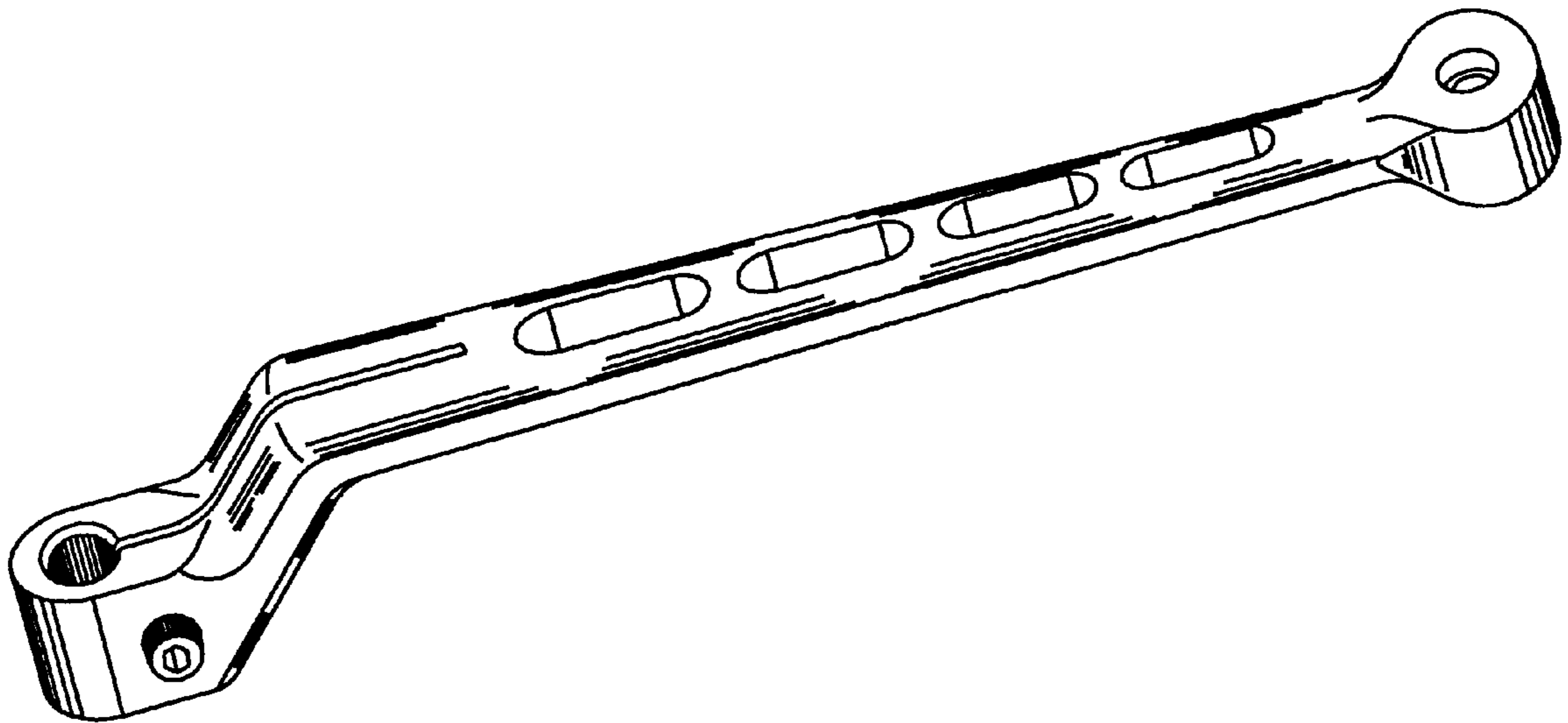
FIG. 1 shows a right side view of a shifter made in
accordance with the design of the present invention;

FIG. 2 shows a top view of the shifter of FIG. 1 made in
accordance with the present invention, the top and bottom
views being the mirror image with the exception of the
screw;

FIG. 3 shows an end view of the shifter of FIG. 1 made in
accordance with the present invention;

FIG. 4 shows a left side view of the shifter of FIG. 1; and,
FIG. 5 shows a perspective view of the shifter of the present
invention.

1 Claim, 2 Drawing Sheets



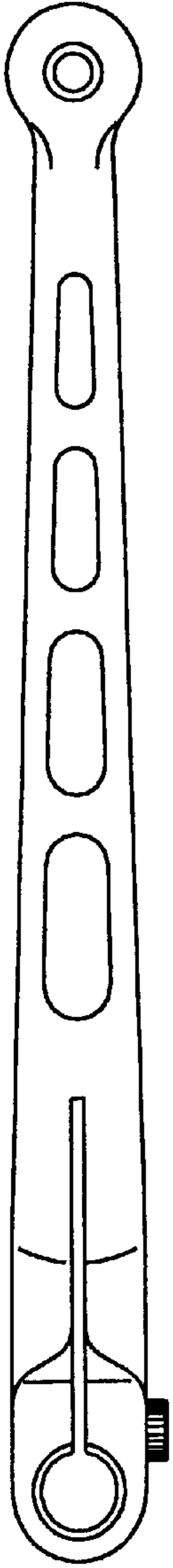


FIG. 1

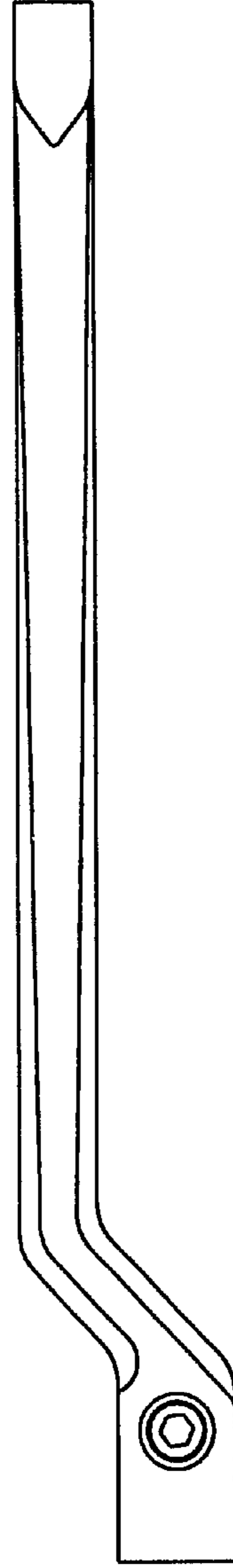


FIG. 2

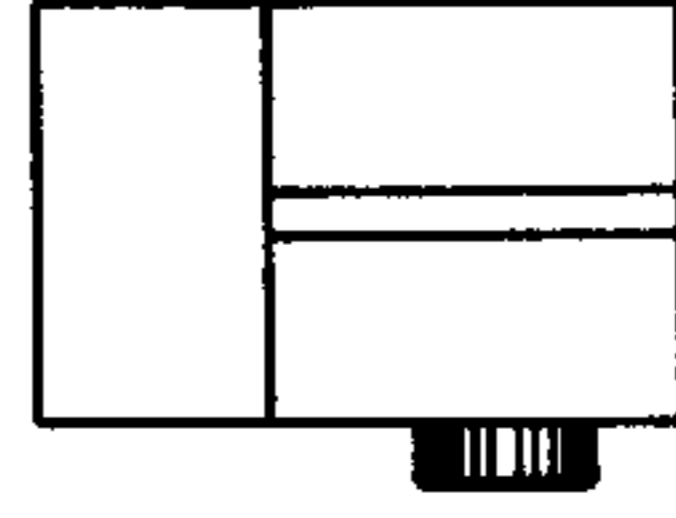


FIG. 3

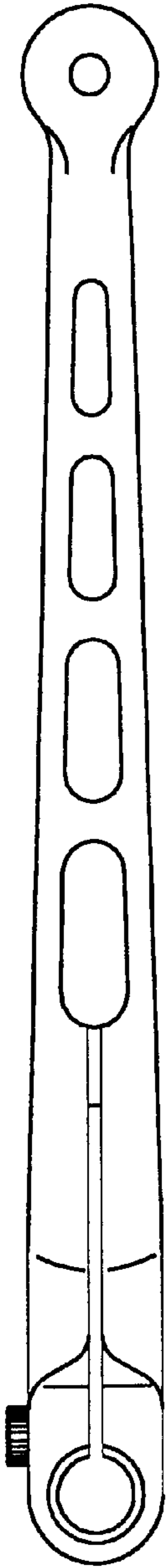


FIG. 4

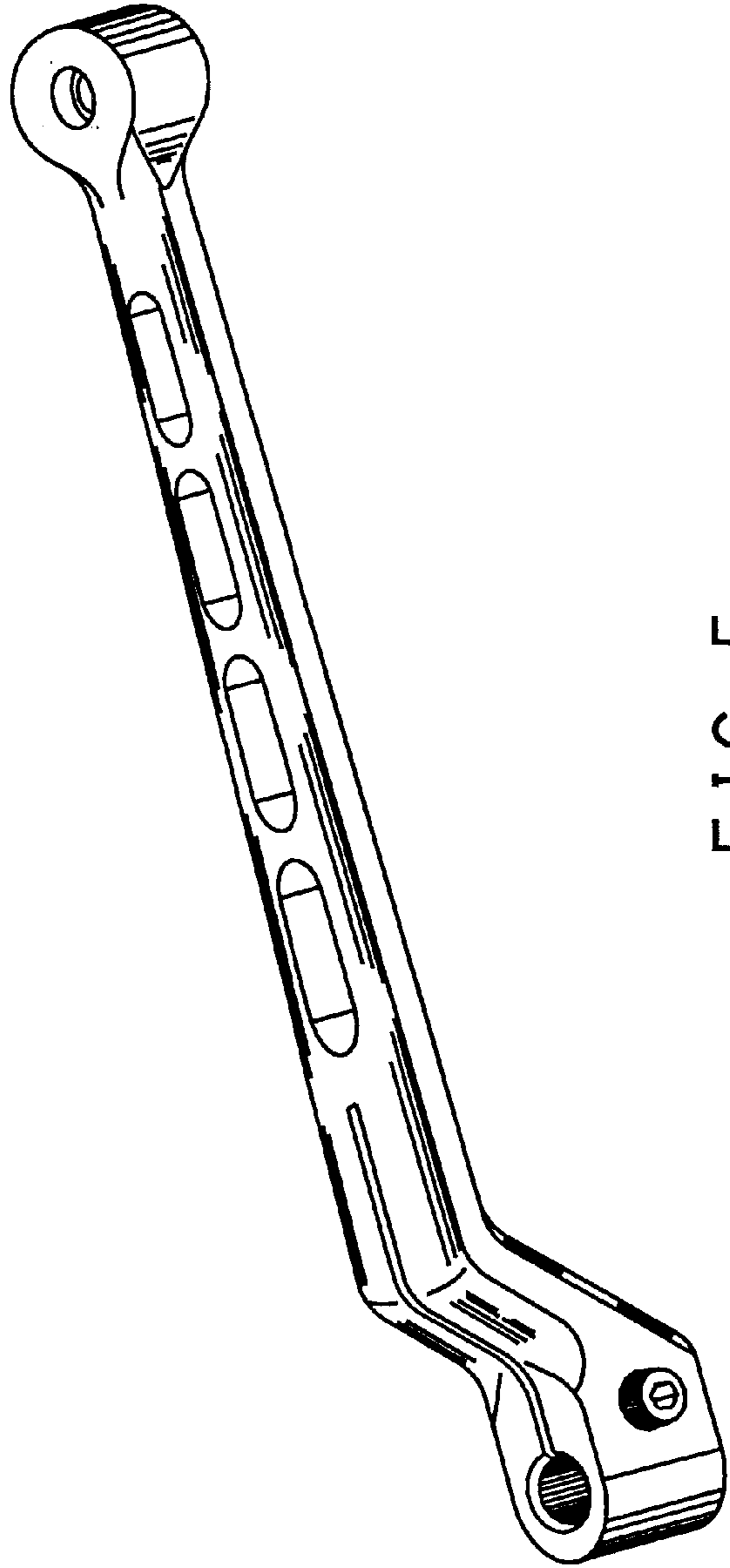


FIG. 5