



US00D467203S

(12) **United States Design Patent**
Potter et al.

(10) **Patent No.:** **US D467,203 S**

(45) **Date of Patent:** **** Dec. 17, 2002**

(54) **RECUMBENT BICYCLE FRAME**

(76) Inventors: **Adam Bryant Potter**, 6215-B
Evergreen St., Houston, TX (US)
77081; **Daniel Barnett Savitzky**,
6215-B Evergreen St., Houston, TX
(US) 77081

(**) Term: **14 Years**

(21) Appl. No.: **29/149,043**

(22) Filed: **Oct. 1, 2001**

(51) **LOC (7) Cl.** **12-11**

(52) **U.S. Cl.** **D12/111**

(58) **Field of Search** D12/111; 280/274,
280/278, 281.13, 288.1-288.3, 283-288,
267

(56) **References Cited**

U.S. PATENT DOCUMENTS

D293,660 S * 1/1988 Foehner D12/111
D411,970 S * 7/1999 Ullman et al. D12/111

* cited by examiner

Primary Examiner—Alan P. Douglas
Assistant Examiner—Linda Brooks

(74) *Attorney, Agent, or Firm*—Daniel N. Lundeen;
Lundeen & Arismendi, L.L.P.

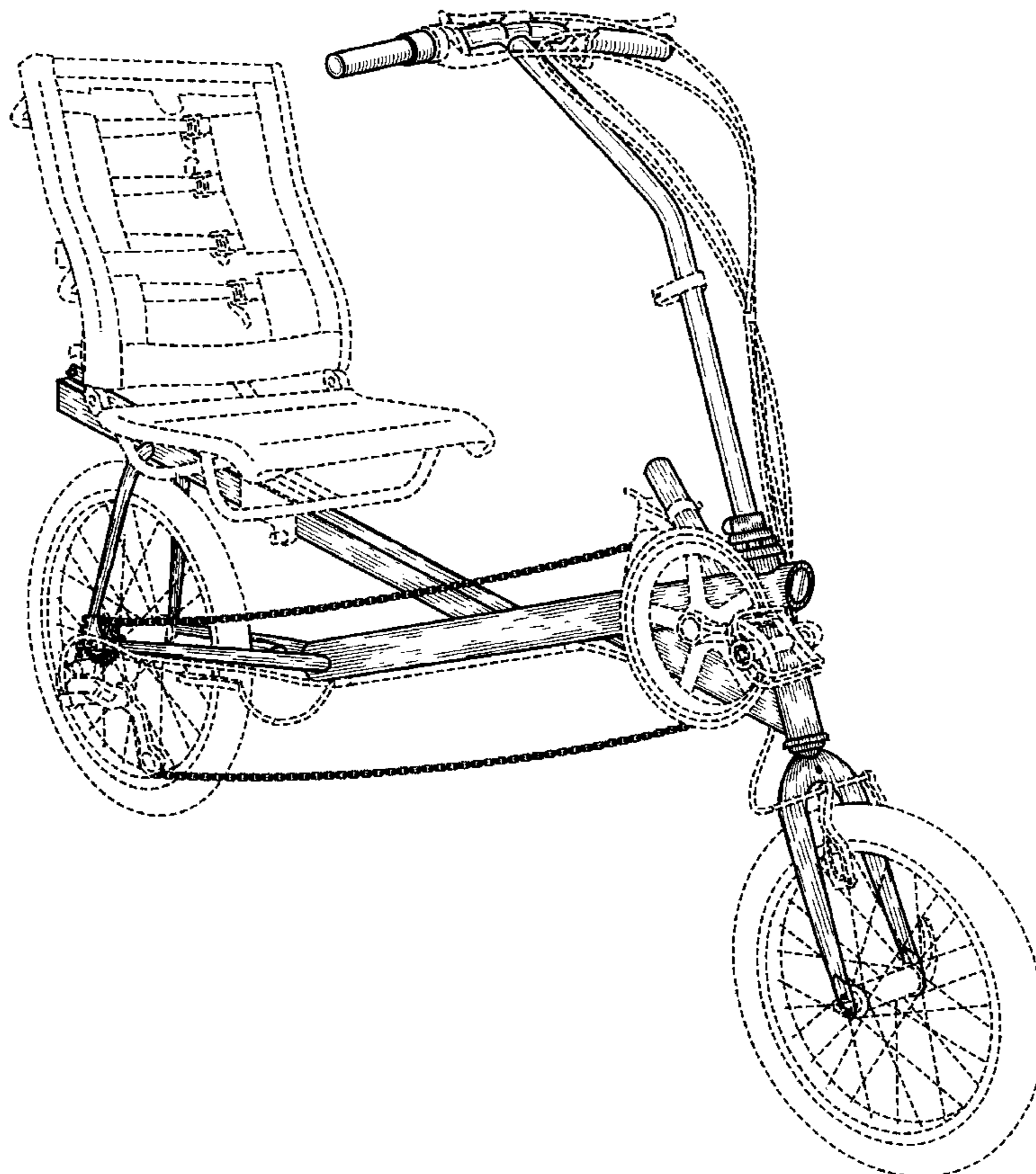
(57) **CLAIM**

The ornamental design for a recumbent bicycle frame, as shown and described.

DESCRIPTION

FIG. 1 is a perspective view of a recumbent bicycle frame with the front wheel to the right, showing our new design; FIG. 2 is a side elevational view of a recumbent bicycle frame with the rear wheels on the left and the front wheels on the right, showing our new design; FIG. 3 is a side elevational view of a recumbent bicycle frame with the rear wheels on the right and the front wheels on the left, showing our new design; FIG. 4 is a front elevational perspective view thereof, showing our new design; FIG. 5 is a rear elevational perspective view thereof, showing our new design; FIG. 6 is a top perspective view of a recumbent bicycle frame thereof, showing our new design; and, FIG. 7 is a bottom perspective view of a recumbent bicycle frame thereof, showing our new design.
The broken lines shown form no part of the claimed design.

1 Claim, 5 Drawing Sheets



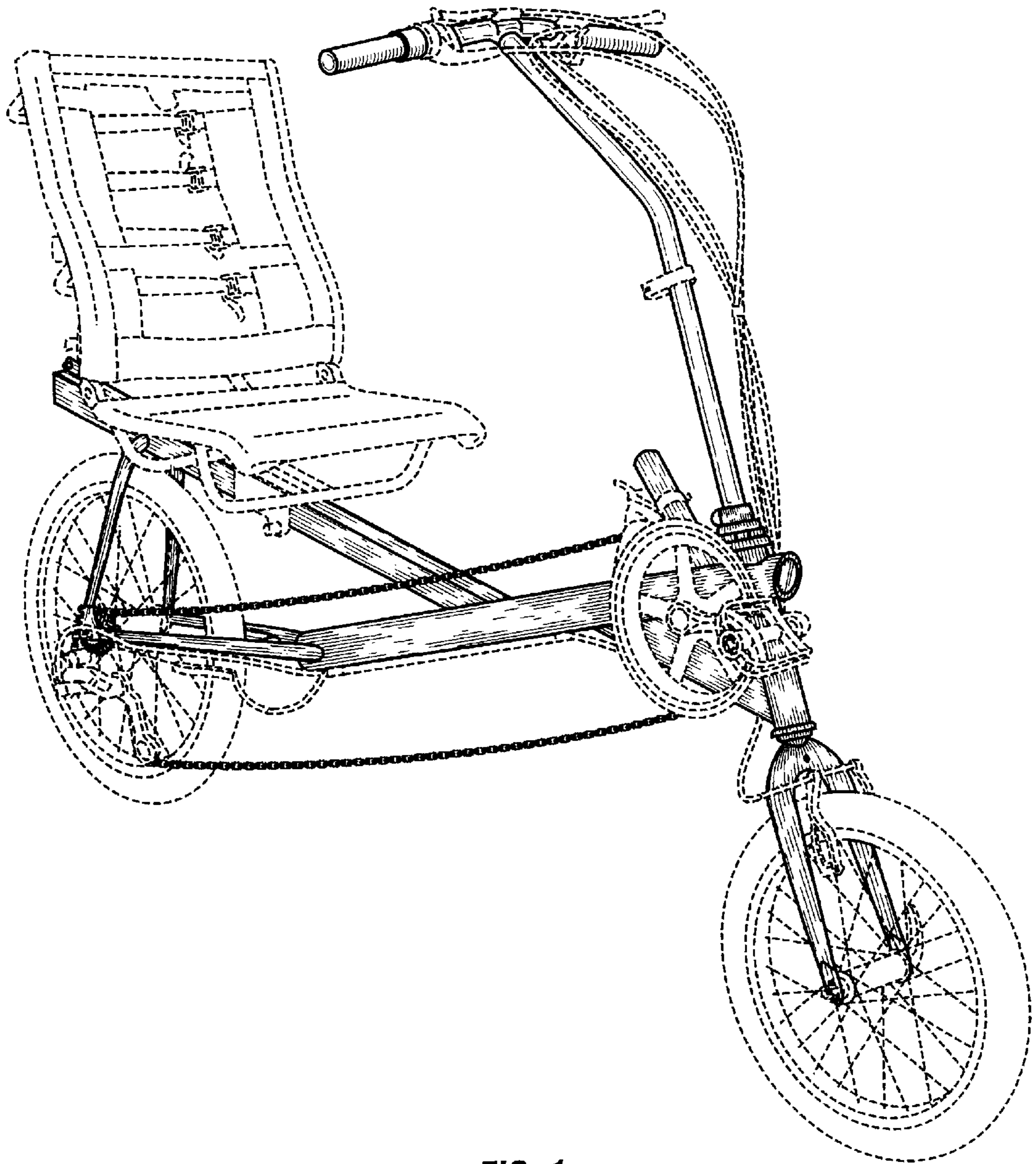


FIG. 1

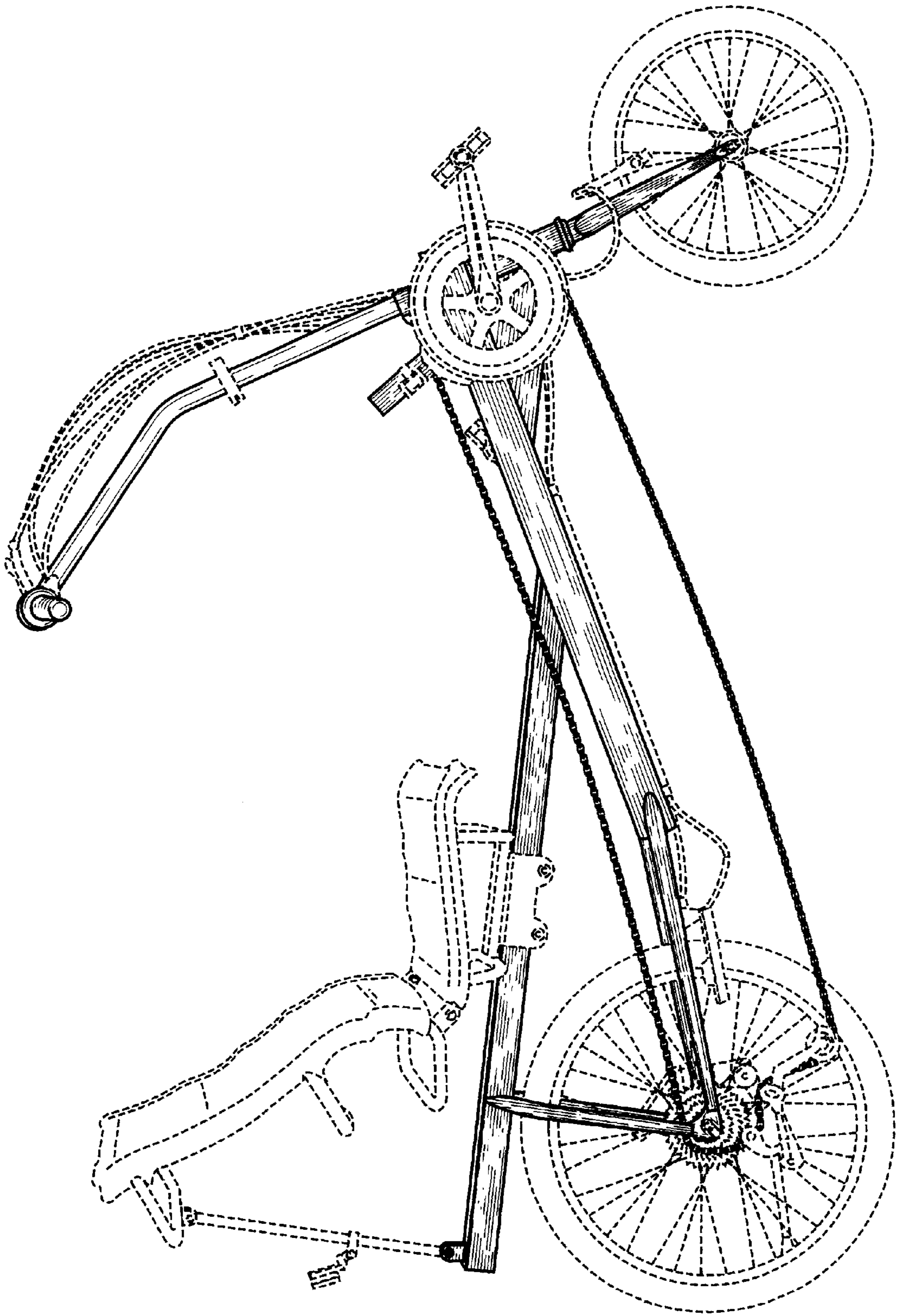


FIG. 2

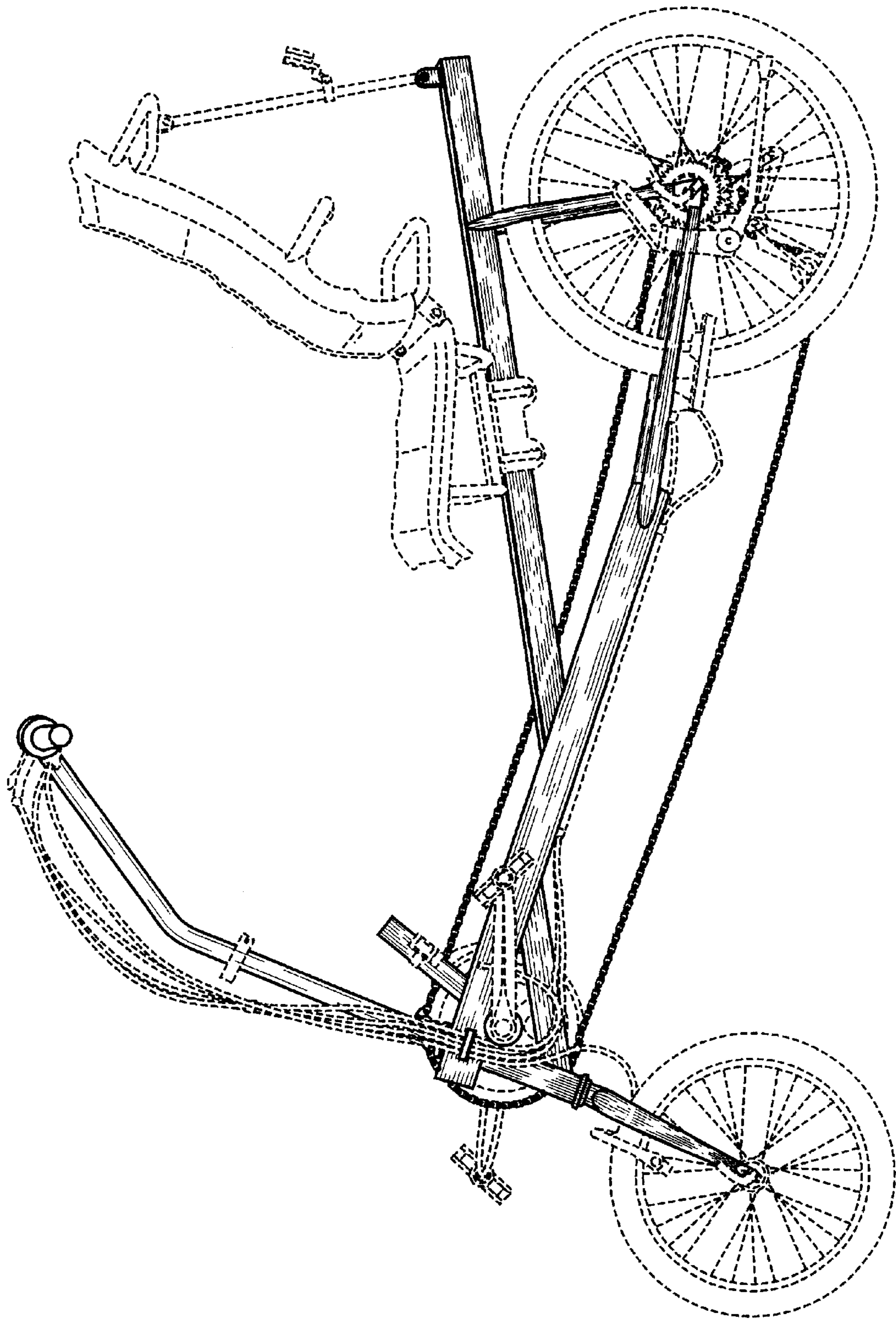


FIG. 3

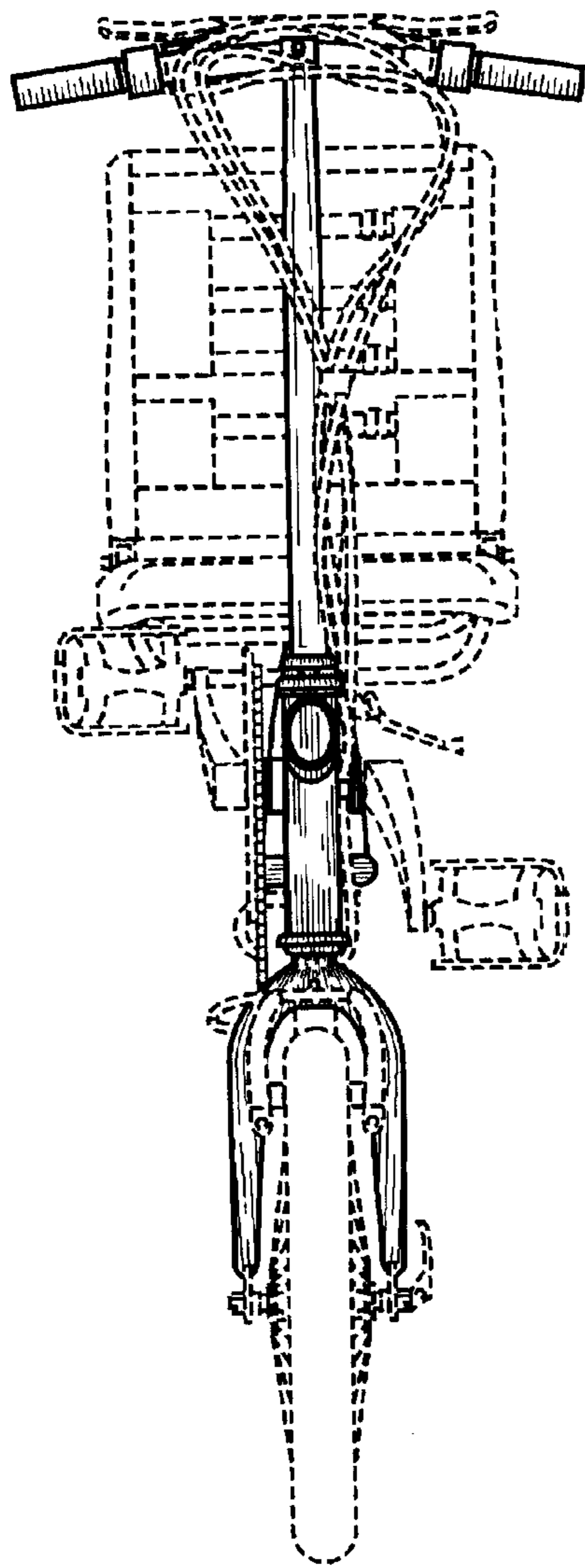


FIG. 4

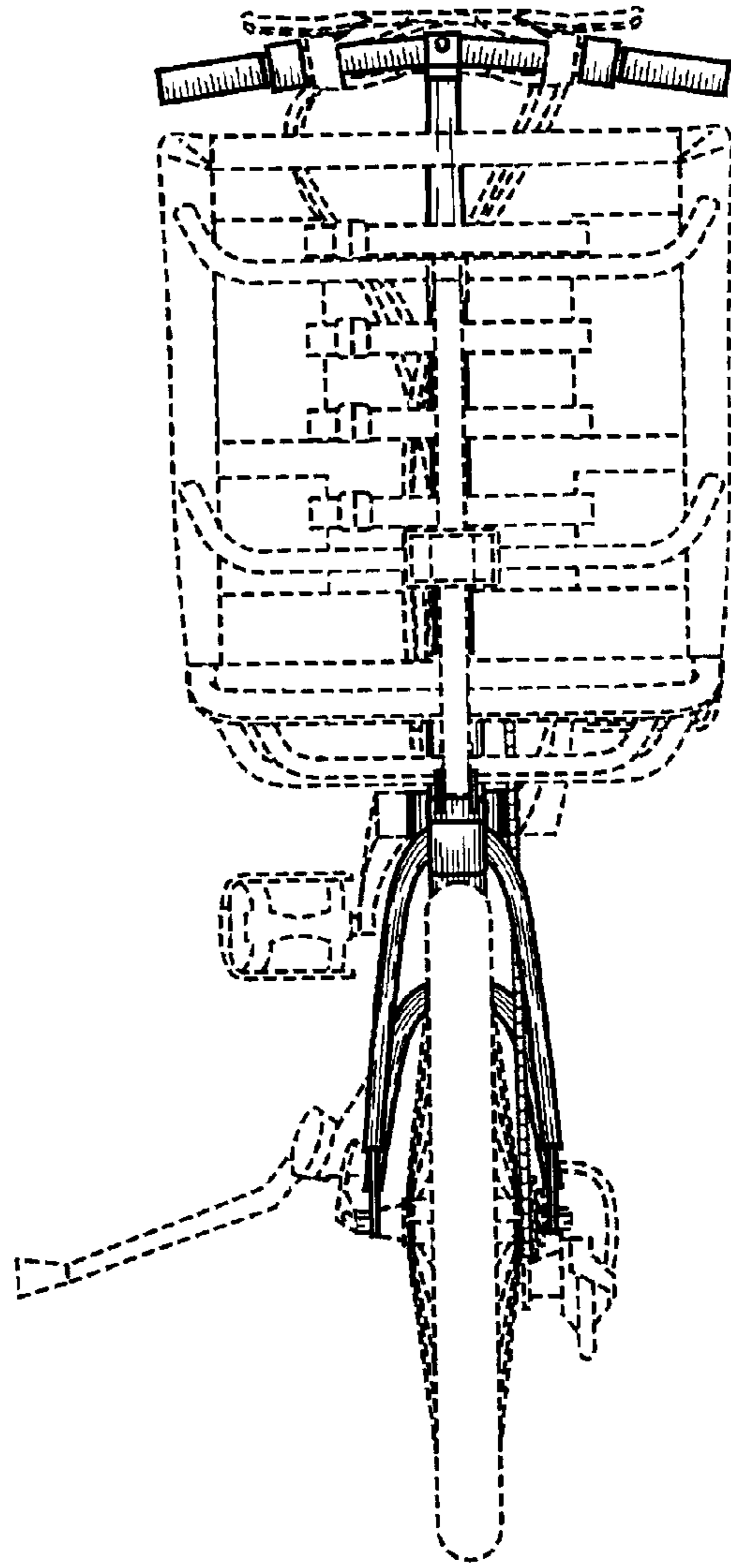


FIG. 5

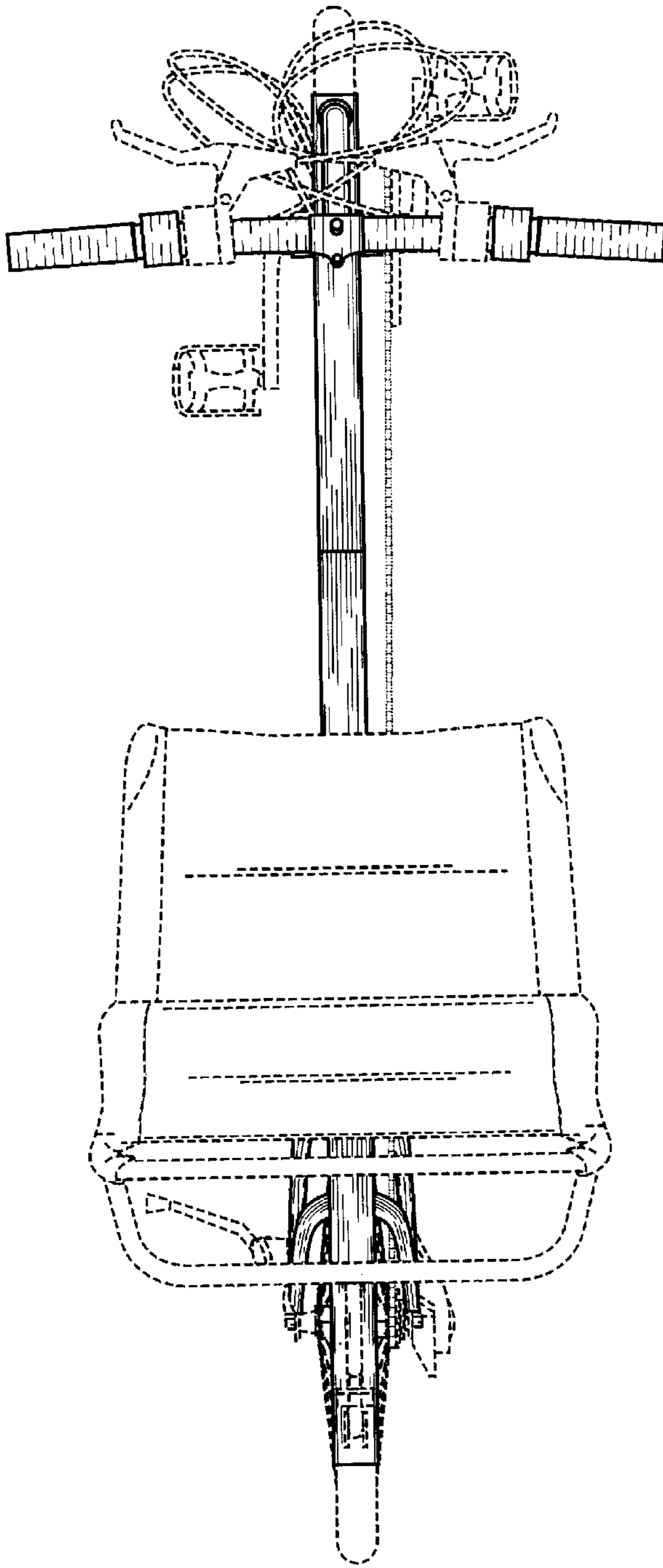


FIG. 6

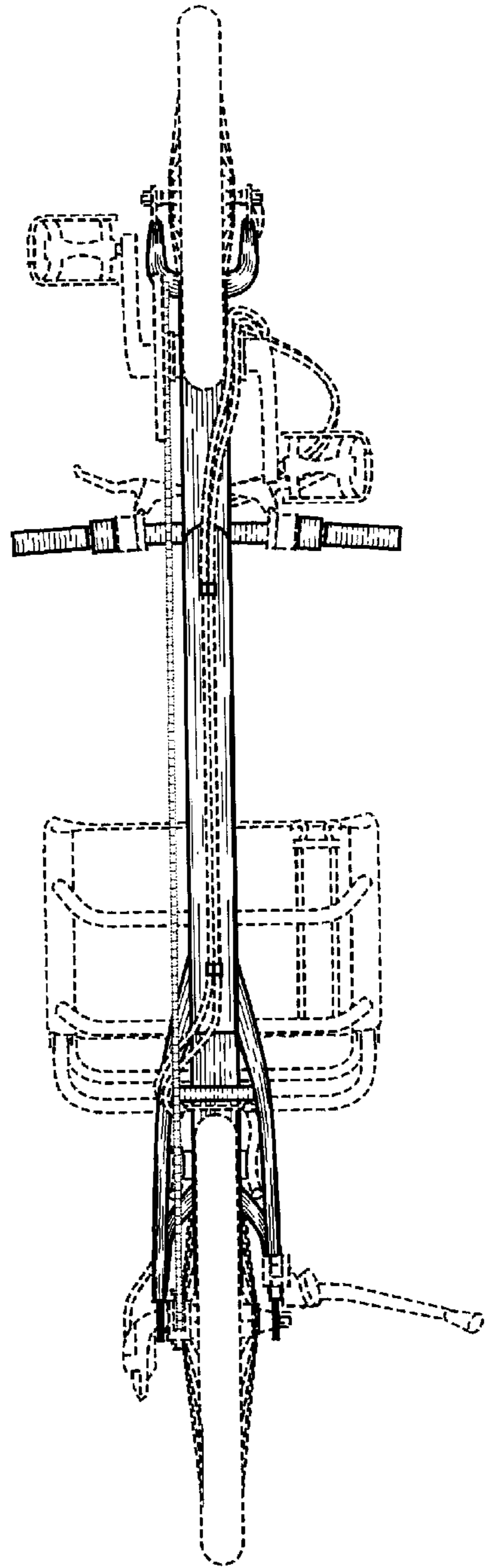


FIG. 7