



US00D467191S

(12) **United States Design Patent**
Hill et al.

(10) **Patent No.:** **US D467,191 S**

(45) **Date of Patent:** **** Dec. 17, 2002**

(54) **END PLATE**

6,319,306 B1 * 11/2001 Edlund et al. 96/7

(75) Inventors: **Charles R. Hill**, Bend, OR (US); **R. Todd Studebaker**, Bend, OR (US)

* cited by examiner

(73) Assignee: **IdaTech, LLC**, Bend, OR (US)

Primary Examiner—Antoine Duval Davis

(74) *Attorney, Agent, or Firm*—Kolisch Hartwell, P.C.

(**) Term: **14 Years**

(57) **CLAIM**

(21) Appl. No.: **29/153,022**

The ornamental design for an end plate, as shown and described.

(22) Filed: **Oct. 19, 2001**

DESCRIPTION

(51) **LOC (7) Cl.** **10-04**

FIG. 1 is an isometric view of an end plate showing the design of the present invention.

(52) **U.S. Cl.** **D10/81**

(58) **Field of Search** D10/81; 96/4, 96/7, 11, 108, 136, 147; 422/169–173, 177, 190

FIG. 2 is a top plan view of the end plate of FIG. 1; and, FIG. 3 is a side elevation view of the end plate of FIG. 1. The bottom, or interior portion, of the end plate is shown as environment in dashed lines and forms no part of the claimed design.

(56) **References Cited**

U.S. PATENT DOCUMENTS

4,942,019 A * 7/1990 Goodall et al. 422/169

1 Claim, 1 Drawing Sheet

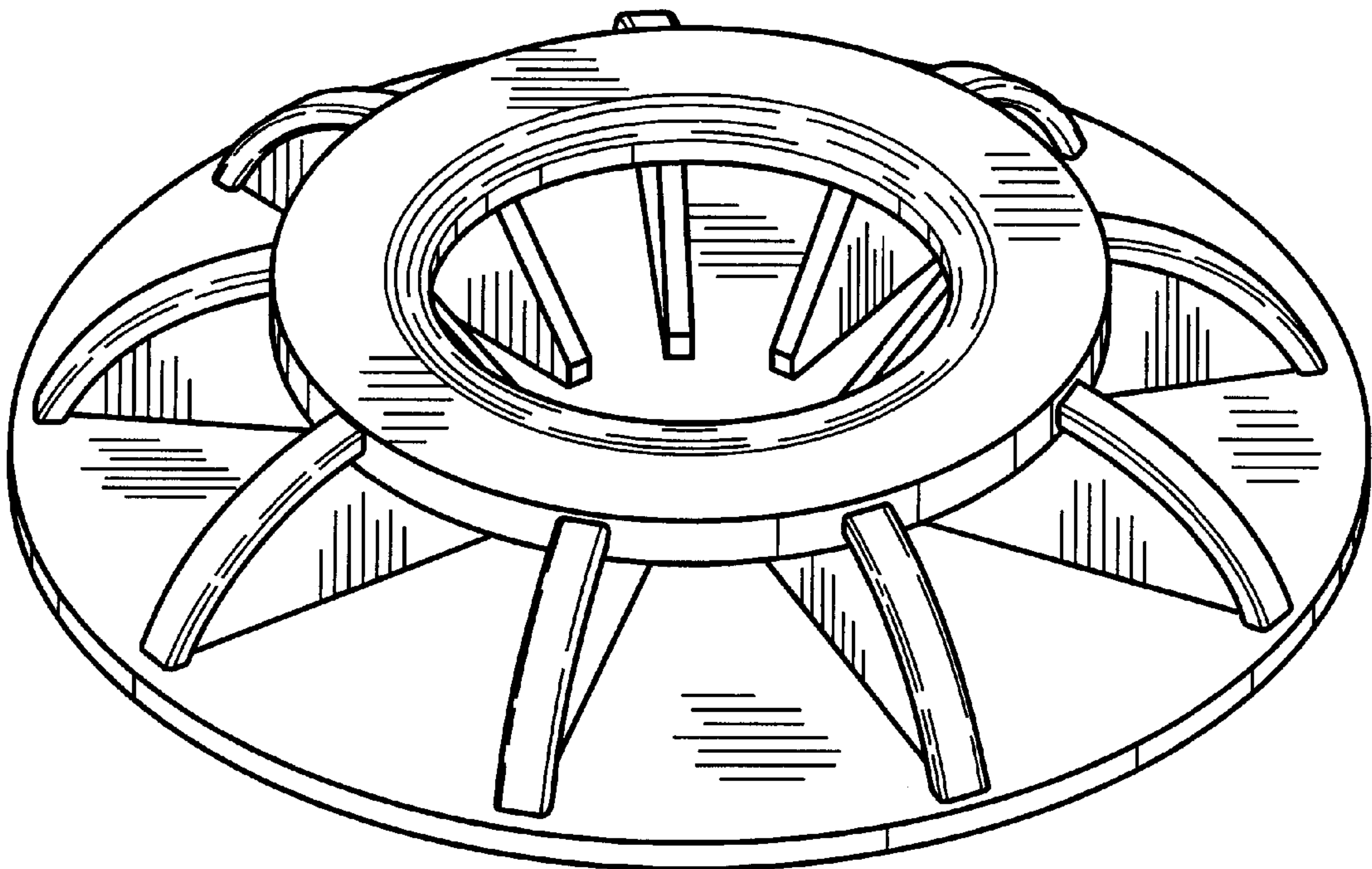


Fig. 1

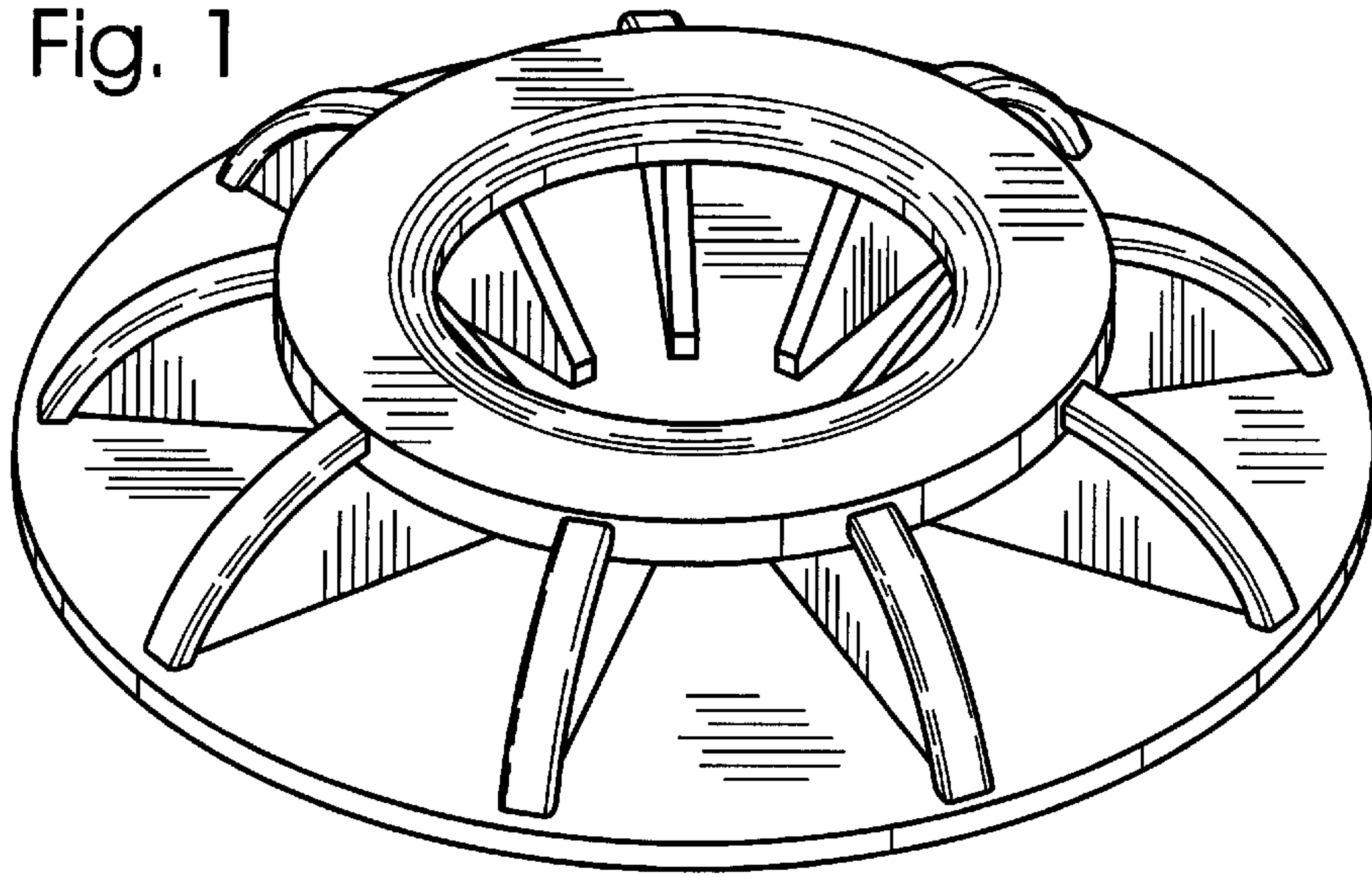


Fig. 2

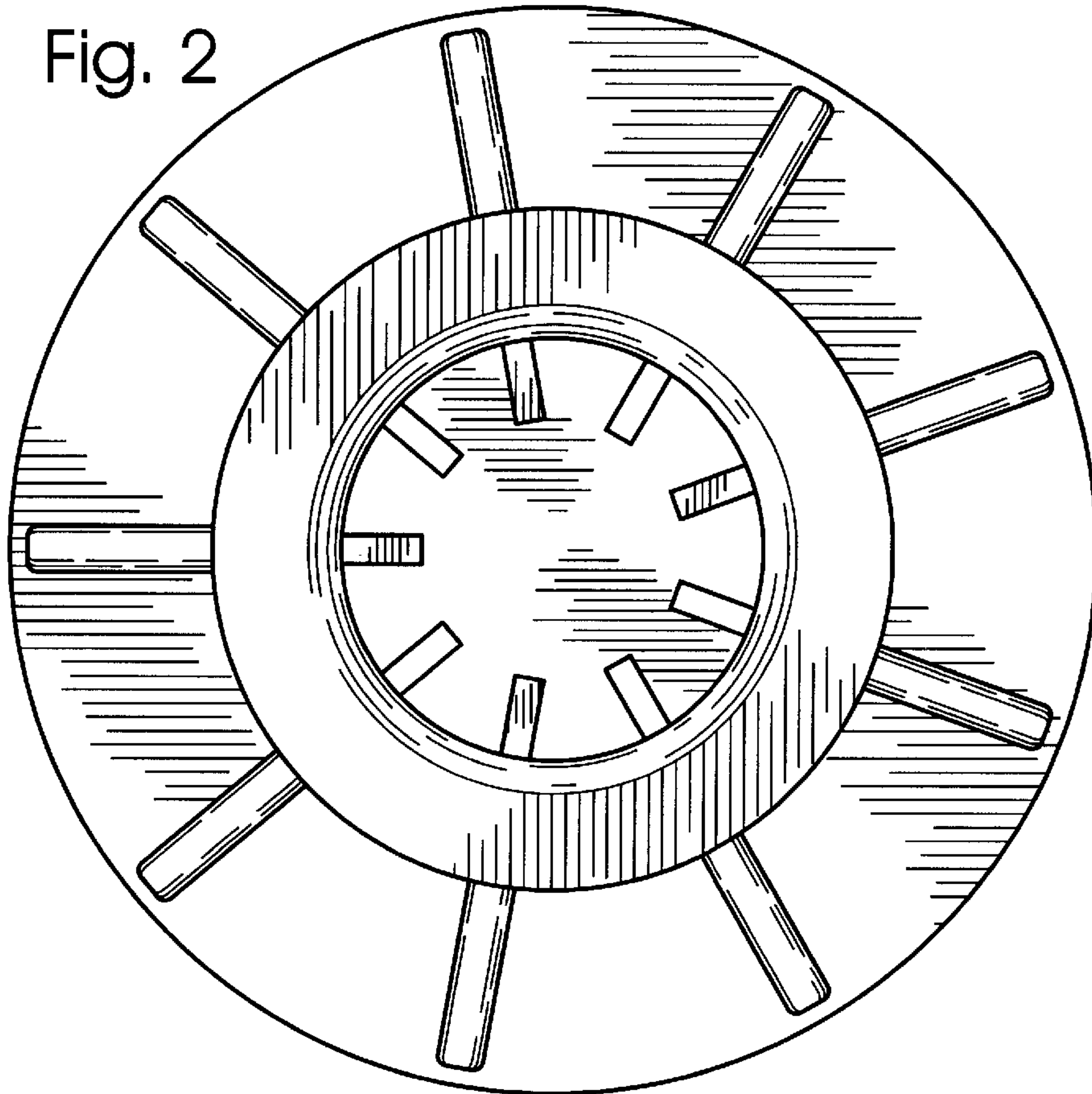


Fig. 3

