



US00D467187S

(12) **United States Design Patent**  
**Clivio**

(10) **Patent No.:** **US D467,187 S**

(45) **Date of Patent:** **\*\* Dec. 17, 2002**

(54) **WATER TIMER**

(75) Inventor: **Franco Clivio**, Erlenbach (CH)

(73) Assignee: **Gardena Kress + Kastner GmbH**  
(DE)

(\*\*) Term: **14 Years**

(21) Appl. No.: **29/155,757**

(22) Filed: **Feb. 15, 2002**

(30) **Foreign Application Priority Data**

Aug. 17, 2001 (DE) ..... 401 07 247

(51) **LOC (7) Cl.** ..... **10-03**

(52) **U.S. Cl.** ..... **D10/40**

(58) **Field of Search** ..... D10/1-40, 122-132;  
368/96-100, 107-121, 276-277, 285, 316,  
317, 10; 200/38 R, 80; 307/141 R, 141.1

(56) **References Cited**

**U.S. PATENT DOCUMENTS**

3,685,138	A	*	8/1972	Vandervelde	.....	228/150
4,992,505	A	*	2/1991	Liu	.....	524/416
D365,771	S	*	1/1996	Clivio	.....	D10/96
D377,316	S	*	1/1997	Roman et al.	.....	D10/40
5,826,619	A	*	10/1998	Roman	.....	137/624.11
D430,144	S	*	8/2000	Pritchard	.....	D14/220
D431,195	S	*	9/2000	Clivio	.....	D10/40

**OTHER PUBLICATIONS**

Pp. 58 and 59 of a catalog entitled "Gardenlife", published by Claber S.p.A., Italy, Aug. 1998.

P. 49 of a catalog published by Gilmour Group, USA, dated 1999.

Pp. 6 and 7 of a catalog published by L.R. Nelson Europe B.V., 2000.

A page of a catalog published by Hozelock Ltd, UK, dated 2001.

P. 39 of a catalog entitled "Garden Line", published by Rain Bird Europe S.A.R.L., dated 2001.

\* cited by examiner

*Primary Examiner*—Nelson C. Holtje

(74) *Attorney, Agent, or Firm*—Akerman Senterfitt

(57) **CLAIM**

The ornamental design for a water timer, as shown and described.

**DESCRIPTION**

FIG. 1: is a side perspective view of a water timer showing my new design;

FIG. 2: is a front elevation view thereof;

FIG. 3: is a rear elevation view thereof;

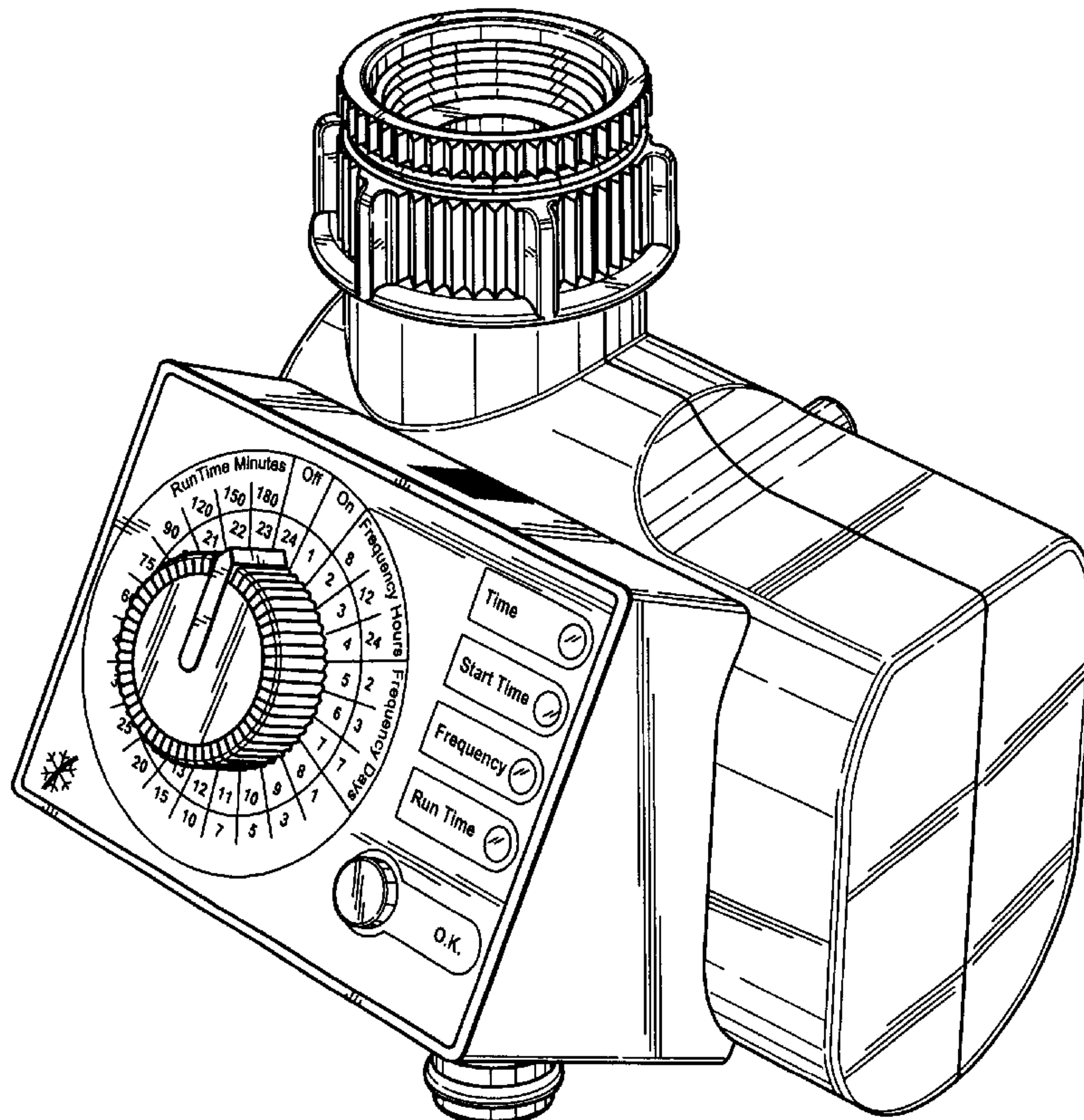
FIG. 4: is a side elevation view thereof;

FIG. 5: is the opposite side elevation view thereof;

FIG. 6: is a bottom plan view thereof; and,

FIG. 7: is a top plan view thereof.

**1 Claim, 7 Drawing Sheets**



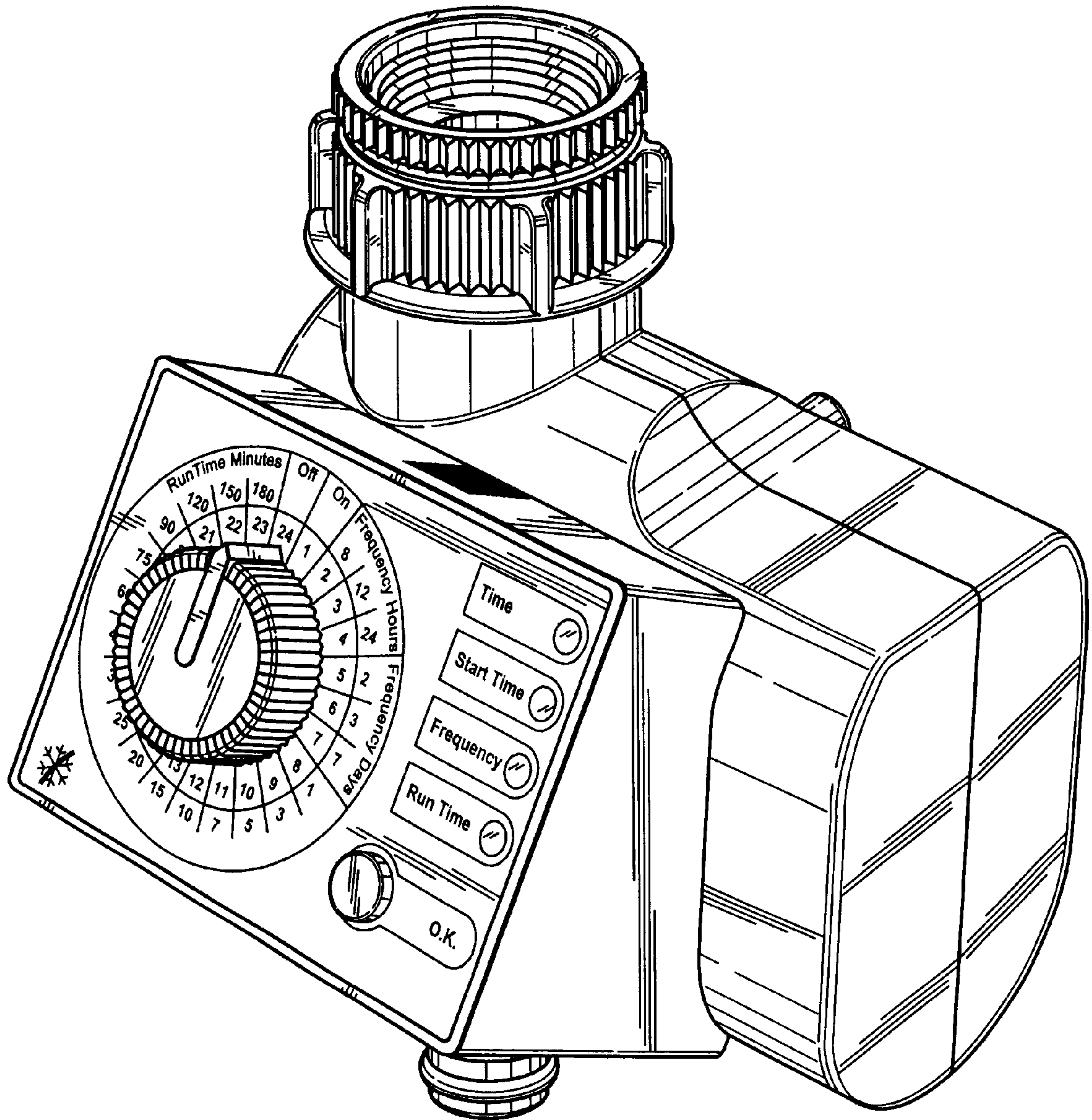
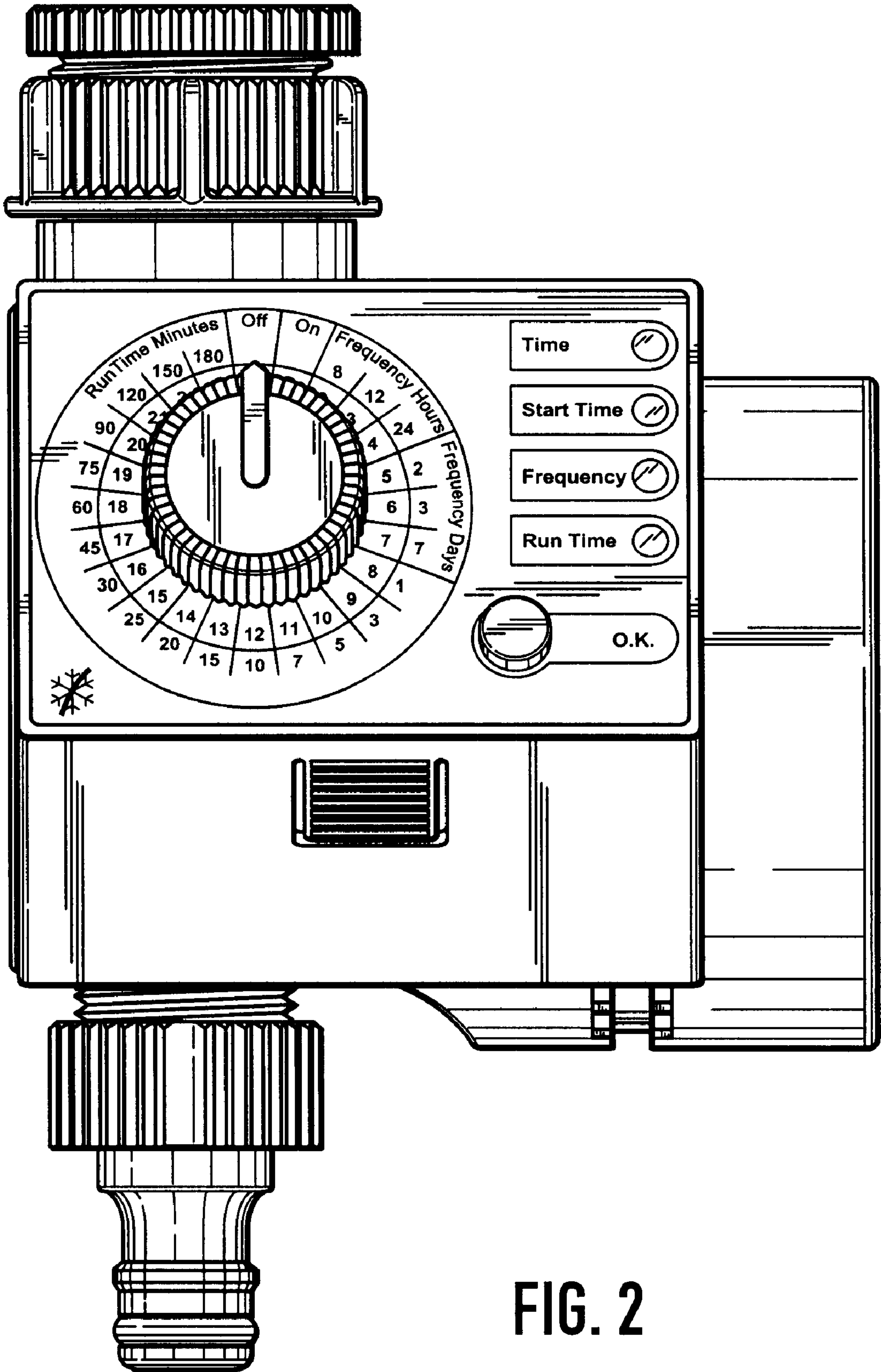
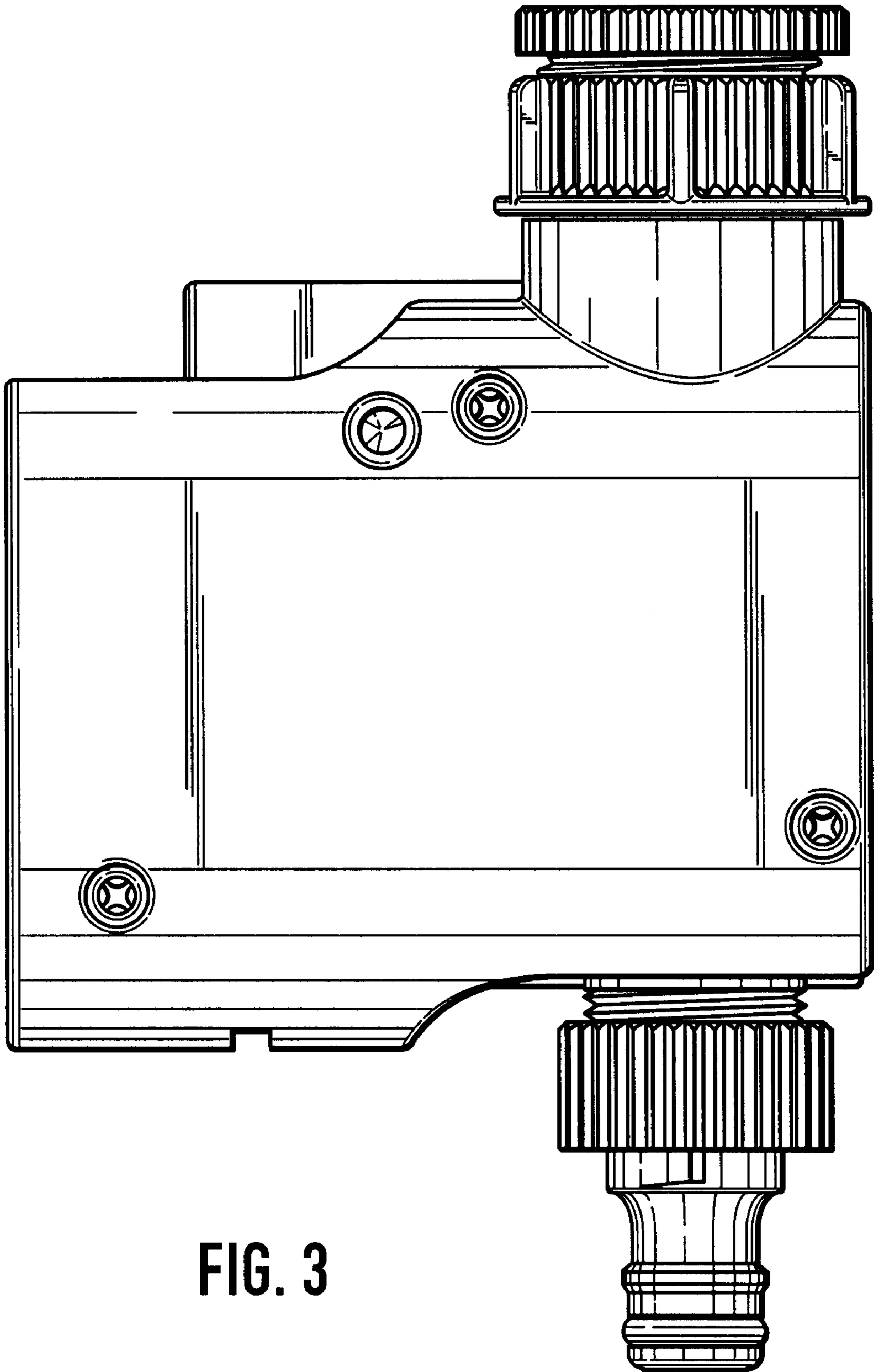


FIG. 1







**FIG. 3**

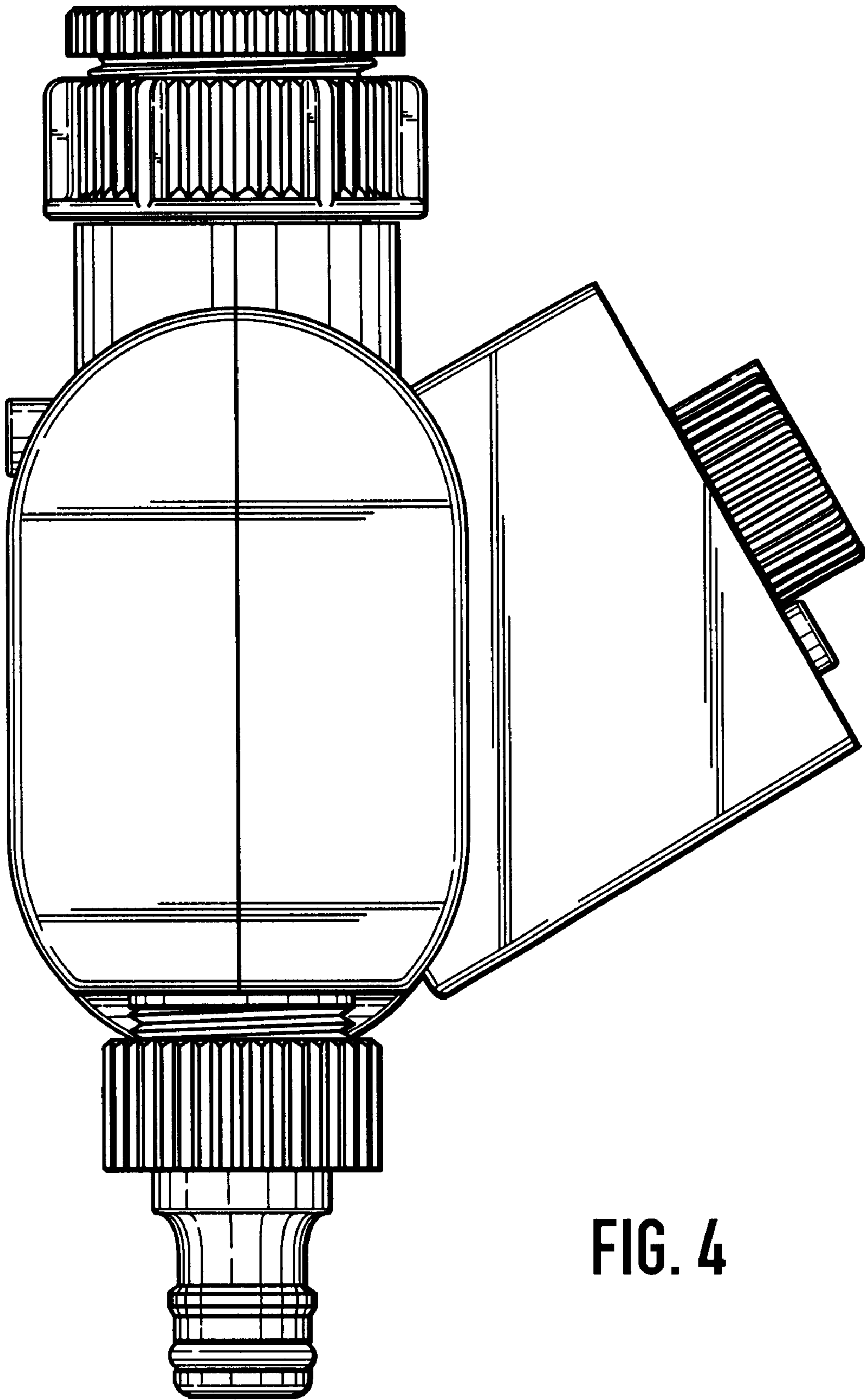


FIG. 4

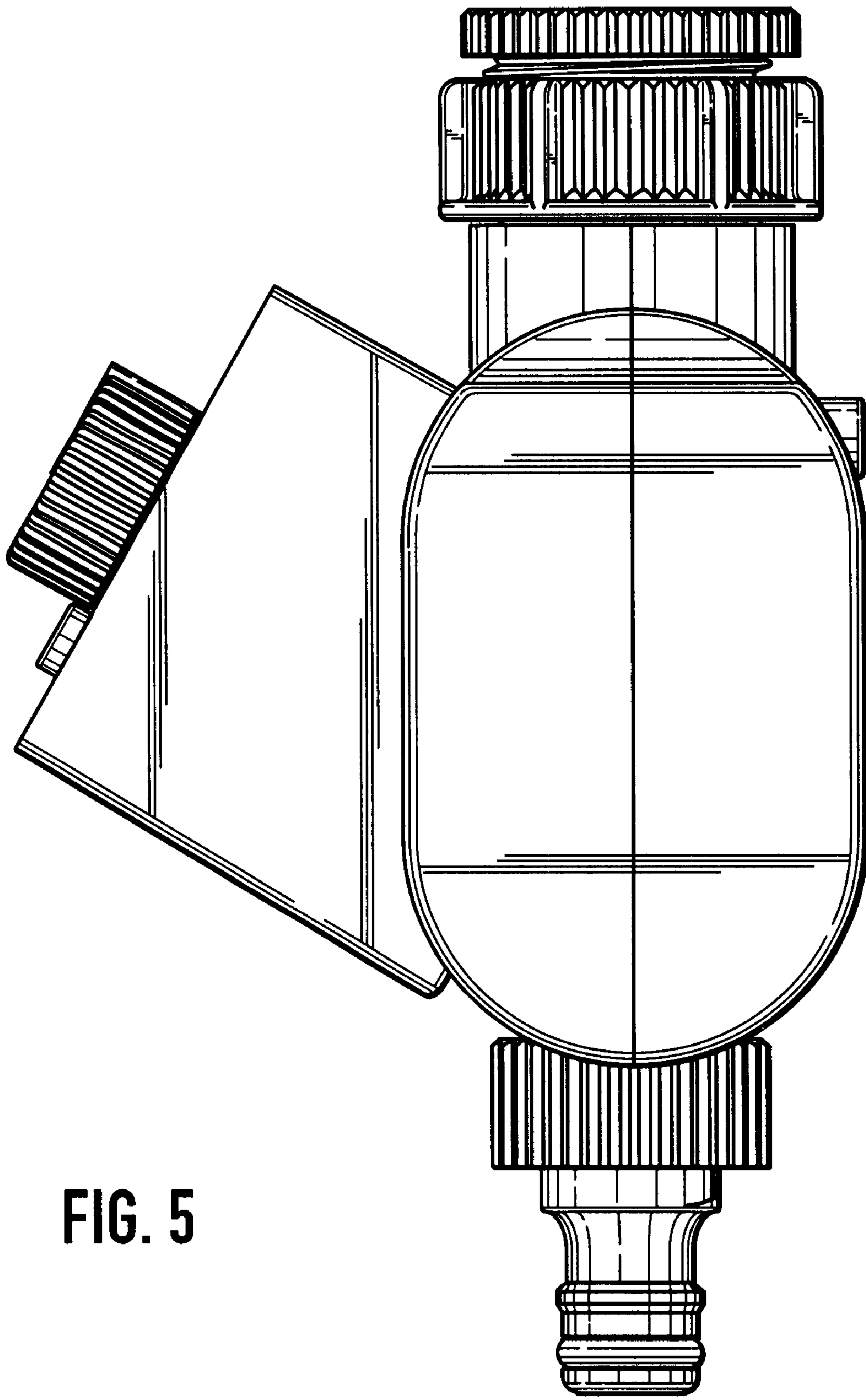


FIG. 5

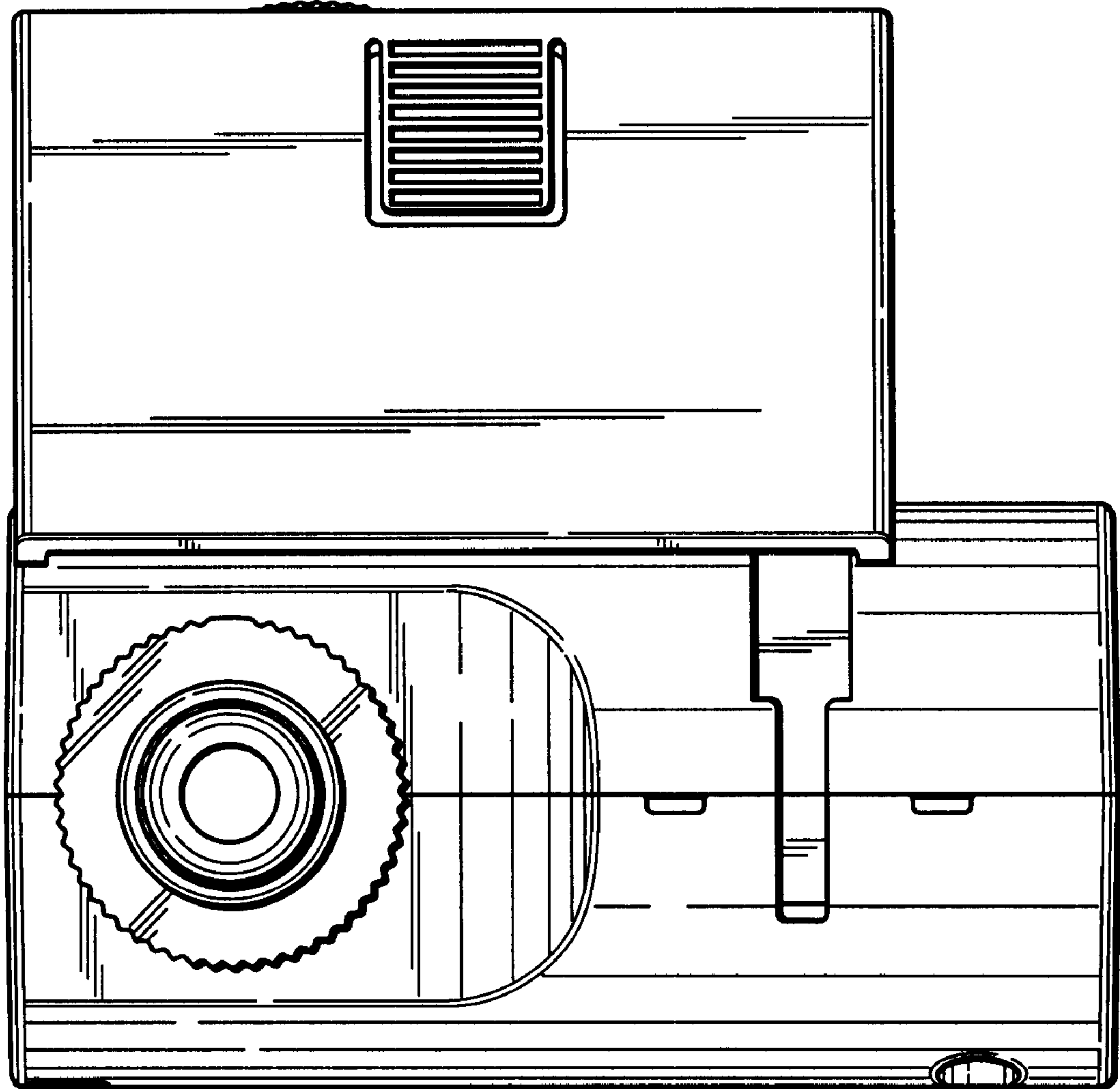


FIG. 6

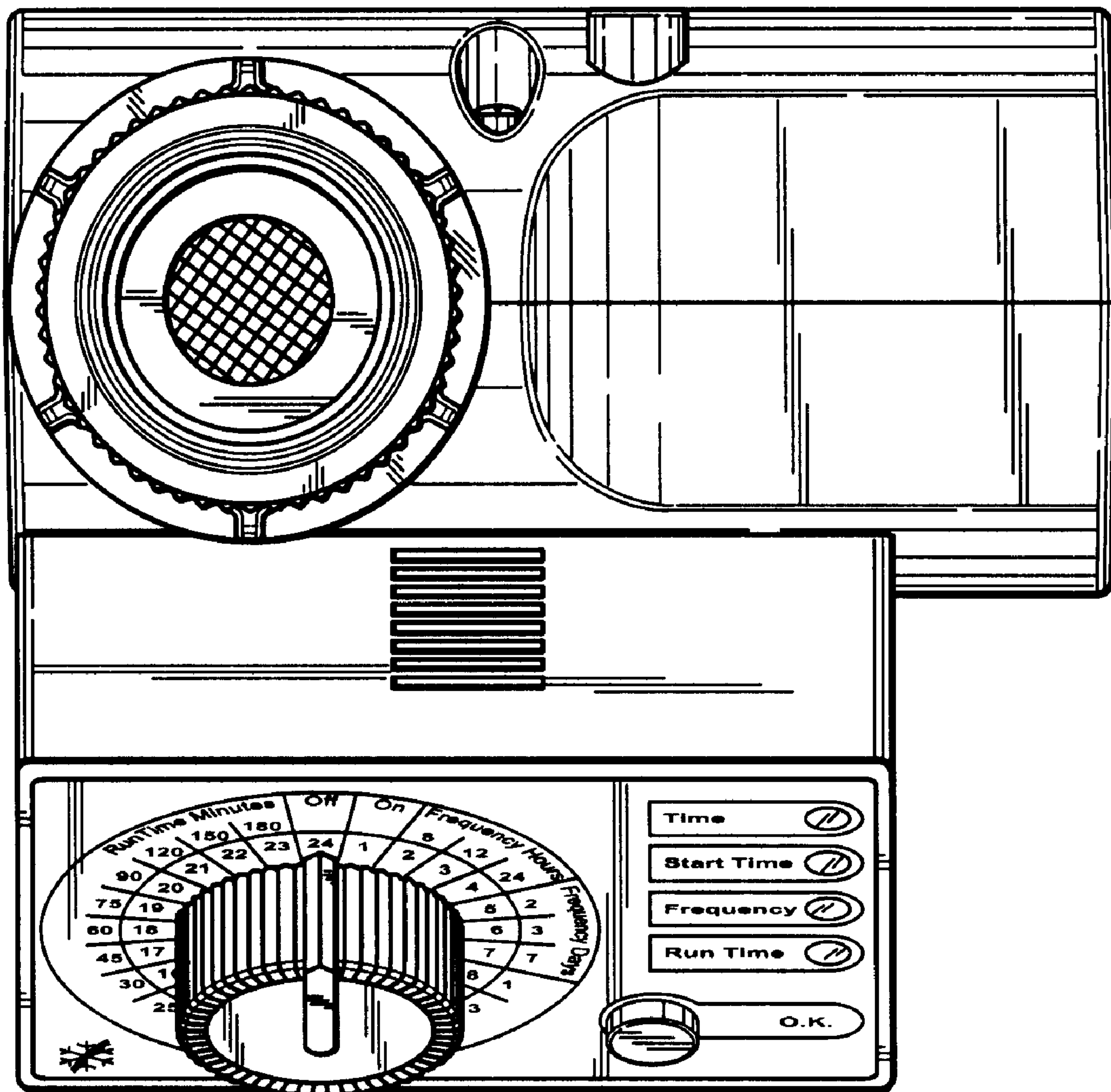


FIG. 7