



US00D467176S

(12) **United States Design Patent**  
**Morgan**

(10) **Patent No.:** **US D467,176 S**

(45) **Date of Patent:** **\*\* Dec. 17, 2002**

(54) **CAP FOR A FOOD OR BEVERAGE CONTAINER**

D363,431 S \* 10/1995 Mansau ..... D9/449  
D393,569 S \* 4/1998 Lai et al. .... D9/449

(75) Inventor: **Jérémy Morgan, Paris (FR)**

\* cited by examiner

(73) Assignee: **Perrier Vittel Management et Technologie, Issy-les-Moulineaux (FR)**

*Primary Examiner*—Dominic Simone

(74) *Attorney, Agent, or Firm*—Fish & Neave; Jeffrey H. Ingerman

(\*\*) Term: **14 Years**

(57) **CLAIM**

(21) Appl. No.: **29/152,161**

The ornamental design for a cap for a food or beverage container, as shown and described.

(22) Filed: **Dec. 14, 2001**

**DESCRIPTION**

(30) **Foreign Application Priority Data**

Jun. 15, 2001 (FR) ..... 01 3543

(51) **LOC (7) Cl.** ..... **09-07**

(52) **U.S. Cl.** ..... **D9/447; D9/449**

(58) **Field of Search** ..... D9/434, 435, 439,  
D9/440, 447, 449, 499; 220/200, 259, 260,  
265, 836, 837

FIG. 1 is a top, front, left perspective view of a cap for a food or beverage container showing my new design;

FIG. 2 is a front elevational view thereof;

FIG. 3 is a rear elevational view thereof;

FIG. 4 is a top plan view thereof;

FIG. 5 is a left side elevational view thereof; and,

FIG. 6 is a right side elevational view thereof.

The subject matter shown in broken line in FIGS. 2, 3, 5 and 6 represents unclaimed environmental structure which is shown for illustrative purposes and forms no part of the claimed design.

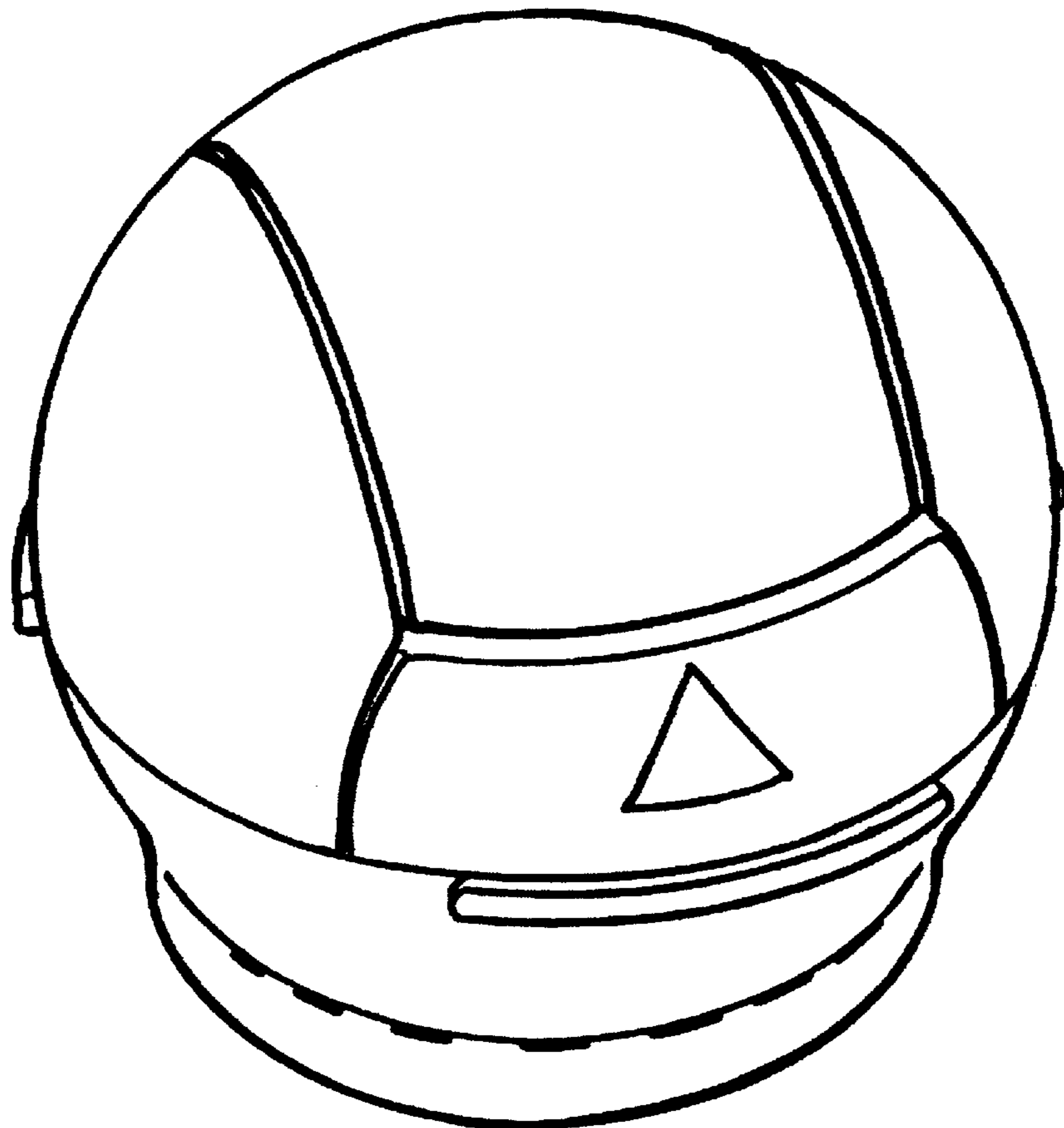
(56) **References Cited**

**U.S. PATENT DOCUMENTS**

D190,636 S \* 6/1961 Schlosser ..... D9/443 X

D314,707 S \* 2/1991 Granger ..... D9/435

**1 Claim, 6 Drawing Sheets**



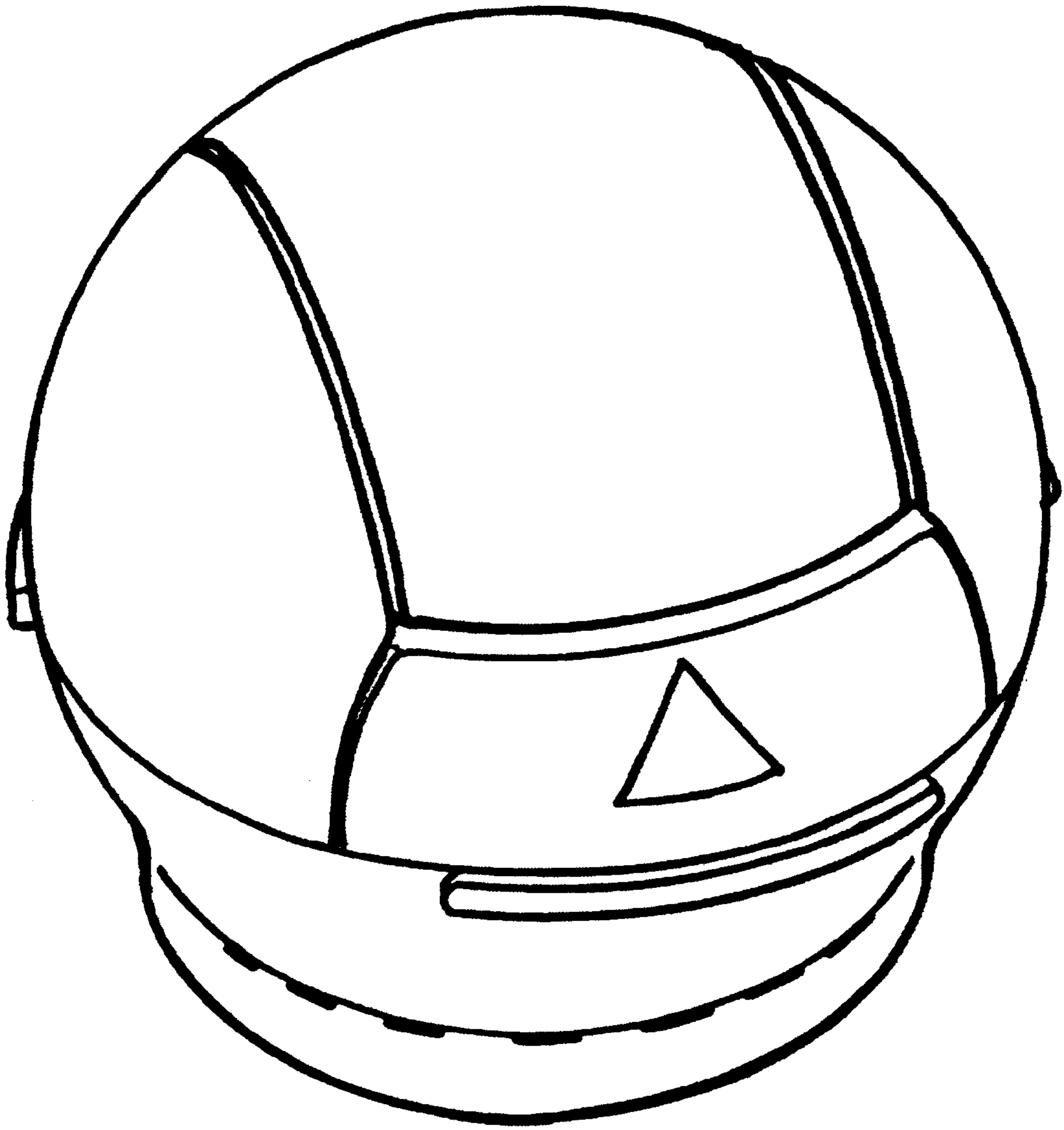


FIG. 1

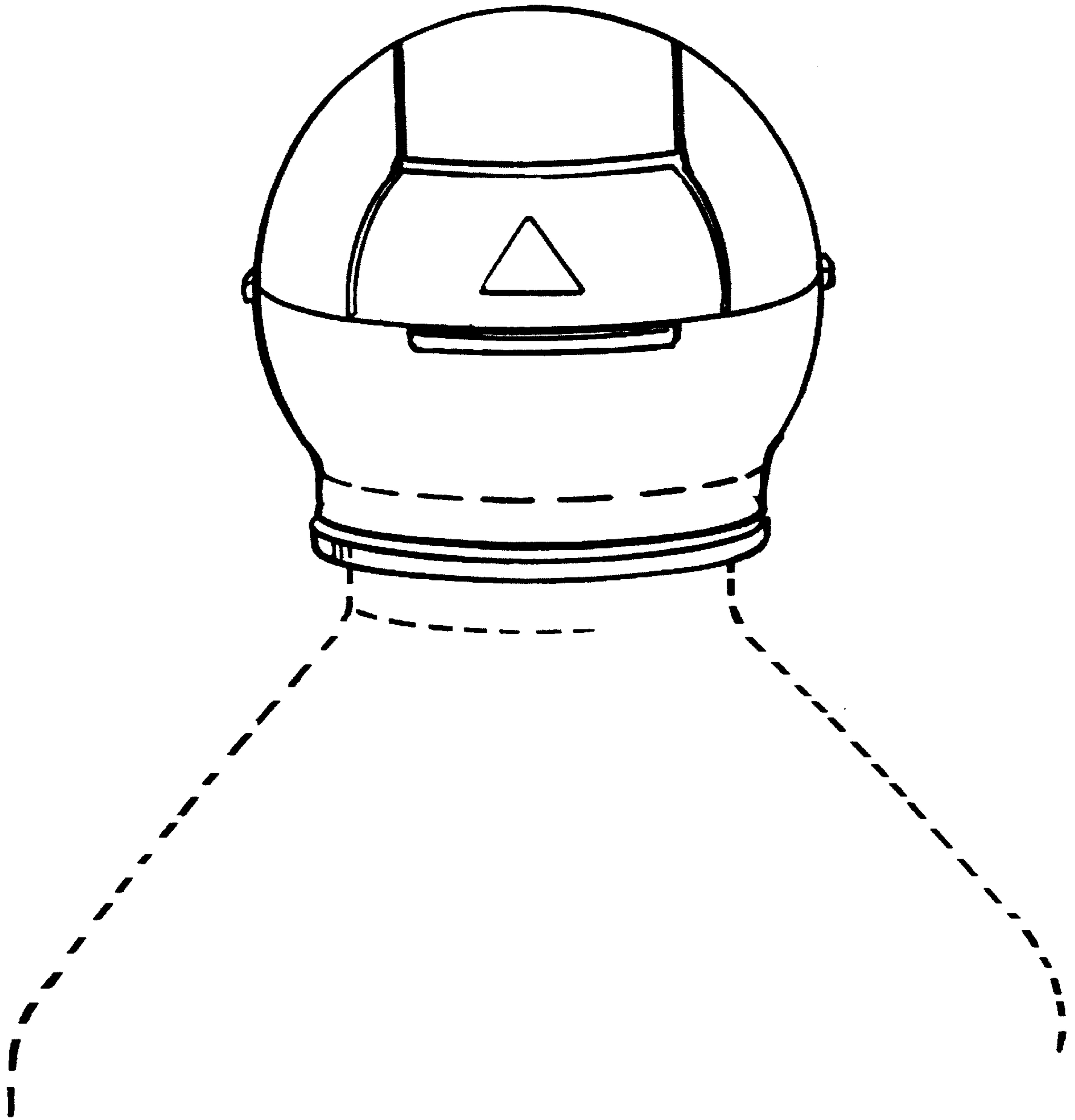
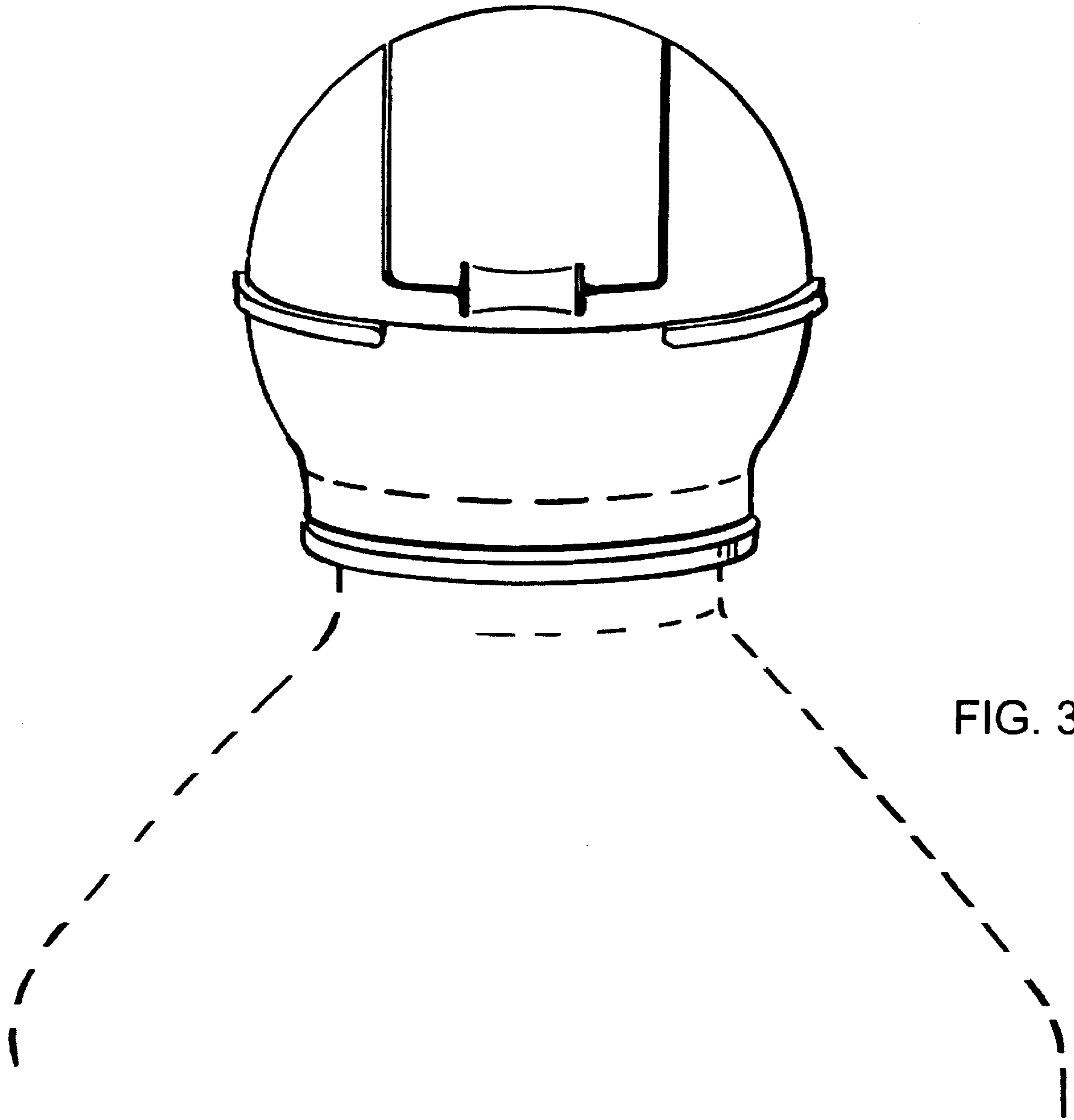


FIG. 2



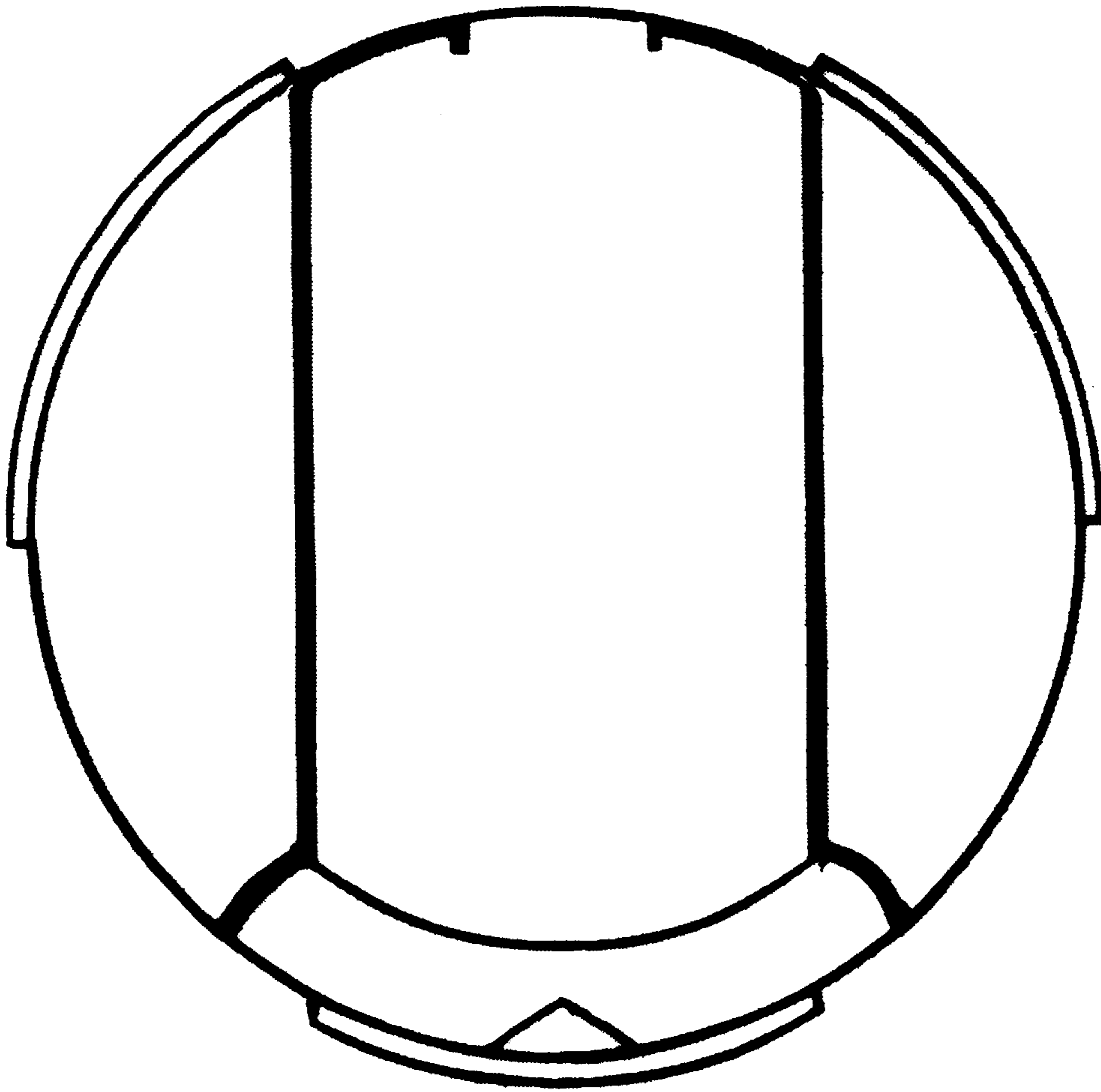


FIG. 4

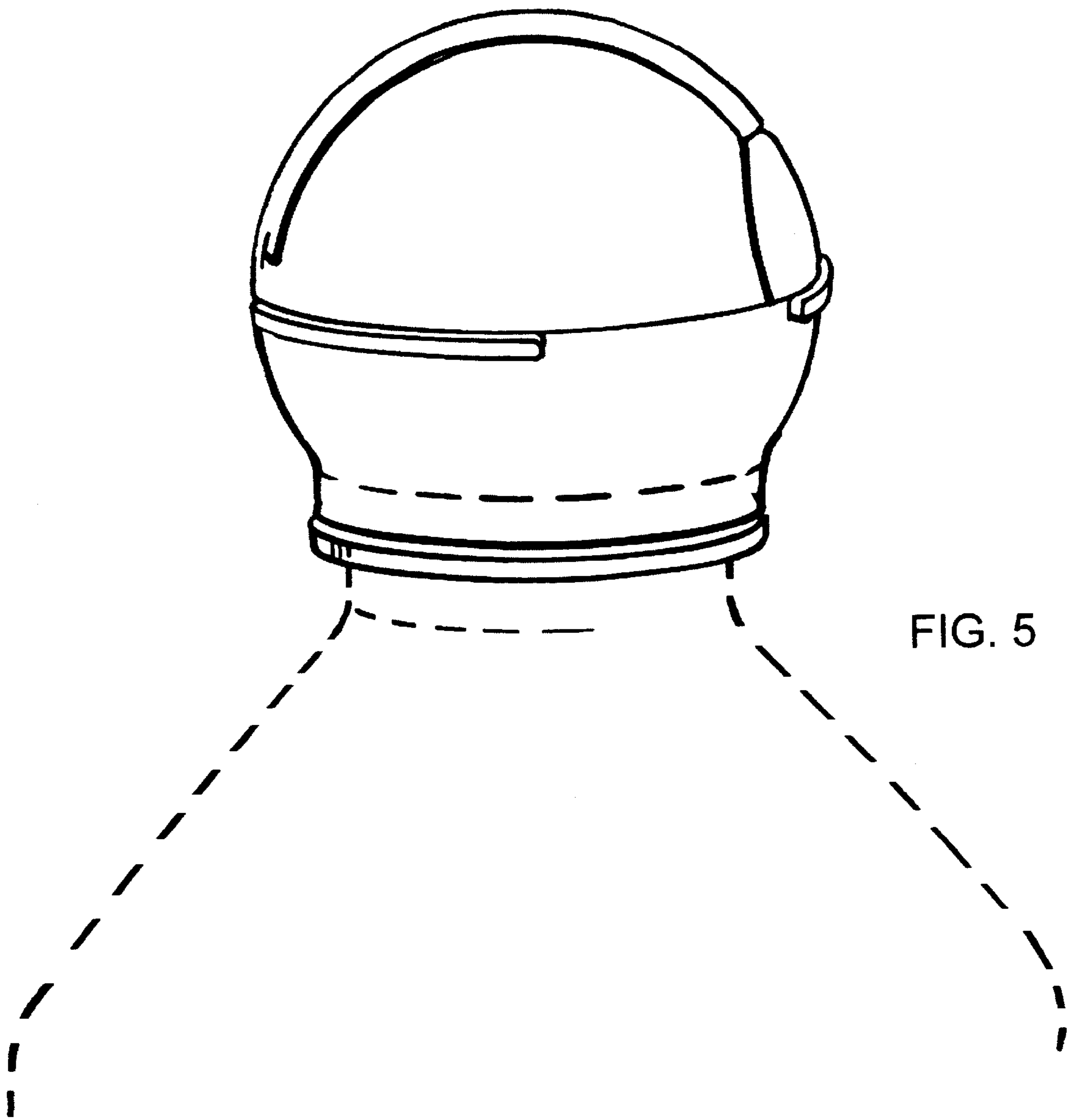


FIG. 5

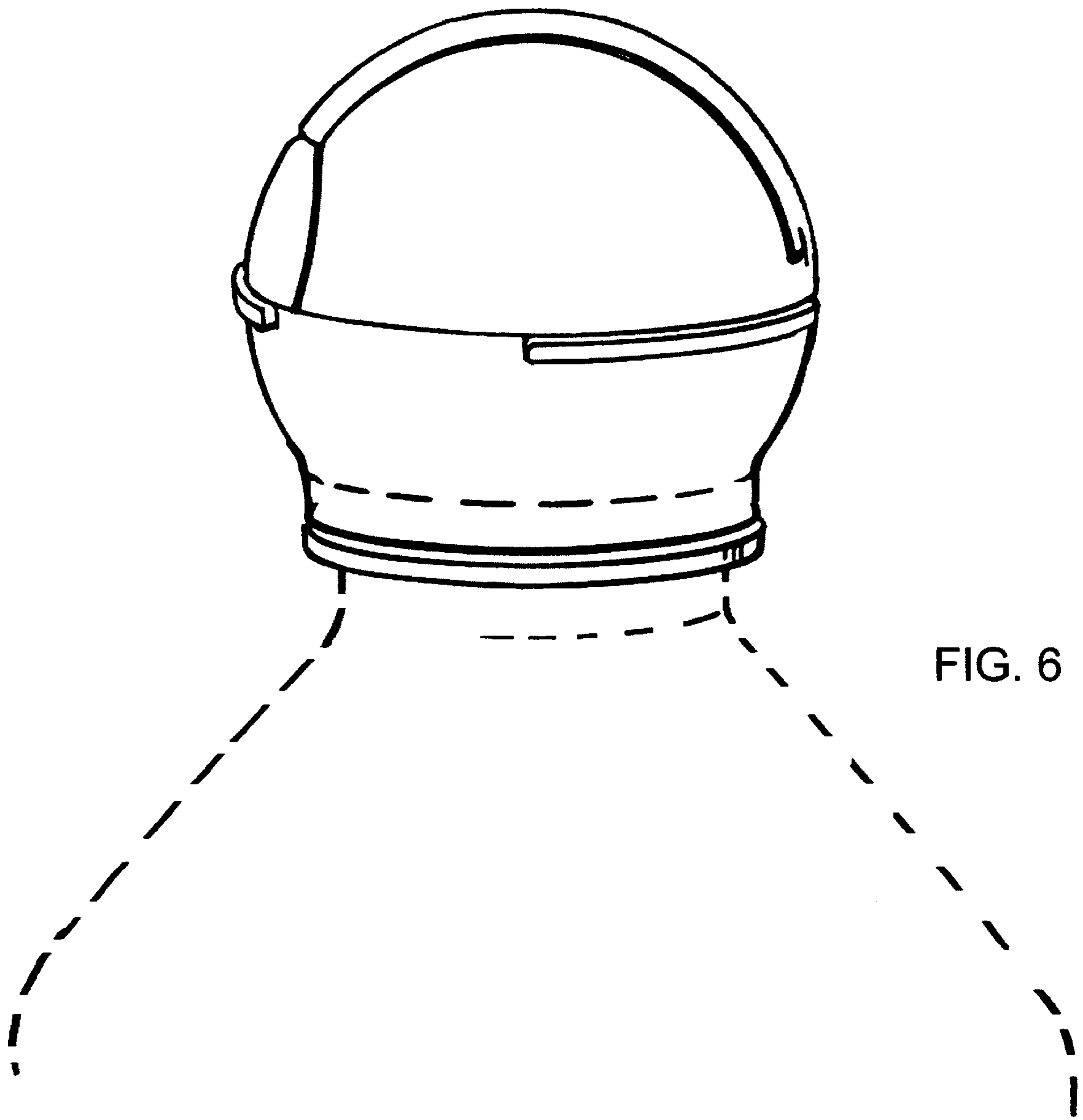


FIG. 6