



US00D467175S

(12) **United States Design Patent**  
**Morgan**

(10) **Patent No.:** **US D467,175 S**

(45) **Date of Patent:** **\*\* Dec. 17, 2002**

(54) **CAP FOR FOOD OR BEVERAGE CONTAINER**

D318,231 S \* 7/1991 Lay et al. .... D9/435  
D354,682 S \* 1/1995 Van Spaandonk ..... D9/449

(75) Inventor: **Jérémy Morgan, Paris (FR)**

\* cited by examiner

(73) Assignee: **Perrier Vittel Management et Technologie, Issy-les-Moulineaux (FR)**

*Primary Examiner*—Dominic Simone  
(74) *Attorney, Agent, or Firm*—Fish & Neave; Jeffrey H. Ingerman

(\*\*) Term: **14 Years**

(57) **CLAIM**

(21) Appl. No.: **29/152,133**

The ornamental design for a cap for a food or beverage container, as shown and described.

(22) Filed: **Dec. 14, 2001**

(30) **Foreign Application Priority Data**

**DESCRIPTION**

Jun. 15, 2001 (FR) ..... 01 3543

FIG. 1 is a top, front, left perspective view of a cap for a food or beverage container showing my new design;

(51) **LOC (7) Cl.** ..... **09-07**

FIG. 2 is a front elevational view thereof;

(52) **U.S. Cl.** ..... **D9/447; D9/449**

FIG. 3 is a rear elevational view thereof;

(58) **Field of Search** ..... D9/434, 435, 439, D9/440, 447, 449, 499; 220/200, 259, 260, 265, 836, 837

FIG. 4 is a top plan view thereof;

FIG. 5 is a left side elevational view thereof; and,

FIG. 6 is a right side elevational view thereof.

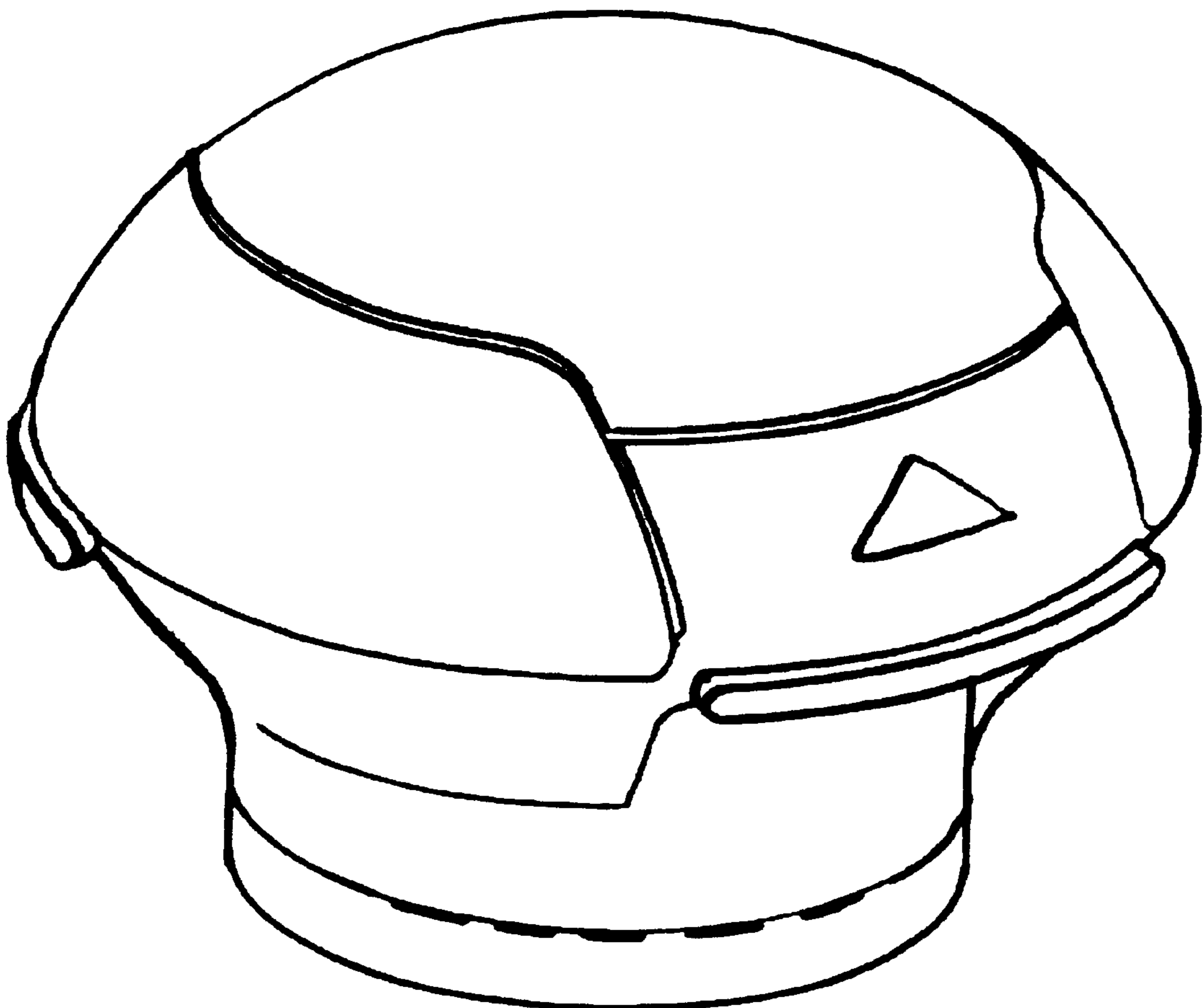
(56) **References Cited**

The subject matter shown in broken line in FIGS. 2, 3, 5 and 6 represents unclaimed environmental structure which is shown for illustrative purposes and forms no part of the claimed design.

**U.S. PATENT DOCUMENTS**

D112,545 S \* 12/1938 Younghusband ..... D9/435  
D316,969 S \* 5/1991 Wiseman et al. .... D9/435

**1 Claim, 6 Drawing Sheets**



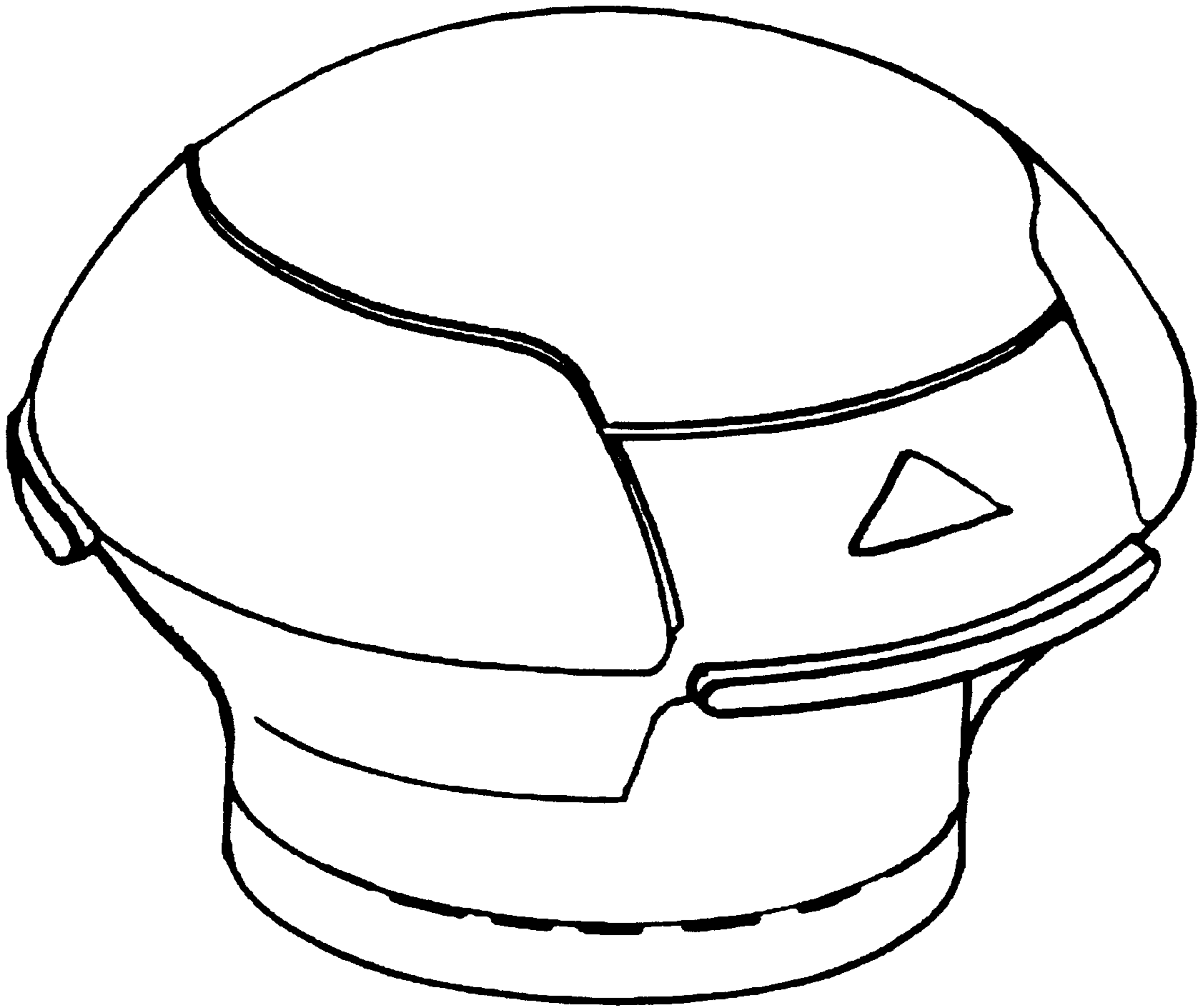


FIG. 1

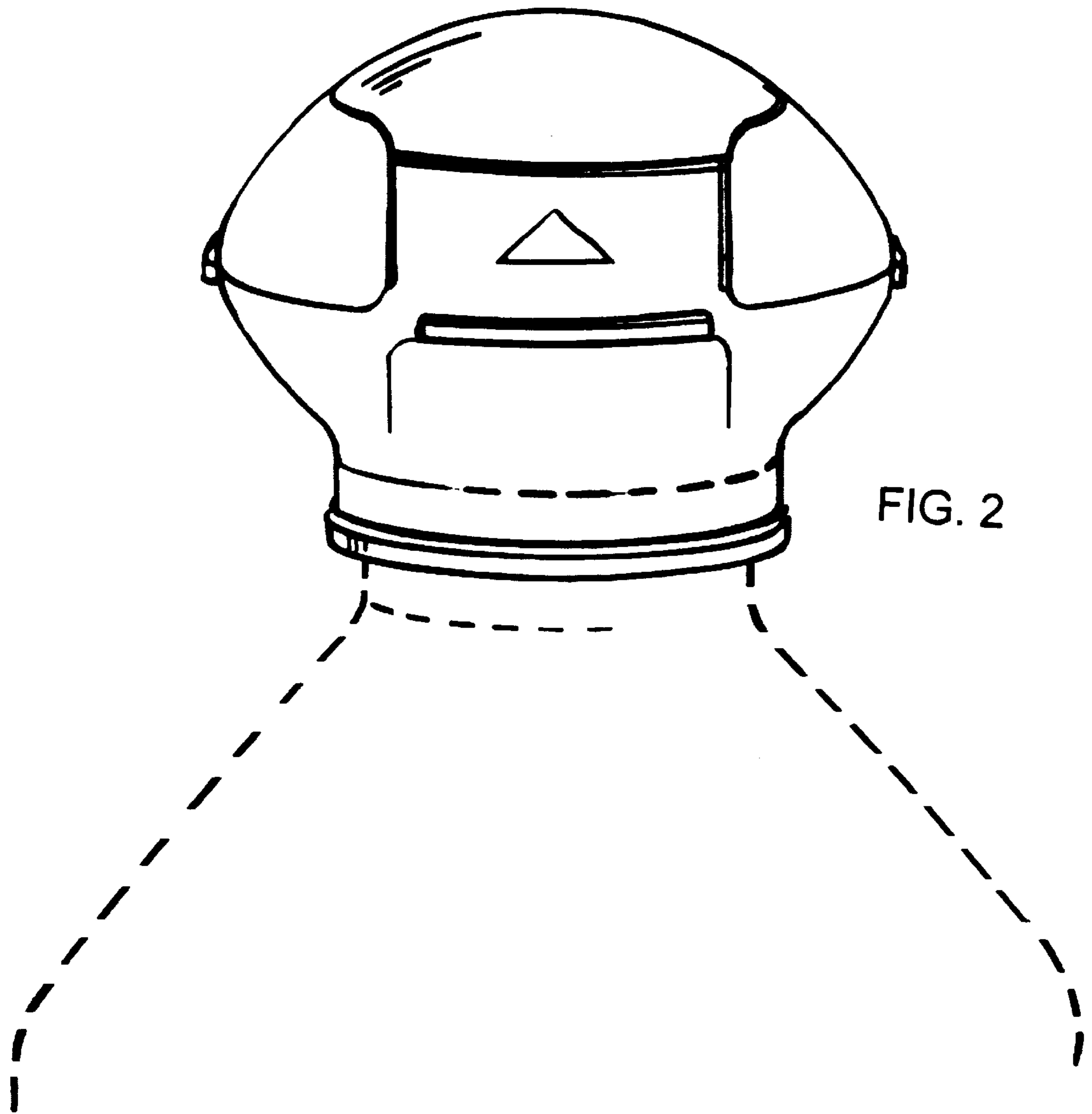


FIG. 2

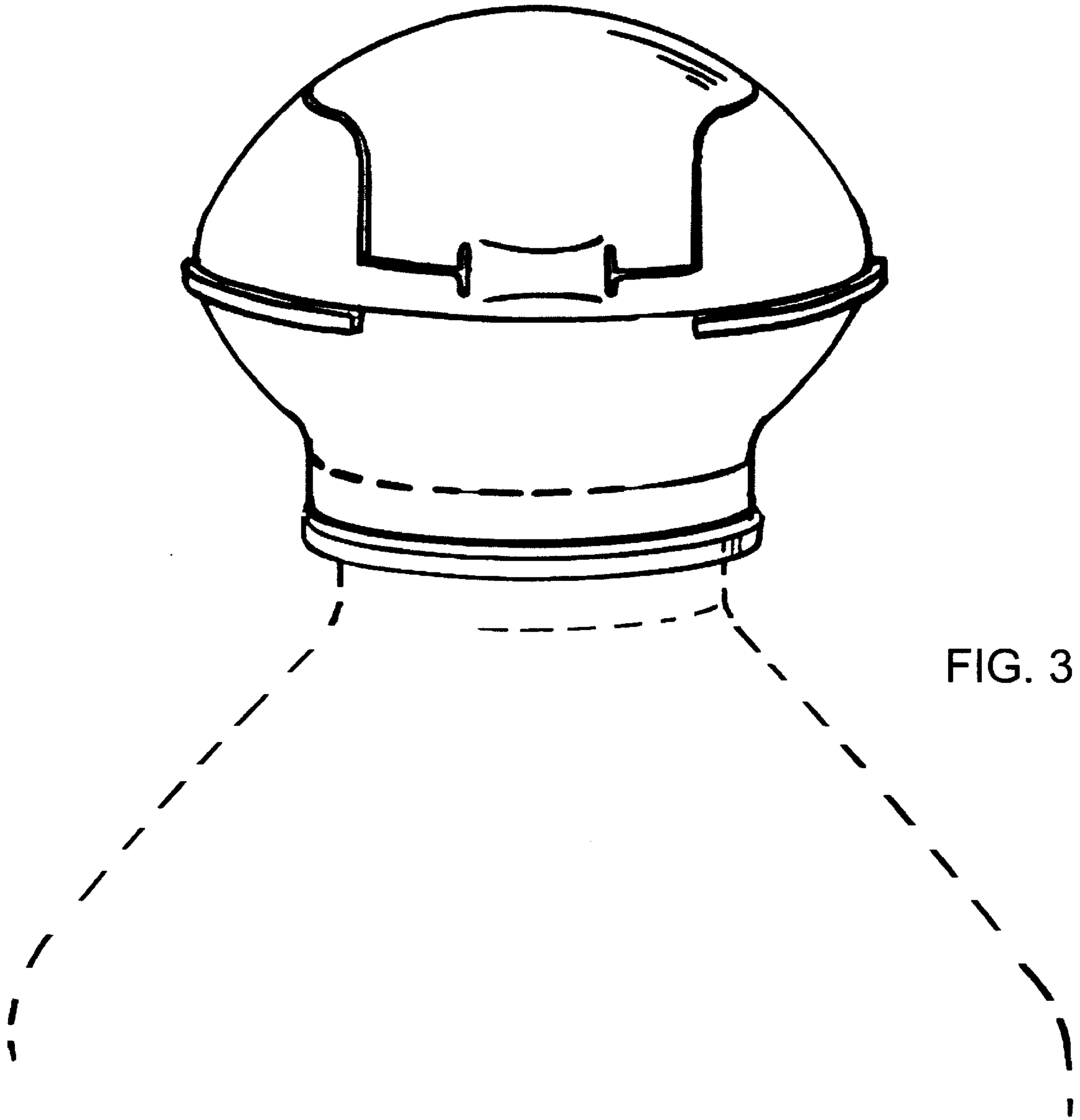


FIG. 3

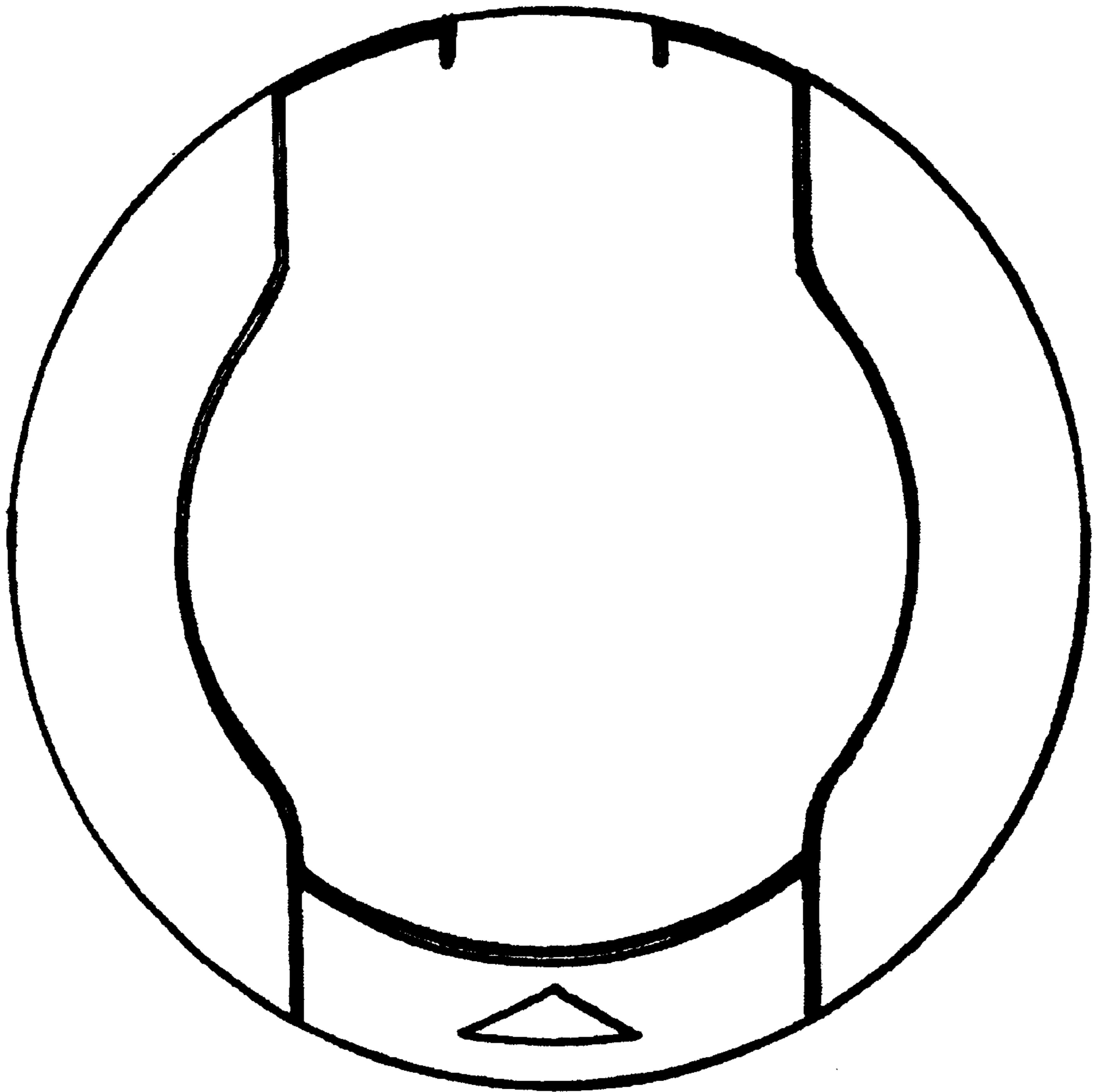


FIG. 4

