



US00D467174S

(12) **United States Design Patent**
Mozes

(10) **Patent No.:** **US D467,174 S**

(45) **Date of Patent:** **** Dec. 17, 2002**

(54) **CLOSURE SPOUT**

(75) Inventor: **Raymond P. Mozes**, Greenville, PA
(US)

(73) Assignee: **Controlled Molding, Inc.**, Hadley, PA
(US)

(**) Term: **14 Years**

(21) Appl. No.: **29/149,132**

(22) Filed: **Oct. 2, 2001**

(51) **LOC (7) Cl.** **09-07**

(52) **U.S. Cl.** **D9/435**

(58) **Field of Search** D9/435, 447, 499;
222/48, 519-521

(56) **References Cited**

U.S. PATENT DOCUMENTS

3,367,545 A * 2/1968 Cook 222/520
4,438,870 A 3/1984 Stull

4,773,572 A * 9/1988 Stull 222/521
4,967,941 A 11/1990 Beck
5,181,632 A * 1/1993 Latter 222/521
6,024,256 A * 2/2000 Beck et al. 222/521
6,135,318 A * 10/2000 Valley 222/48
6,170,720 B1 * 1/2001 Guepper et al. 222/521

* cited by examiner

Primary Examiner—Dominic Simone
(74) *Attorney, Agent, or Firm*—Emerson & Skeriotis;
Roger D. Emerson; Daniel A Thomson

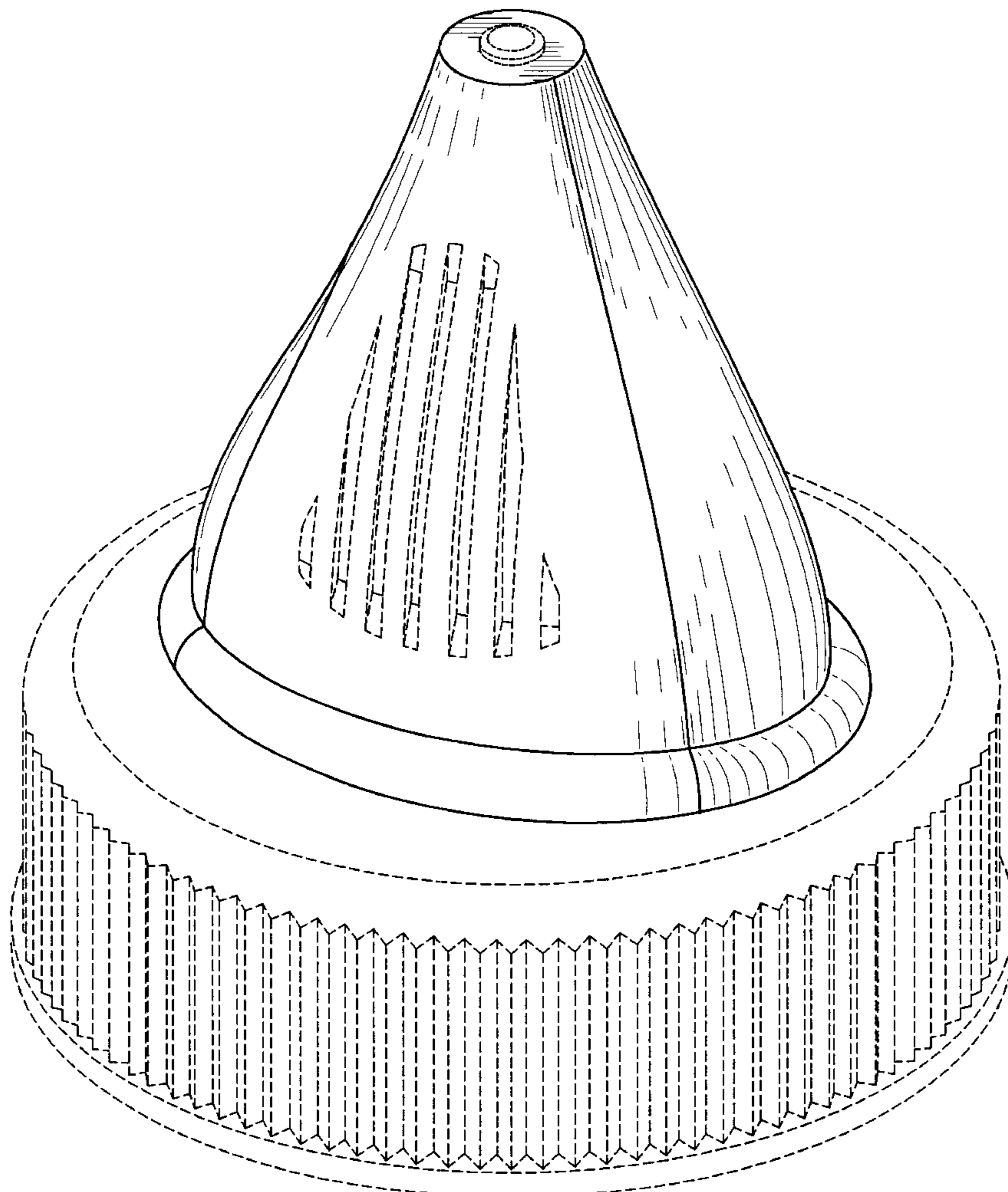
(57) **CLAIM**

The ornamental design for a closure spout, as shown.

DESCRIPTION

FIG. 1 is a front elevational view showing the new design;
FIG. 2 is a side elevational view thereof;
FIG. 3 is a top plan view thereof; and,
FIG. 4 is a perspective view thereof.

1 Claim, 4 Drawing Sheets



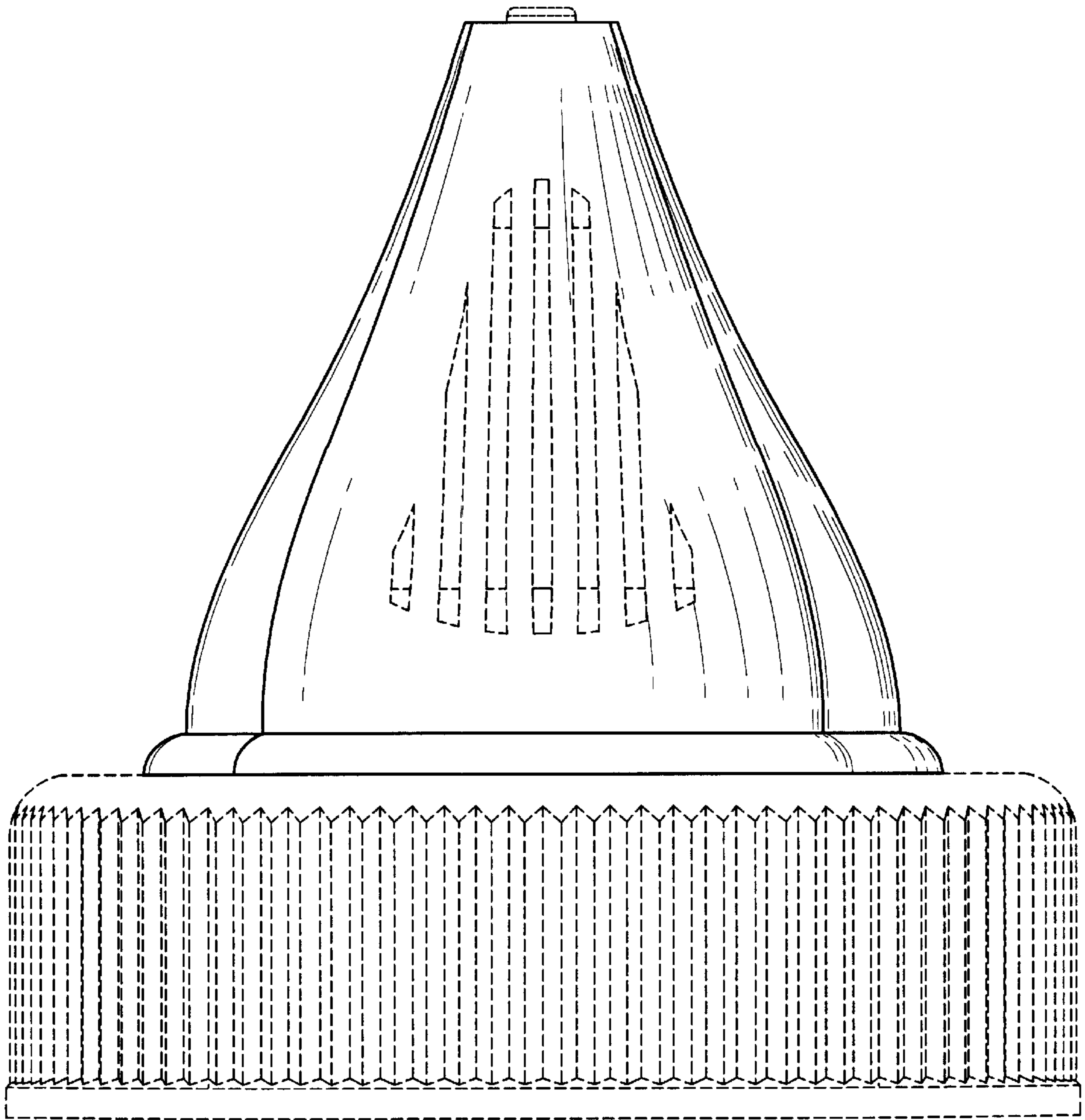


FIG-1

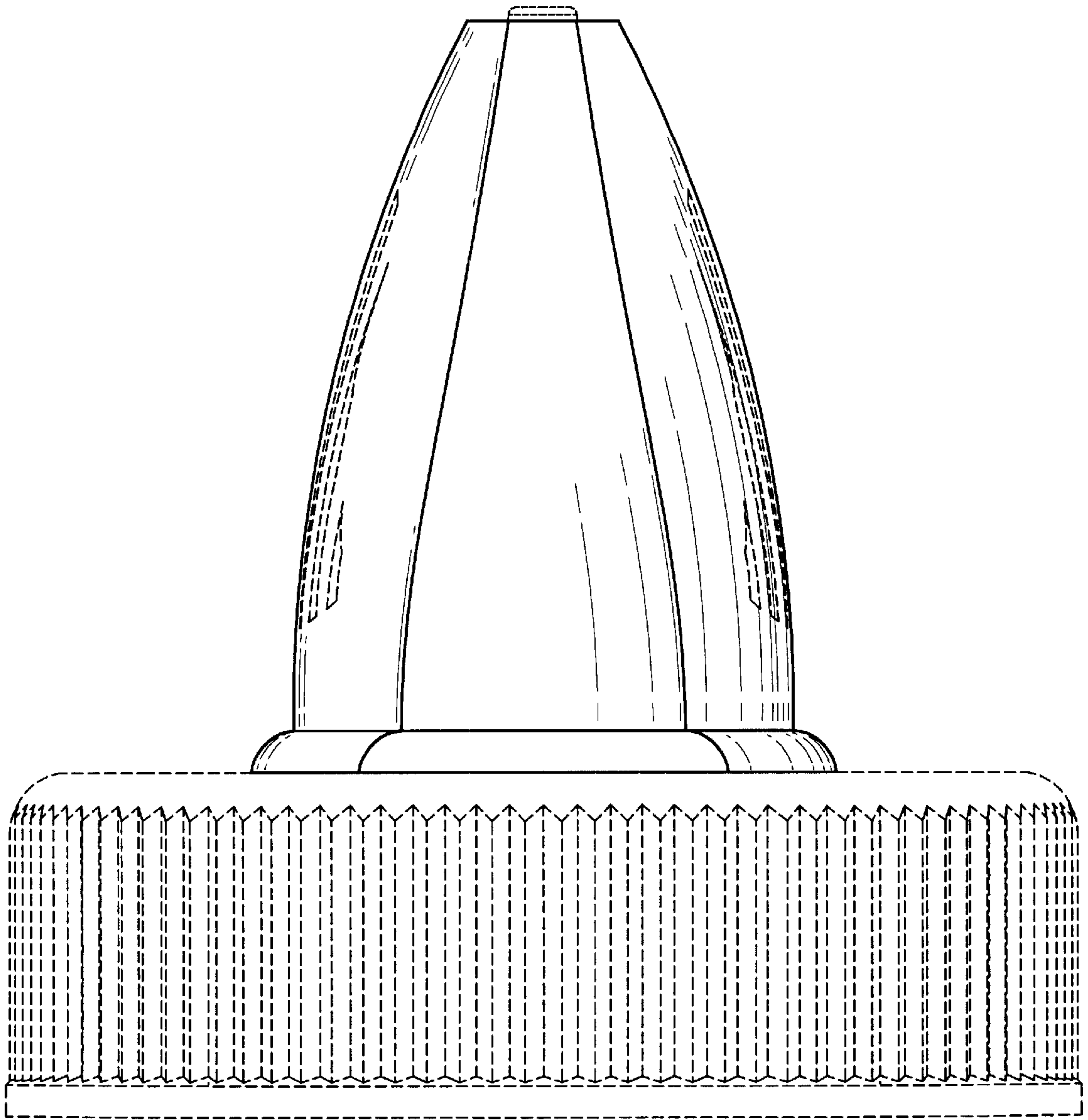


FIG-2

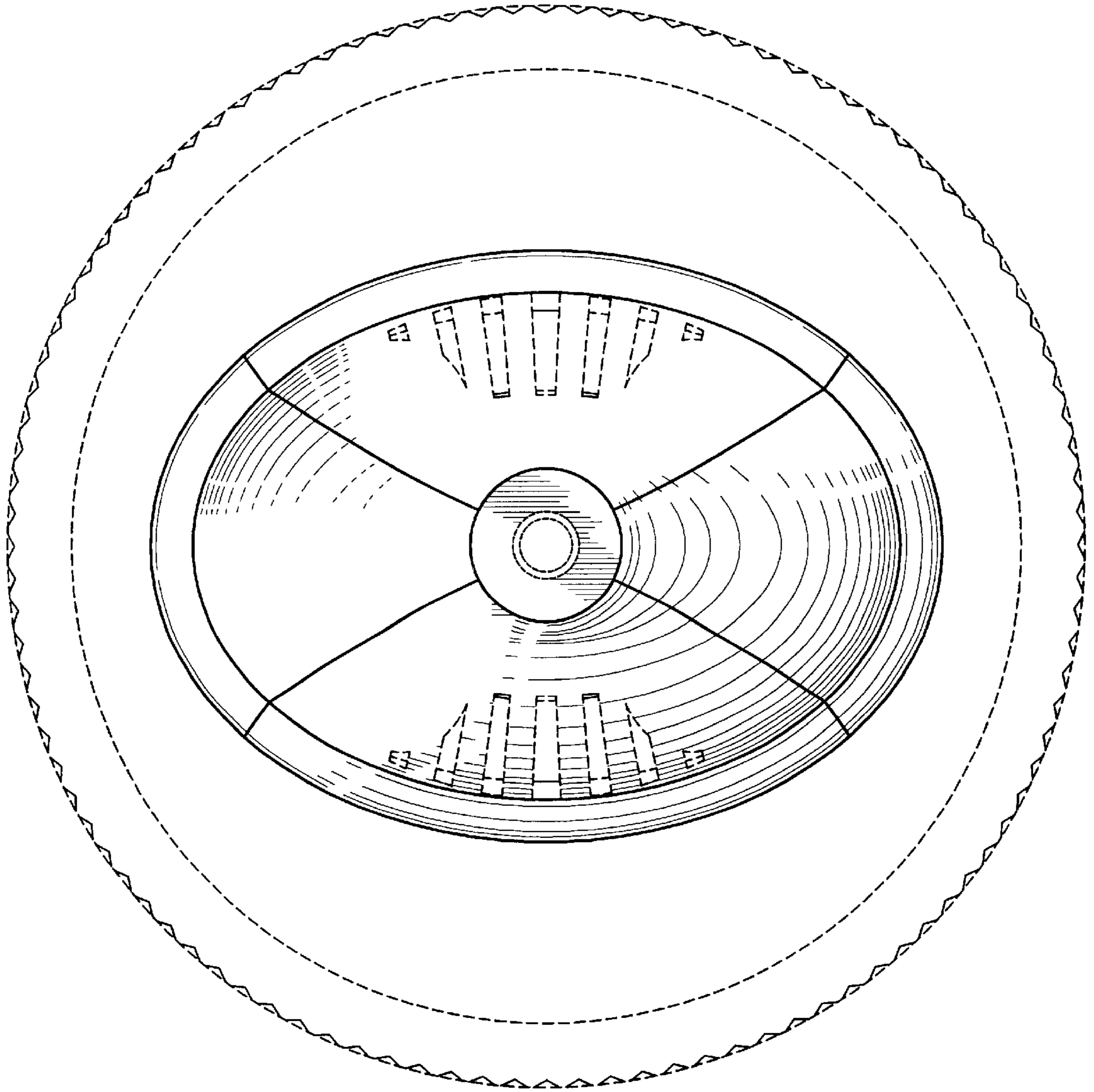


FIG-3

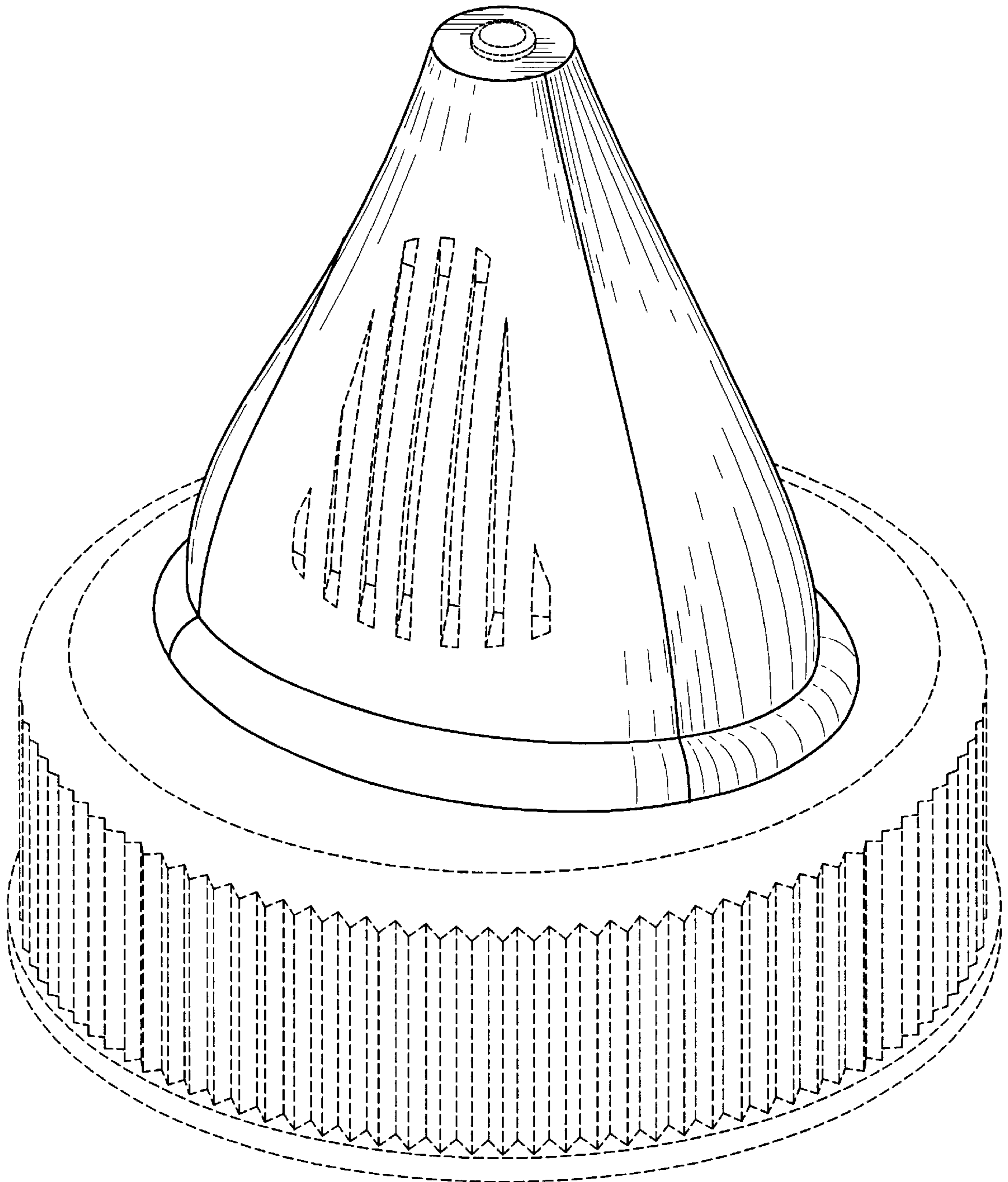


FIG-4