



US00D467169S

(12) **United States Design Patent**
Felter

(10) **Patent No.:** **US D467,169 S**

(45) **Date of Patent:** **** Dec. 17, 2002**

(54) **GARBAGE BAG FOR EXTRA LARGE CONTAINERS**

(76) **Inventor:** **Judy L. Felter**, 1896 W. Homestead Farms La. # 1, Salt Lake City, UT (US) 84119-6170

(**) **Term:** **14 Years**

(21) **Appl. No.:** **29/146,589**

(22) **Filed:** **Aug. 13, 2001**

(51) **LOC (7) Cl.** **09-05**

(52) **U.S. Cl.** **D9/305**

(58) **Field of Search** D9/305, 306, 302; 383/7, 11, 122, 9, 120, 62, 71, 77, 16; 220/495.11, 495.1

(56) **References Cited**

U.S. PATENT DOCUMENTS

1,692,777 A	*	11/1928	Jewell	383/7
3,107,842 A	*	10/1963	Guilfoyle	383/62
3,409,063 A	*	11/1968	Pokras	383/7
3,771,254 A		11/1973	Scott et al.	
4,200,127 A		4/1980	Dunleavy	
D260,475 S		9/1981	Hall	
D298,977 S		12/1988	Cook	
D300,804 S		4/1989	Myers	

4,923,087 A		5/1990	Burrows	
5,699,564 A	*	12/1997	Heh	383/11 X
5,913,606 A	*	6/1999	Nicholson	383/11
D417,143 S	*	11/1999	Irvine	D9/305
6,003,717 A	*	12/1999	Long	220/495.11

* cited by examiner

Primary Examiner—Paula A. Mortimer

(74) *Attorney, Agent, or Firm*—Donald R. Schoonover

(57) **CLAIM**

I claim the ornamental design for a garbage bag for extra large containers, as shown and described.

DESCRIPTION

FIG. 1 is a perspective view of the garbage bag for extra large containers embodying the design of the present invention, showing the invention in use with an extra-large container;

FIG. 2 is a front elevational view thereof;

FIG. 3 is a rear elevational view thereof;

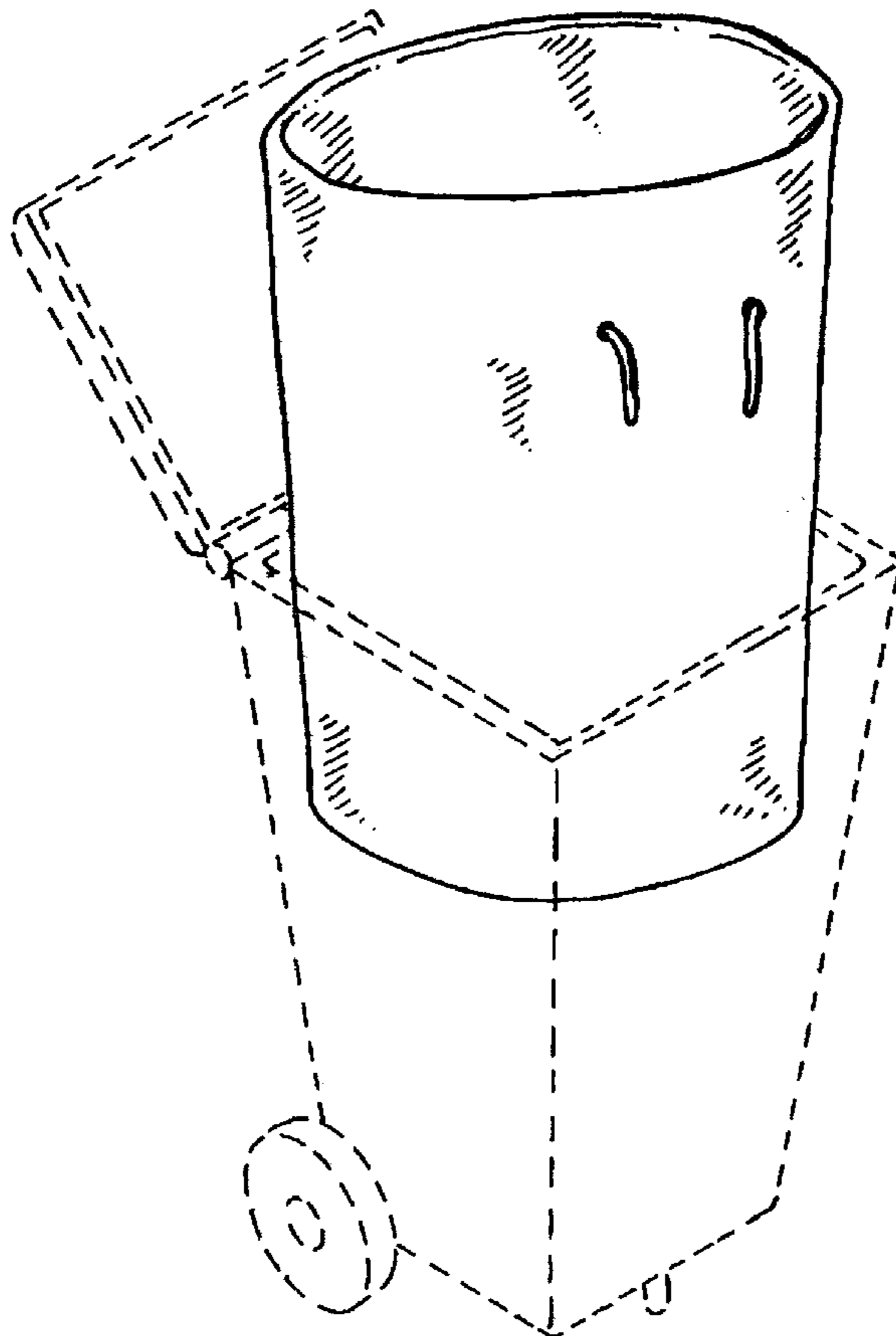
FIG. 4 is a side elevational view thereof;

FIG. 5 is a top plan view thereof; and,

FIG. 6 is a bottom plan view thereof.

The broken line showing of environment is for illustrative purposes only and forms no part of the claimed design.

1 Claim, 3 Drawing Sheets



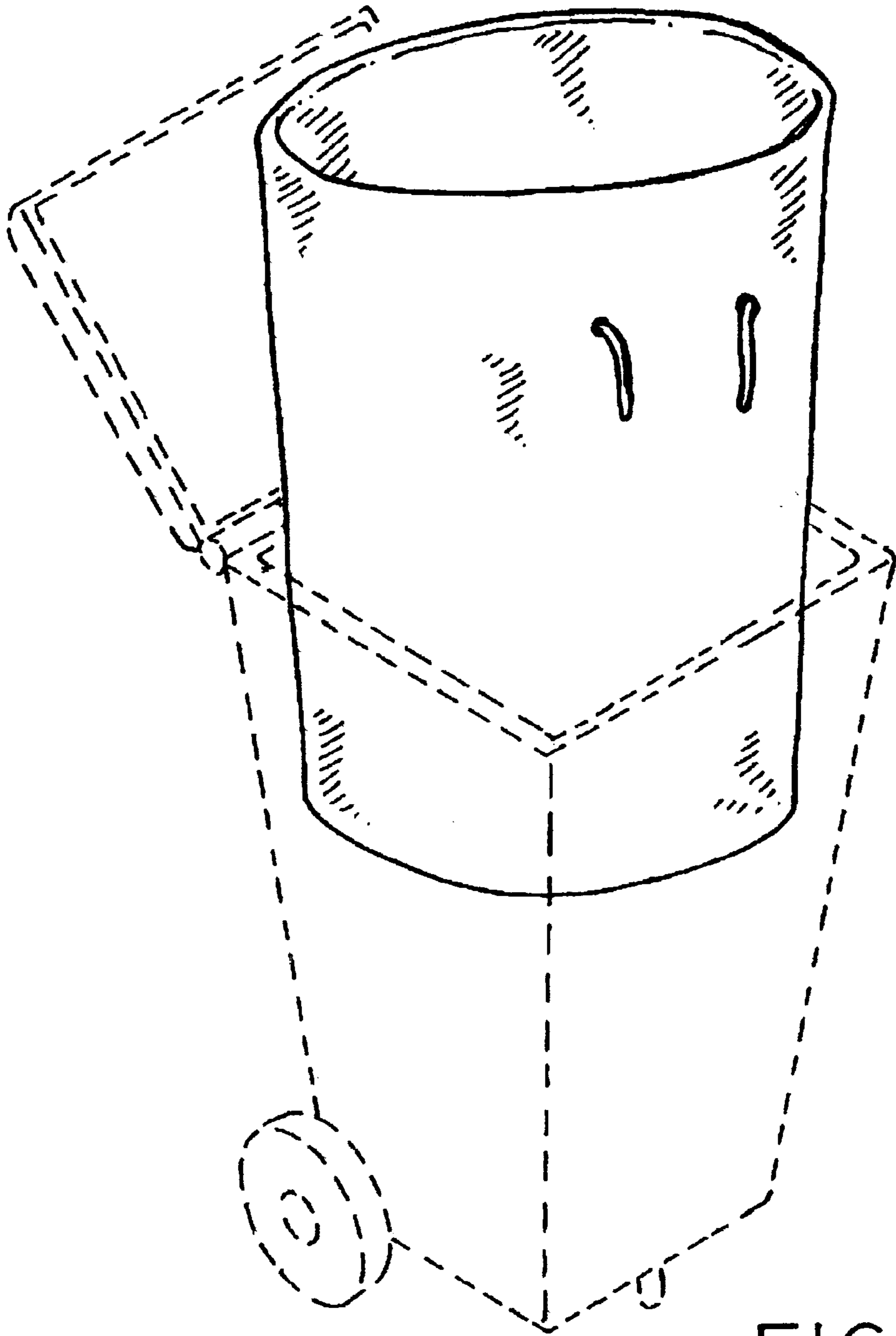


FIG. 1.

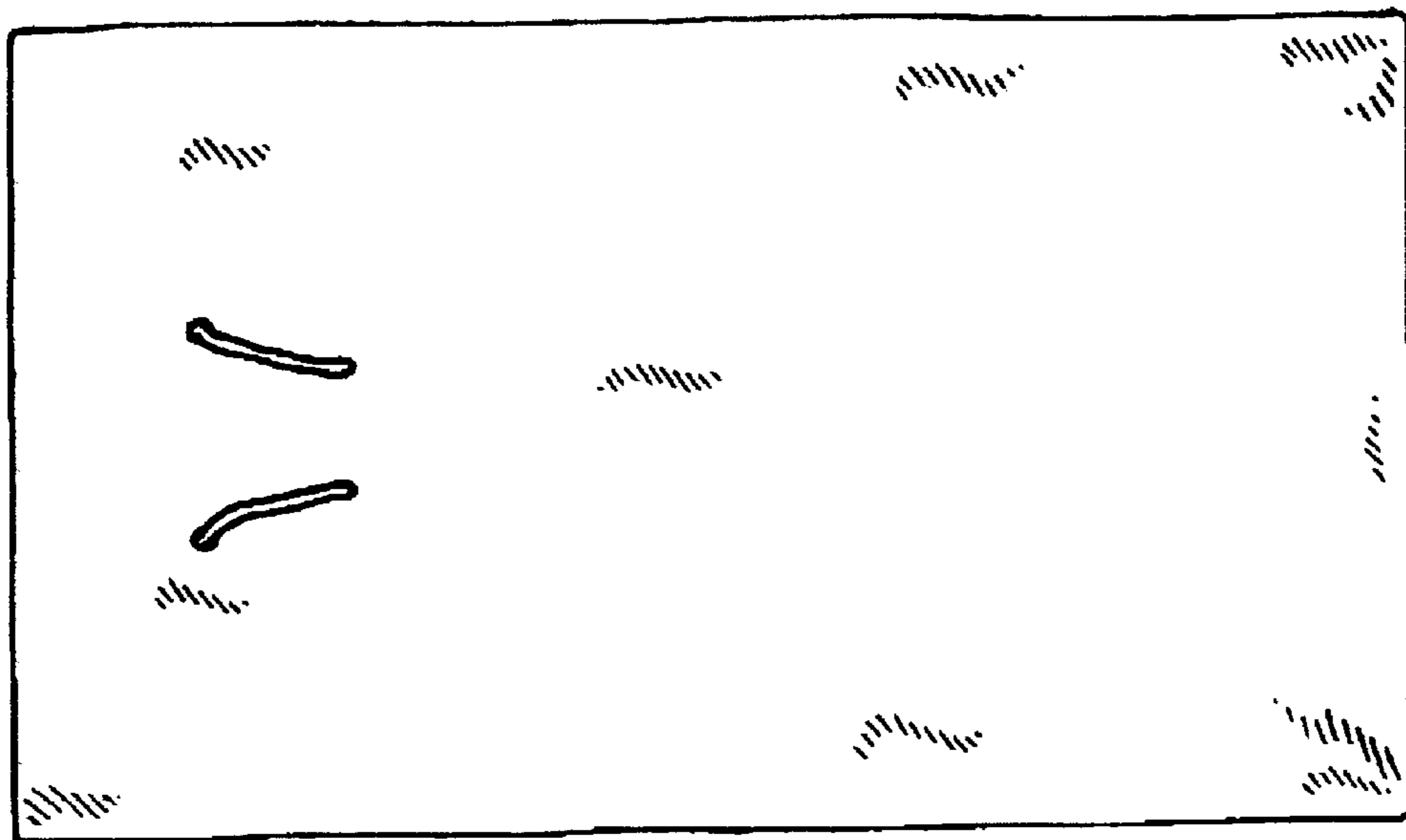


FIG. 2.

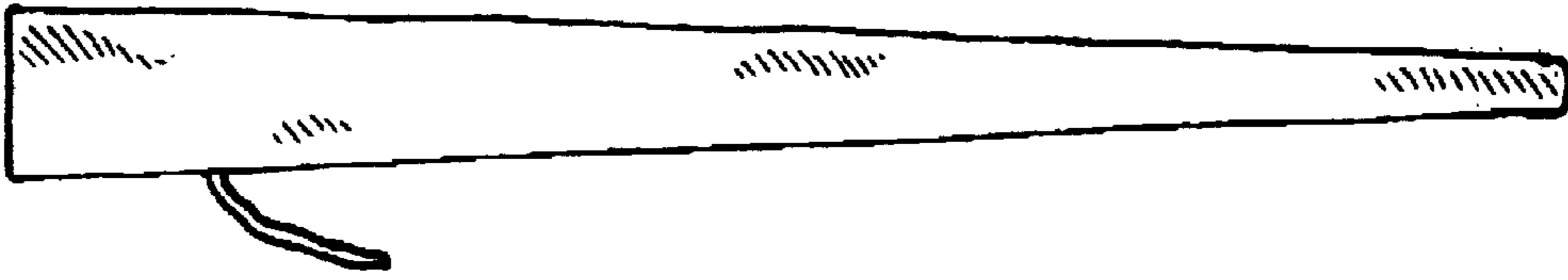


FIG. 4.

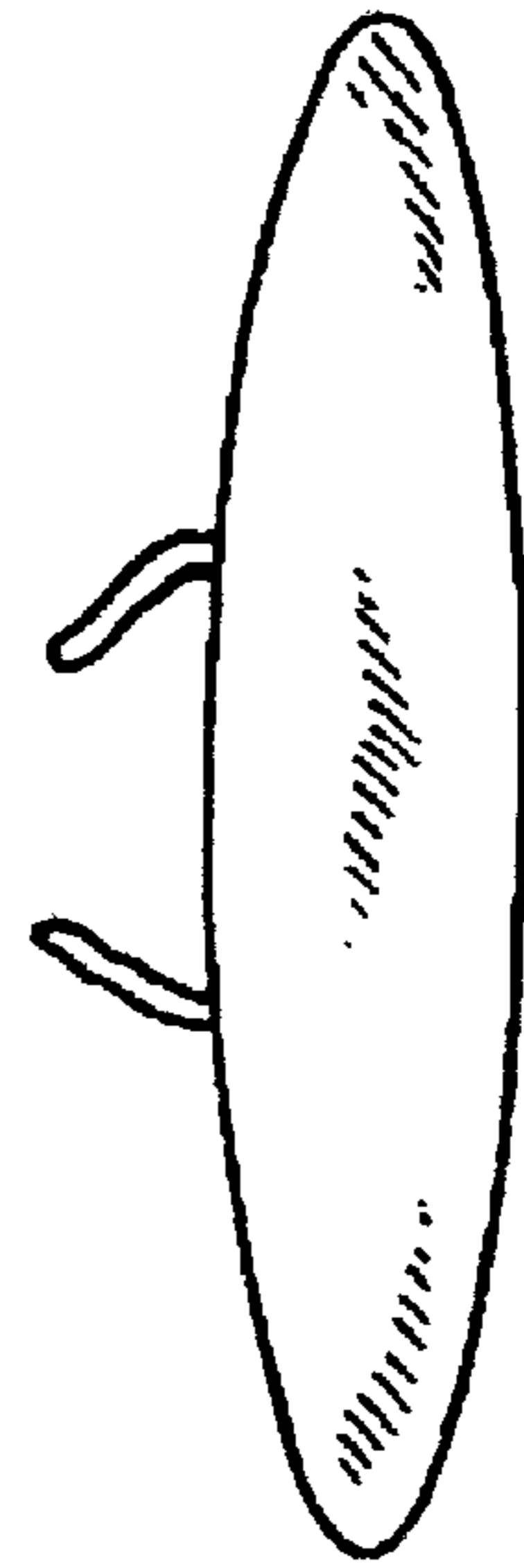


FIG. 5

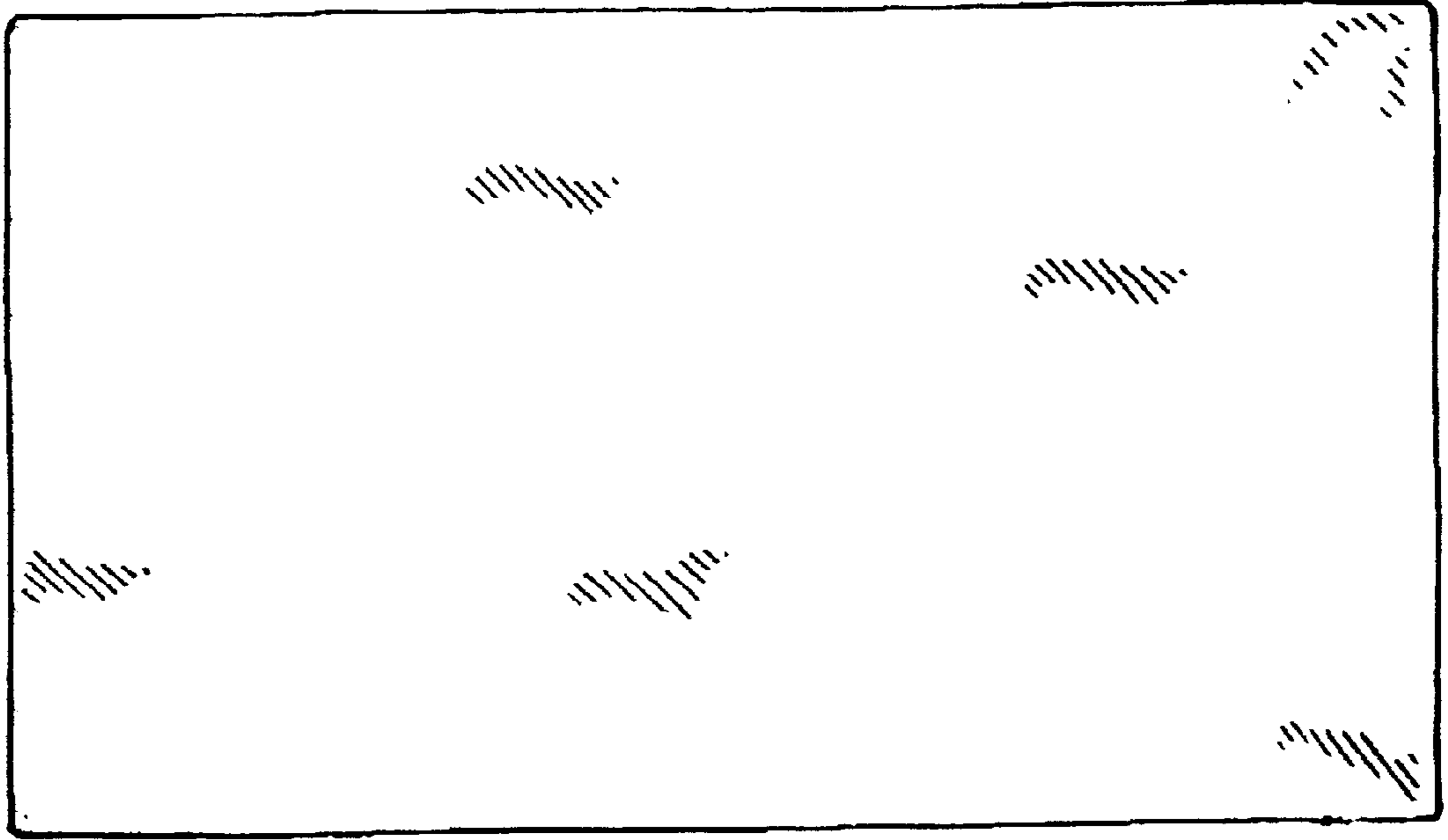


FIG. 3.

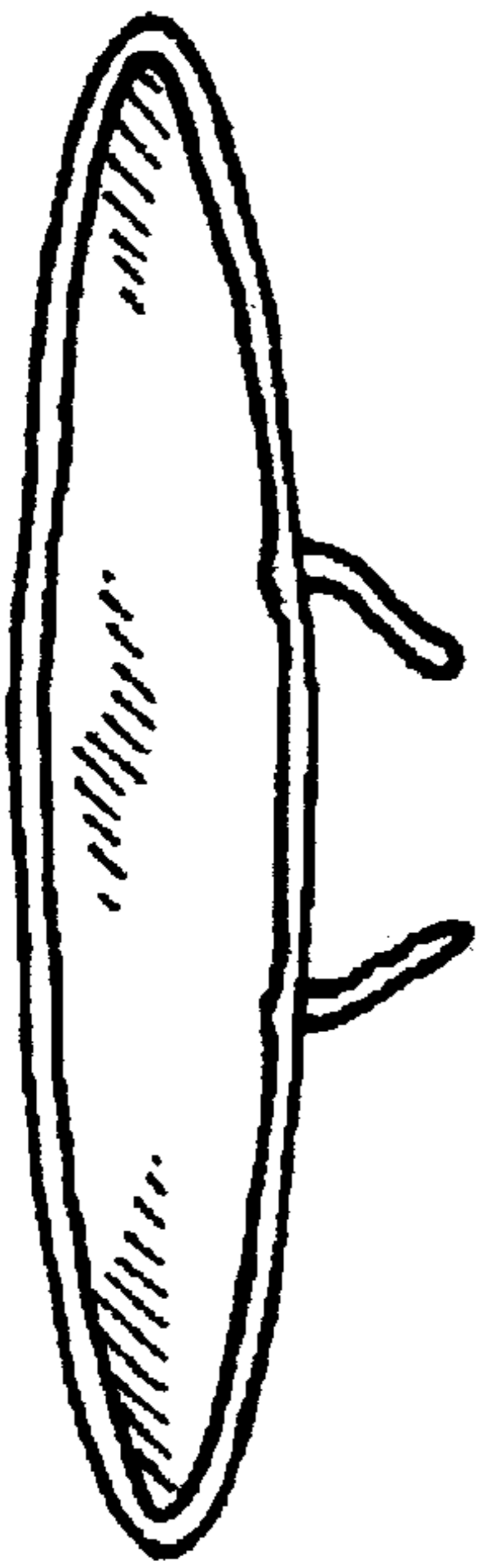


FIG. 6.