



US00D467160S

(12) **United States Design Patent**
Roick

(10) **Patent No.:** **US D467,160 S**

(45) **Date of Patent:** **** Dec. 17, 2002**

(54) **FURNITURE SPRING CLIP**

4,733,840 A	*	3/1988	D'Amore	248/205.3
D330,850 S		11/1992	Roick		
D330,851 S		11/1992	Roick		
D331,007 S		11/1992	Roick		
5,505,436 A		4/1996	Roick		

(76) Inventor: **Reinhard Roick**, P.O. Box 734, R.R.
#1, Burks Falls, Ontario (CA), PO1
1CO

(**) Term: **14 Years**

* cited by examiner

(21) Appl. No.: **29/153,618**

Primary Examiner—Pamela J. Burgess
(74) *Attorney, Agent, or Firm*—Riches, McKenzie &
Herbert LLP

(22) Filed: **Jan. 14, 2002**

(30) **Foreign Application Priority Data**

(57) **CLAIM**

Oct. 16, 2001 (CA) 2001-2485

I claim the ornamental design for a furniture spring clip, as shown.

(51) **LOC (7) Cl.** **08-05**

DESCRIPTION

(52) **U.S. Cl.** **D8/371; D8/367**

(58) **Field of Search** D8/367, 395, 499,
D8/383; D6/411, 418; 248/692, 674, 475.1,
478, 301-304, 205.3; 24/DIG. 11, DIG. 28,
DIG. 9, 455, 485, 129 B

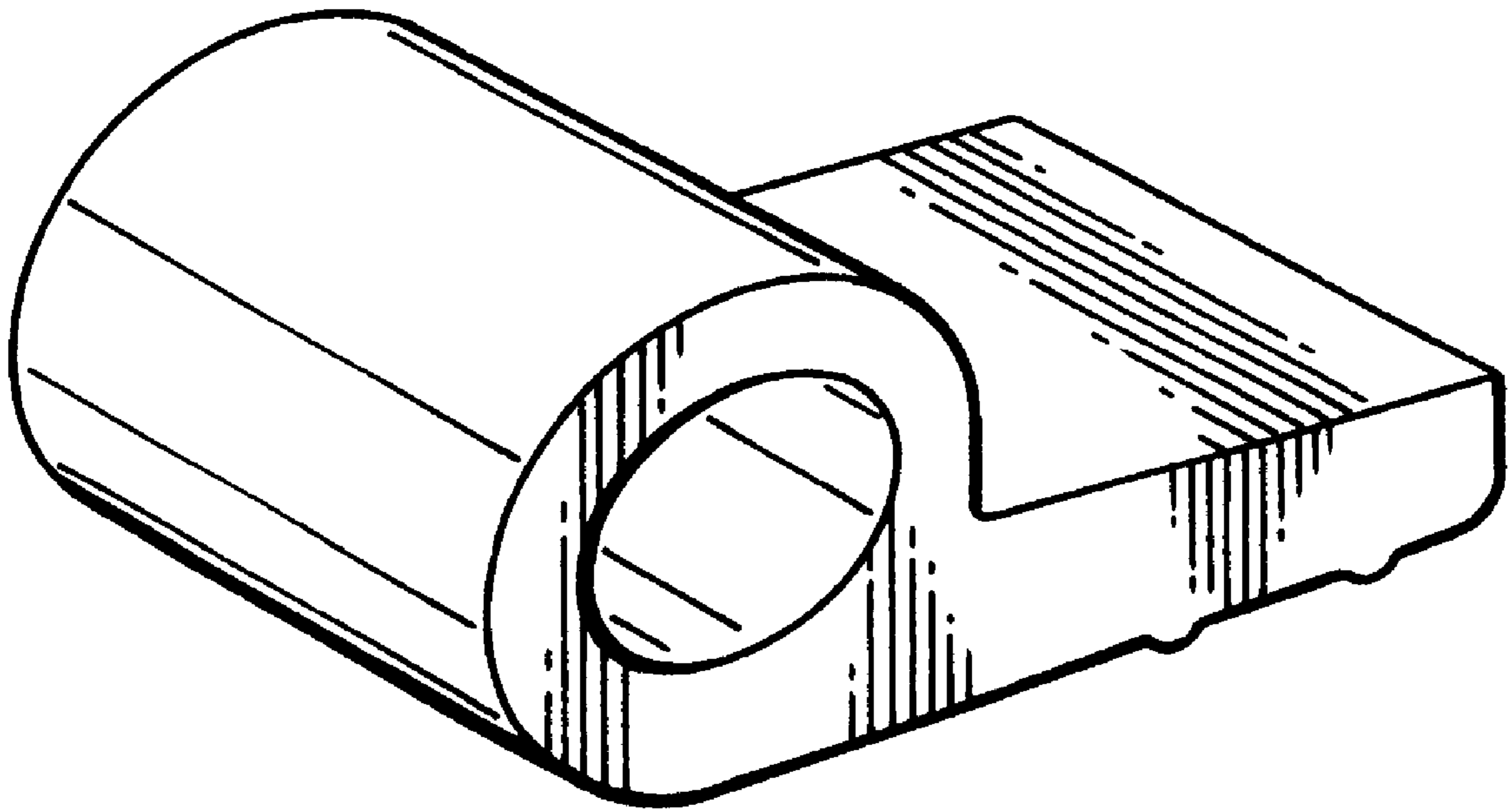
FIG. 1 is a top, front and right perspective view of a furniture spring clip in accordance with the design;
FIG. 2 is a top plan view of the clip of FIG. 1;
FIG. 3 is a right side elevation view of the clip of FIG. 1;
FIG. 4 is a bottom plan view of the clip of FIG. 1;
FIG. 5 is a left side elevation view of the clip of FIG. 1;
FIG. 6 is a rear elevation view of the clip of FIG. 1; and,
FIG. 7 is a front elevation view of the clip of FIG. 1.

(56) **References Cited**

U.S. PATENT DOCUMENTS

1,722,551 A * 7/1929 Zadek 24/DIG. 9
D243,441 S * 2/1977 Podd D8/367

1 Claim, 1 Drawing Sheet



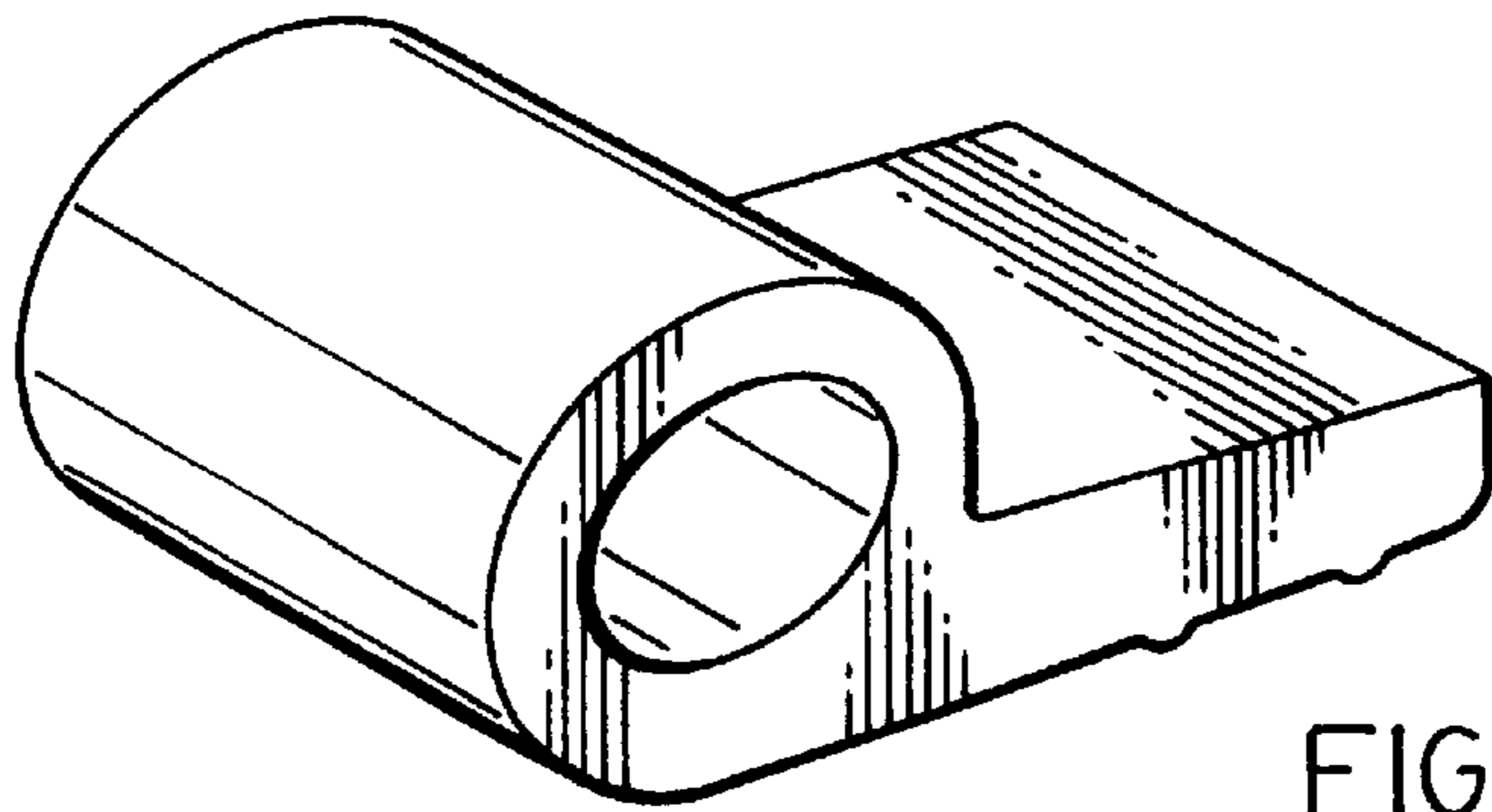


FIG. 1.

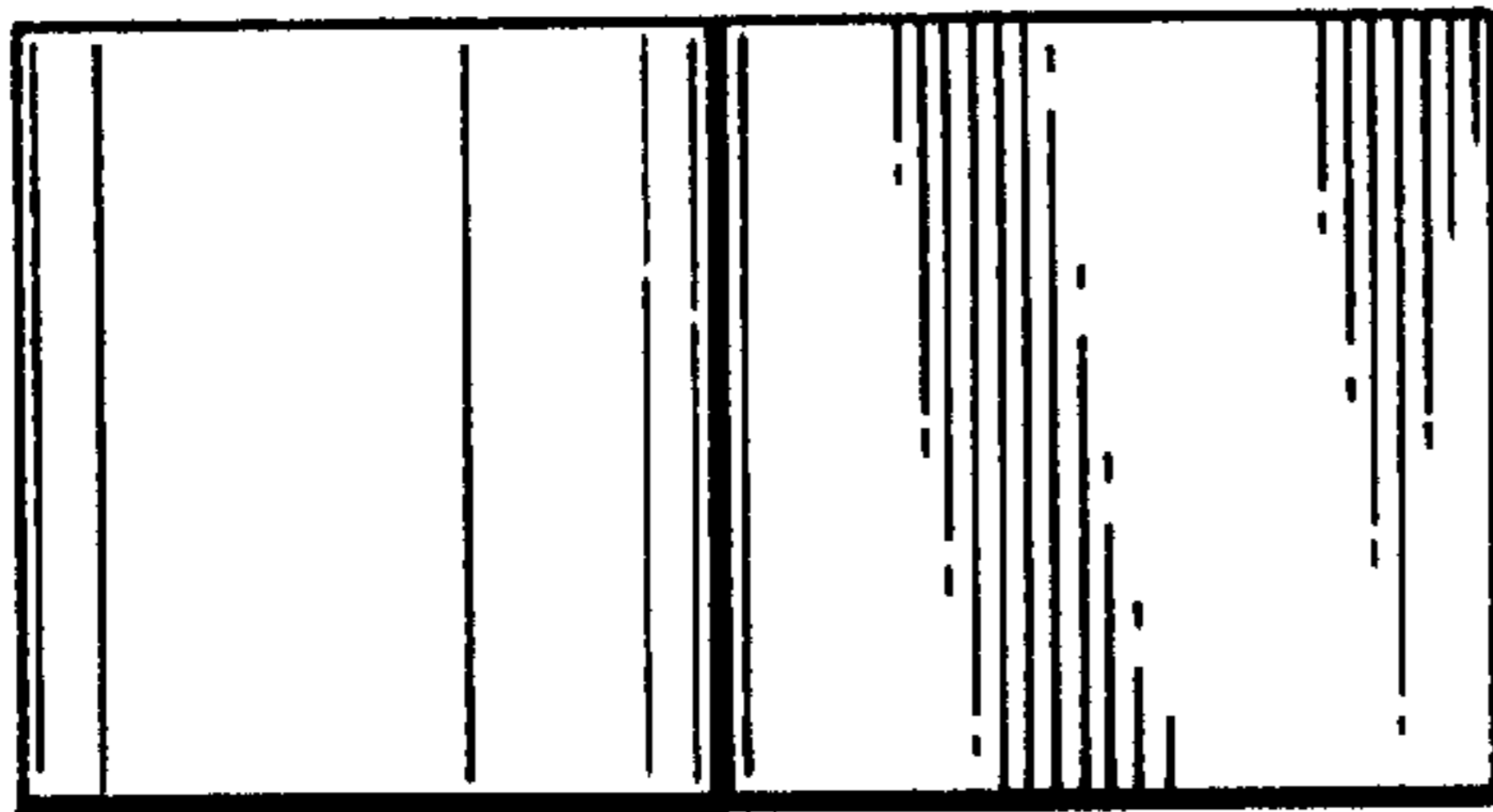


FIG. 2.

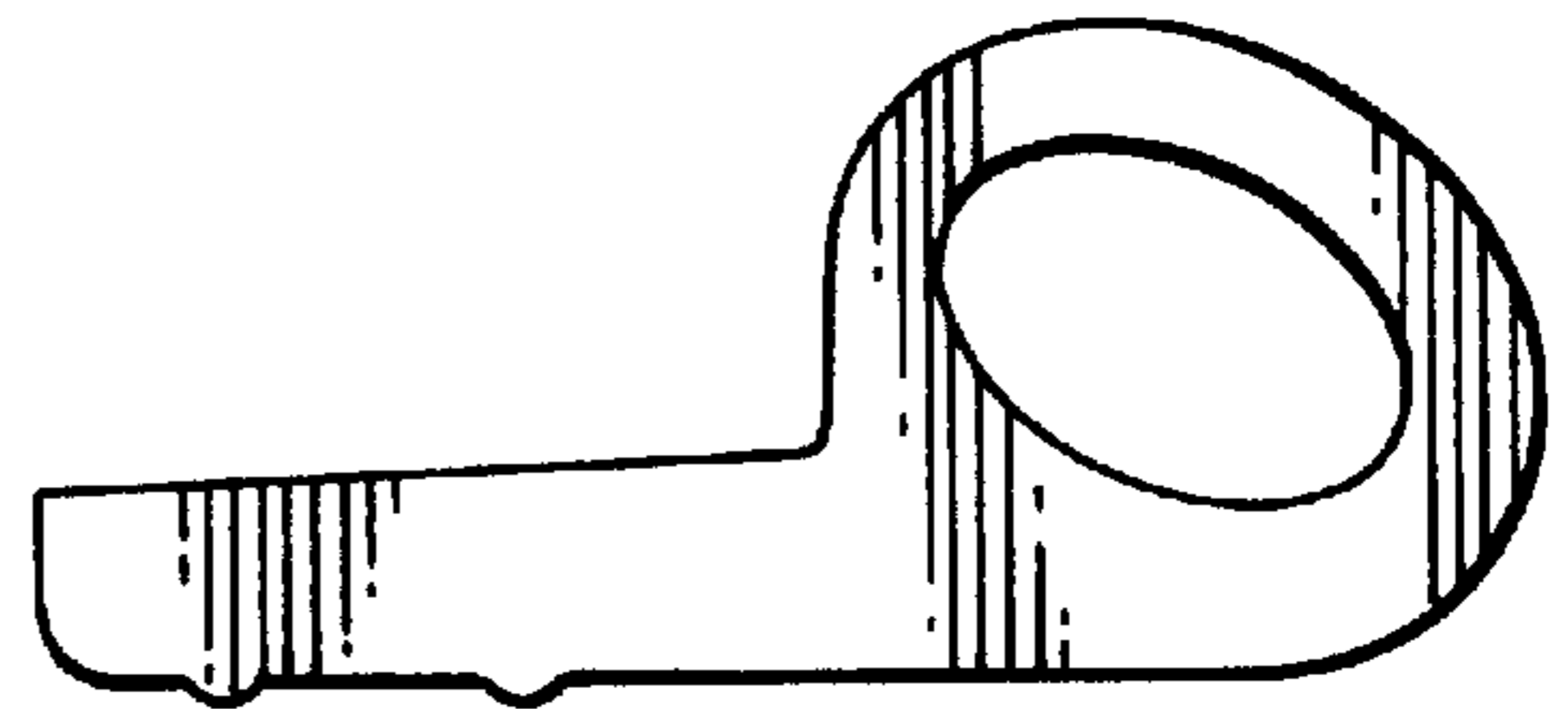


FIG. 5.

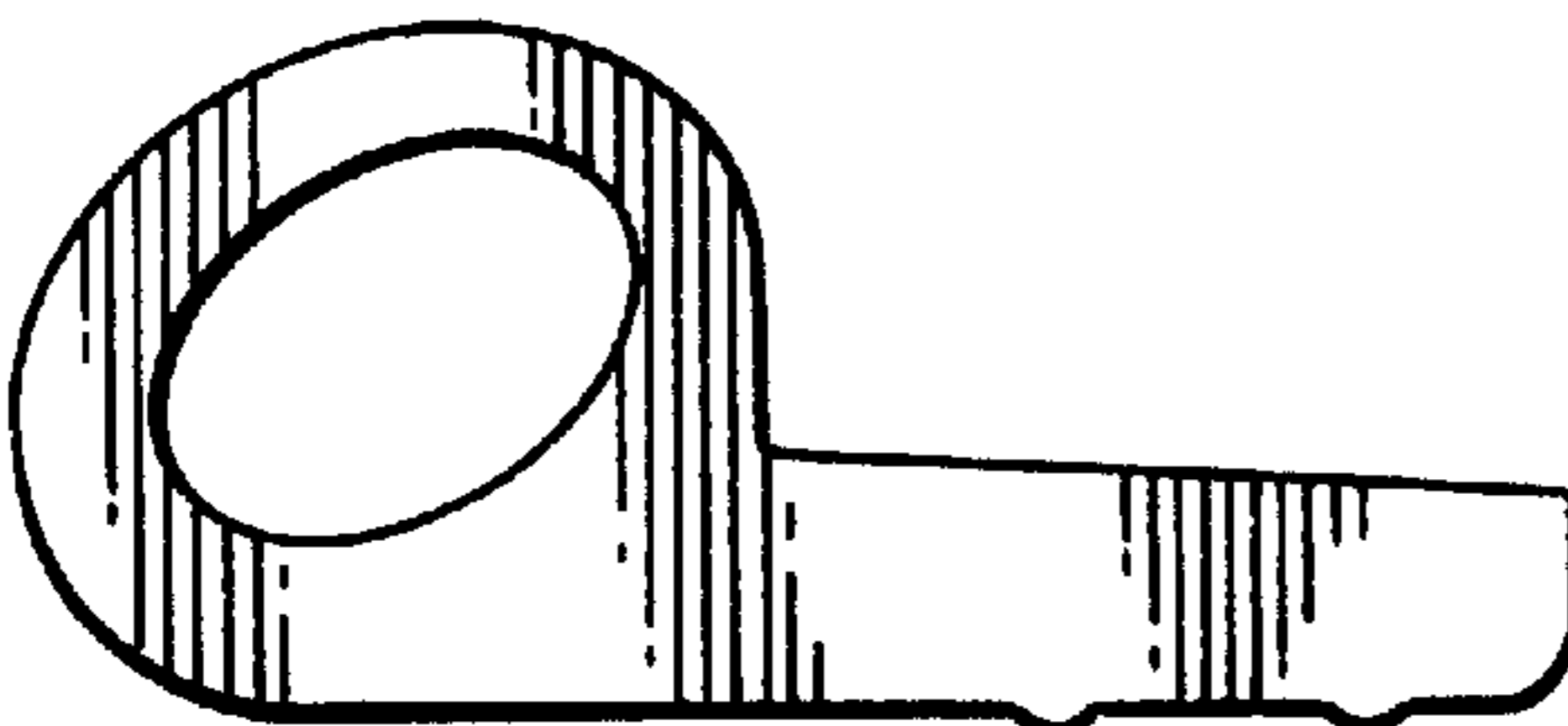


FIG. 3.

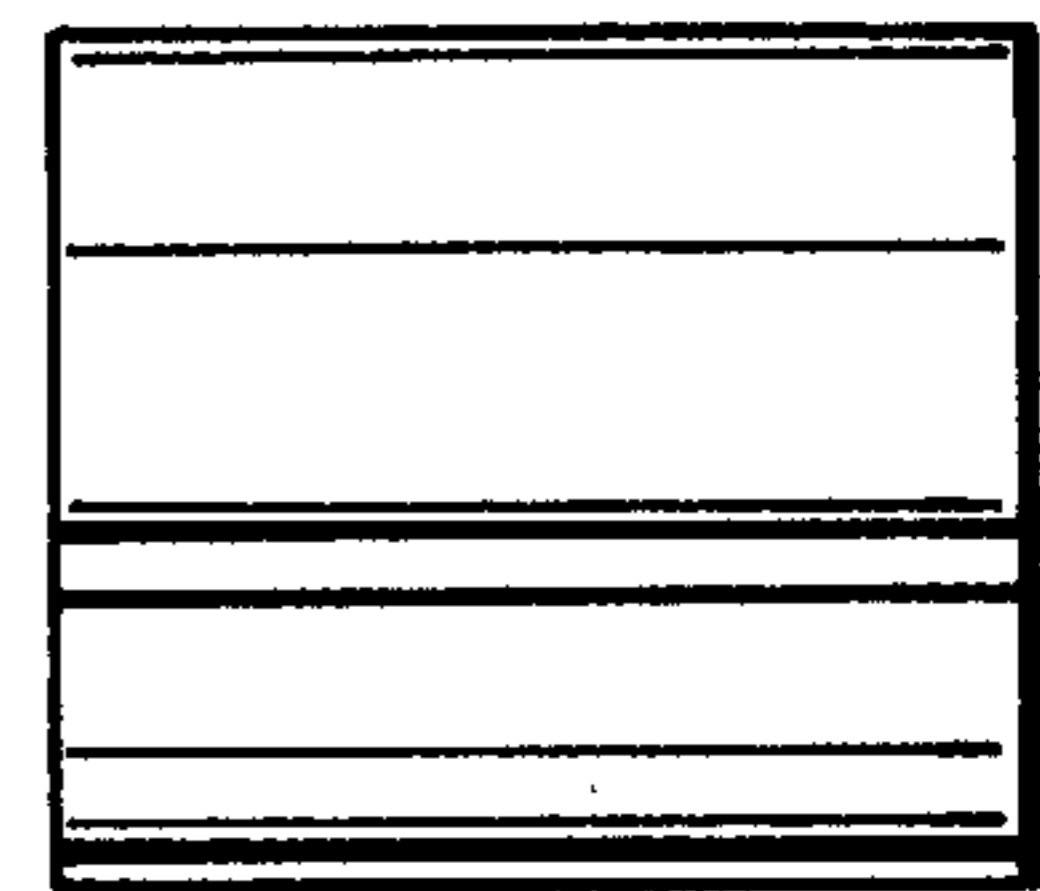


FIG. 6.

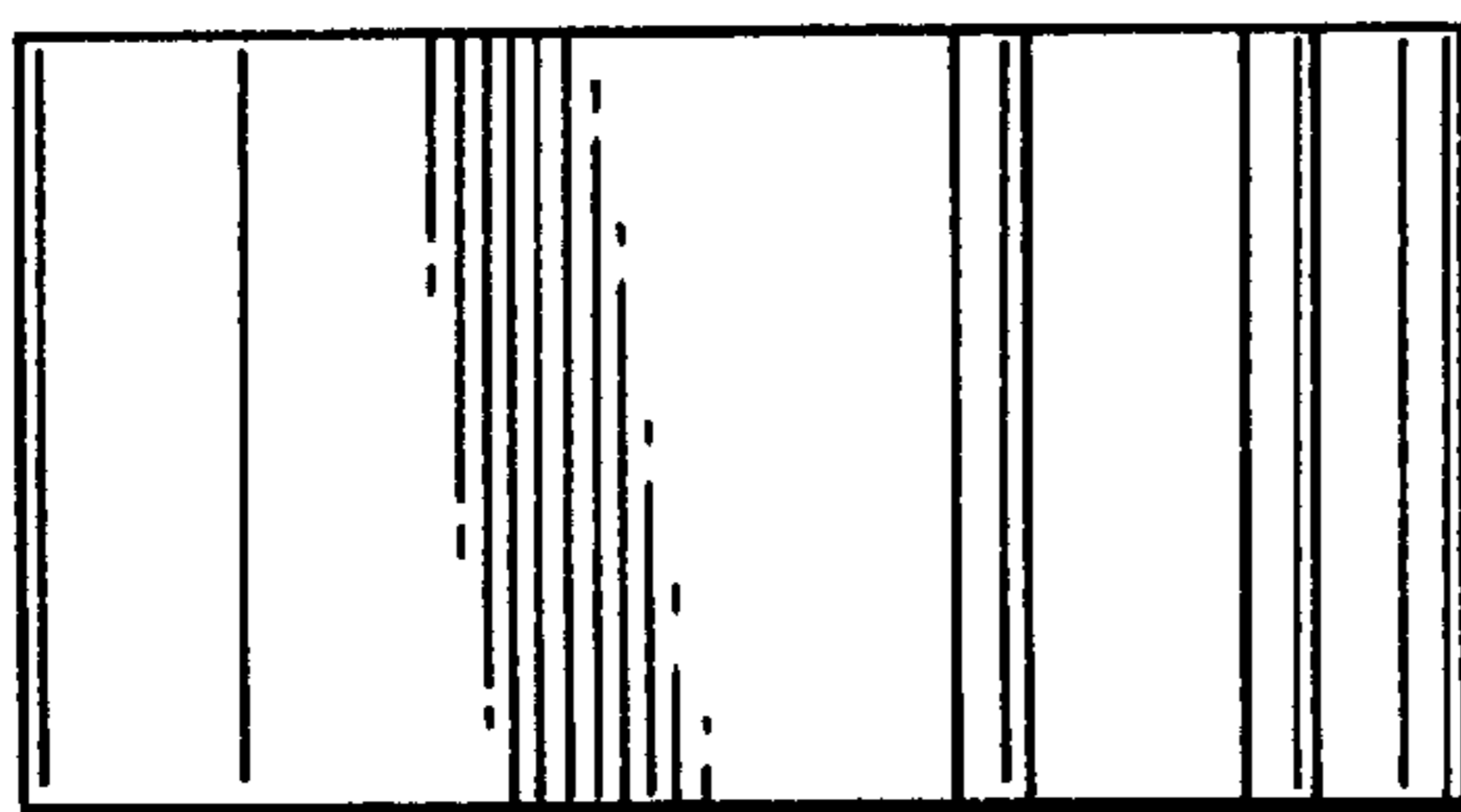


FIG. 4.

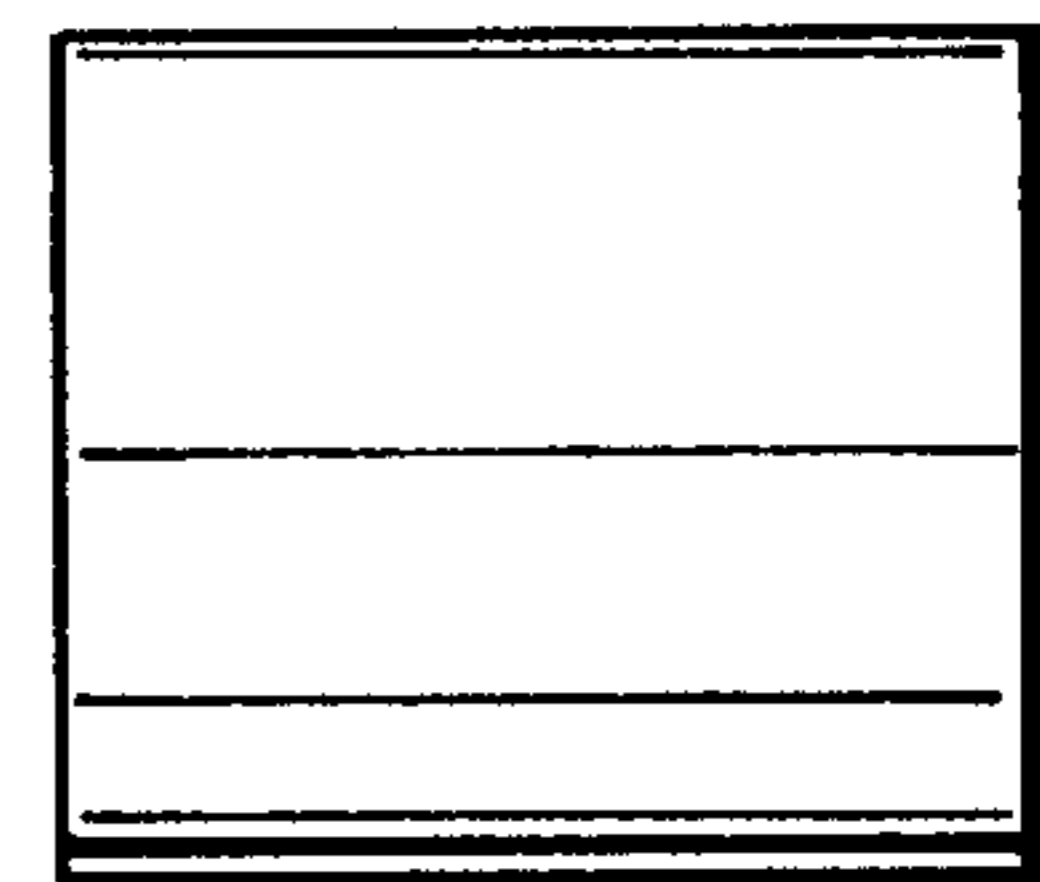


FIG. 7.