



US00D467158S

(12) **United States Design Patent**
Hawkins

(10) **Patent No.:** **US D467,158 S**

(45) **Date of Patent:** **** Dec. 17, 2002**

(54) **WIRE REEL DISPENSER**

4,944,472 A * 7/1990 Stahl 242/129
D344,229 S * 2/1994 Nelson D8/356

(76) Inventor: **Michael D. Hawkins**, 920 N. Amelia,
San Dimas, CA (US) 91773

* cited by examiner

(**) Term: **14 Years**

Primary Examiner—Stacia Cadmus
Assistant Examiner—Elizabeth A. Albert
(74) *Attorney, Agent, or Firm*—Boniard I. Brown

(21) Appl. No.: **29/155,008**

(22) Filed: **Feb. 1, 2002**

(57) **CLAIM**

(51) **LOC (7) Cl.** **08-05**

The ornamental design for a wire reel dispenser, as shown and described.

(52) **U.S. Cl.** **D8/358**

(58) **Field of Search** D8/349, 354, 355,
D8/356, 357, 358, 373, 380, 359, 363,
370; 242/129, 129.1, 129.5, 386, 387, 388,
397, 398, 407, 407.1, 443, 577.2, 591,
597.7, 604; 248/165, 166, 167, 175, 434

DESCRIPTION

(56) **References Cited**

U.S. PATENT DOCUMENTS

353,578 A * 11/1886 McKinny 242/597.7
1,674,709 A * 6/1928 Thomas 242/407.1
3,058,688 A * 10/1962 Abel D8/358
D220,310 S * 3/1971 Smith D8/358
3,837,597 A * 9/1974 Bourhenne 242/129
4,063,694 A * 12/1977 Lemin 242/423.1
4,167,255 A * 9/1979 Benson 242/129

FIG. 1 is a top side perspective view of a wire reel dispenser, showing my new design;
FIG. 2 is a bottom side perspective view thereof, opposite from the view of FIG. 1;
FIG. 3 is a side perspective view thereof;
FIG. 4 is a bottom view thereof; and,
FIG. 5 is a perspective view with the arms folded up, opposite from the view of FIG. 1.

The broken line showing of a stud in all figures is for illustrative purposes only and forms no part of the claimed design.

1 Claim, 3 Drawing Sheets

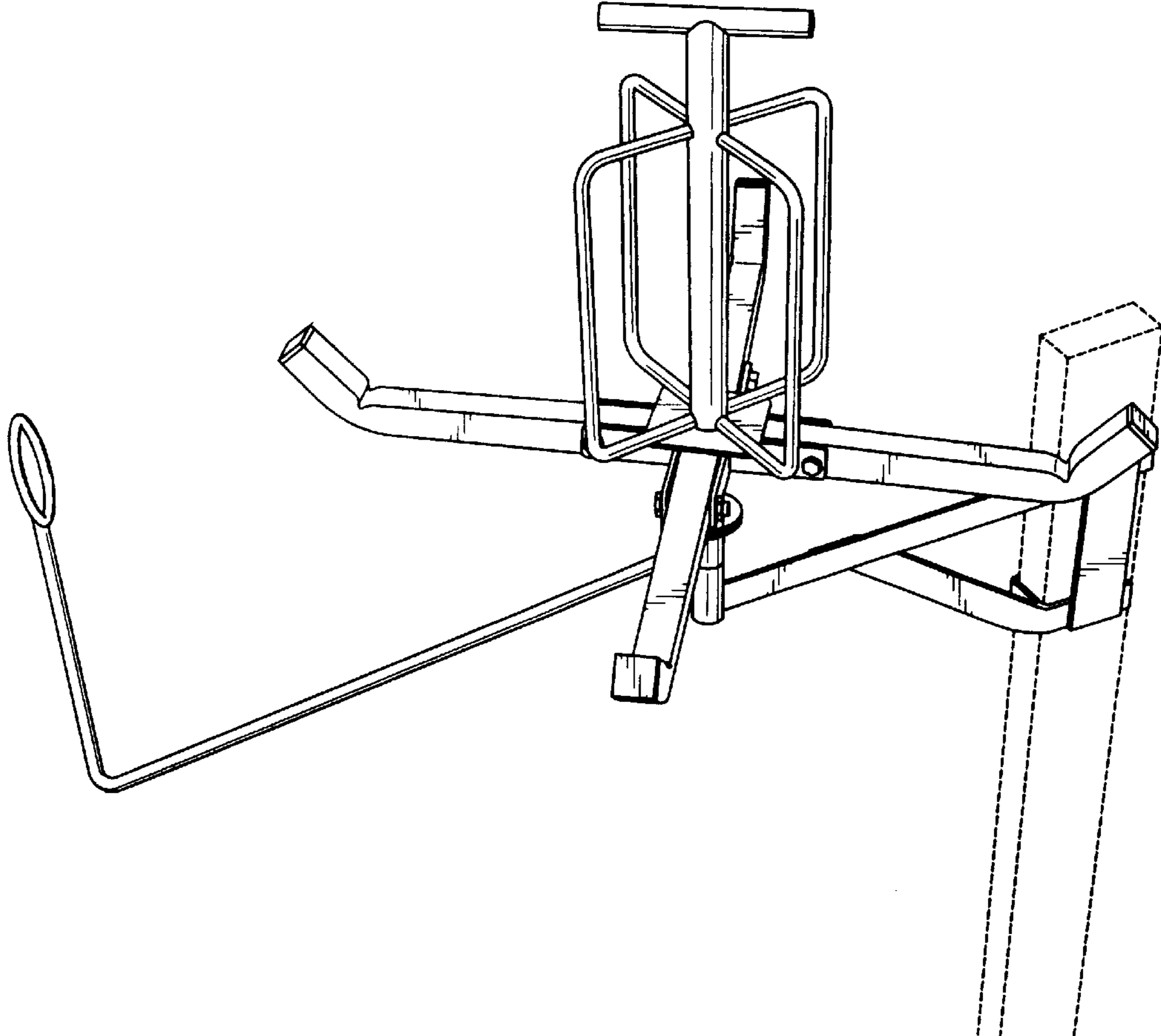


FIG. 1

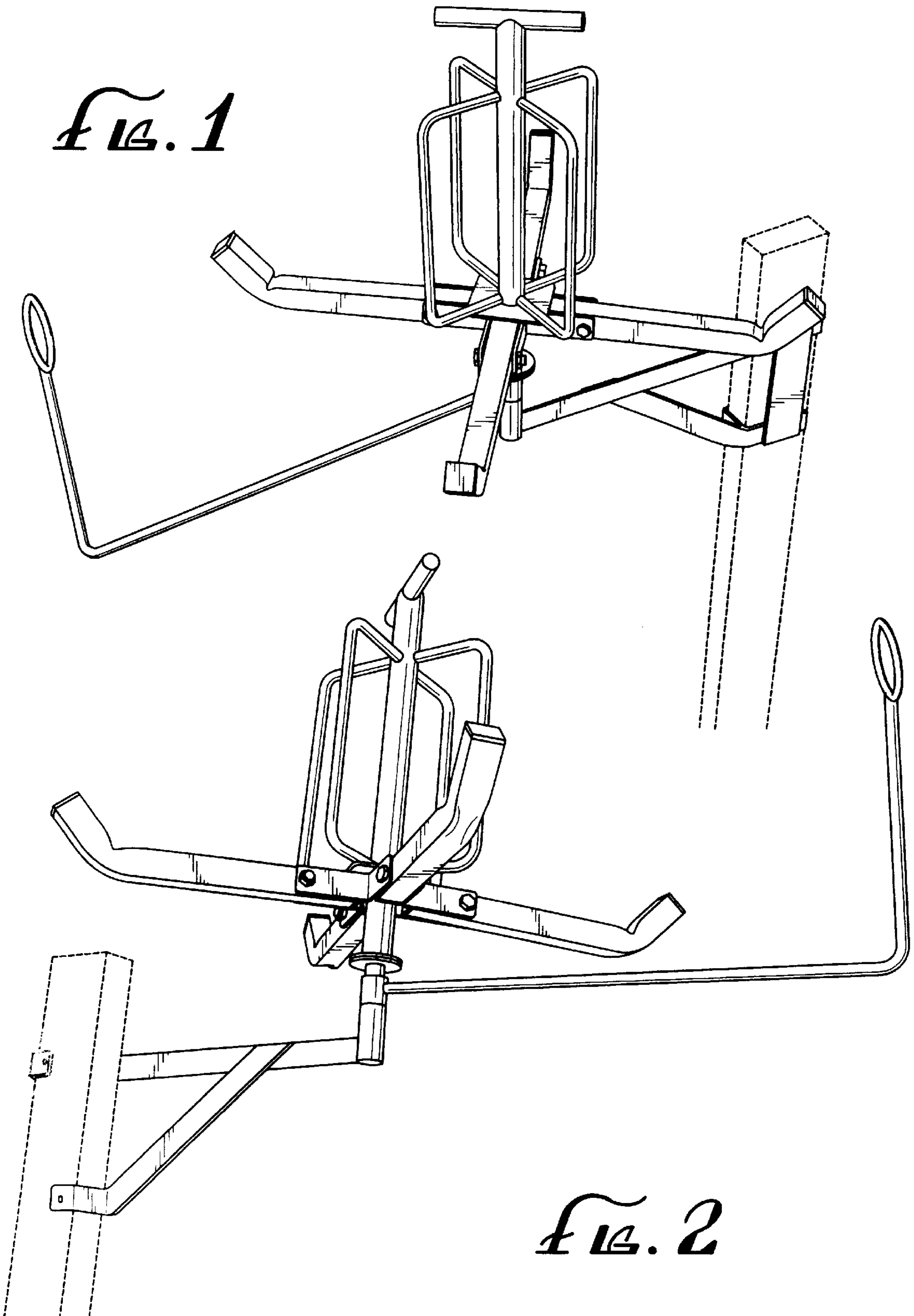
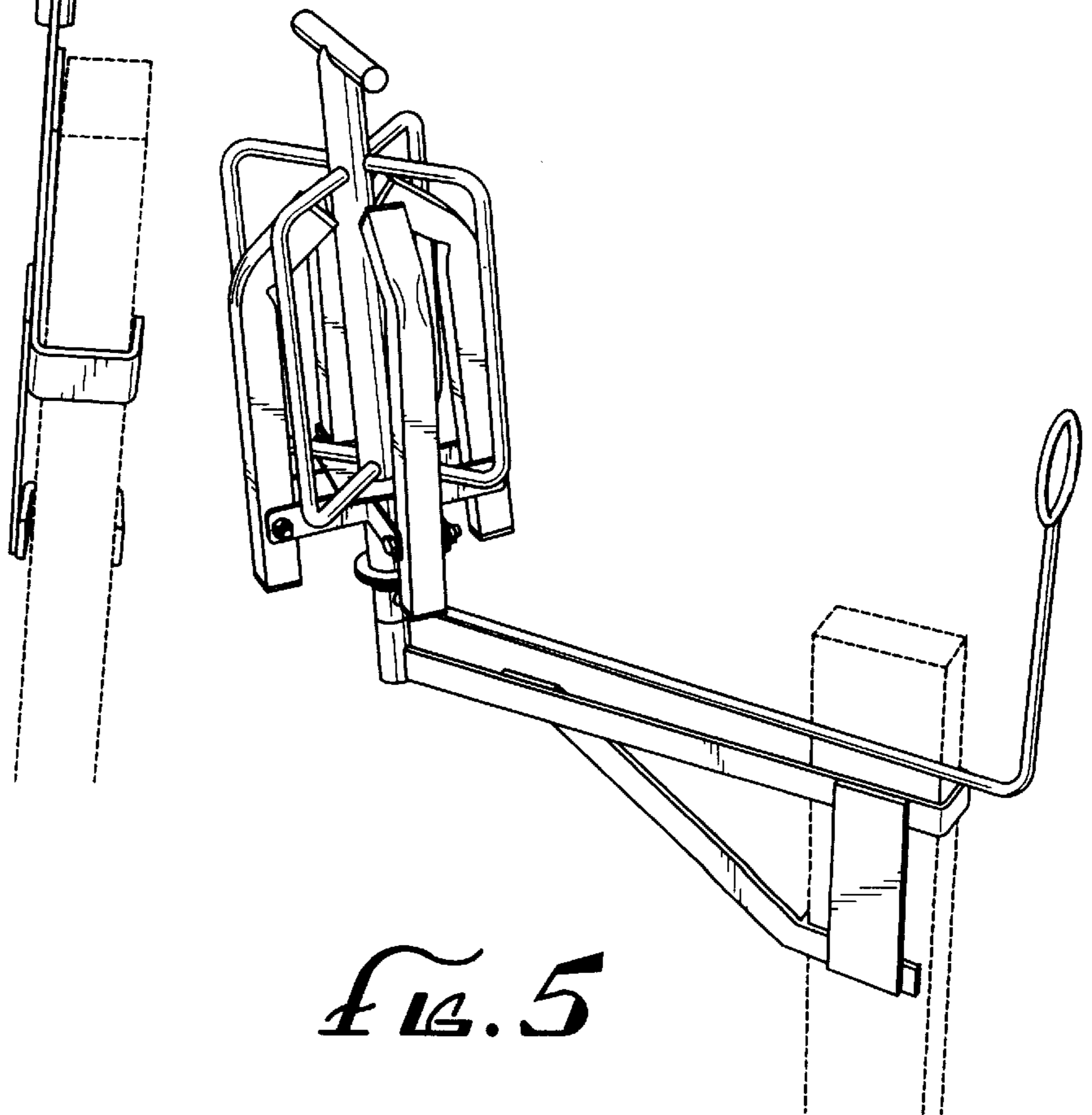
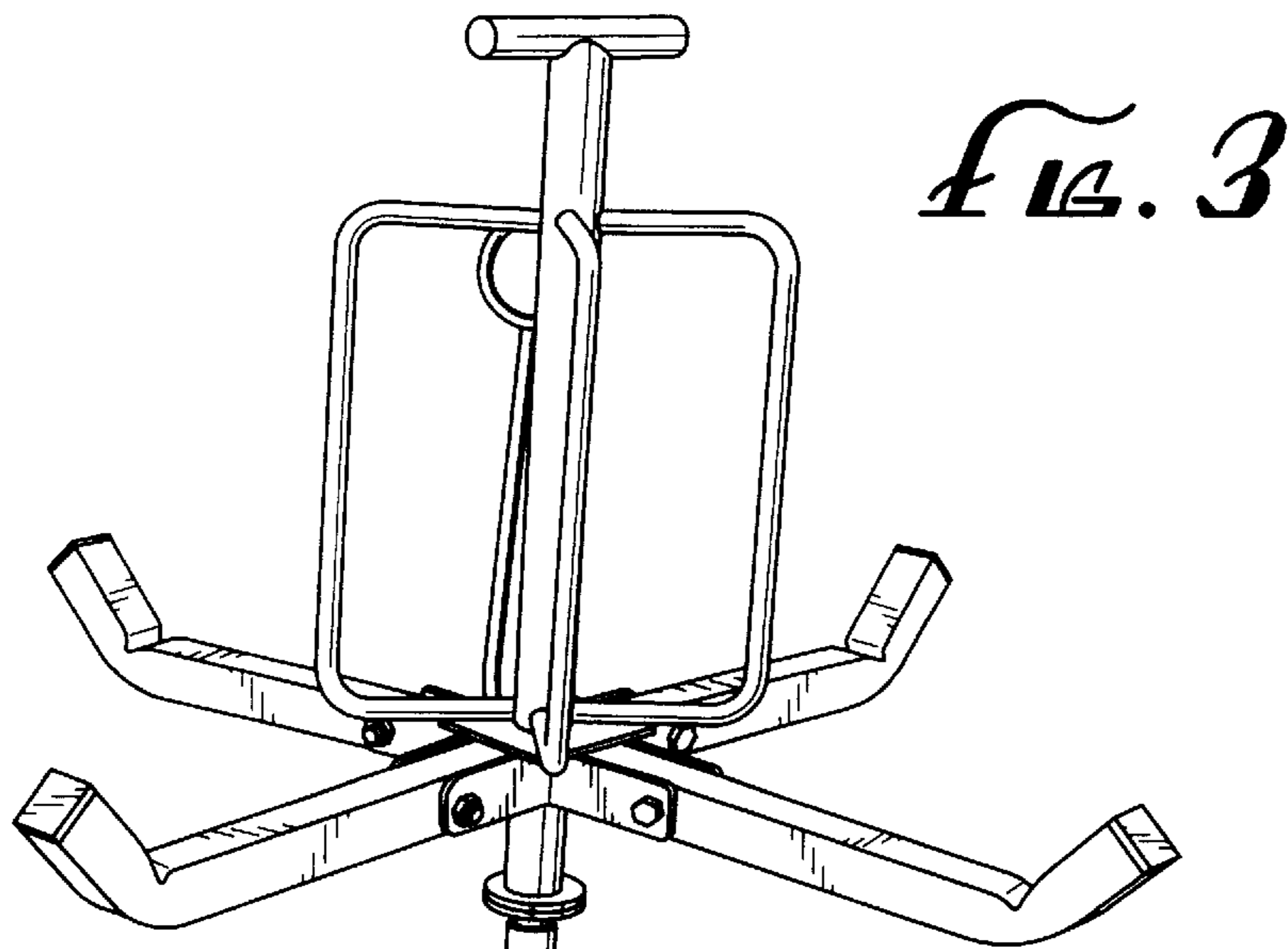


FIG. 2



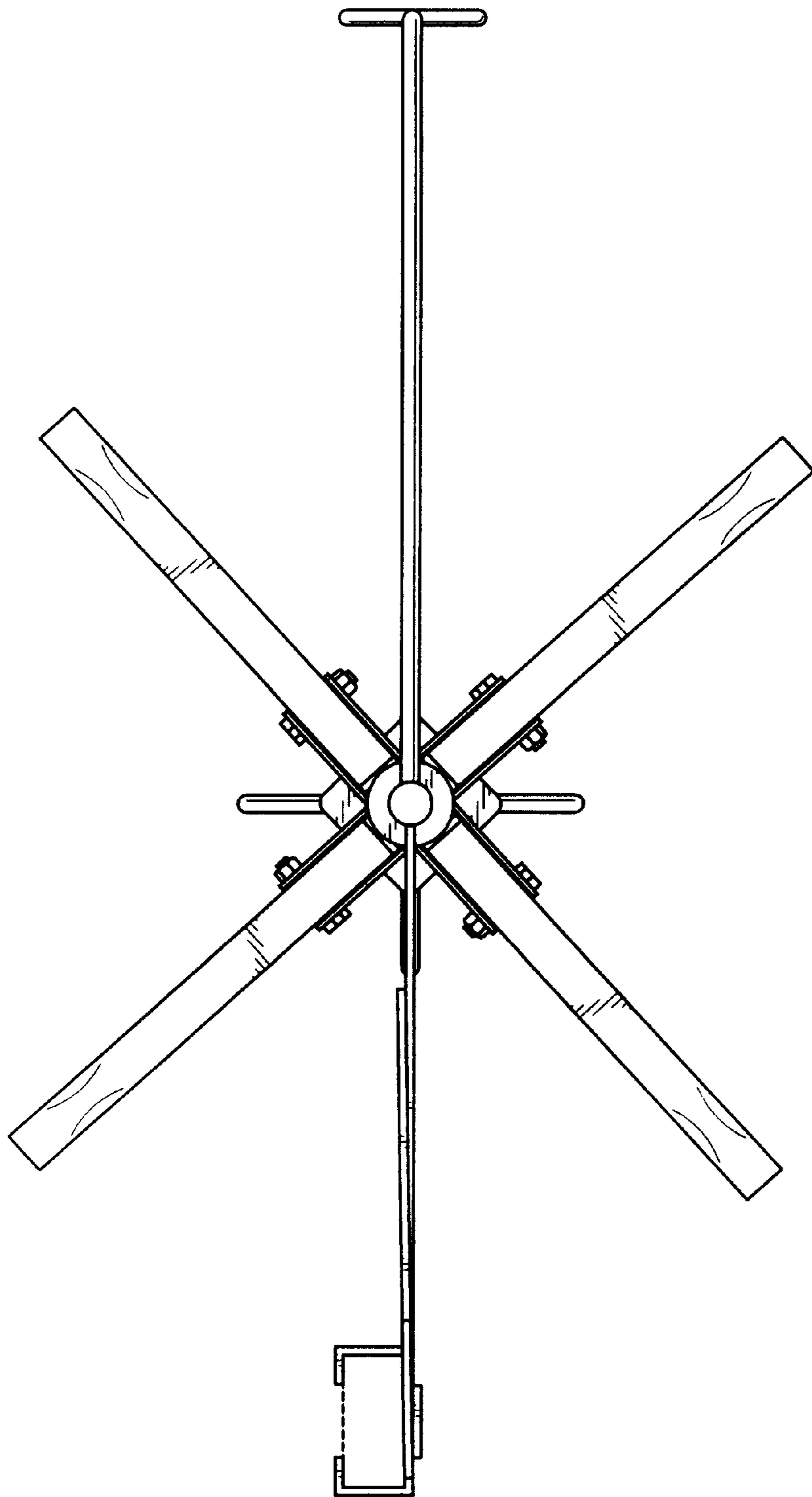


FIG. 4