



US00D467154S

(12) **United States Design Patent**
Song

(10) **Patent No.:** **US D467,154 S**

(45) **Date of Patent:** **** Dec. 17, 2002**

(54) **SWIVEL HANDLE FOR A RATCHET EXTENSION**

(76) **Inventor:** **In Wha Song**, 2100 W. Commonwealth Ave. #123, Fullerton, CA (US) 92833-3019

(**) **Term:** **14 Years**

(21) **Appl. No.:** **29/131,126**

(22) **Filed:** **Oct. 16, 2000**

(51) **LOC (7) Cl.** **08-05**

(52) **U.S. Cl.** **D8/107; D8/25**

(58) **Field of Search** D8/107, DIG. 4, D8/303, 98, 75, 80, 83, 87, 300, 25, 29; D7/395, 649; 16/110.1, 431; 81/489, 427.5

(56) **References Cited**

U.S. PATENT DOCUMENTS

- 419,571 A * 1/1890 Thring 81/62
- 5,762,344 A * 6/1998 Einvall 279/96
- 6,116,123 A * 9/2000 Chen 81/177.2

* cited by examiner

Primary Examiner—Alan P. Douglas

Assistant Examiner—Clare E. Heflin

(57) **CLAIM**

The ornamental design for the swivel handle for a ratchet extension, as shown and described.

DESCRIPTION

FIG. 1 is a perspective view of the swivel handle for a ratchet extension showing my new design;
 FIG. 2 is a front elevational view thereof;
 FIG. 3 is a top plan view of both FIGS. 1 and 8;
 FIG. 4 is a bottom plan view thereof;
 FIG. 5 is a perspective view of the ratchet extension portion thereof, the swivel handle being removed for clarity of disclosure only;
 FIG. 6 is an exploded perspective view of the swivel handle portion thereof, the parts being shown separated and the ratchet extension being removed, for clarity of disclosure only;
 FIG. 7 is a bottom plan view of FIG. 5;
 FIG. 8 is a perspective view of the swivel handle for a ratchet extension showing an alternate embodiment of my new design;
 FIG. 9 is a side elevational view thereof; and,
 FIG. 10 is a bottom plan view thereof.
 The ratchet extension is shown broken-away in FIGS. 1, 2, 5, 8 and 9 to depict indeterminate length.

1 Claim, 4 Drawing Sheets

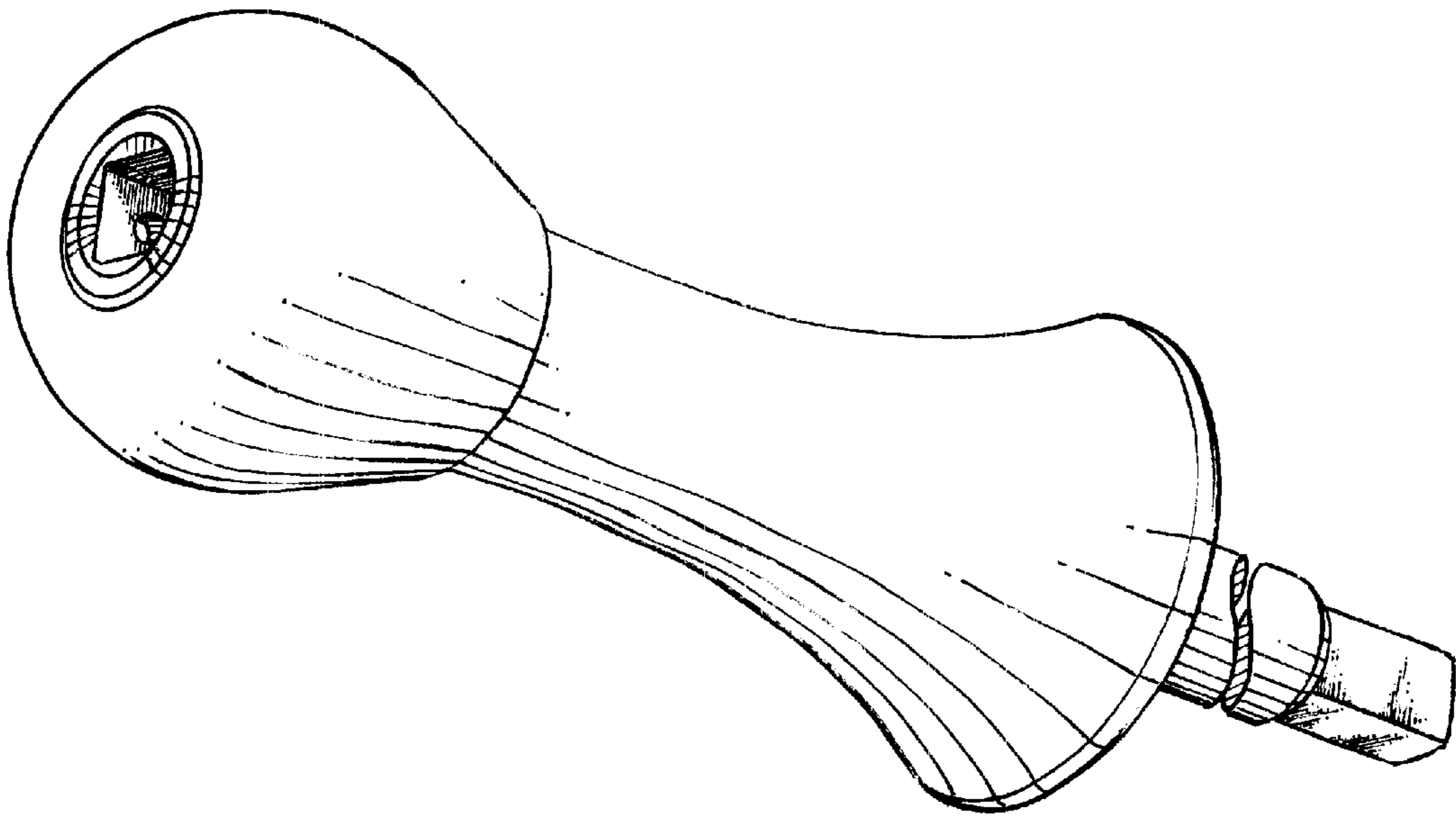


FIG.1

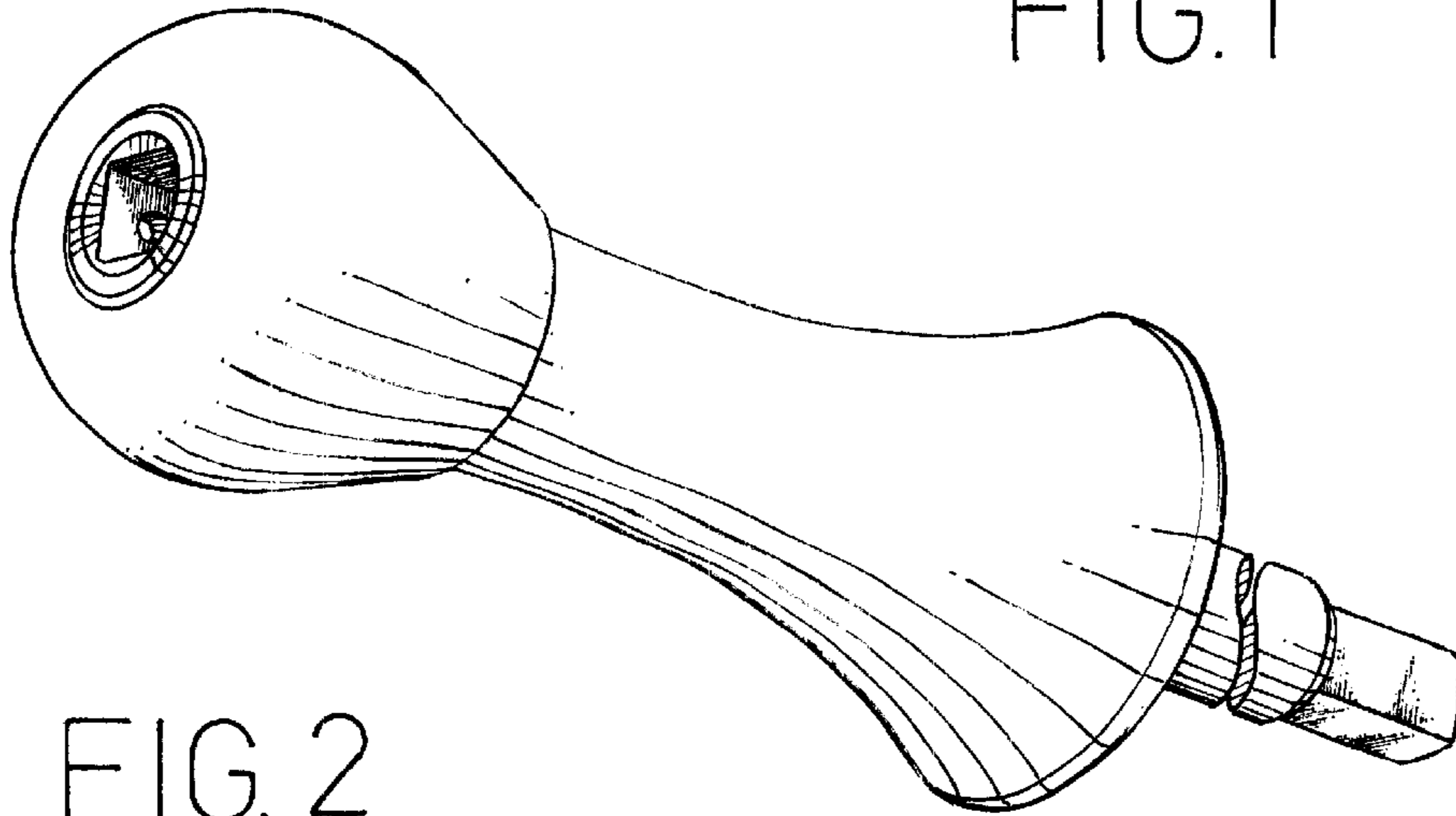


FIG. 2

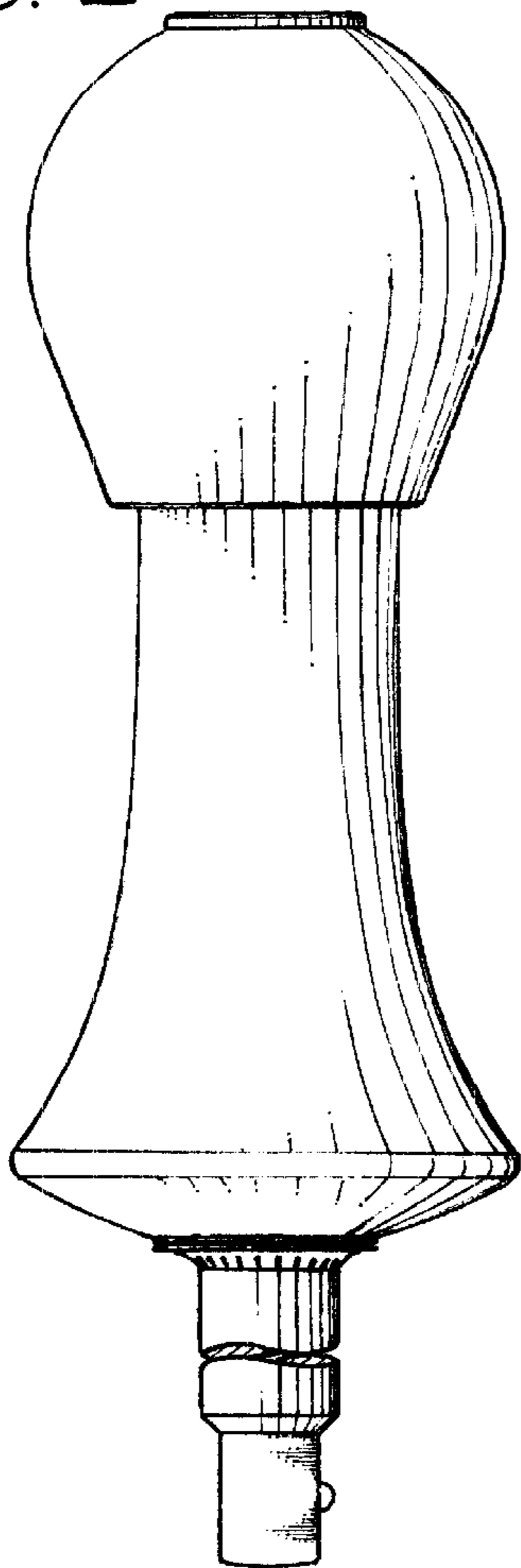


FIG.3

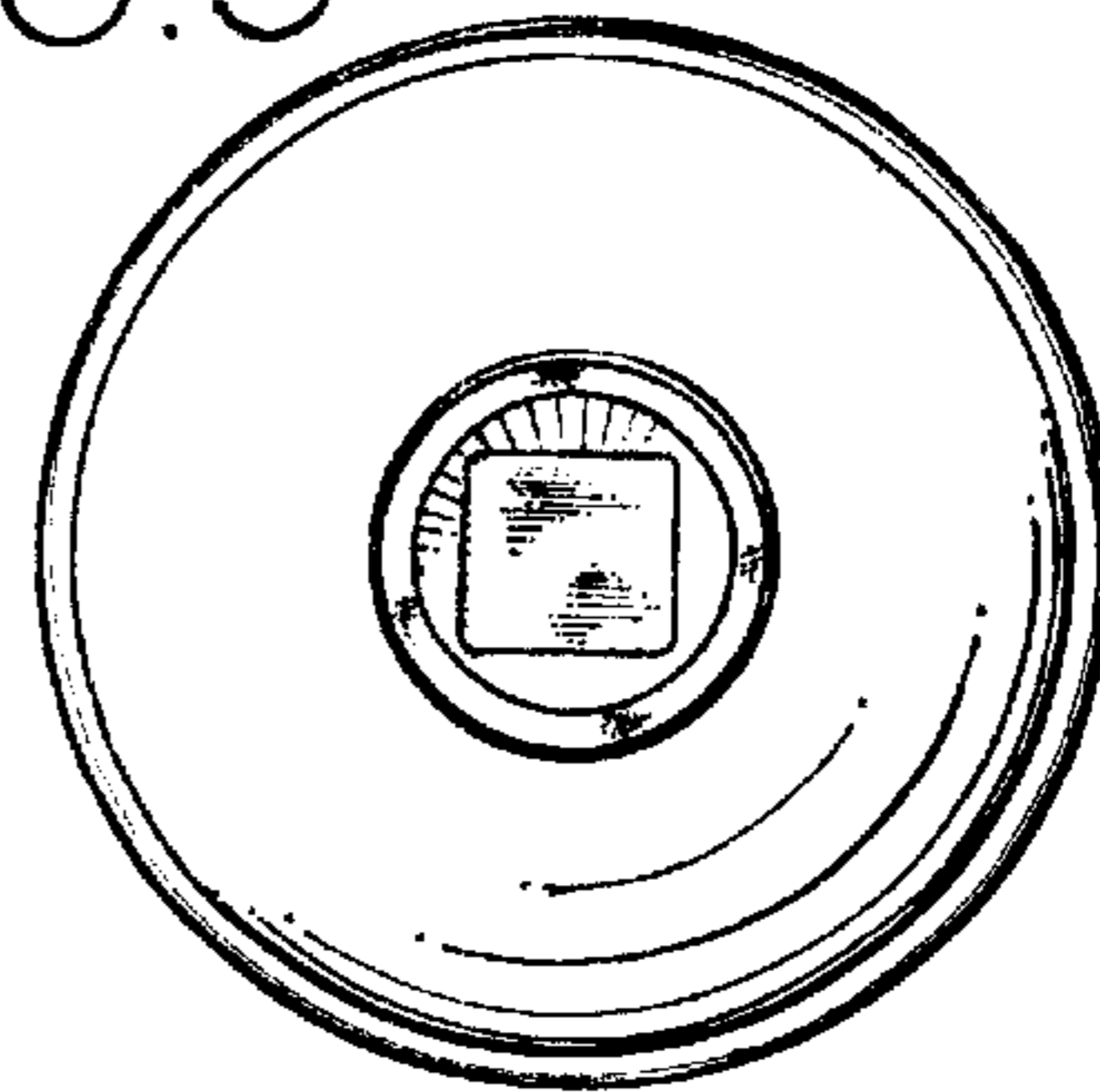


FIG.4

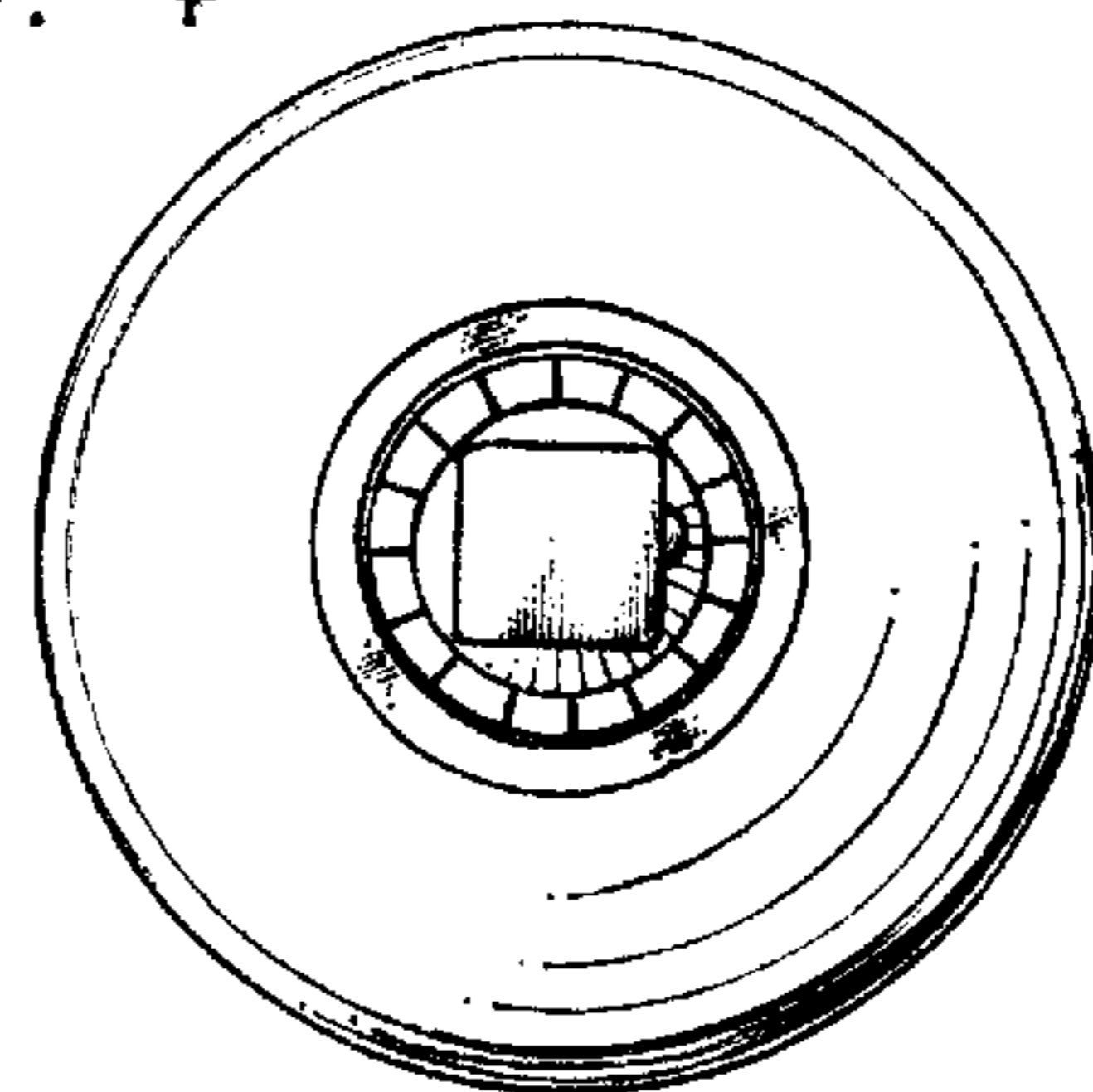


FIG. 5

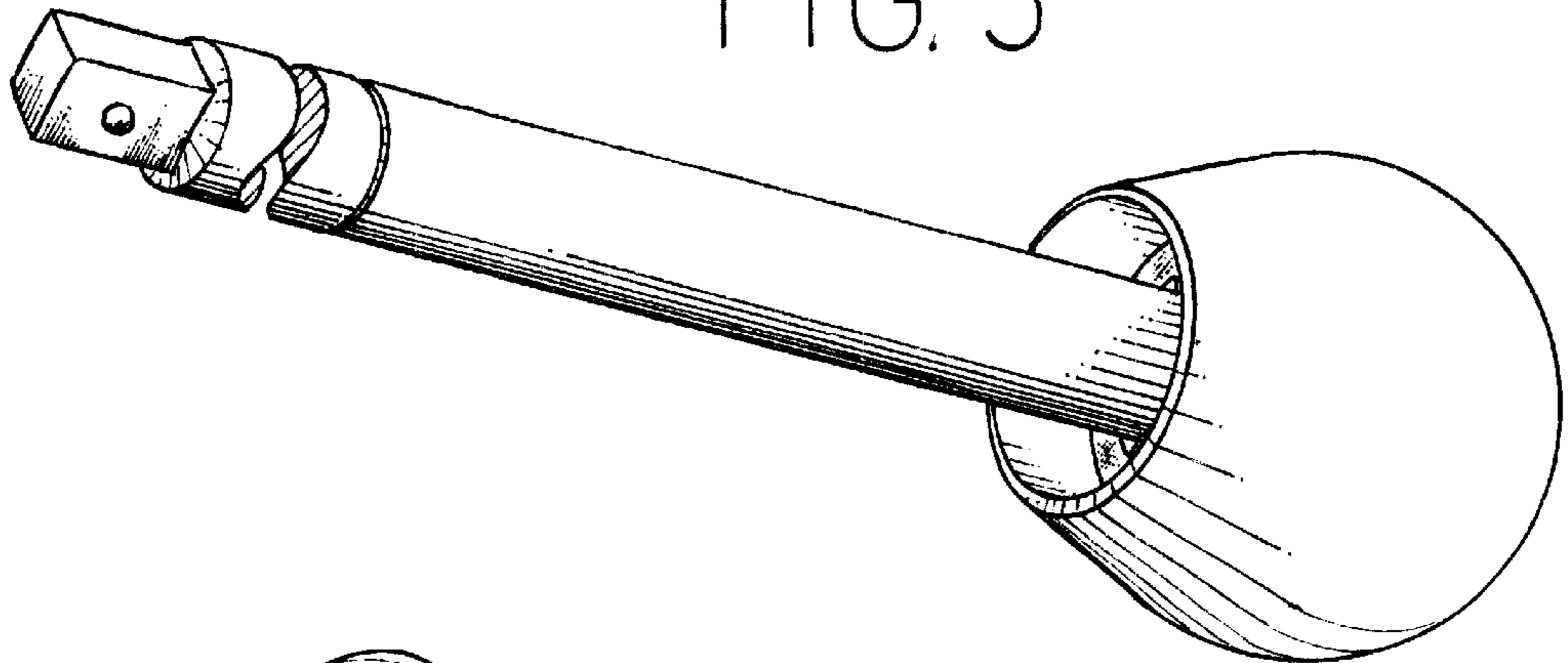


FIG. 6

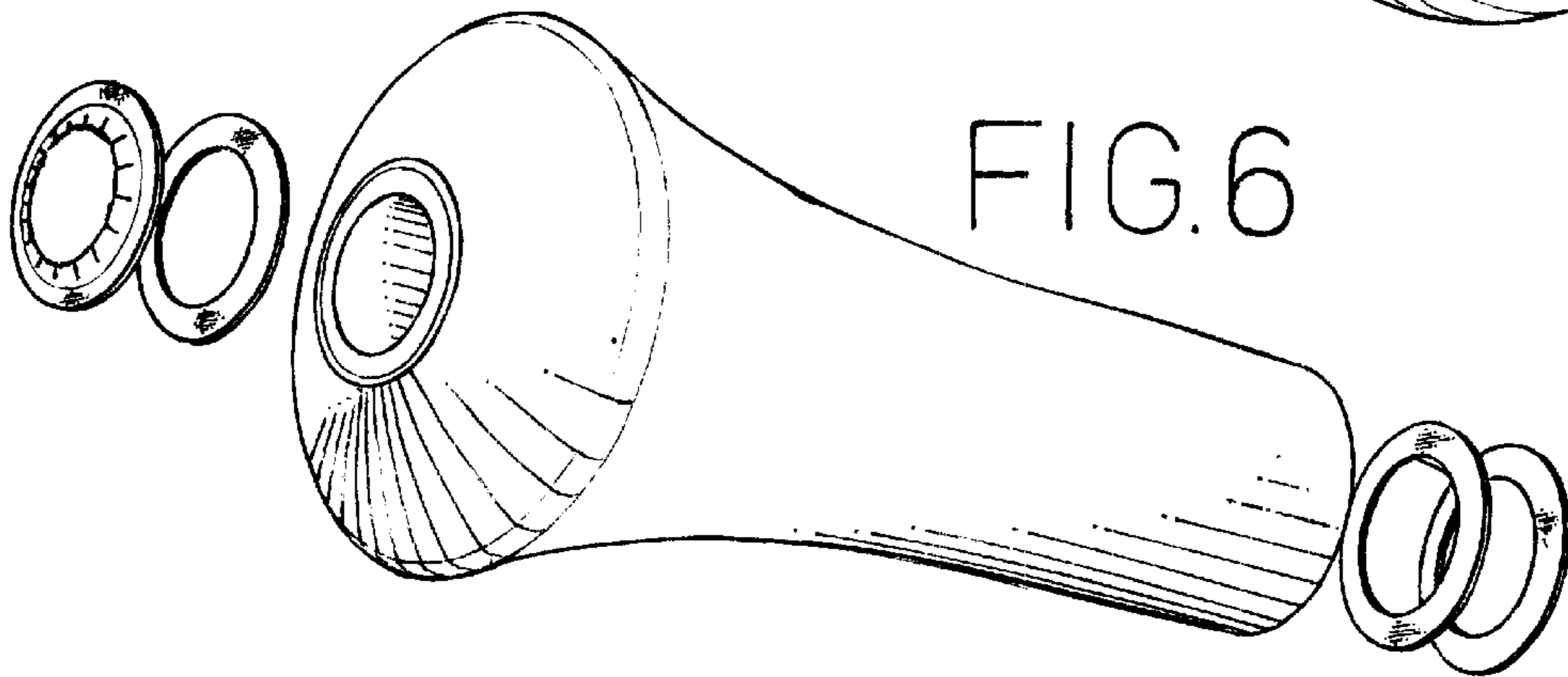


FIG. 7

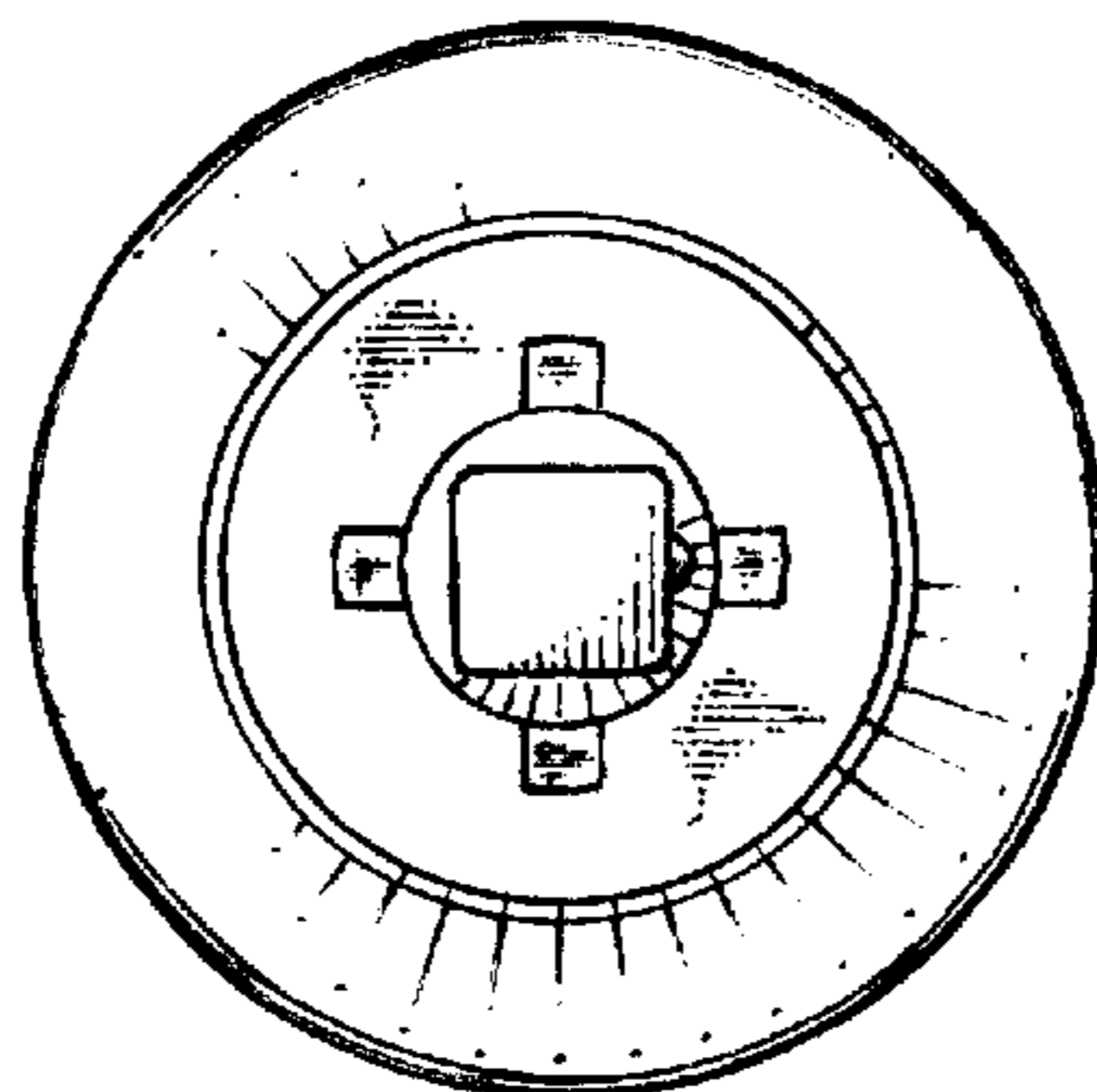


FIG. 8

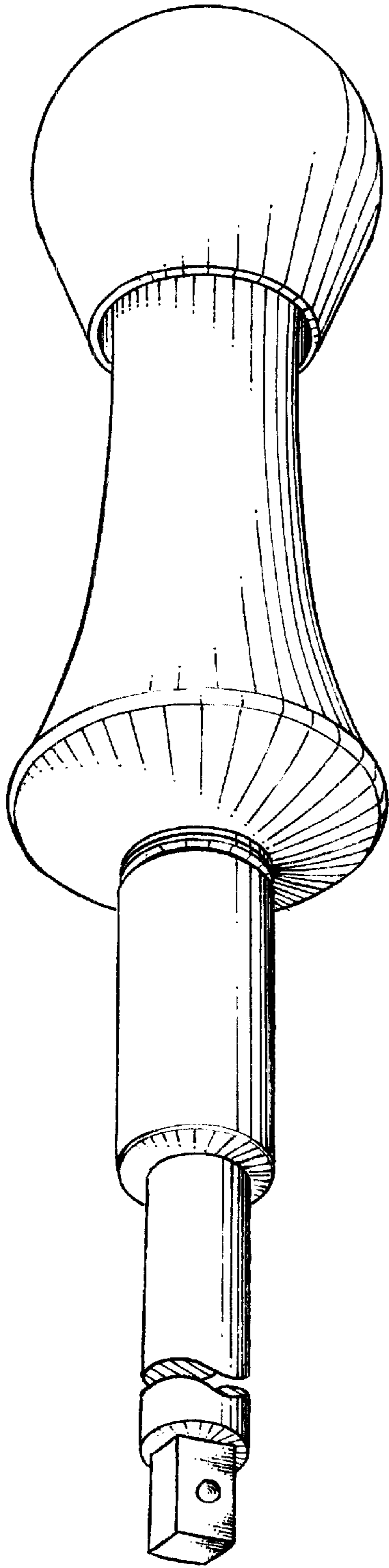
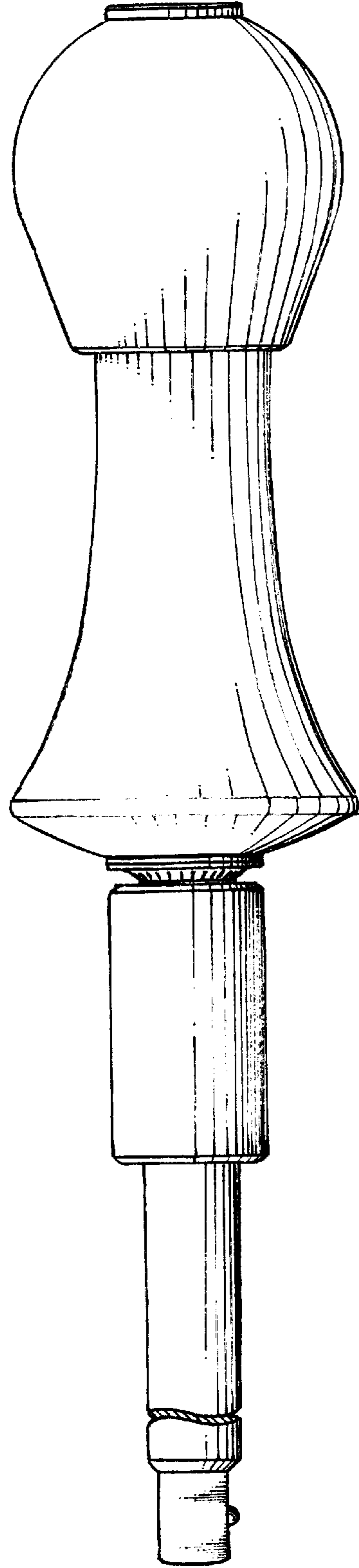


FIG. 9



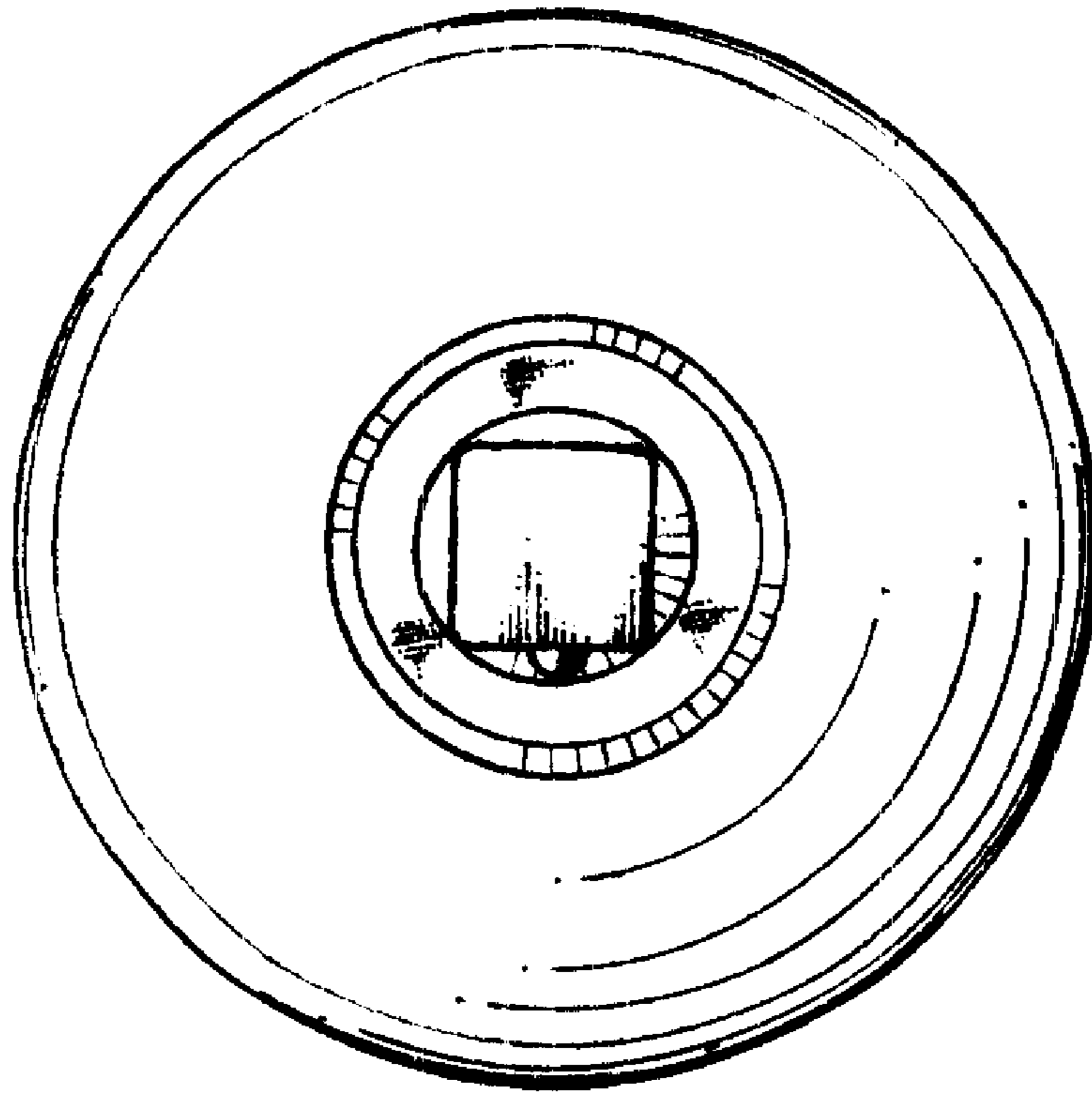


FIG. 10