



US00D467153S

(12) **United States Design Patent**
Edwards

(10) **Patent No.:** **US D467,153 S**

(45) **Date of Patent:** **** Dec. 17, 2002**

(54) **SCREWDRIVER**

(75) **Inventor:** **Christopher Edwards**, Wappingers Falls, NY (US)

(73) **Assignee:** **General Tools Mfg., Co., LLC**, New York, NY (US)

(**) **Term:** **14 Years**

(21) **Appl. No.:** **29/149,530**

(22) **Filed:** **Oct. 10, 2001**

Related U.S. Application Data

(62) Division of application No. 29/134,658, filed on Dec. 27, 2000, now Pat. No. Des. 454,767.

(51) **LOC (7) Cl.** **08-04**

(52) **U.S. Cl.** **D8/83; D8/82; D8/85**

(58) **Field of Search** D8/82, 83, 84, D8/85, 86, 87, 107; 81/436, 177.1, 437, 438, 439, 440, 489

(56) **References Cited**

U.S. PATENT DOCUMENTS

- D334,128 S * 3/1993 Gomas D8/83
- D335,074 S * 4/1993 Hahn D8/107
- D338,385 S * 8/1993 Shu D8/83
- D347,373 S * 5/1994 Tsai D8/107
- D376,528 S 12/1996 Krapowicz D8/82
- D379,750 S * 6/1997 Thompson et al. D8/83
- D393,582 S * 4/1998 Amtenbrink et al. D8/82

- D401,831 S * 12/1998 Moody D8/107
- D413,782 S 9/1999 Krapowicz D8/82
- D432,382 S * 10/2000 Hsu D8/82
- D440,479 S * 4/2001 Hsiao D8/82

* cited by examiner

Primary Examiner—Philip S. Hyder

(74) *Attorney, Agent, or Firm*—Ladas & Parry

(57) **CLAIM**

The ornamental design for a screwdriver, as shown and described.

DESCRIPTION

FIG. 1 is a front elevational view of a screwdriver, the rear elevational view thereof being a mirror image, and therefore not shown; and the blade portion being shown in broken lines and therefore disclaimed;

FIG. 2 is a top view of the screwdriver of FIG. 1, the bottom view being a mirror image, and therefore, not shown;

FIG. 3 is a right end view of the screwdriver of FIG. 1;

FIG. 4 is a left end view of the screwdriver of FIG. 1;

FIG. 5 is front/top/right end perspective view of the screwdriver of FIG. 1;

FIG. 6 is a rear/bottom/left end perspective view of the screwdriver of FIG. 1; and,

FIG. 7 is an exploded view of the screwdriver of FIG. 1.

The broken line showing of the blade portion is for illustrative purposes only and forms no part of the claimed design.

1 Claim, 3 Drawing Sheets

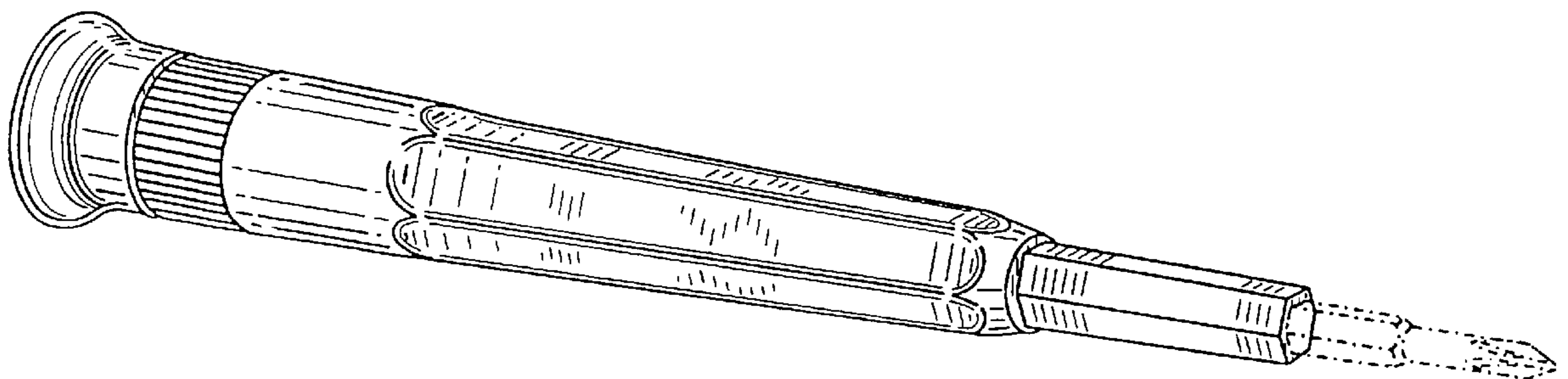




FIG. 4

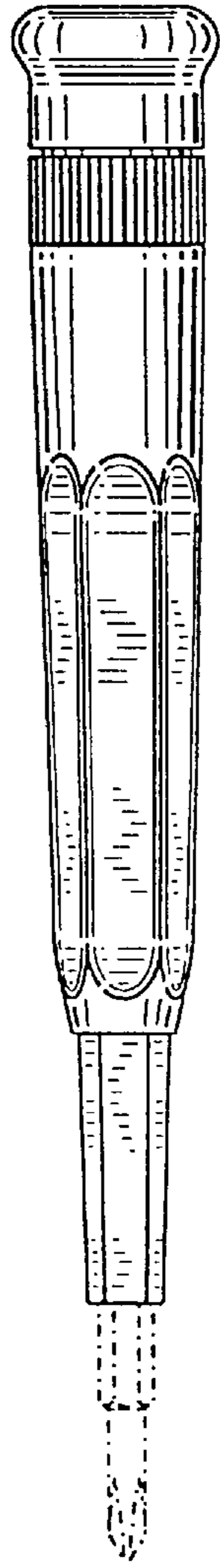


FIG. 1

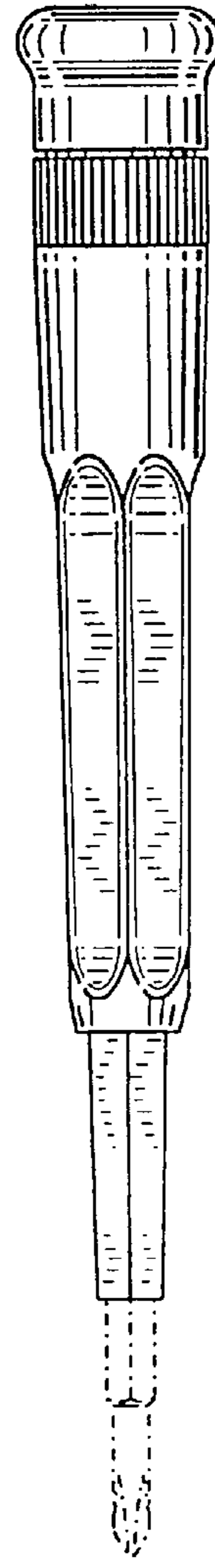


FIG. 2



FIG. 3

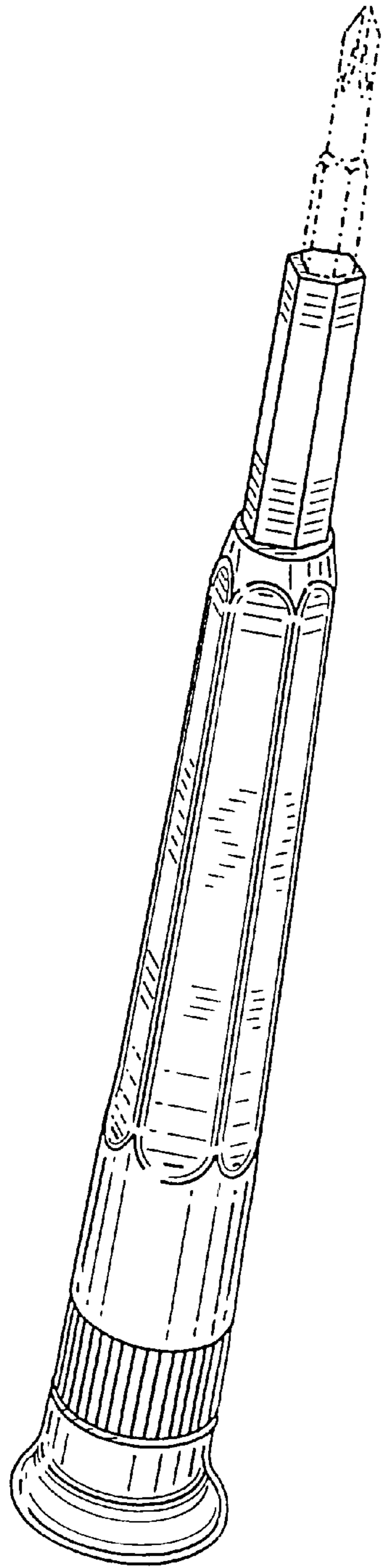


FIG. 5

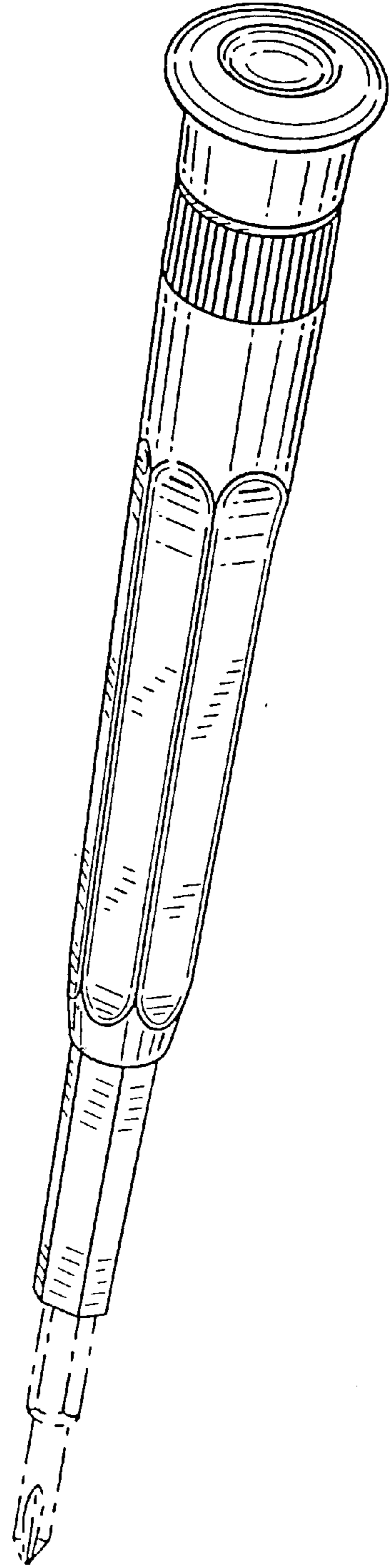


FIG. 6

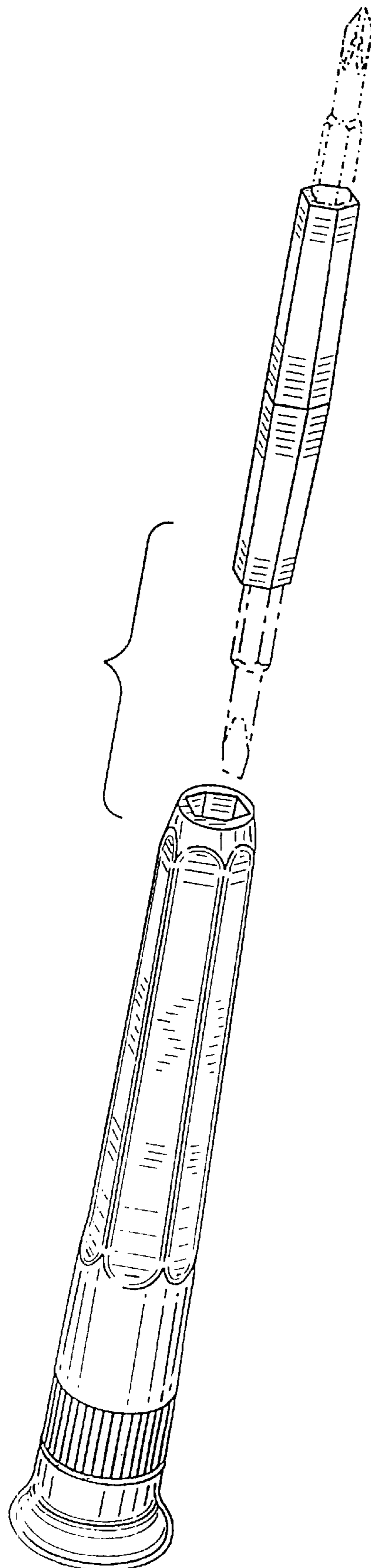


FIG. 7