



US00D467151S

(12) **United States Design Patent**
Ho

(10) **Patent No.:** **US D467,151 S**

(45) **Date of Patent:** **** Dec. 17, 2002**

(54) **ELECTRIC NAILING TOOL**

D432,883 S * 10/2000 Wingert D8/69
D448,264 S * 9/2001 Lee D8/69

(75) Inventor: **Chung-Yen Ho**, Taichung Hsien (TW)

OTHER PUBLICATIONS

(73) Assignee: **Acuman Power Tools Corp.**, Taichung Hsien (TW)

M-III model heavy duty staple nailer, Sonco Nailers and Staplers brochure, middle pages.*

(**) Term: **14 Years**

* cited by examiner

(21) Appl. No.: **29/148,536**

Primary Examiner—Doris V. Coles

(22) Filed: **Sep. 20, 2001**

Assistant Examiner—T. Chase Nelson

(51) **LOC (7) Cl.** **08-02**

(52) **U.S. Cl.** **D8/69**

(74) *Attorney, Agent, or Firm*—Alan Kamrath; Rider, Bennett, Egan & Arundel, LLP

(58) **Field of Search** D8/61, 62, 63,
D8/64, 65, 66, 67, 68, 69, 70; 81/57.11,
429, 464; 173/48, 109, 169, 178; 227/2,
8, 114, 120, 123, 130, 131, 136, 142; 310/50,
124, 241 R

(57) **CLAIM**

The ornamental design for electric nailing tool, as shown and described.

(56) **References Cited**

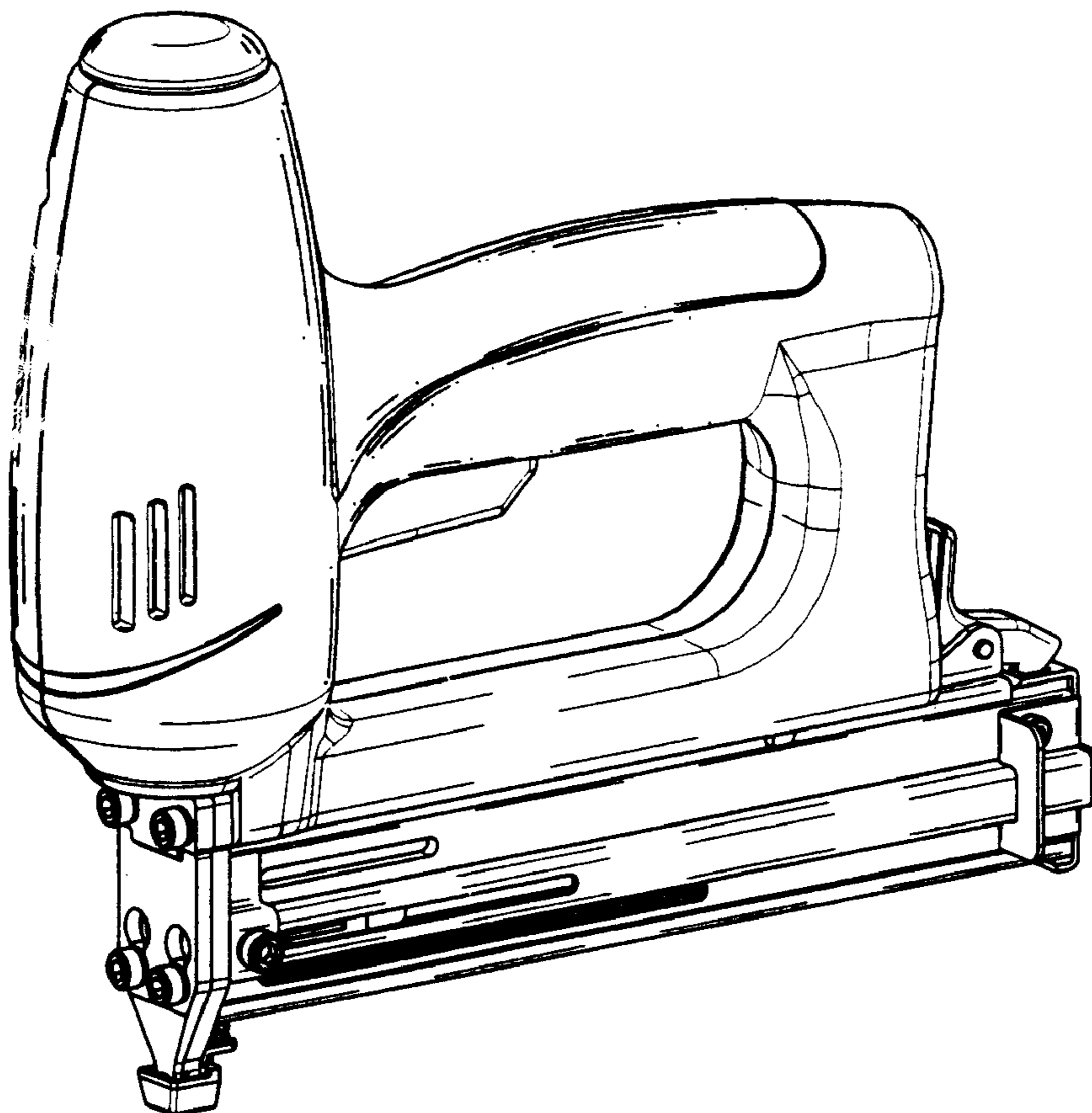
DESCRIPTION

U.S. PATENT DOCUMENTS

2,947,003	A	*	8/1960	Ericsson	227/123
4,005,812	A	*	2/1977	Doyle et al.	227/123
4,375,867	A	*	3/1983	Novak et al.	227/131
4,556,803	A	*	12/1985	Weigert	227/131
D373,057	S	*	8/1996	Chen	D8/69
5,709,333	A	*	1/1998	Wang et al.	227/8

FIG. 1 is a perspective view of a electric nailing tool showing my new design;
FIG. 2 is a front elevational view thereof;
FIG. 3 is a rear elevational view thereof;
FIG. 4 is a left elevational view thereof;
FIG. 5 is a right elevational view thereof;
FIG. 6 is a top plan view thereof; and,
FIG. 7 is a bottom plan view thereof.

1 Claim, 3 Drawing Sheets



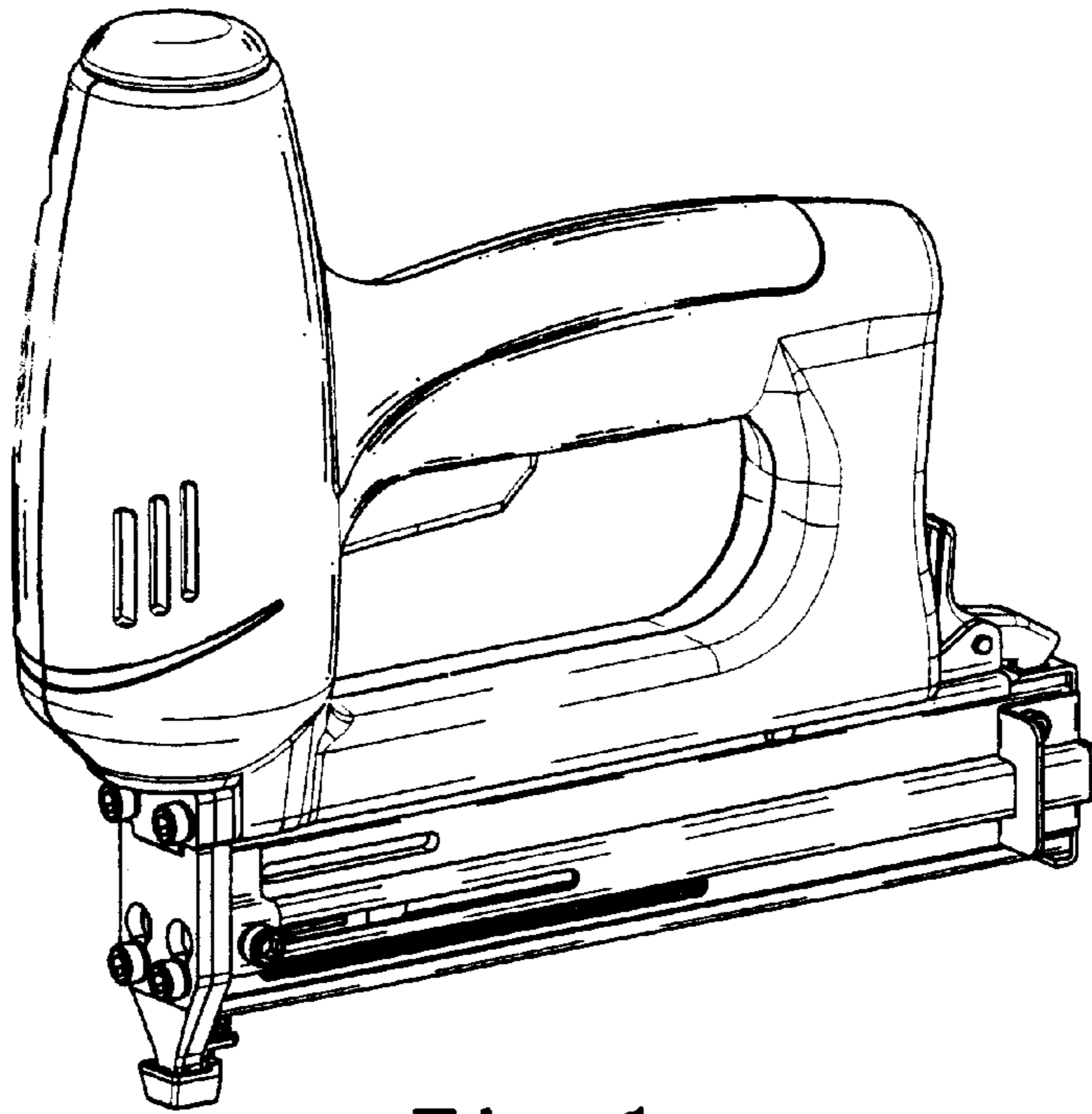


Fig. 1

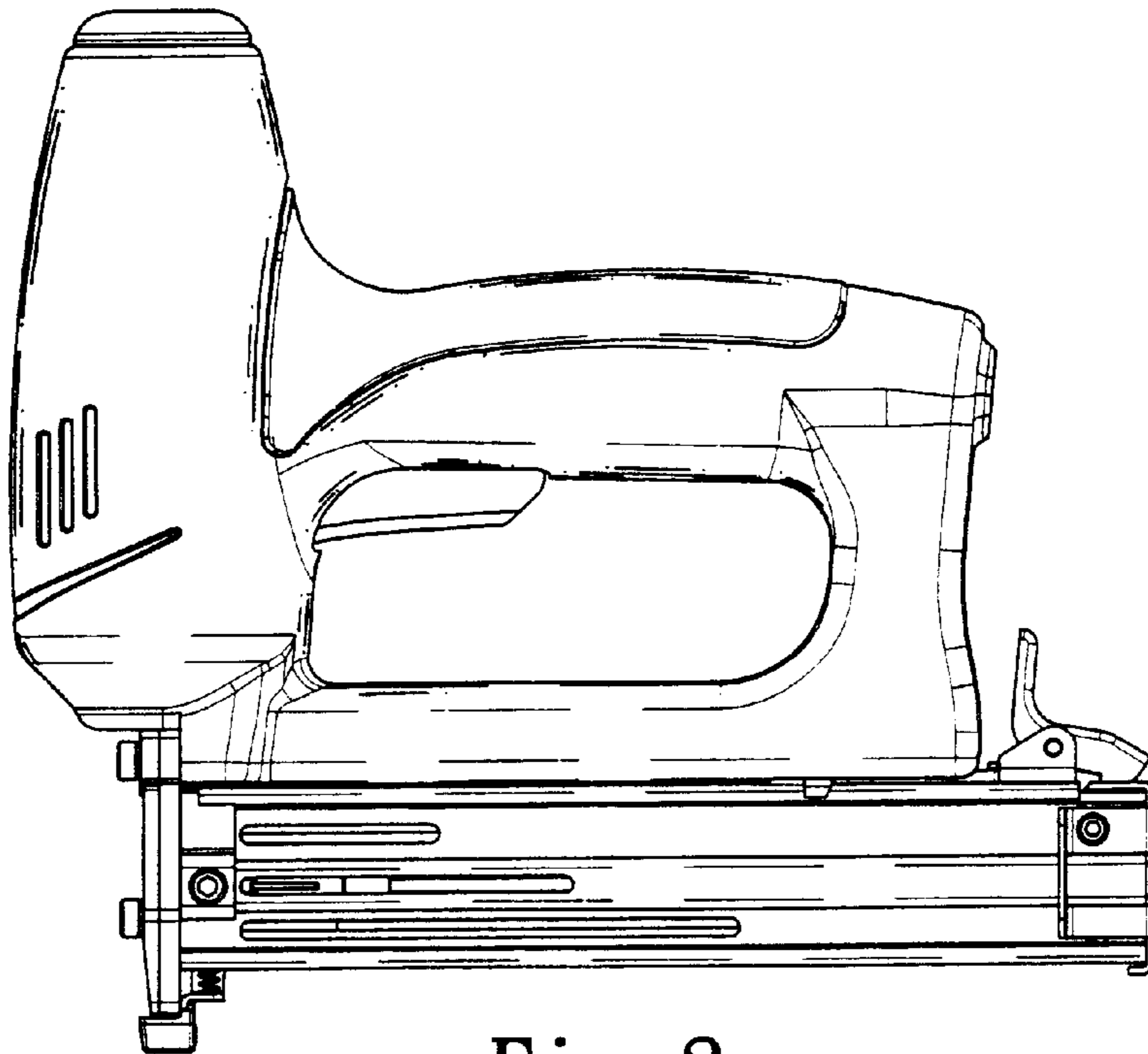


Fig. 2

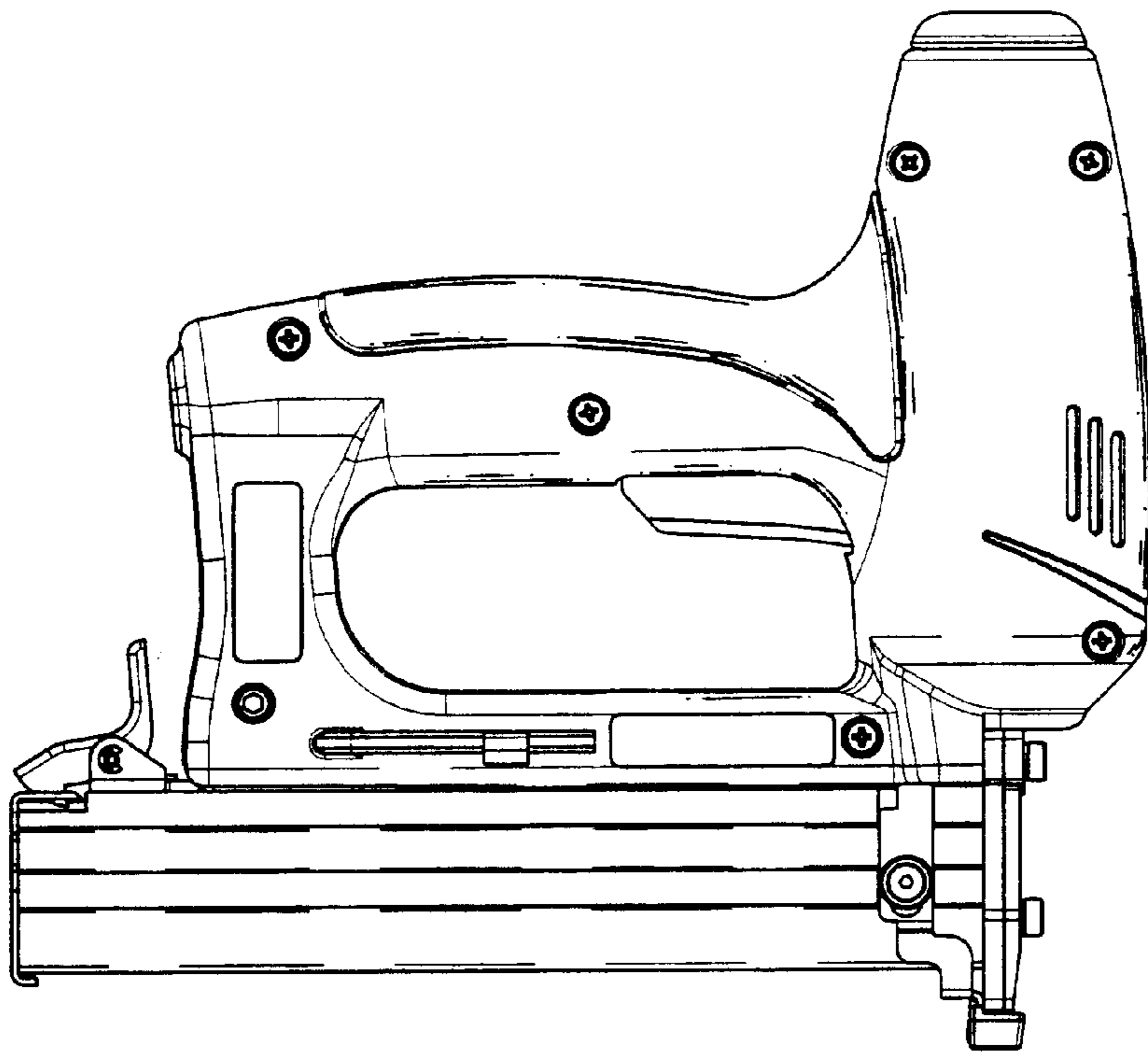


Fig. 3

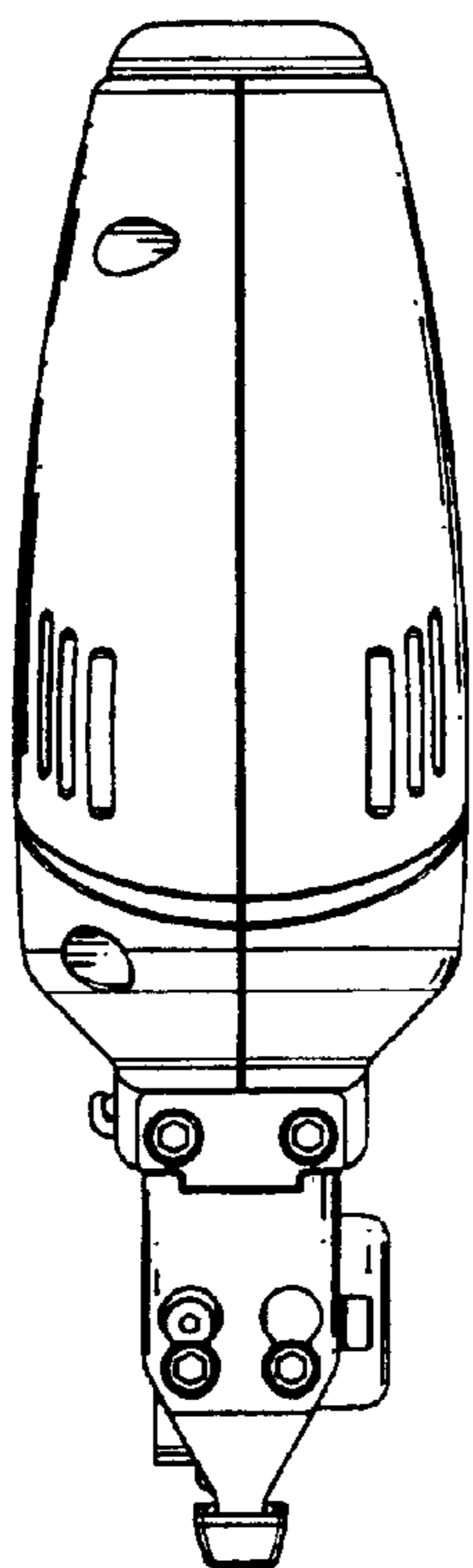


Fig. 4

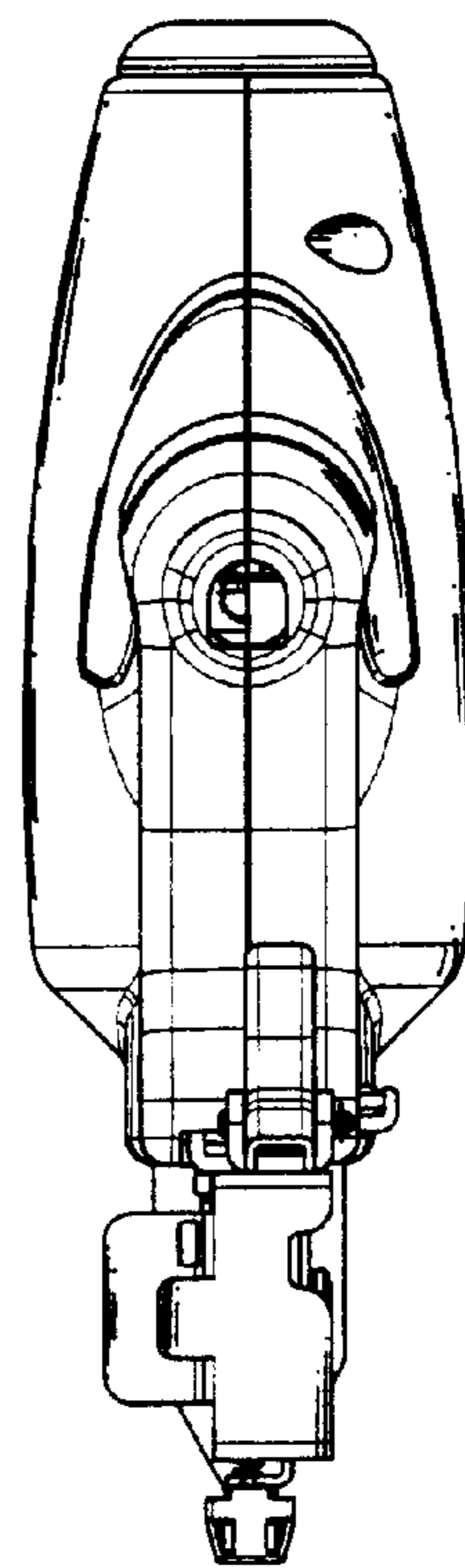


Fig. 5

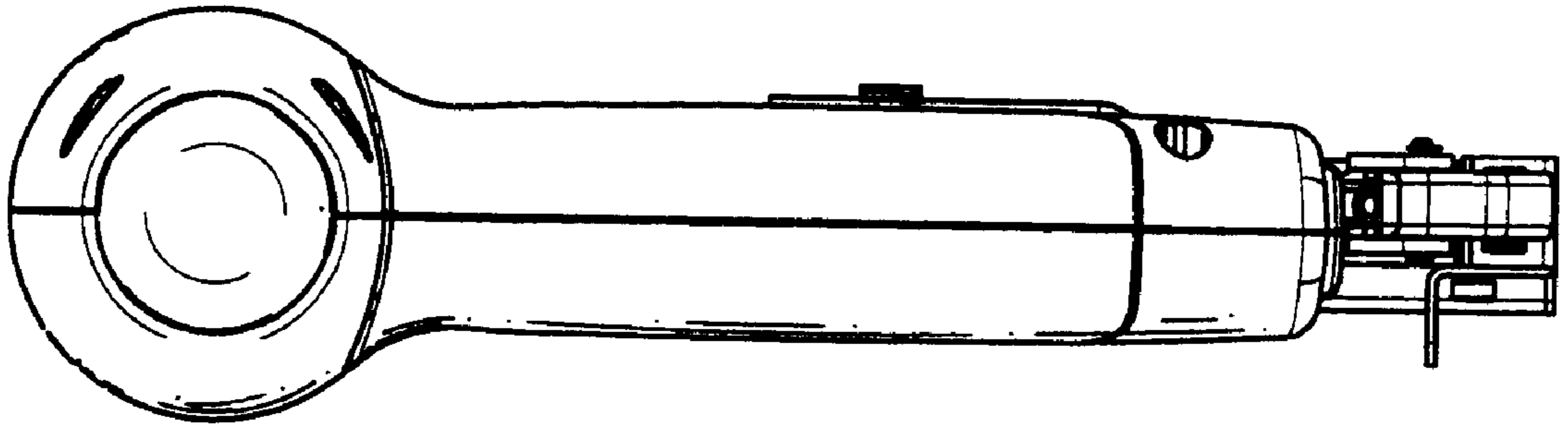


Fig. 6

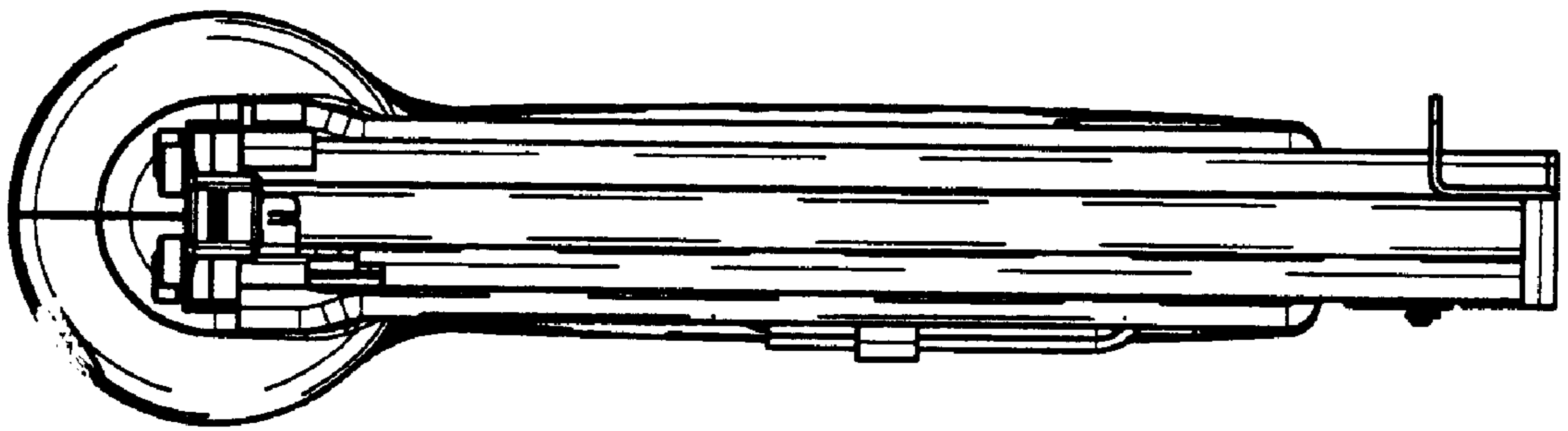


Fig. 7