



US00D467149S

(12) **United States Design Patent**
Morgan

(10) **Patent No.:** **US D467,149 S**

(45) **Date of Patent:** **** Dec. 17, 2002**

(54) **PNEUMATIC TOOL**

D460,335 S * 7/2002 Morgan D8/68

(75) **Inventor:** **Fred M. Morgan**, Jackson, TN (US)

OTHER PUBLICATIONS

(73) **Assignee:** **DeVilbiss Air Power Company**,
Jackson, TN (US)

Square drive wrench, #4034, Sioux Professional Power Tools catalogue, #871, p. 67.*

(**) **Term:** **14 Years**

Hex drive (#4070) and quick change (#4034) impact screwdrivers, Sioux Professional Power tools catalogue, #871, p. 70.*

(21) **Appl. No.:** **29/151,460**

Air impact wrenches ZK-506 and ZK-507, Zone King Industrial Co. brochure.*

(22) **Filed:** **Nov. 8, 2001**

* cited by examiner

(51) **LOC (7) Cl.** **08-05**

(52) **U.S. Cl.** **D8/68**

(58) **Field of Search** D8/61, 62, 63,
D8/64, 65, 66, 67, 68, 69, 70; 81/57.11,
429, 464, 465, 466, 469, 489; 173/13, 169,
178, 213, 217; 227/8, 114, 120, 130, 136,
142; 310/50; 408/20, 124, 125, 234, 241 R;
451/358

Primary Examiner—Doris V. Coles

Assistant Examiner—T. Chase Nelson

(74) *Attorney, Agent, or Firm*—Suiter & Associates PC

(57) **CLAIM**

The ornamental design for a pneumatic tool, as shown.

DESCRIPTION

(56) **References Cited**

U.S. PATENT DOCUMENTS

D261,222 S	*	10/1981	Bunyea	D8/68
D339,726 S	*	9/1993	Bruno et al.	D8/68
D370,163 S	*	5/1996	Hurd	D8/68
D393,580 S	*	4/1998	Bantly et al.	D8/68
D403,564 S	*	1/1999	Izumisawa	D8/68
D434,297 S	*	11/2000	Iritani et al.	D8/68
D459,180 S	*	6/2002	Morgan	D8/68

FIG. 1 is a top plan view of a pneumatic tool showing my new design;

FIG. 2 is a front elevation view thereof;

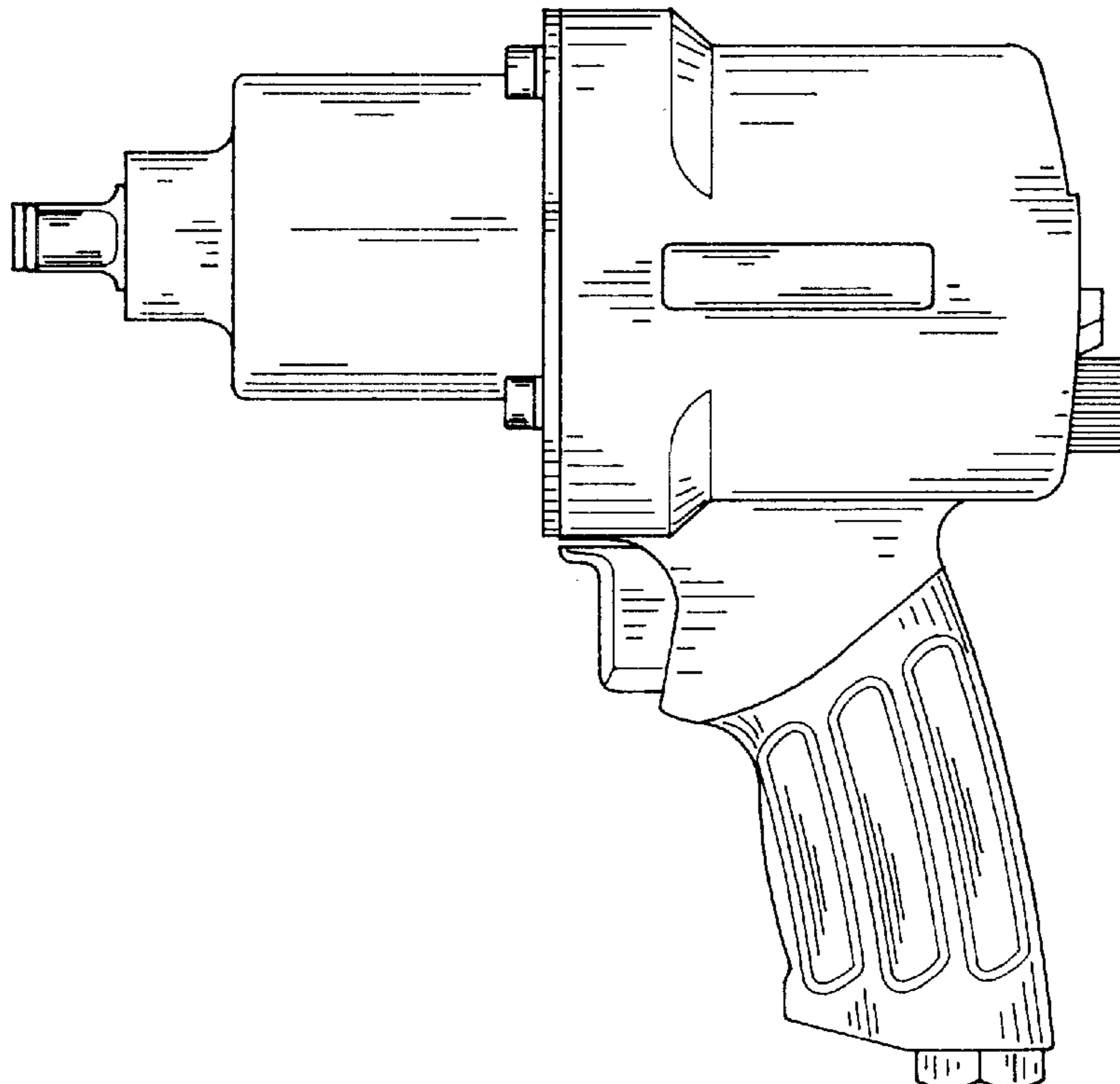
FIG. 3 is a left side elevation view thereof;

FIG. 4 is a rear elevation view thereof;

FIG. 5 is a right side elevation view thereof; and,

FIG. 6 is a bottom plan view thereof.

1 Claim, 2 Drawing Sheets



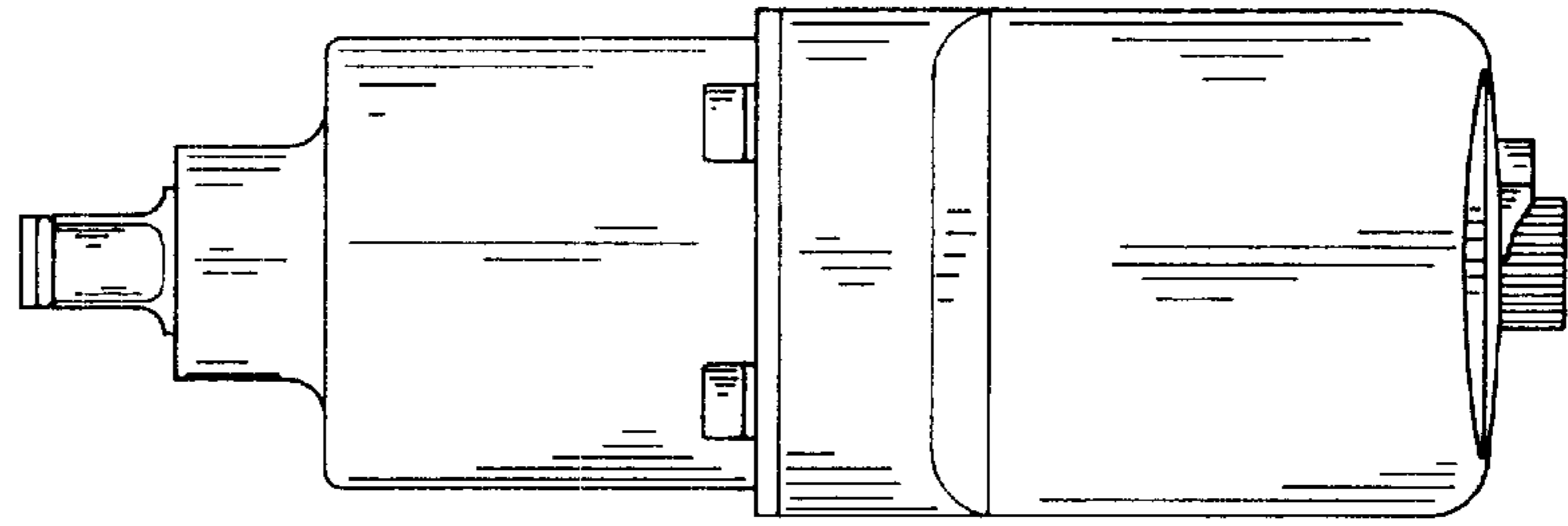


FIG. 1

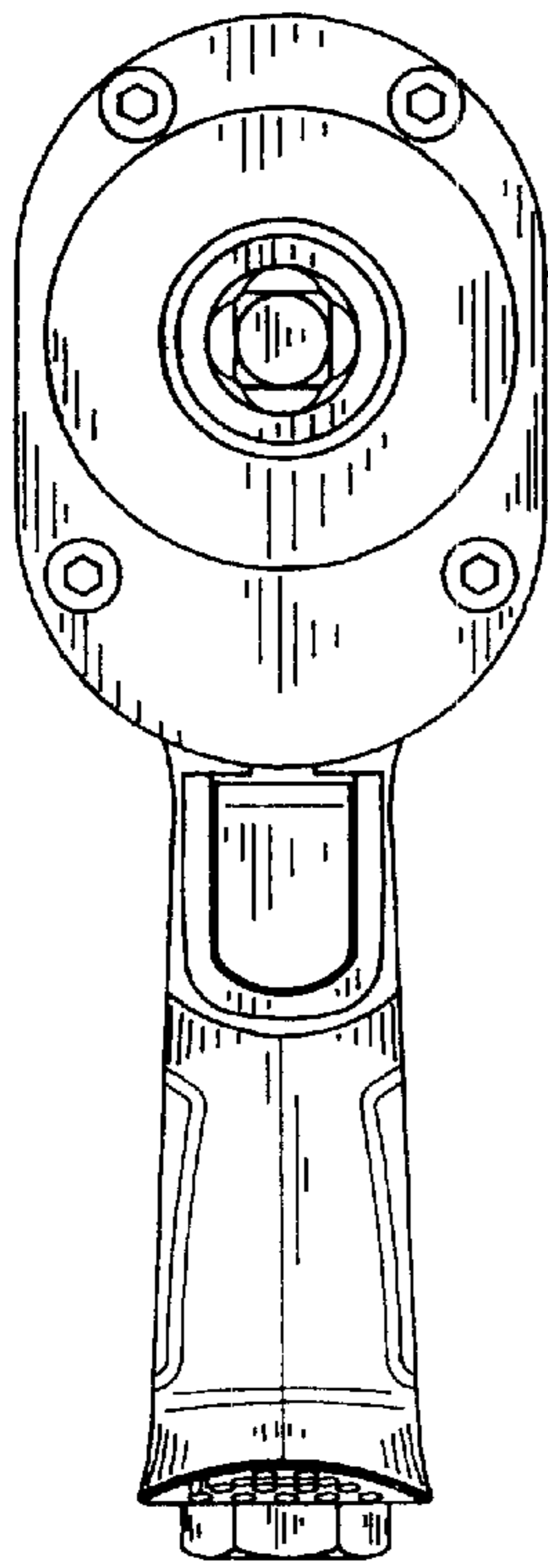


FIG. 2

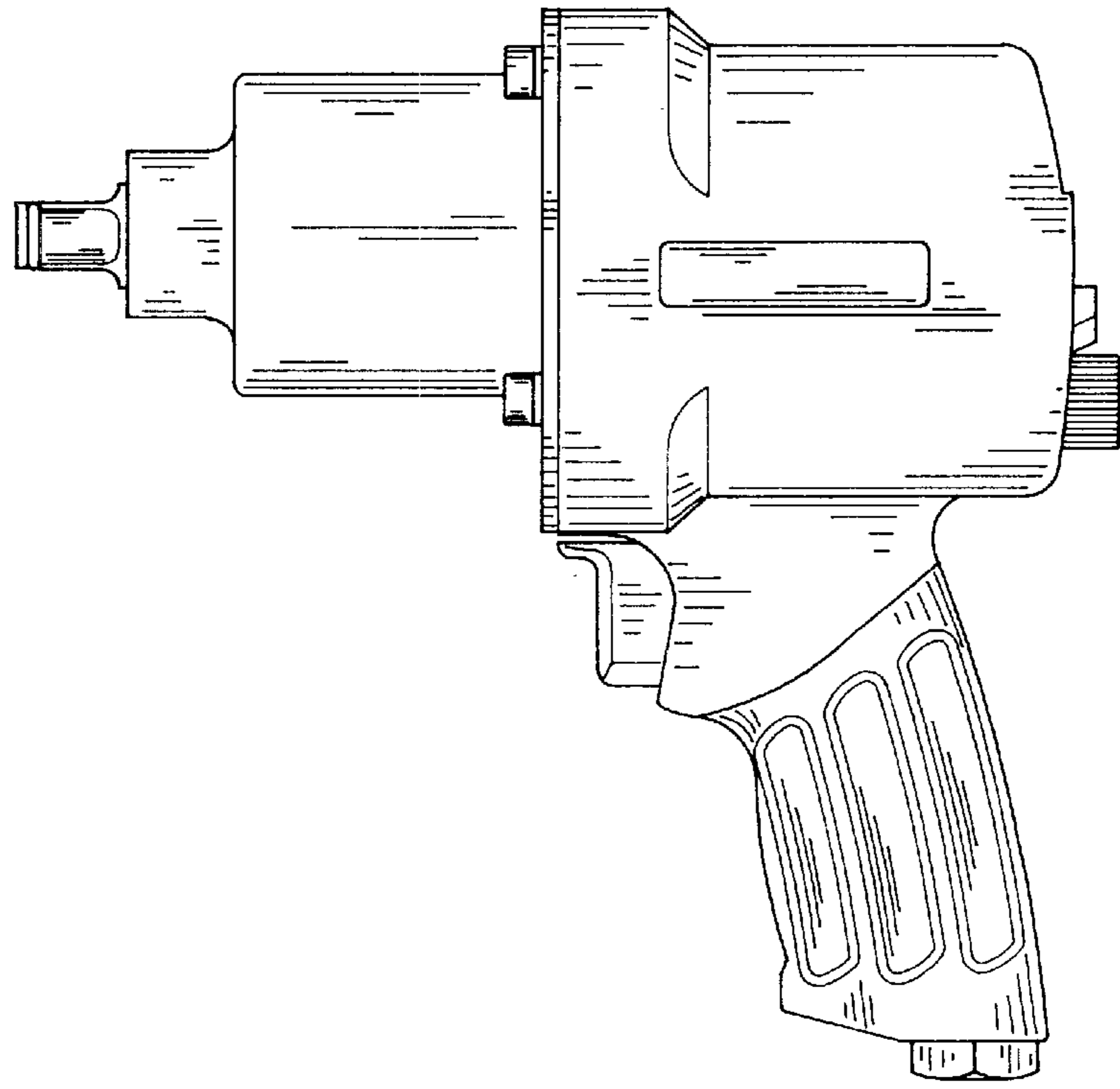


FIG. 3

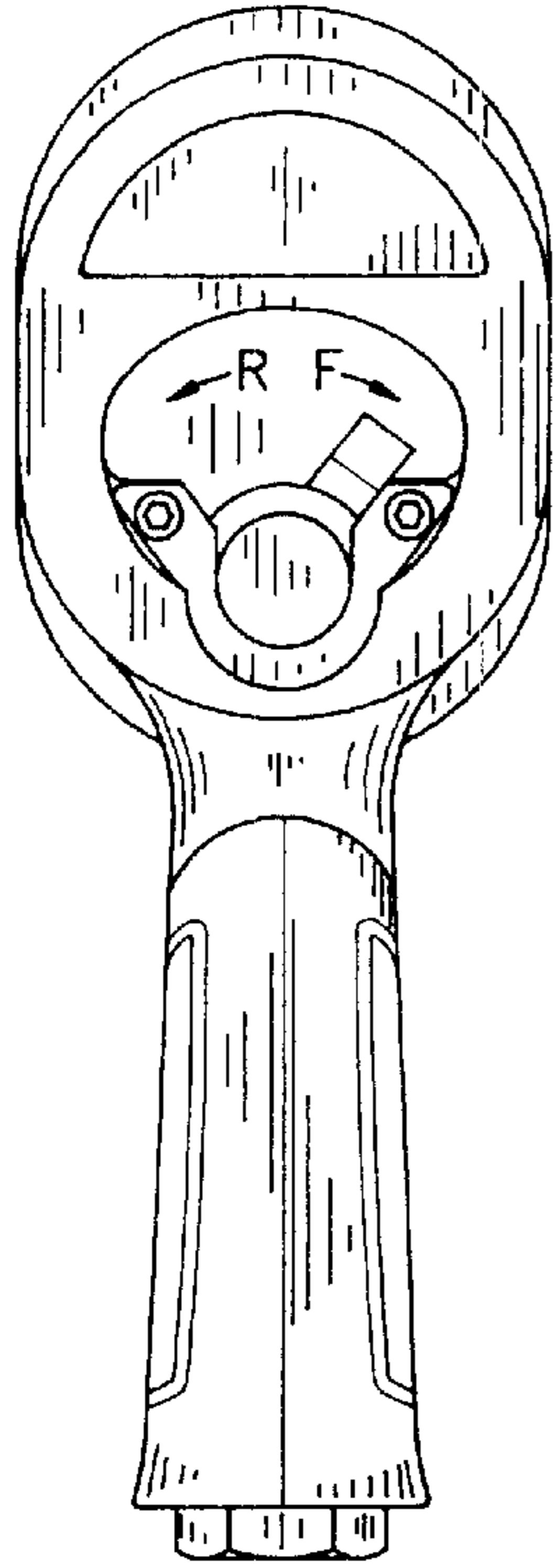


FIG. 4

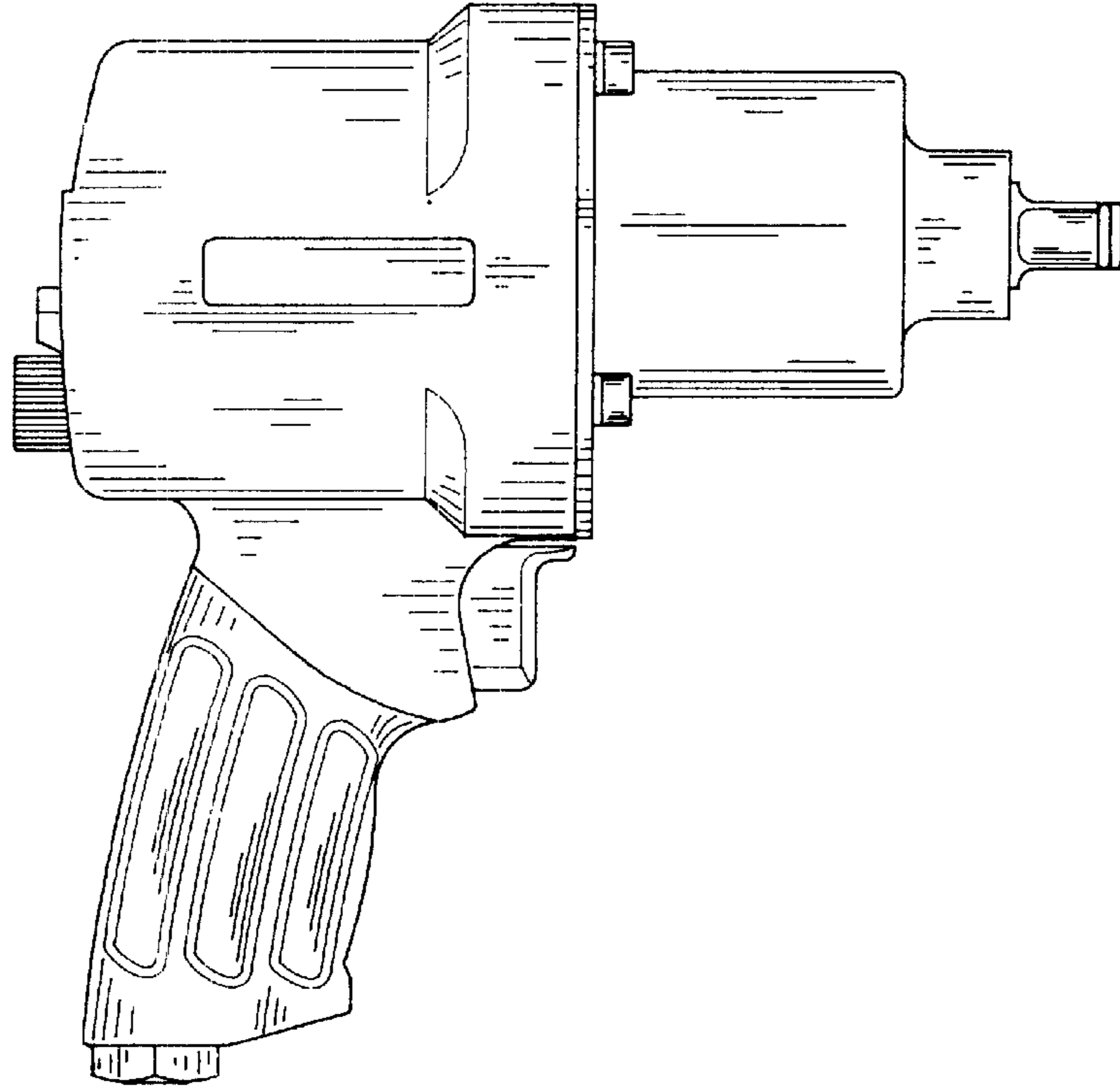


FIG. 5

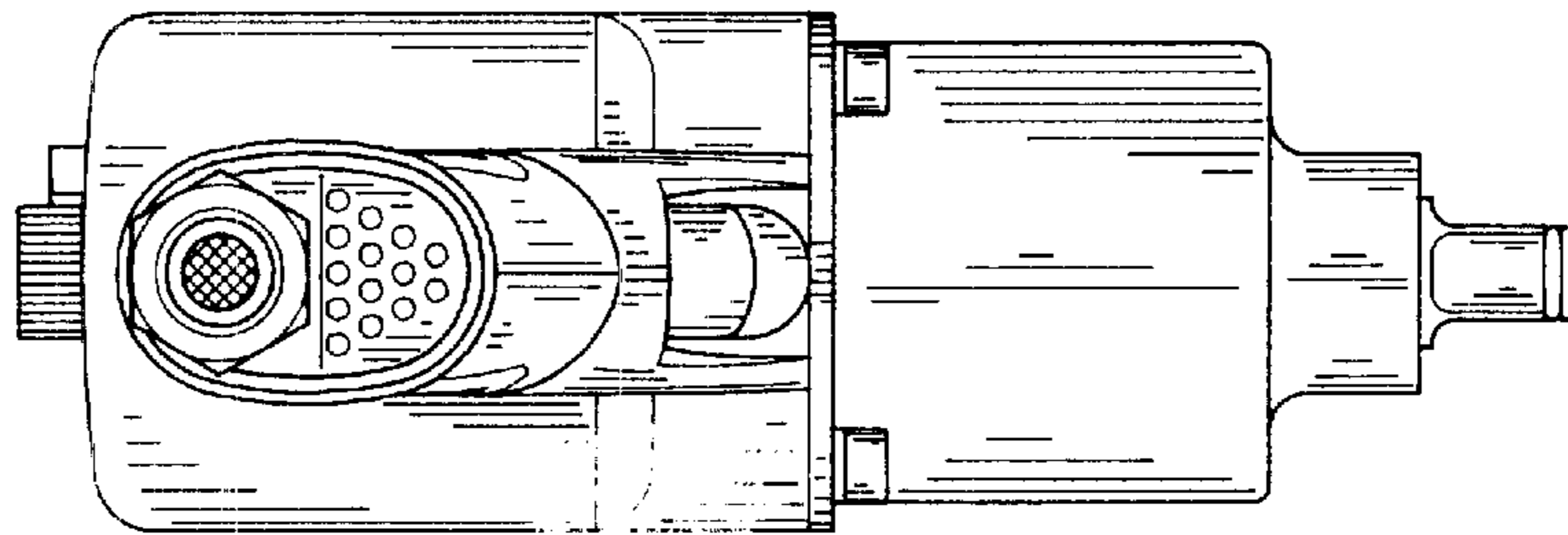


FIG. 6