



US00D467148S

(12) **United States Design Patent**
Flickinger

(10) **Patent No.:** **US D467,148 S**

(45) **Date of Patent:** **** Dec. 17, 2002**

(54) **DRILL/DRIVER**

(75) **Inventor:** **Sean W. Flickinger**, Felton, PA (US)

(73) **Assignee:** **Black & Decker Inc.**, Newark, DE (US)

(**) **Term:** **14 Years**

(21) **Appl. No.:** **29/150,900**

(22) **Filed:** **Nov. 30, 2001**

(51) **LOC (7) Cl.** **08-01**

(52) **U.S. Cl.** **D8/68**

(58) **Field of Search** D8/61, 62, 63,
D8/64, 65, 66, 67, 68, 69, 70, 107; 29/243.525;
74/371; 81/52, 54, 55, 57, 57.11, 57.13,
57.14, 57.42, 57.43, 177.1, 177.4, 177.6,
177.85, 409, 429, 436, 463, 464, 466, 474,
900, 901, DIG. 12; 173/13, 15, 47, 48,
90, 91, 92, 93, 93.5, 93.6, 109, 112, 122,
164, 169, 170, 171, 176, 213, 216, 217;
227/51, 81, 138; 279/9.1, 19.3, 62, 137,
142, 147, 149, 158; 310/50; 320/114; 408/20,
120, 122, 124, 125, 234, 241 R, 241 S;
451/344, 354, 357, 358, 359, 456

(56) **References Cited**

U.S. PATENT DOCUMENTS

D340,394 S	10/1993	Okumura
D359,215 S	6/1995	Zurwelle
D362,167 S	9/1995	Zurwelle
D368,009 S	3/1996	Zurwelle
D368,214 S	3/1996	Zurwelle
D377,442 S	1/1997	Kikuchi
D378,268 S	3/1997	Schultz
D382,457 S	8/1997	Ghode et al.
D386,662 S	11/1997	Tozawa et al.
D392,530 S	3/1998	Lui
D402,871 S	12/1998	Clowers et al.

D419,413 S	1/2000	Heun
D420,877 S	2/2000	Schultz
D420,879 S	2/2000	Watson et al.
D421,883 S	3/2000	Watson et al.
D428,320 S	7/2000	Ohi et al.
D435,414 S	12/2000	Etter et al.
D436,511 S	1/2001	Hayakawa et al.
D437,759 S	2/2001	Breit et al.
D440,850 S	4/2001	Ozawa et al.
D446,704 S	8/2001	Shibata et al.
6,308,378 B1	* 10/2001	Mooty et al. 8/177.1

* cited by examiner

Primary Examiner—Stacia Cadmus

Assistant Examiner—T. Chase Nelson

(74) *Attorney, Agent, or Firm*—Harness, Dickey & Pierce, P.L.C.

(57) **CLAIM**

The ornamental design for a drill/driver, as shown and described.

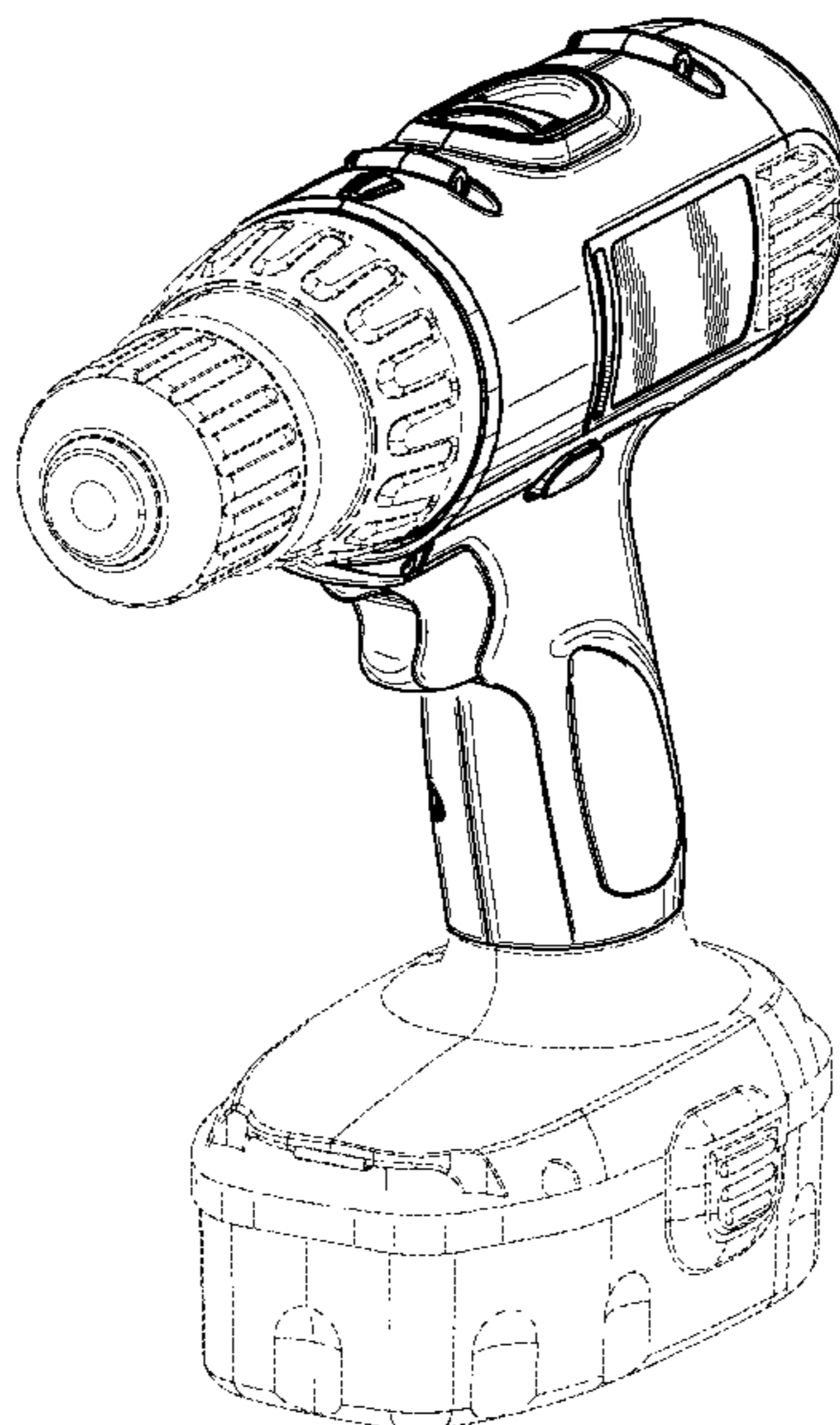
DESCRIPTION

FIG. 1 is a front perspective view of the drill/driver in accordance with the present invention;
FIG. 2 is a left side elevational view of the present invention;
FIG. 3 is a right side elevational view of the present invention;

FIG. 4 is a front elevational view of the present invention;
FIG. 5 is a rear elevational view of the present invention;
FIG. 6 is a top plan view of the present invention;
FIG. 7 is a bottom plan view of the present invention; and,
FIG. 8 is a bottom plan view illustrating the portion of the drill/driver obscured in FIG. 7 by the battery flange and battery pack.

It will be understood that the those portions of the drill/driver shown in broken line in the attached figures do not constitute an integral part of the claimed design and are therefore disclaimed as part thereof.

1 Claim, 8 Drawing Sheets



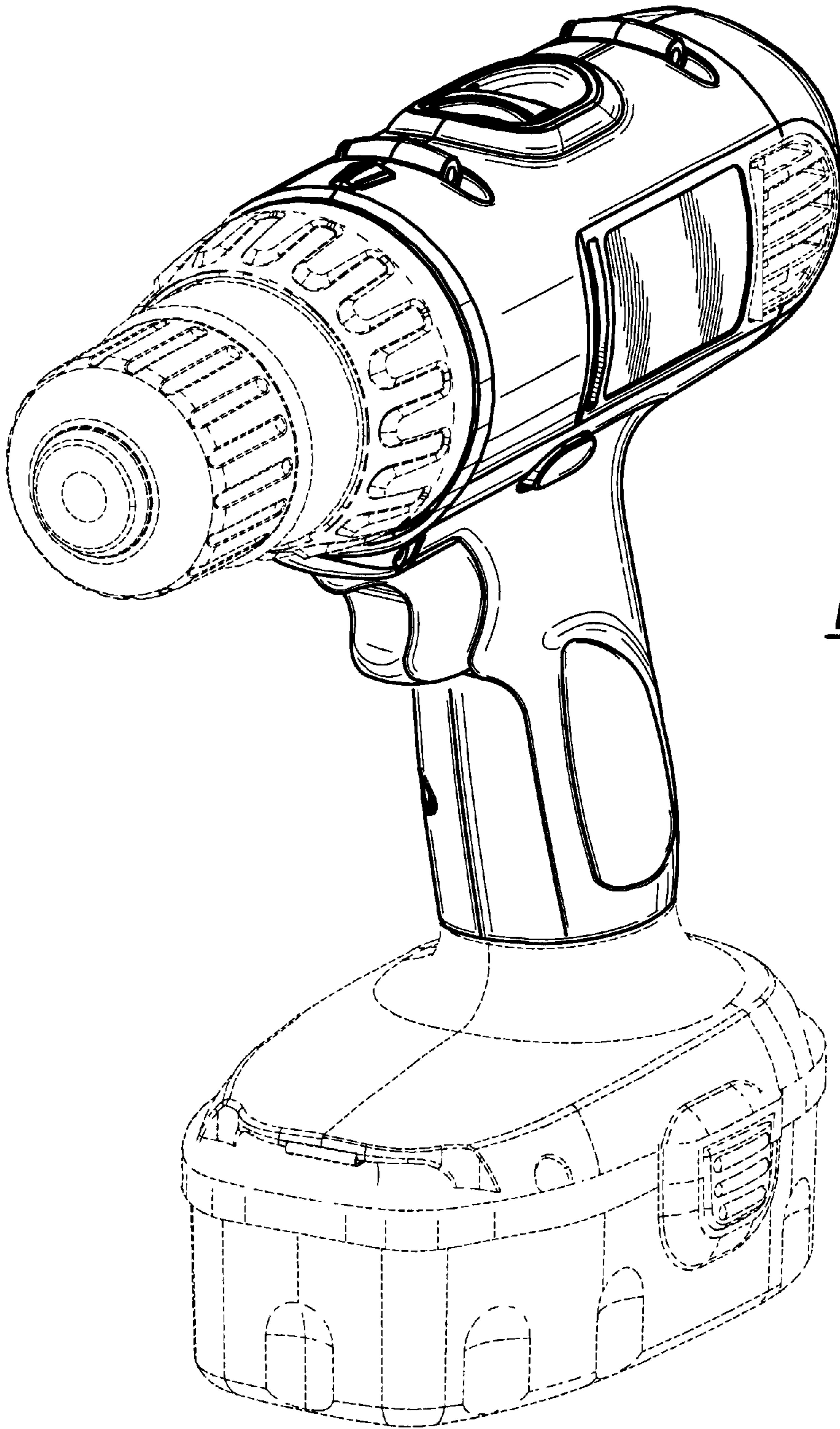


Figure - 1

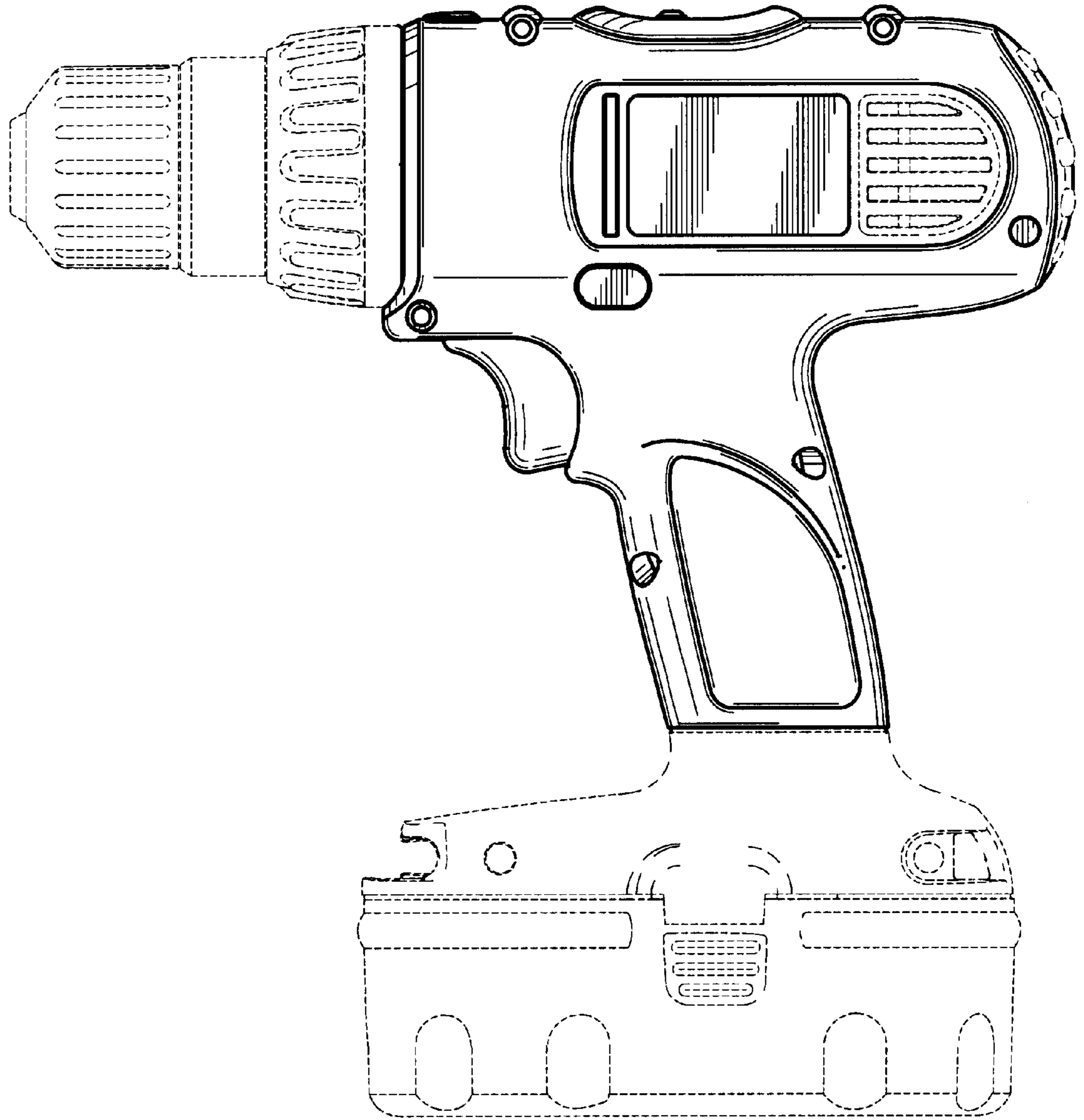


Figure - 2

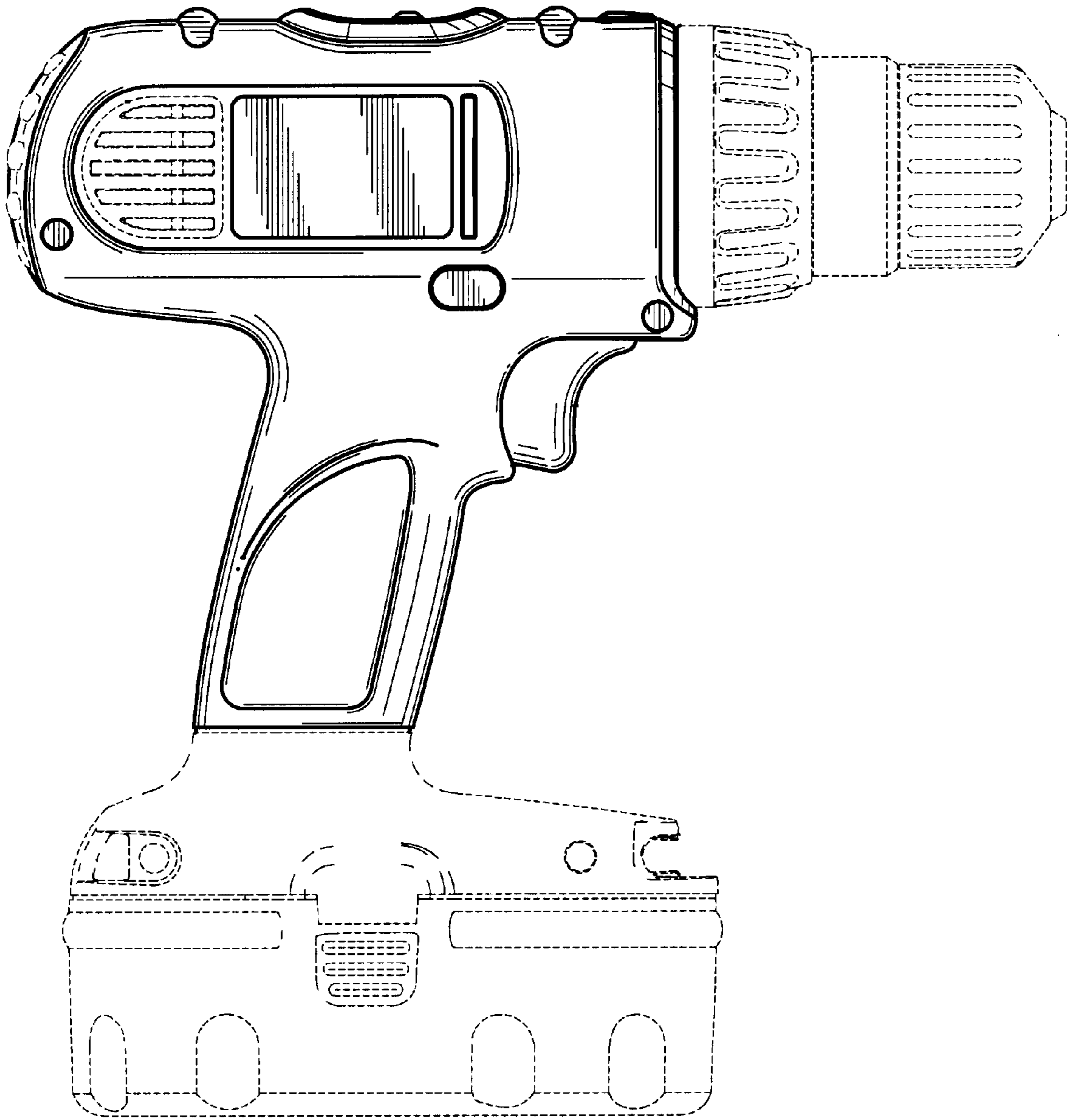


Figure - 3

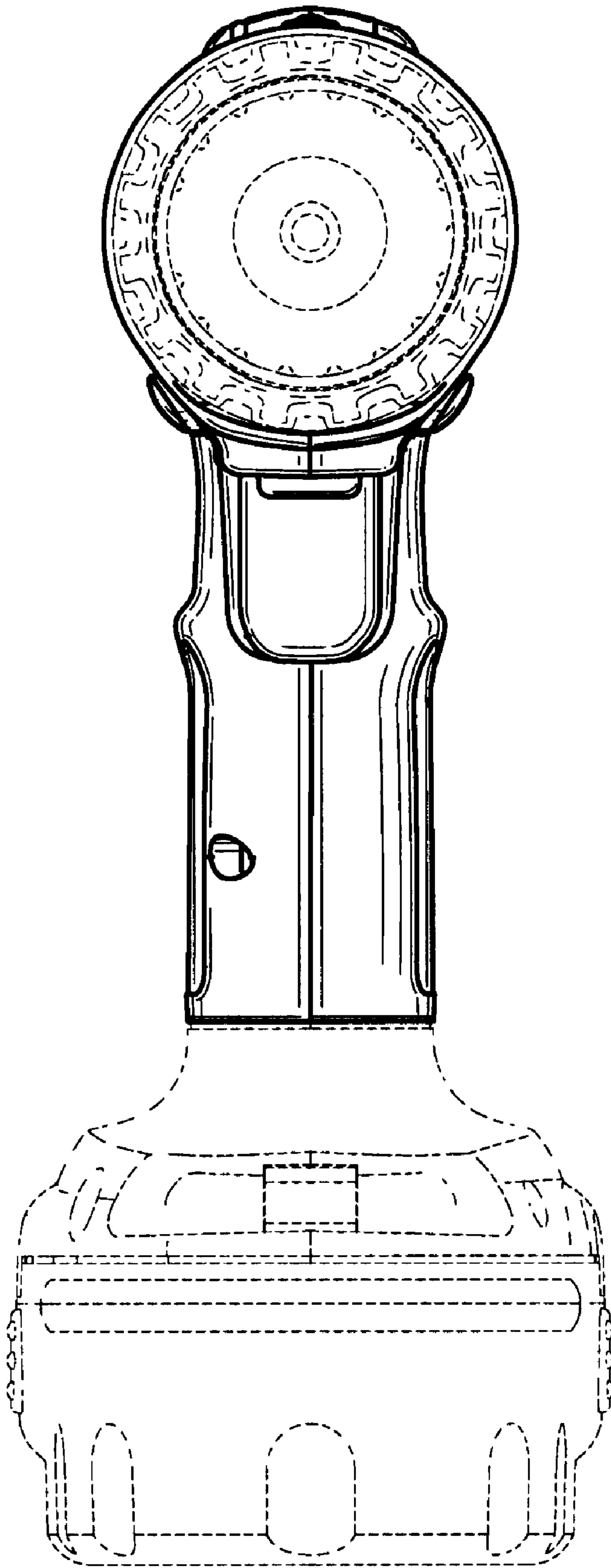


Figure - 4

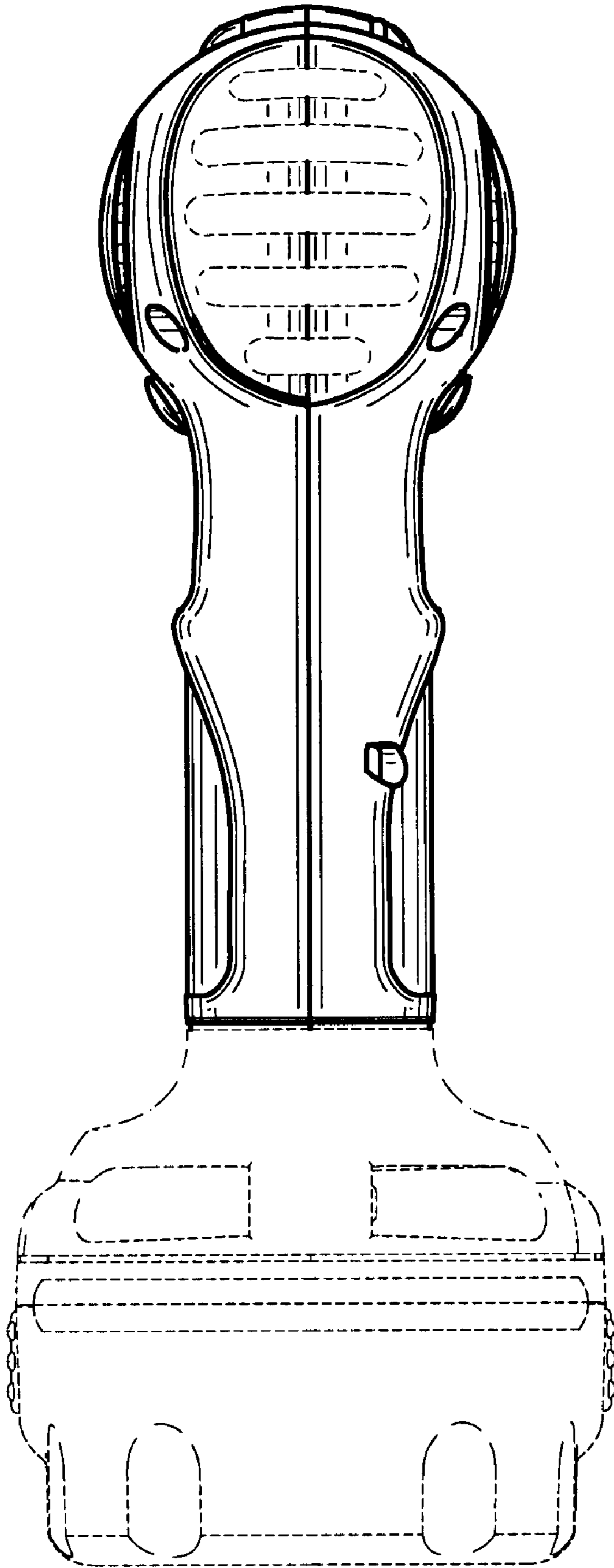


Figure - 5

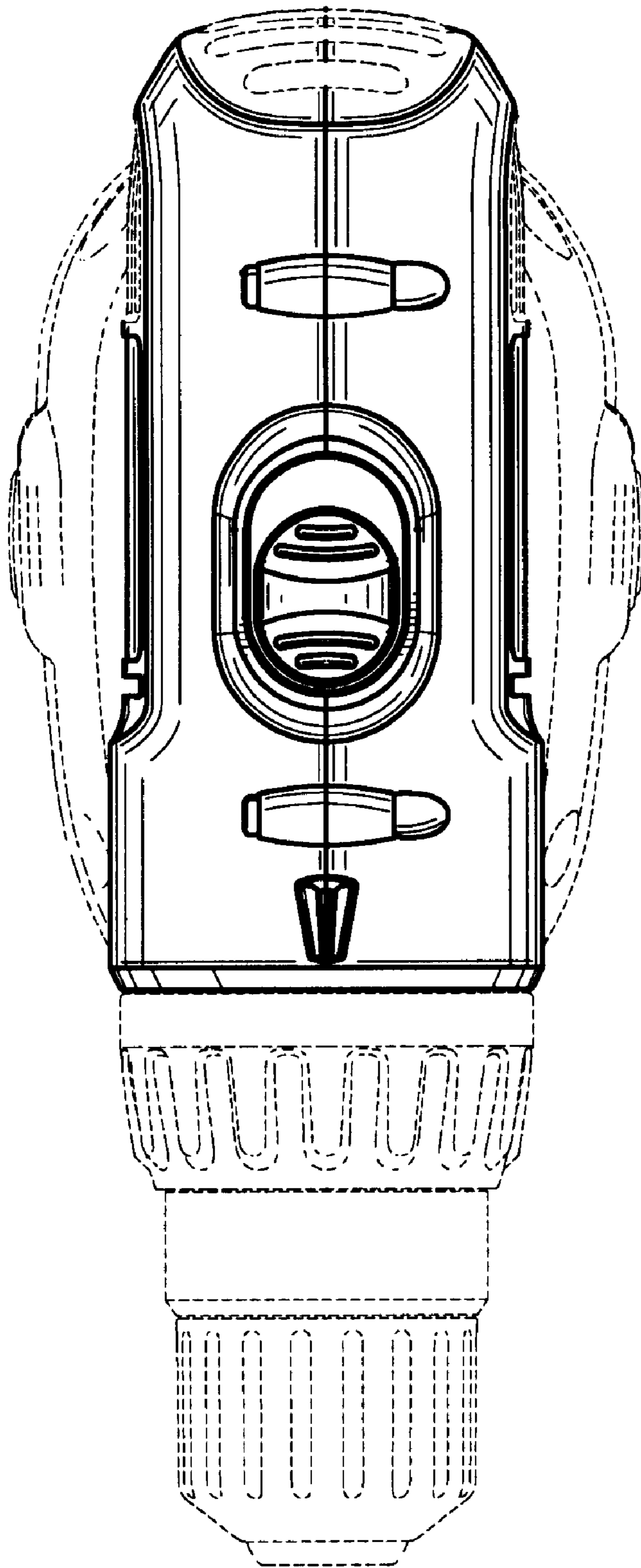


Figure - 6

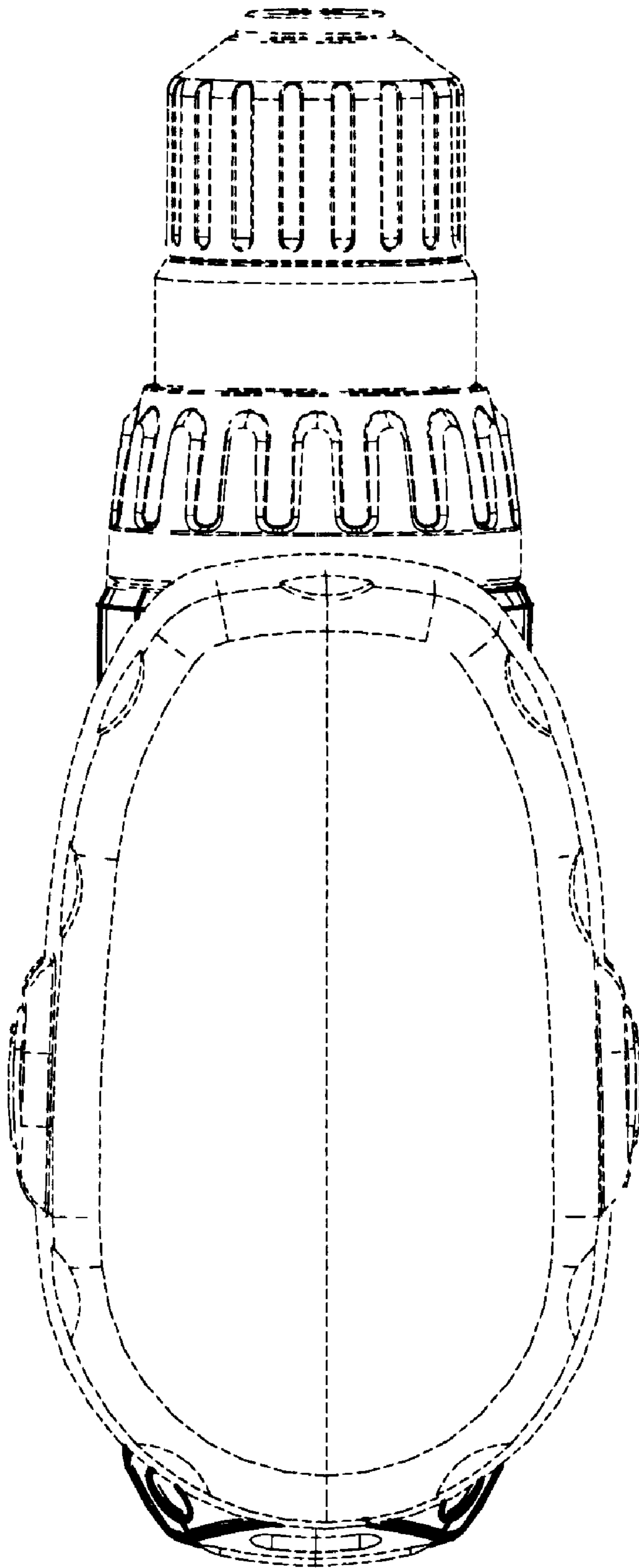


Figure - 7

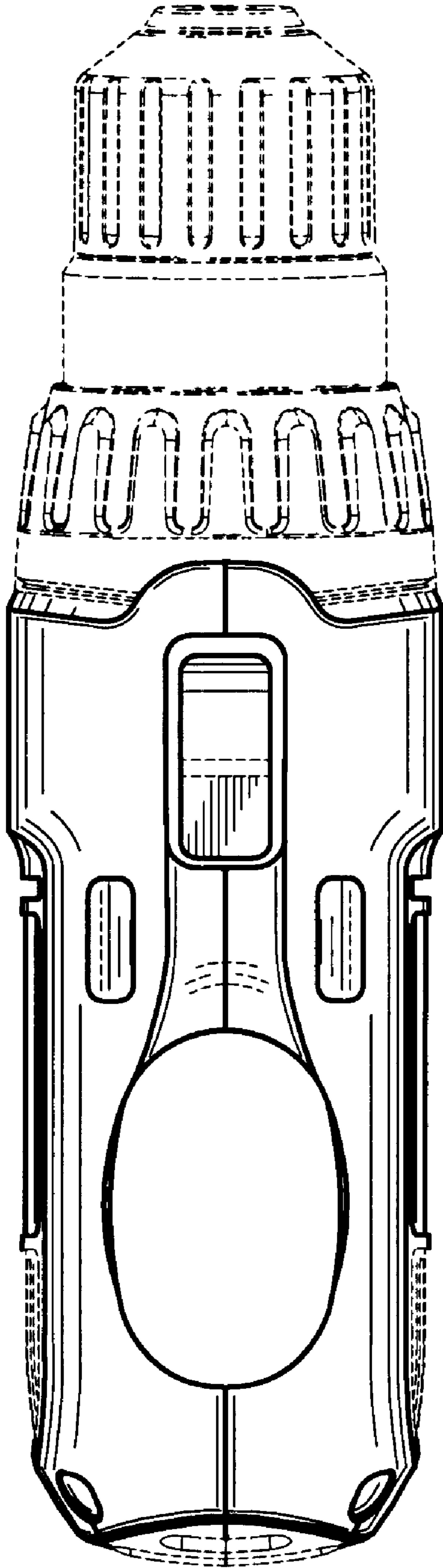


Figure - 8