



US00D467146S

(12) **United States Design Patent**  
**Chunn et al.**

(10) **Patent No.:** **US D467,146 S**

(45) **Date of Patent:** **\*\* Dec. 17, 2002**

(54) **STICK DRIVER**

(75) Inventors: **Daniel Alex Chunn**, Hong Kong (CN);  
**Benson Chun Kit Cheung**, Hong Kong (CN)

(73) Assignee: **One World Technologies, Limited**,  
Hamilton (BM)

(\*\*) Term: **14 Years**

(21) Appl. No.: **29/151,523**

(22) Filed: **Dec. 5, 2001**

(51) **LOC (7) Cl.** ..... **08-04**

(52) **U.S. Cl.** ..... **D8/61**

(58) **Field of Search** ..... D8/25, 30, 61,  
D8/62, 82, DIG. 7; 81/54, 57.11, 57.12,  
57.13, 57.14, 57.29, 57.31, 57.39, 57.42,  
63.1, 177.1, 177.4, 429, 469, 474; 173/169,  
170, 182, 216, 217; 310/47, 50; 362/116,  
120

(56) **References Cited**

**U.S. PATENT DOCUMENTS**

4,231,270 A \* 11/1980 Totsu ..... 310/50

D305,093 S \* 12/1989 Hoshino et al. .... D8/61  
4,928,560 A \* 5/1990 Bang ..... 81/463  
D308,622 S \* 6/1990 Fushiya et al. .... D8/30

\* cited by examiner

*Primary Examiner*—Doris V. Coles

*Assistant Examiner*—Elizabeth A. Albert

(74) *Attorney, Agent, or Firm*—John B. Hardaway, III;  
Nexsen Pruet Jacobs & Pollard, LLC

(57) **CLAIM**

The ornamental design for a stick driver, as shown and described.

**DESCRIPTION**

FIG. 1 is a perspective view of the stick driver of the present invention;

FIG. 2 is a right side view;

FIG. 3 is a left side view,

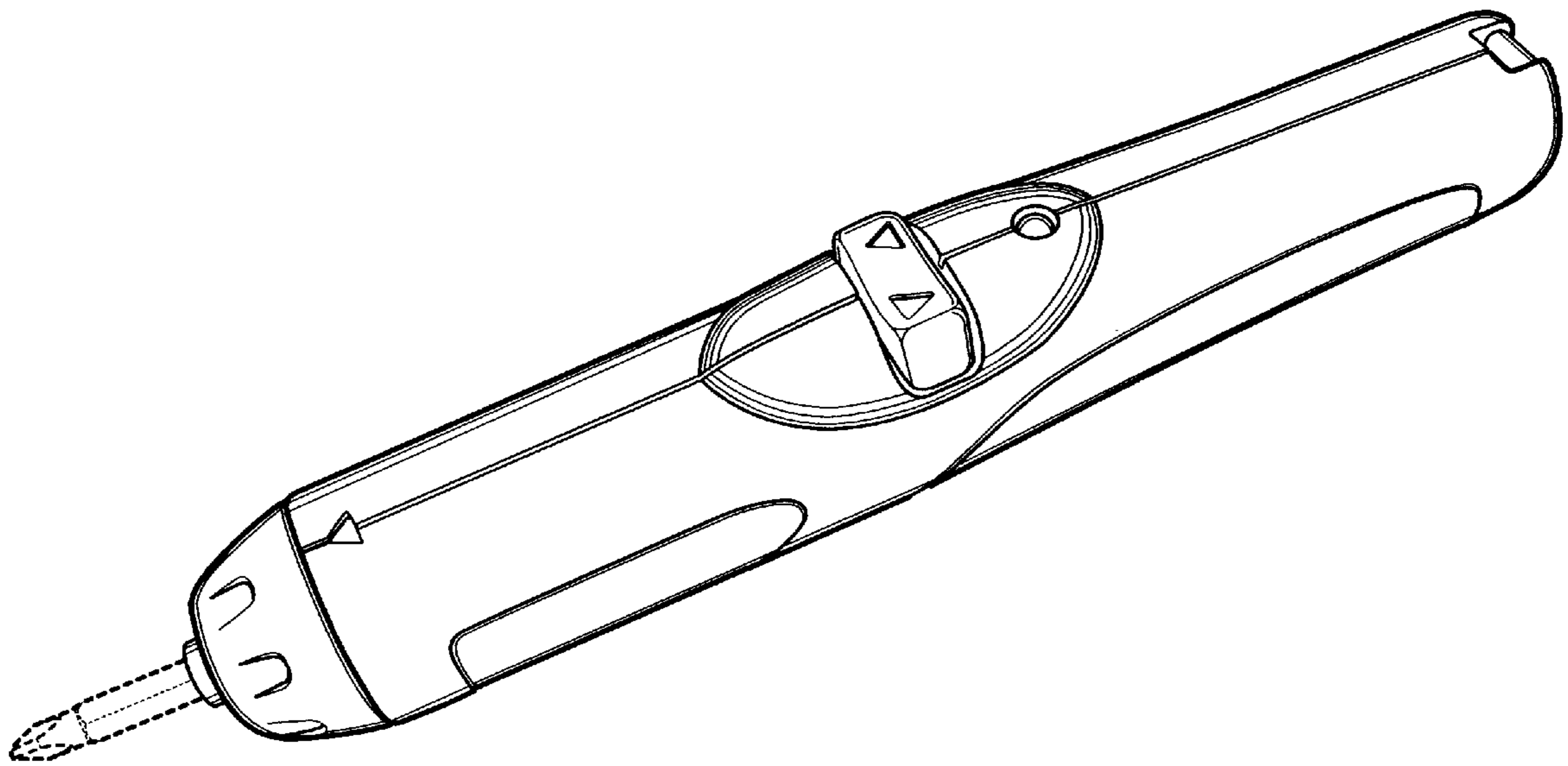
FIG. 4 is a top view;

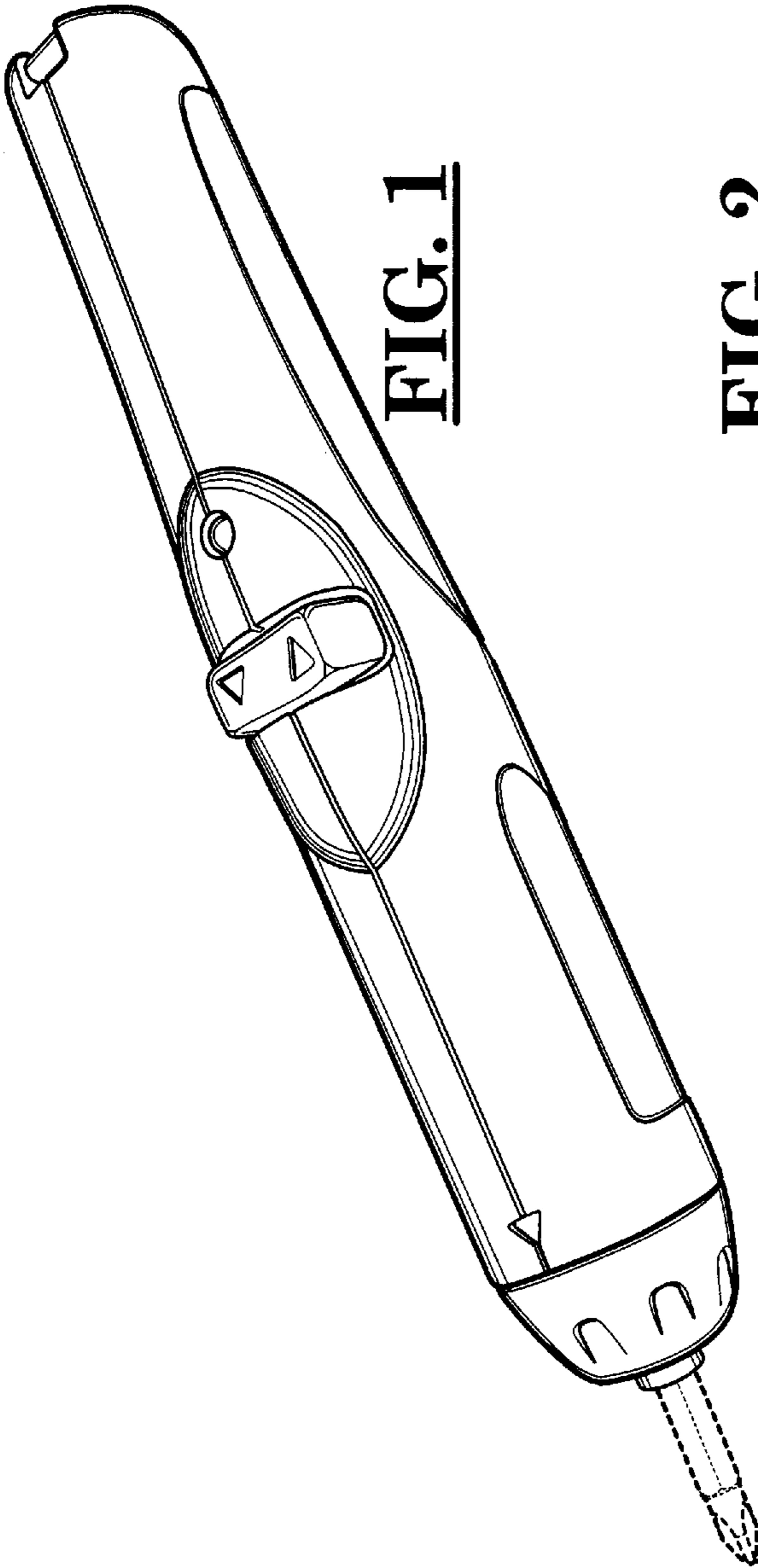
FIG. 5 is a bottom view;

FIG. 6 is a front view; and,

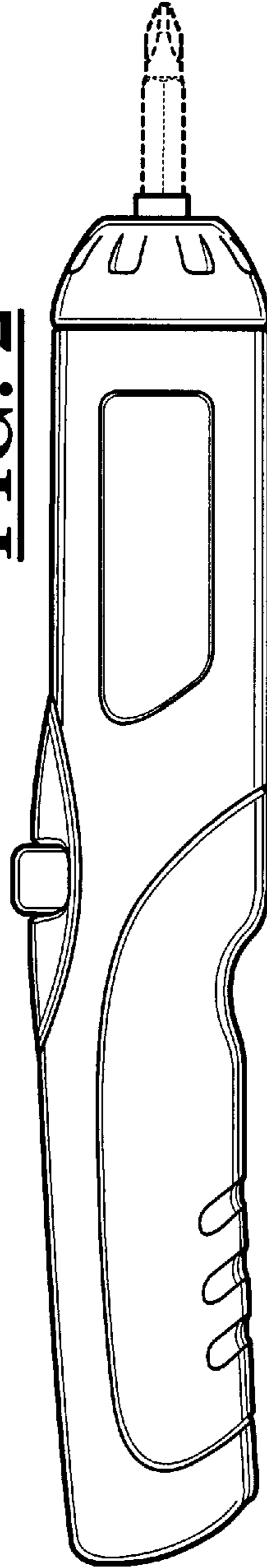
FIG. 7 is a rear view.

**1 Claim, 2 Drawing Sheets**

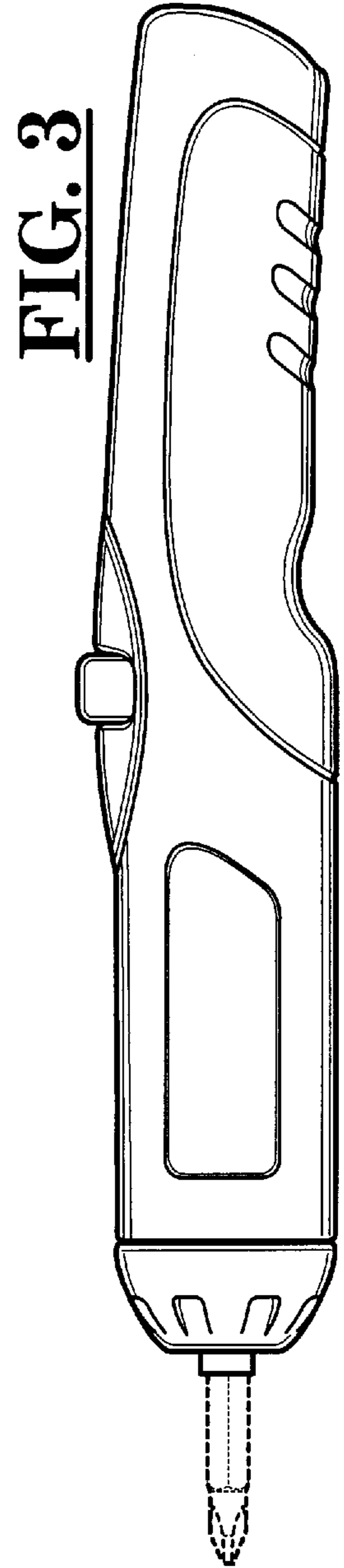




**FIG. 1**



**FIG. 2**



**FIG. 3**

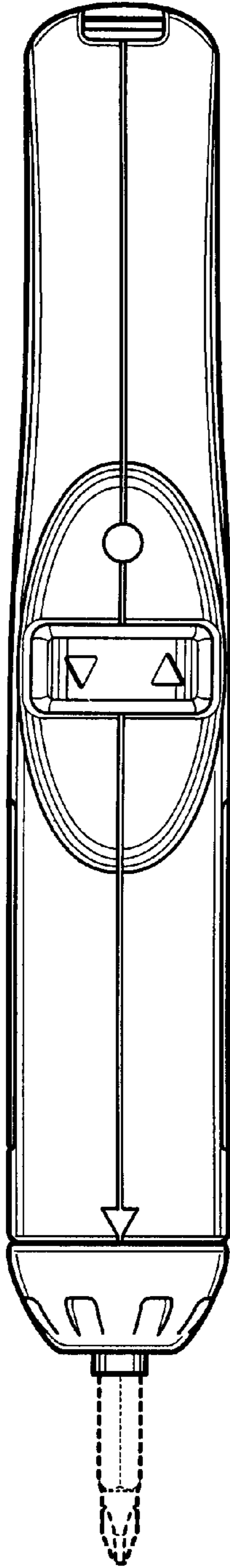


FIG. 4

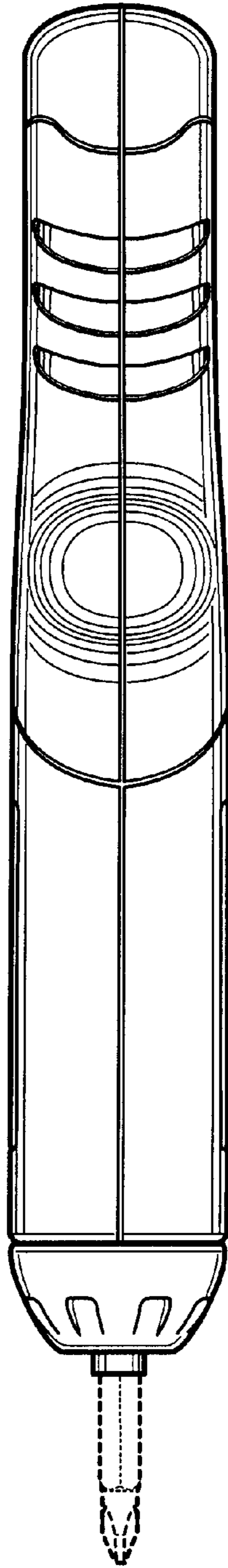


FIG. 5

FIG. 6

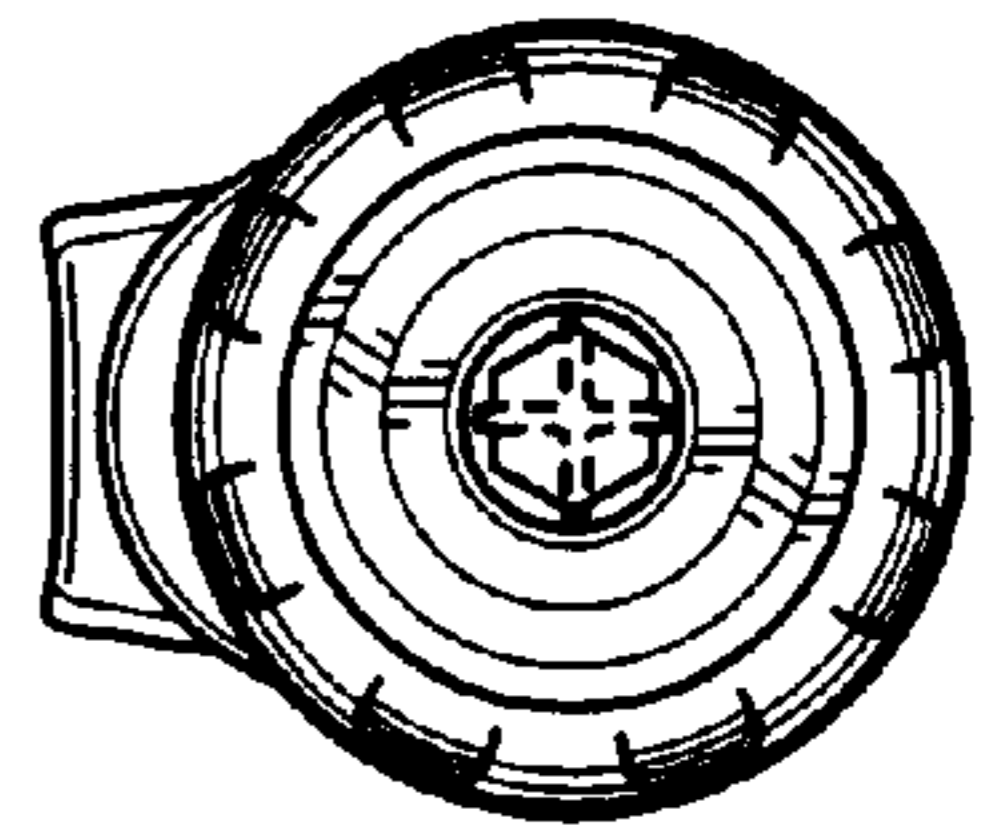


FIG. 7

