



US00D467145S

(12) **United States Design Patent** (10) **Patent No.:** **US D467,145 S**
Ehrlich et al. (45) **Date of Patent:** **** Dec. 17, 2002**

(54) **TRANSLUCENT CASING FOR POWER DRILL**

(75) Inventors: **Andre Ehrlich**, Stuttgart (DE); **Daniel A. Chunn**, Kowloon Tong (HK)

(73) Assignee: **TechTronic Industries Co., Ltd.**, Hong Kong (CN)

(**) Term: **14 Years**

(21) Appl. No.: **29/145,320**

(22) Filed: **Jul. 20, 2001**
(Under 37 CFR 1.47)

(51) **LOC (7) Cl.** **08-01**

(52) **U.S. Cl.** **D8/61**

(58) **Field of Search** D8/25, 30, 61,
D8/62, 82, DIG. 7; 81/54, 57.11, 57.12,
57.13, 57.14, 57.29, 57.31, 57.39, 57.42,
63.1, 177.1, 177.4, 429, 469, 474; 173/169,
170, 182, 216, 217; 310/47, 50; 362/116,
120

(56) **References Cited**

U.S. PATENT DOCUMENTS

3,935,909 A	*	2/1976	Mabuchi et al.	451/359
4,231,270 A	*	11/1980	Totsu	81/474
D264,679 S	*	6/1982	Funkhouser	D8/62
D301,011 S	*	5/1989	Gardner	D8/30
D303,205 S	*	9/1989	Gierke et al.	D8/82
D304,543 S	*	11/1989	Somers et al.	D8/61

* cited by examiner

Primary Examiner—Doris V. Coles
Assistant Examiner—Elizabeth A. Albert

(74) *Attorney, Agent, or Firm*—John B. Hardaway, III;
Nexsen Pruet Jacobs & Pollard, LLC

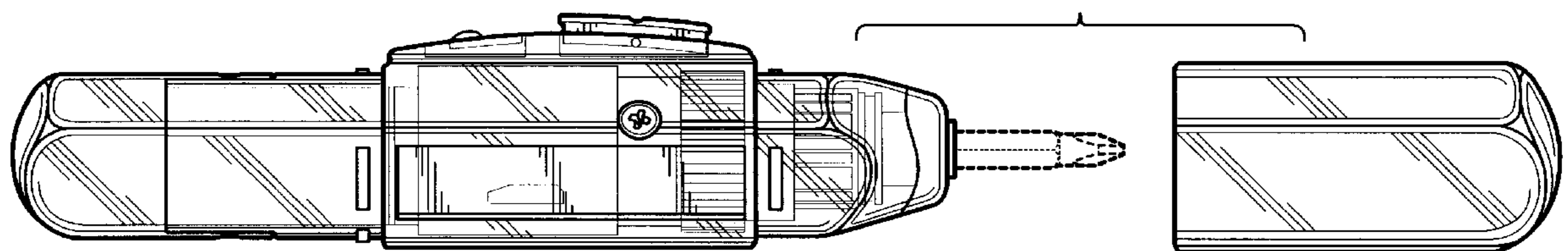
(57) **CLAIM**

The ornamental design for a translucent casing for power drill, as shown and described.

DESCRIPTION

FIG. 1 is a right side view of the translucent casing for power drill with the cover shown at the handle end in exploded condition showing our new design; FIG. 2 is a left side view of FIG. 1; FIG. 3 is a view of FIG. 1 in closed condition; FIG. 4 is a left side view of FIG. 3; FIG. 5 is a right side view of the design with the cover shown at the drill end in exploded condition; FIG. 6 is a left side view of FIG. 5; FIG. 7 is a view of FIG. 5 with the cover shown in closed condition; FIG. 8 is a left side view of FIG. 7; FIG. 9 is a top view of FIG. 1; FIG. 10 is a bottom view of FIG. 1; FIG. 11 is a top view of FIG. 3; FIG. 12 is a bottom view of FIG. 3; FIG. 13 is a top view of FIG. 5; FIG. 14 is a bottom view of FIG. 5; FIG. 15 is a top view of FIG. 7; FIG. 16 is a bottom view of FIG. 7; FIG. 17 is a front end view of FIG. 1; FIG. 18 is a front end view of FIG. 7; FIG. 19 is a rear end view of FIG. 1; and, FIG. 20 is a rear end view of FIG. 5. The broken lines showing environment in FIGS. 1–18 of the drawings are for illustrative purposes only and form no part of the claimed design.

1 Claim, 9 Drawing Sheets



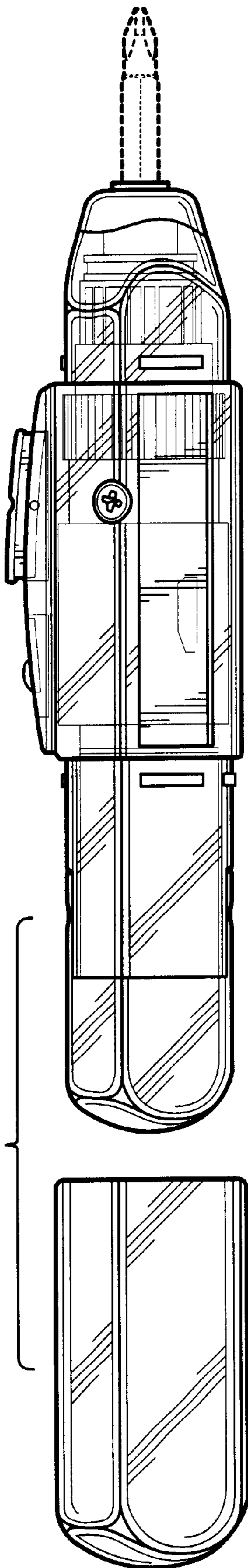


FIG. 1

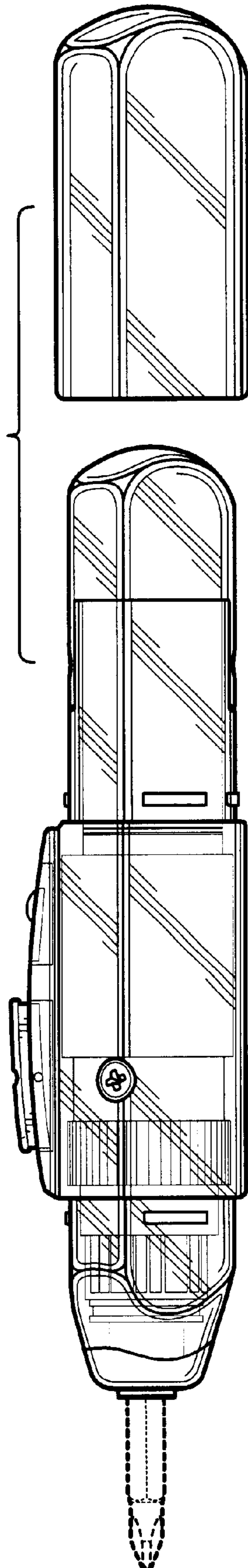


FIG. 2

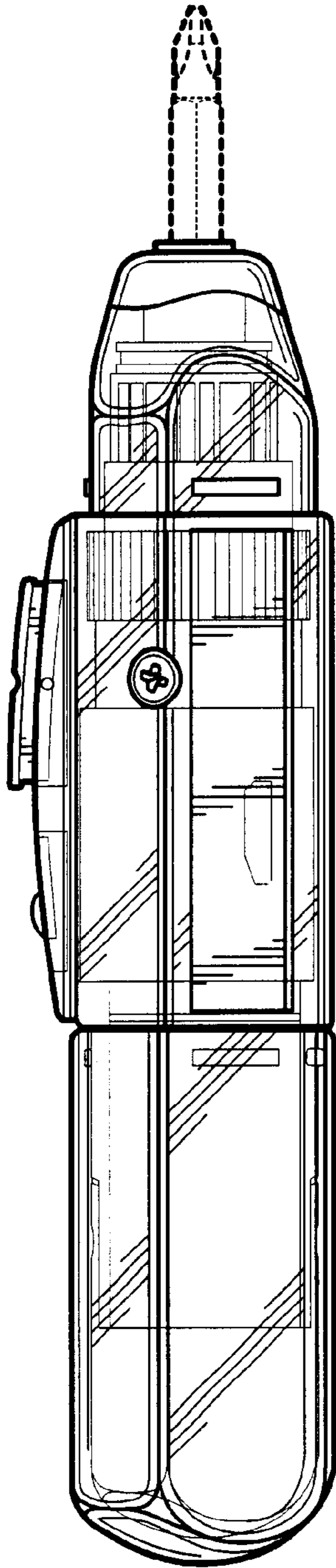


Fig. 3

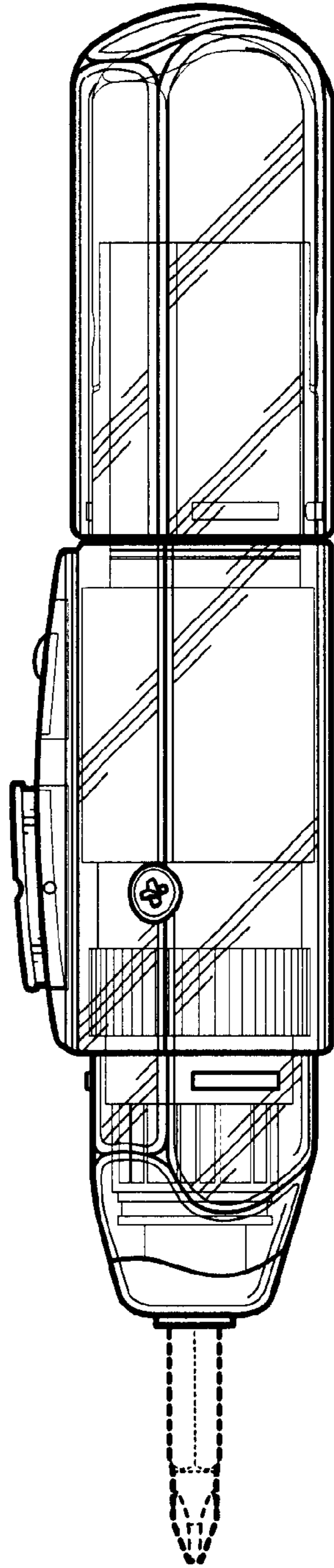


Fig. 4

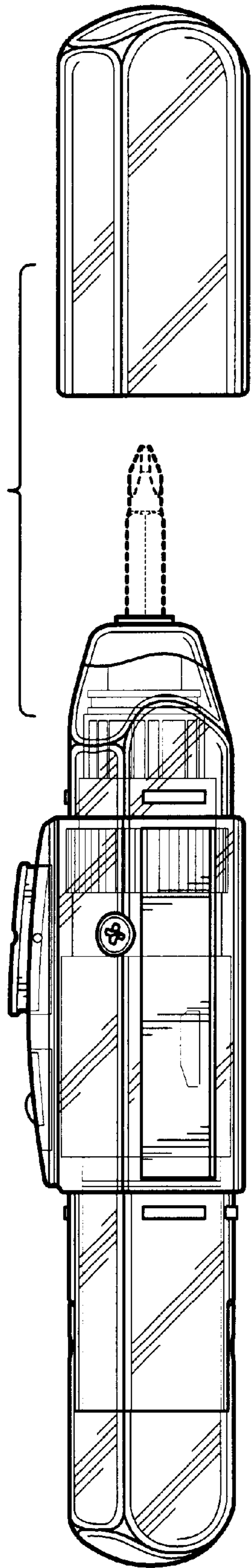


FIG. 5

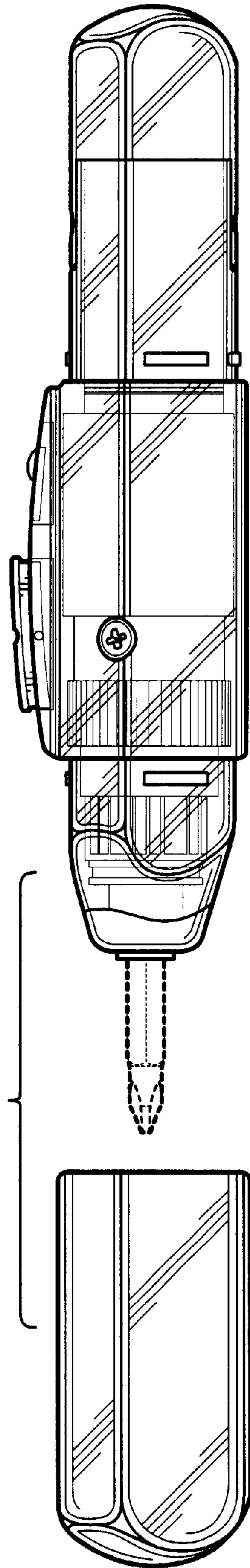


FIG. 6

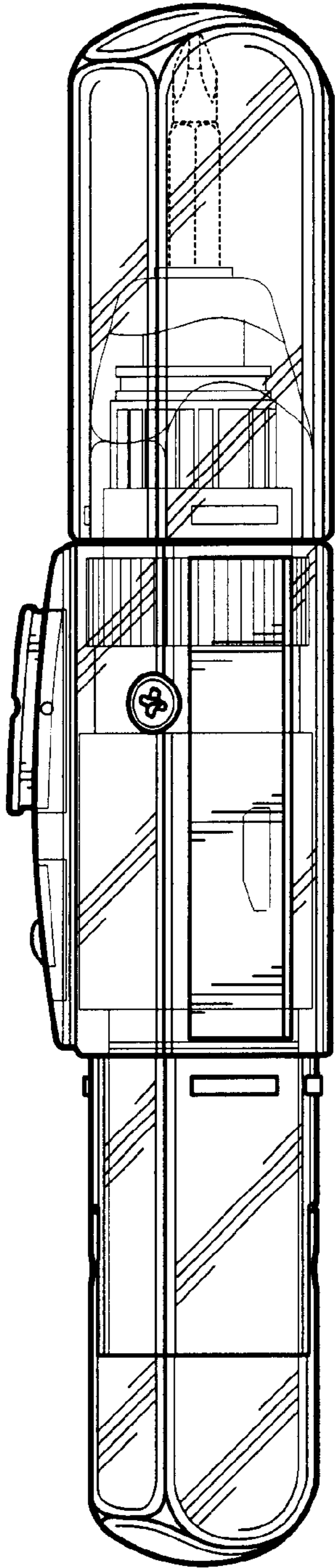


Fig. 7

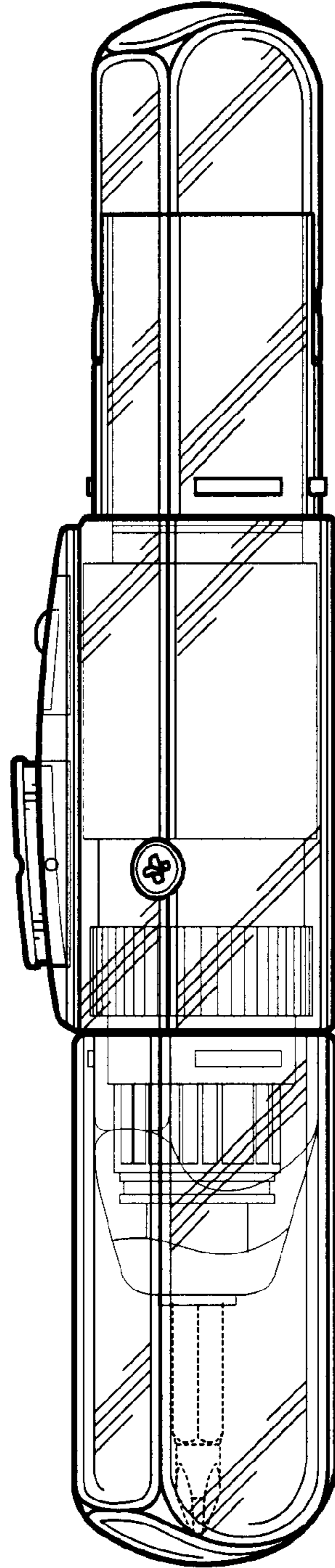


Fig. 8

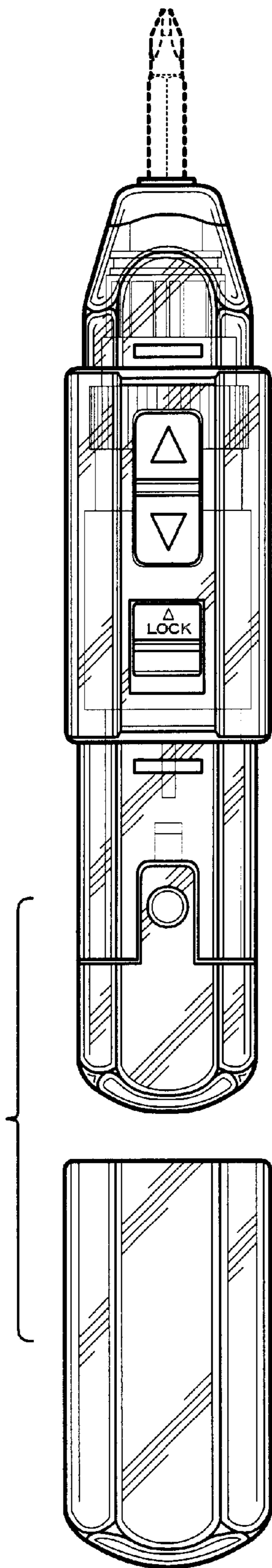


FIG. 9

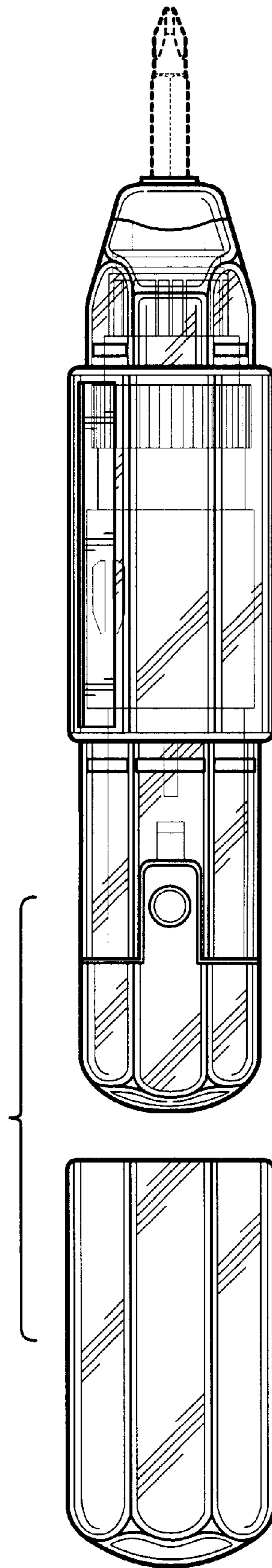


FIG. 10

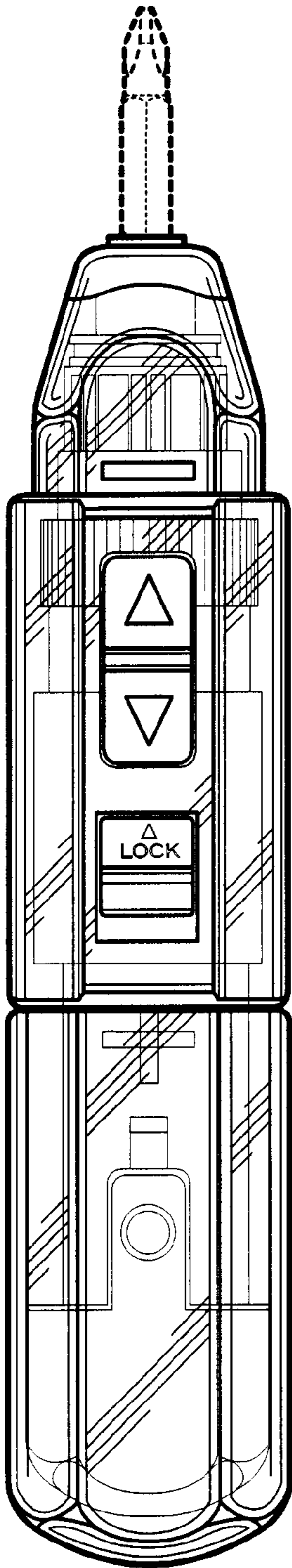


FIG. 11

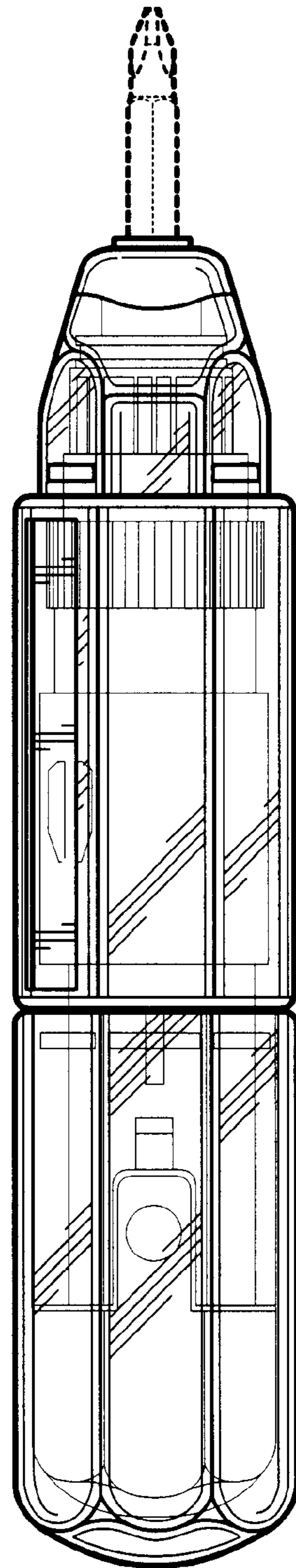


FIG. 12

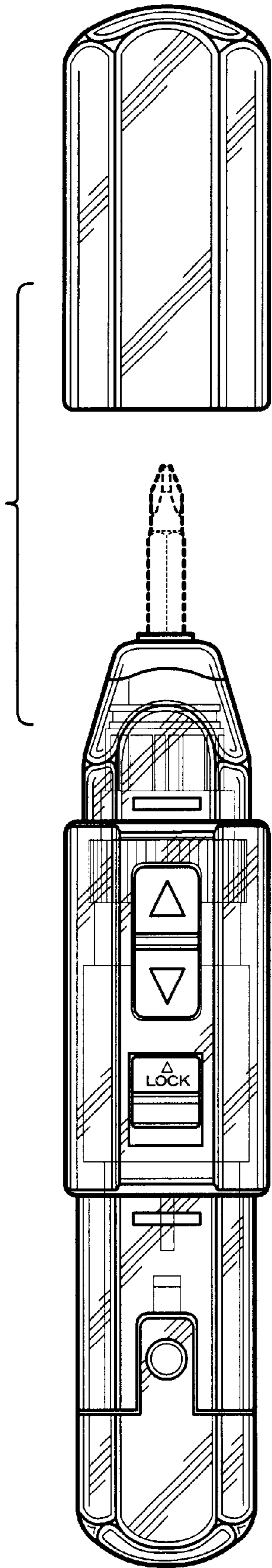


Fig. 13

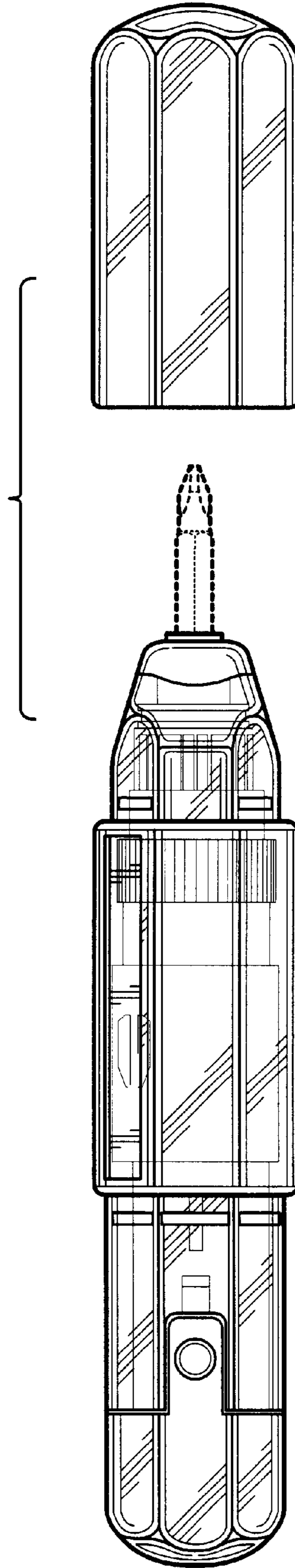


Fig. 14

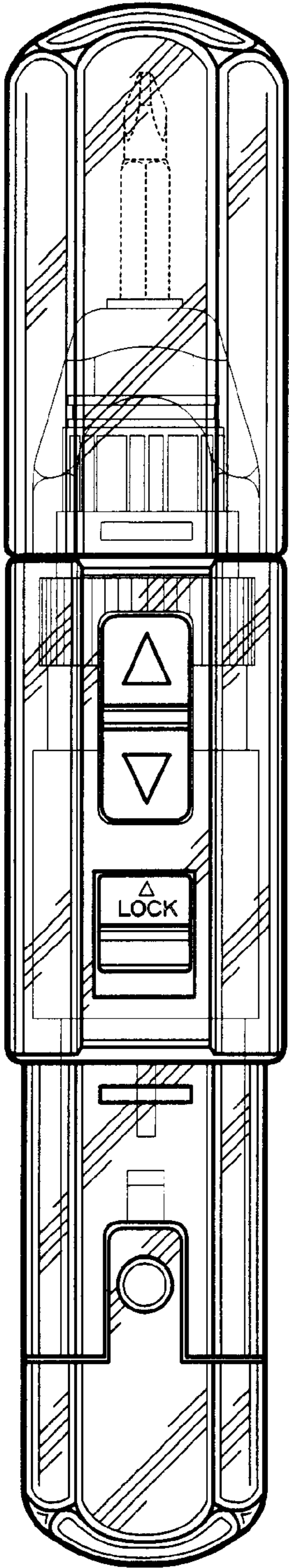


FIG. 15

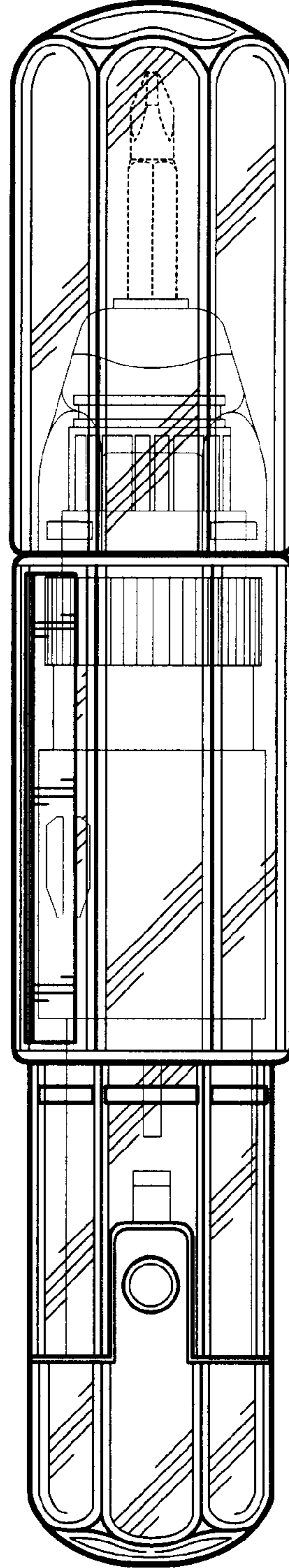


FIG. 16

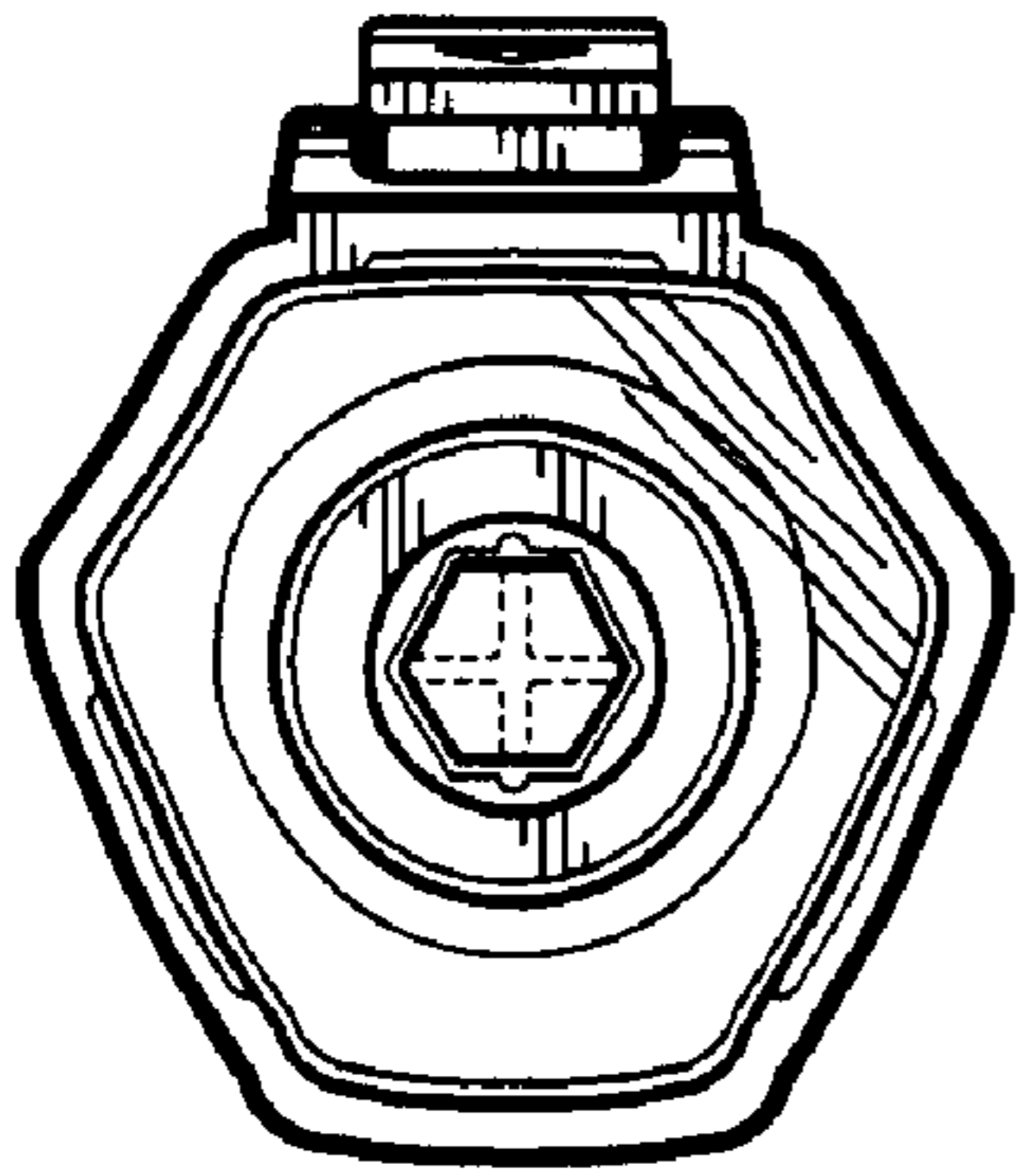


FIG. 17

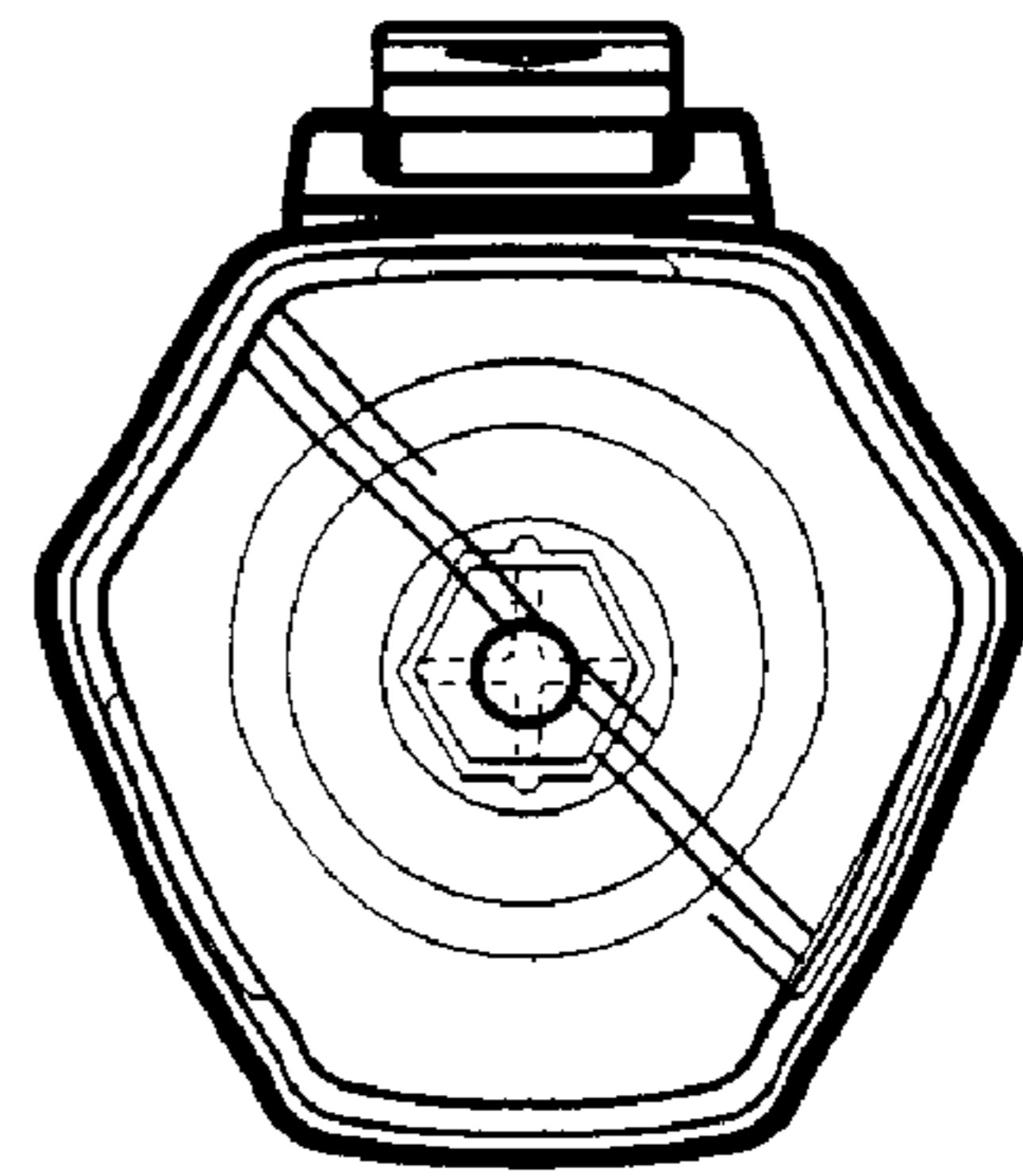


FIG. 18

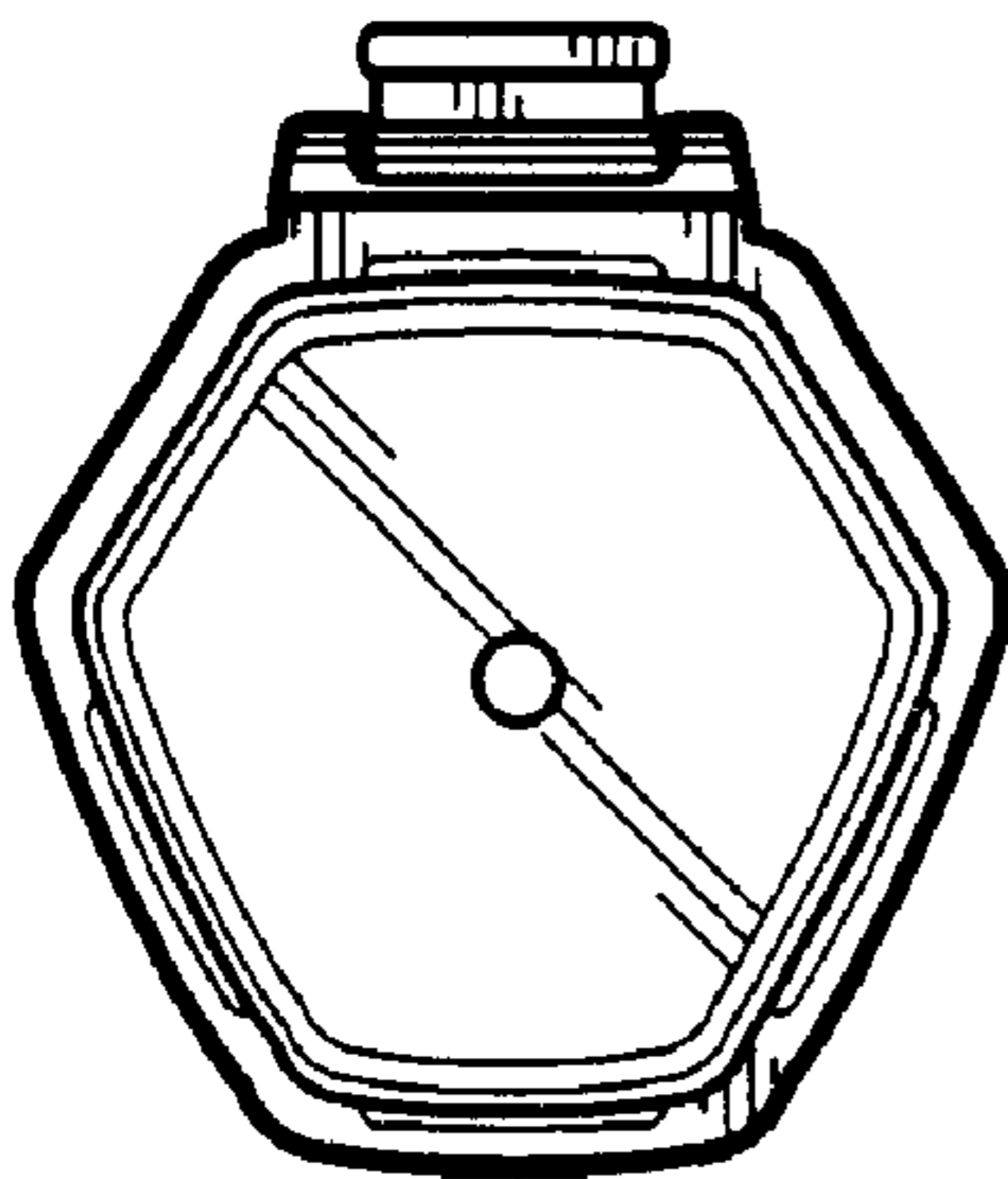


FIG. 19

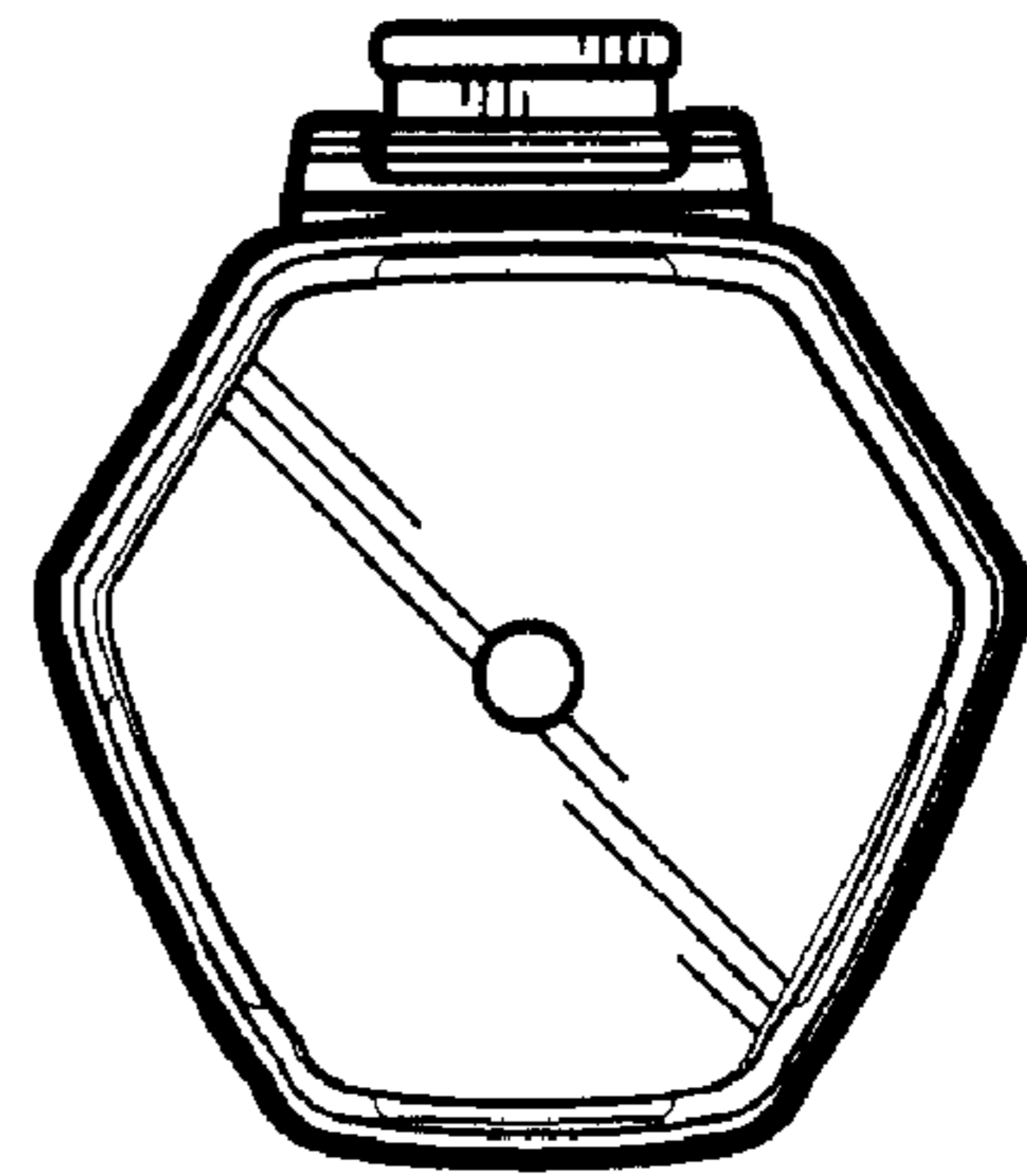


FIG. 20