



US00D467142S

(12) **United States Design Patent**  
**Li**

(10) **Patent No.:** **US D467,142 S**

(45) **Date of Patent:** **\*\* Dec. 17, 2002**

(54) **CORKSCREW**

(75) **Inventor:** **Yung-To Li, Tainan (TW)**

(73) **Assignee:** **Taiwan Wan Nien Electric Appliance Co., Ltd., Yung-Kang (TW)**

(\*\*) **Term:** **14 Years**

(21) **Appl. No.:** **29/154,097**

(22) **Filed:** **Jan. 18, 2002**

(51) **LOC (7) Cl.** ..... **07-99**

(52) **U.S. Cl.** ..... **D8/39; D8/42**

(58) **Field of Search** ..... **D8/33-43, 308, D8/4, 5, 107, 52, 48; 30/400-443; 81/3.07-3.49; 7/151-156; D7/665, 666; D23/250, 252; D12/179, 180; 74/523, 480 R, 489, 502.2**

(56) **References Cited**

**U.S. PATENT DOCUMENTS**

D233,533 S	*	11/1974	Ocel et al. ....	D7/666 X
4,253,351 A	*	3/1981	Allen .....	81/3.29
D408,697 S	*	4/1999	Bergen .....	D8/42
D415,667 S	*	10/1999	de Bergen .....	D8/42
D420,558 S	*	2/2000	Lee .....	D8/39
D430,994 S	*	9/2000	Kilduff .....	D8/39
D441,265 S	*	5/2001	Kilduff .....	D8/39
D442,043 S	*	5/2001	Kao .....	D8/39
D442,045 S	*	5/2001	Kilduff .....	D8/39
D444,045 S	*	6/2001	Kay .....	D8/39
D444,855 S	*	7/2001	Green et al. ....	D23/252

D445,008 S	*	7/2001	Andina et al. ....	D8/42
D446,098 S	*	8/2001	Kilduff .....	D8/39
D446,702 S	*	8/2001	Kilduff .....	D8/39
6,357,322 B1	*	3/2002	Dolan et al. ....	81/3.37
D455,058 S	*	4/2002	Stirling .....	D8/39

**OTHER PUBLICATIONS**

Summer 1997 Chef's Catalog, dated May 5, 1997, p. 76, Leverpull LX professional model.\*  
www.winetimegiftstore.com, 2pgs., Jan. 9, 2002, lever model lx and lever model 2000.\*

\* cited by examiner

*Primary Examiner*—Jeffrey Asch

(74) *Attorney, Agent, or Firm*—Pennie & Edmonds LLP

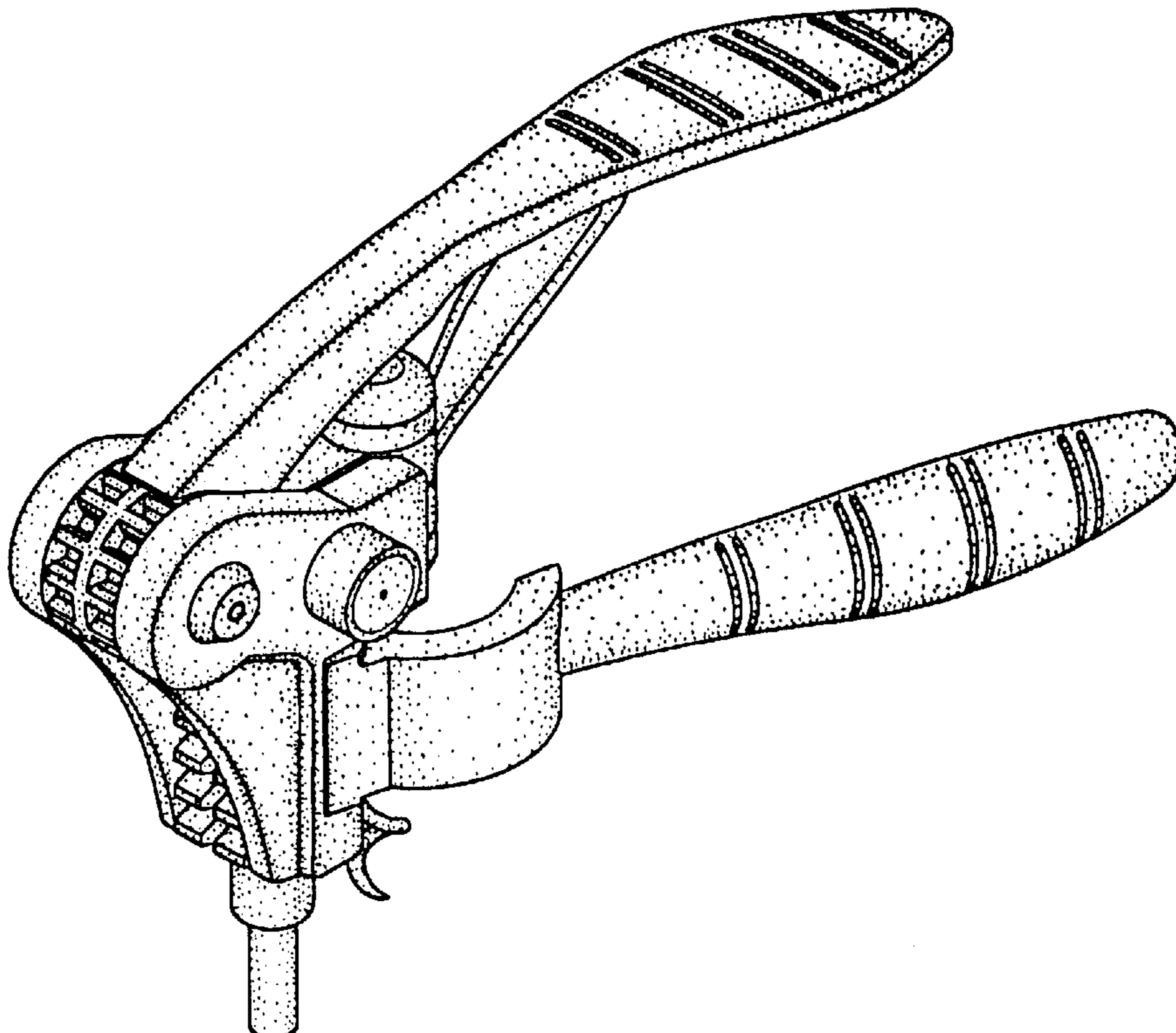
(57) **CLAIM**

The ornamental design for a corkscrew, as shown and described.

**DESCRIPTION**

FIG. 1 is a perspective view of the corkscrew according to the invention;  
FIG. 2 is a front view thereof;  
FIG. 3 is a rear view thereof;  
FIG. 4 is a left side view thereof;  
FIG. 5 is a right side view thereof;  
FIG. 6 is a top view thereof; and,  
FIG. 7 is a bottom view thereof.

**1 Claim, 4 Drawing Sheets**



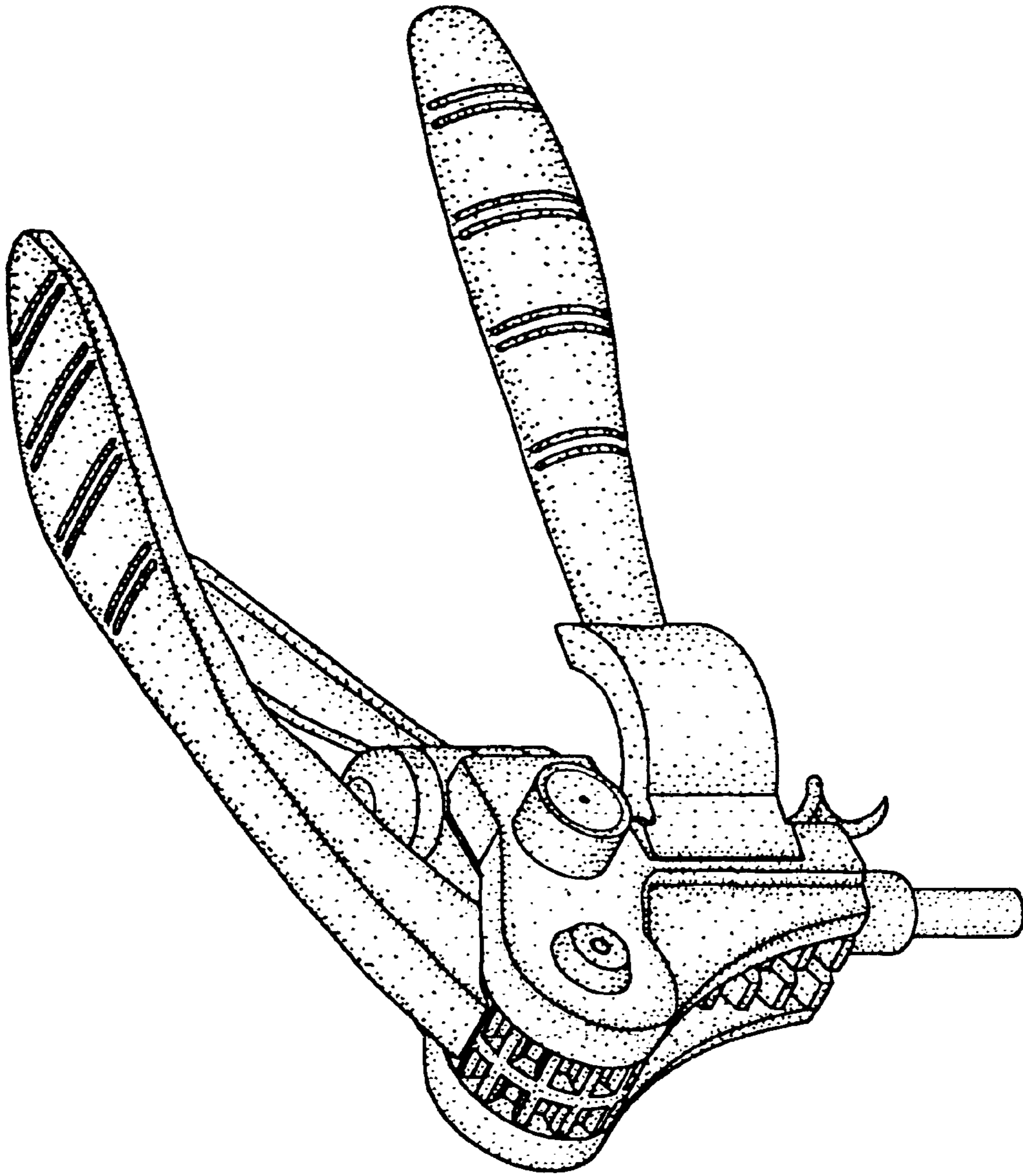


FIG. 1

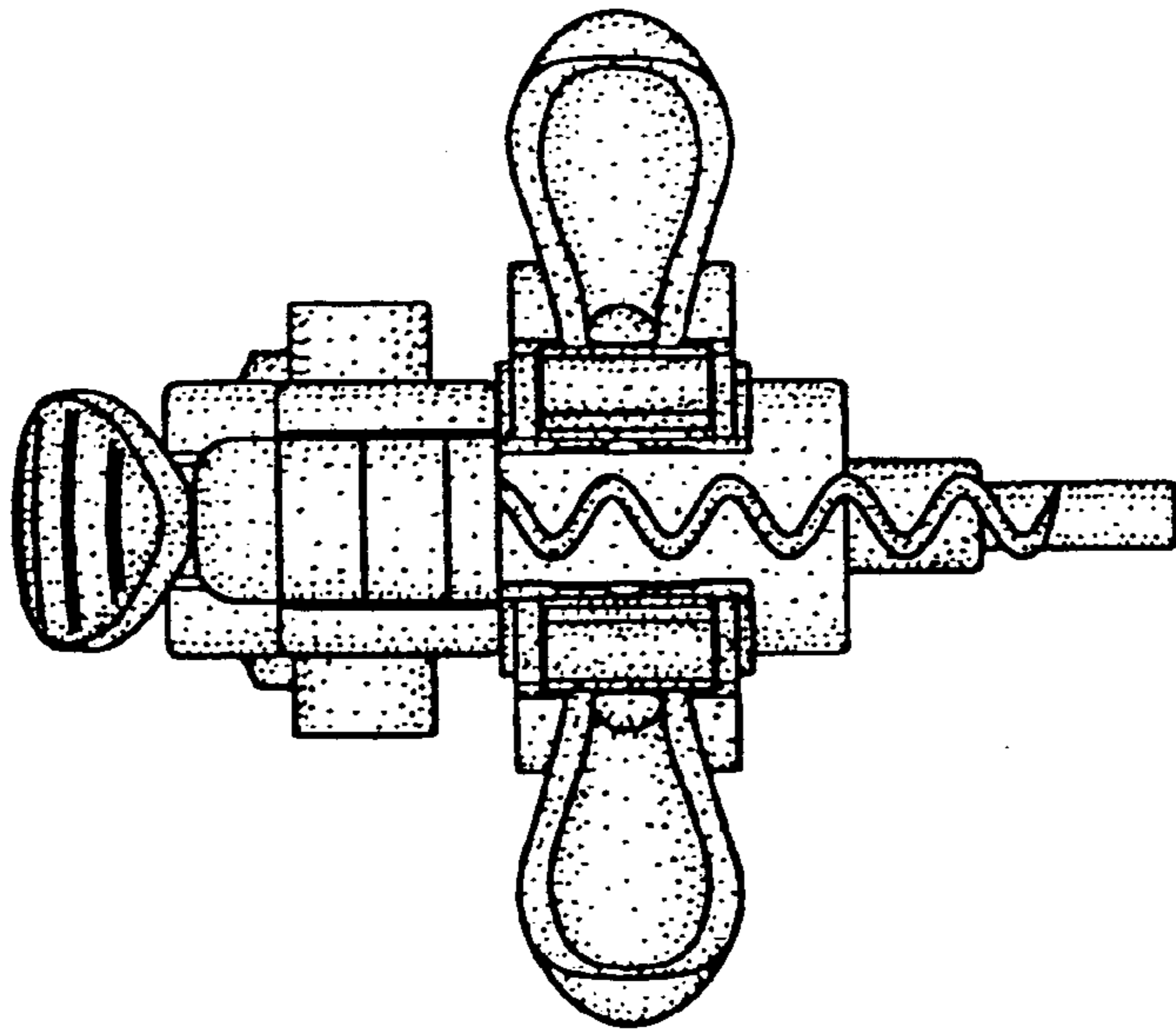


FIG. 3

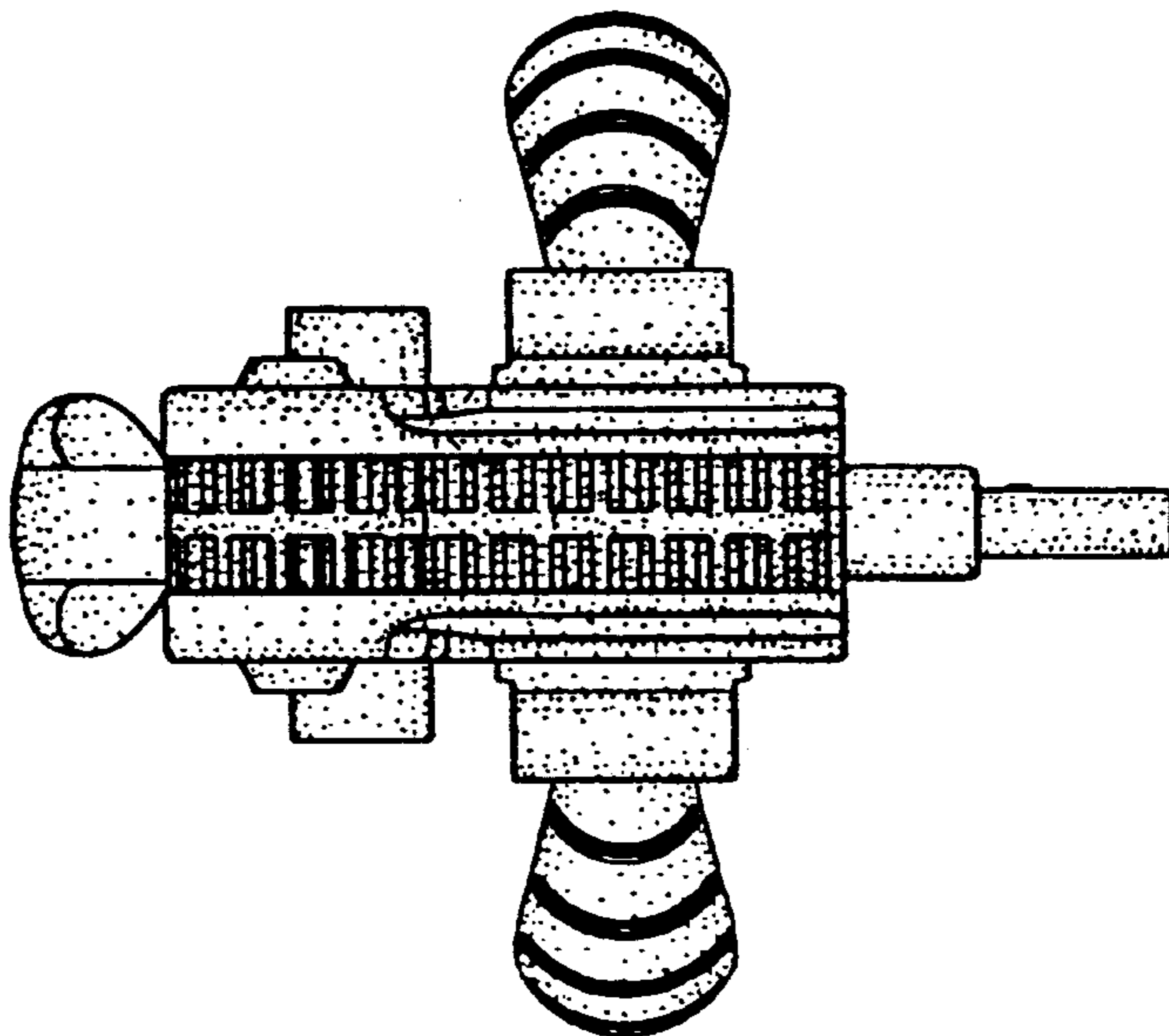


FIG. 2

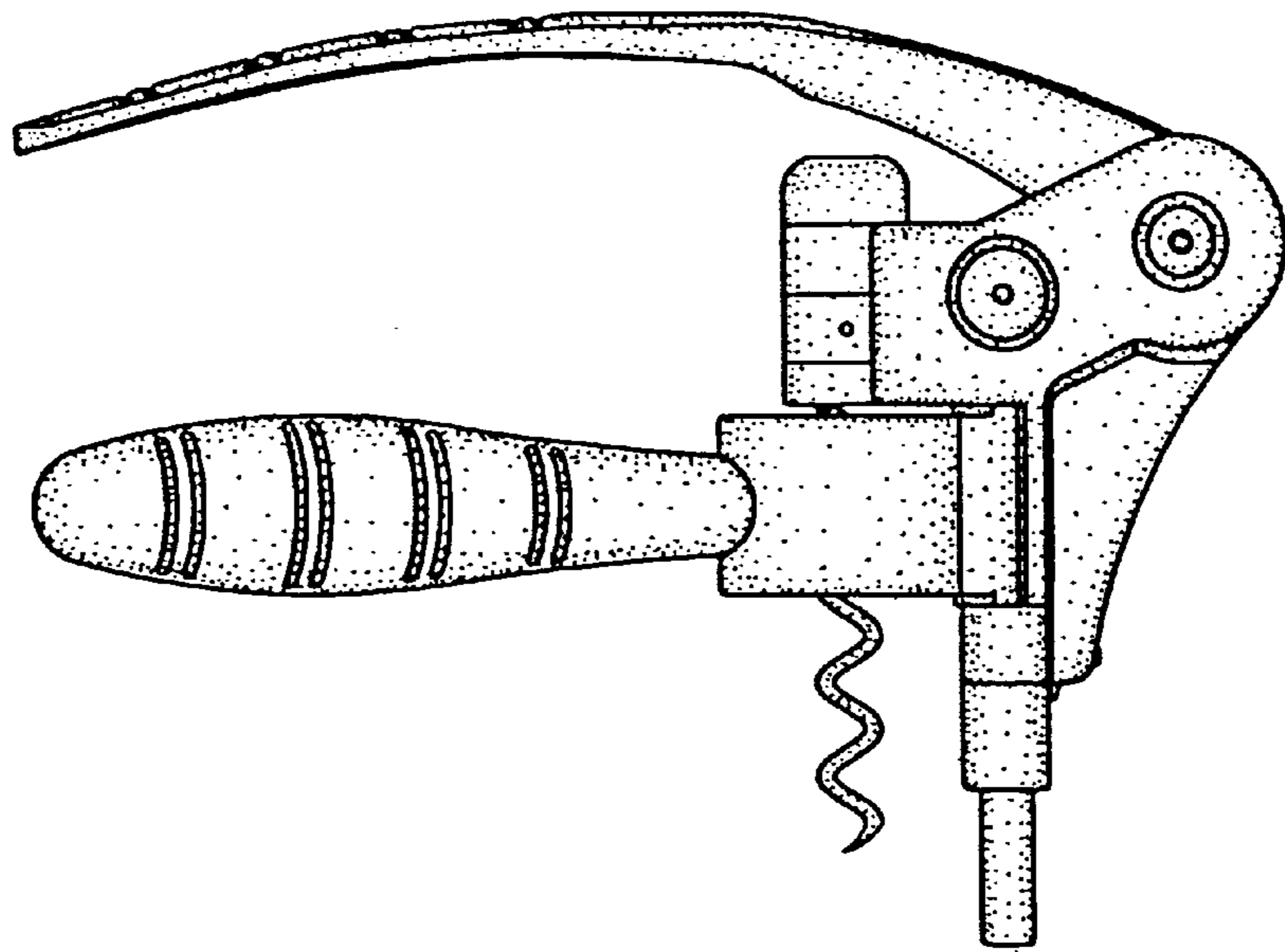


FIG. 4

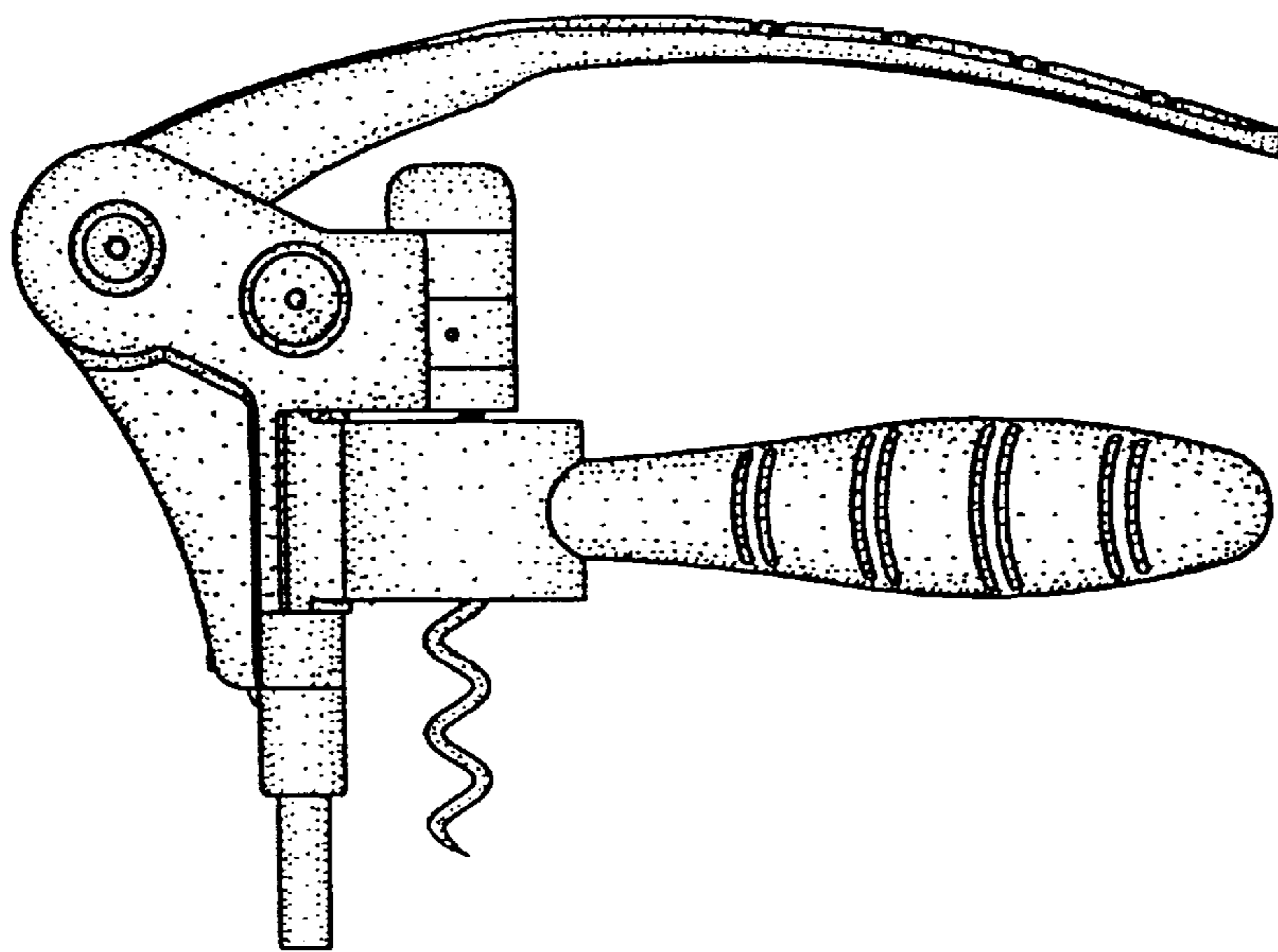


FIG. 5



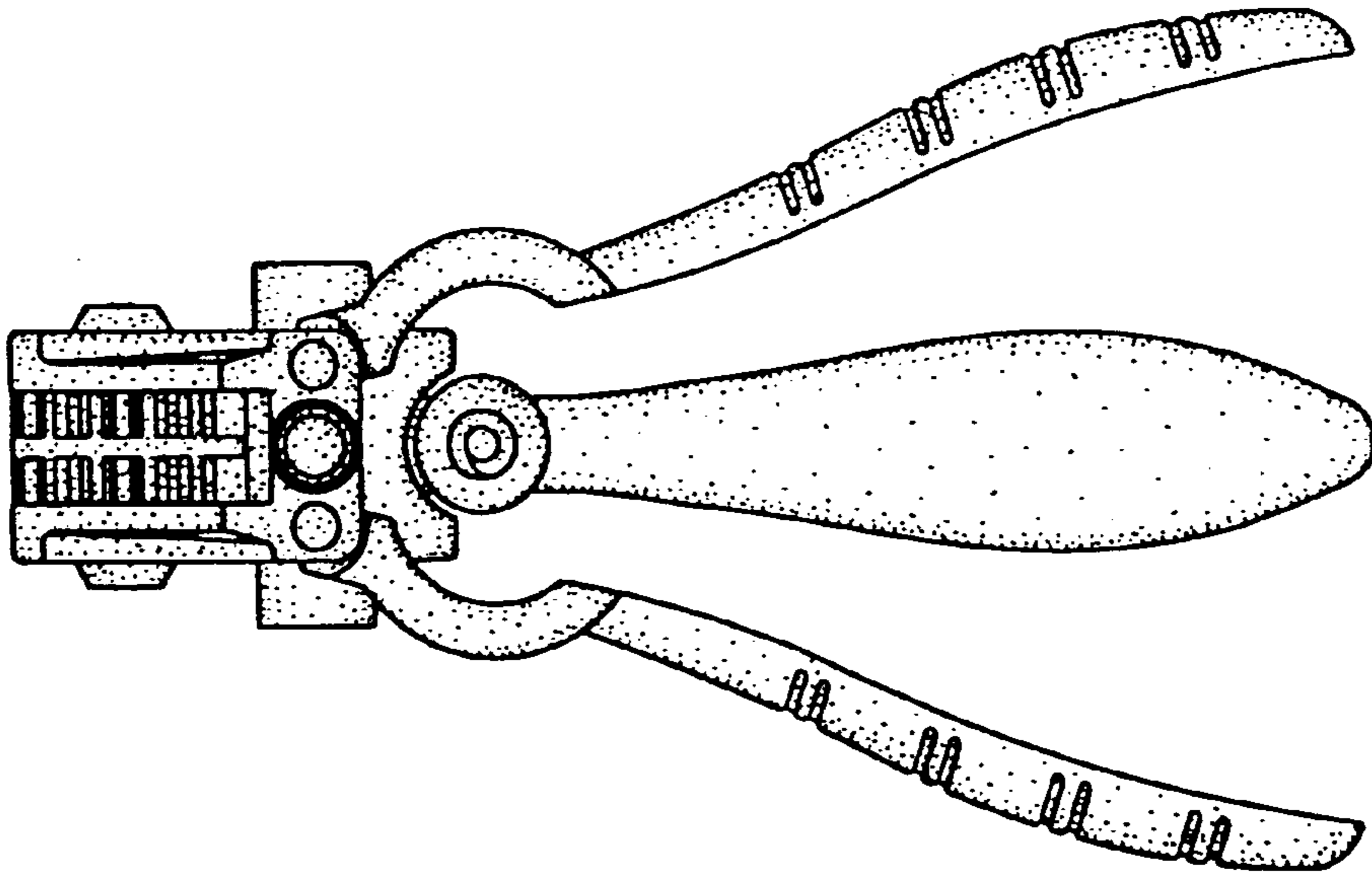


FIG. 7

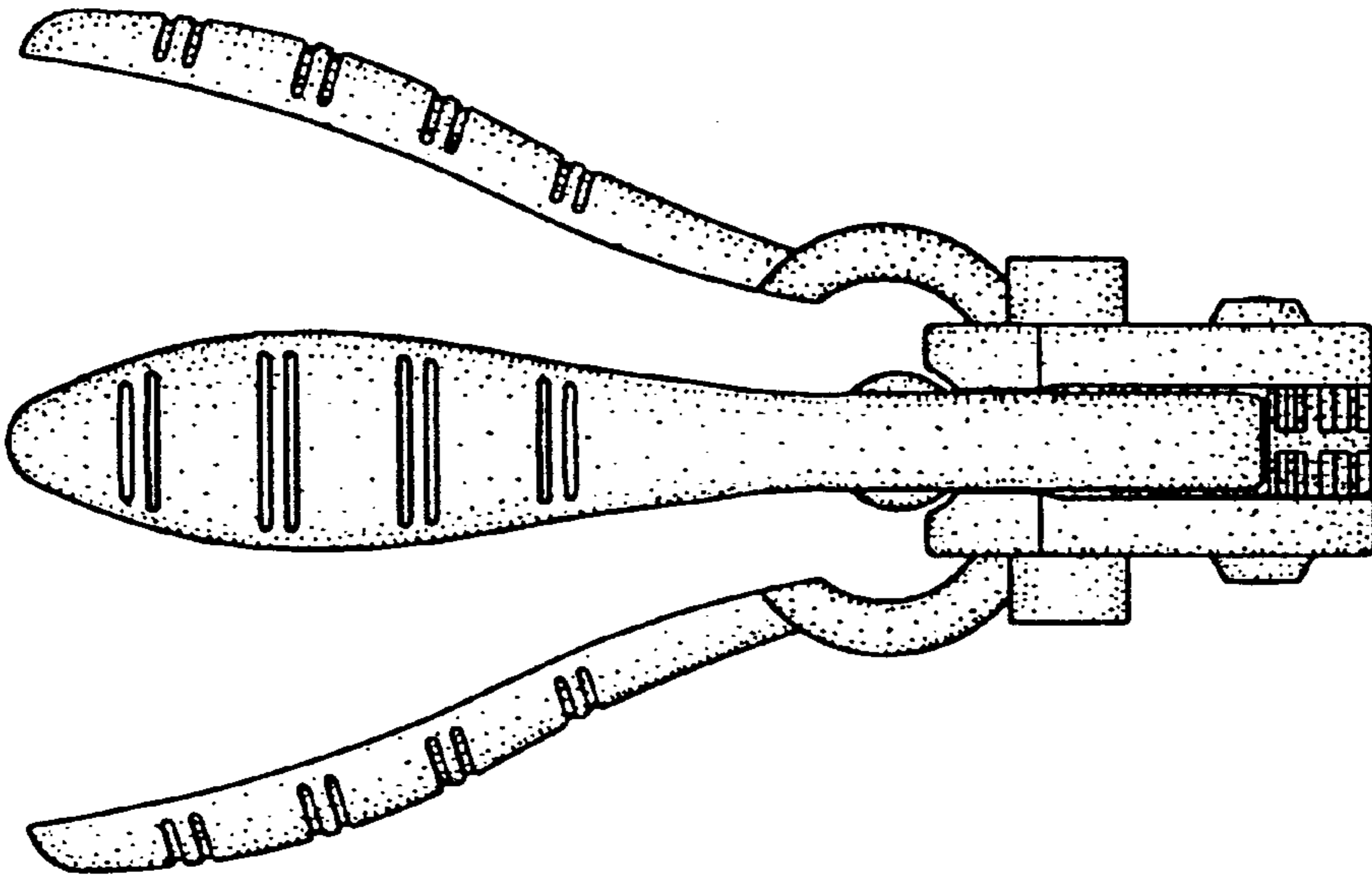


FIG. 6