



US00D467140S

(12) **United States Design Patent**
Dedrick

(10) **Patent No.:** **US D467,140 S**

(45) **Date of Patent:** **** Dec. 17, 2002**

(54) **COMBINATION GARDEN TOOL**

D424,895 S * 5/2000 Sanazaro D8/10

* cited by examiner

(76) Inventor: **Ted R. Dedrick**, 14135 Campo Rd.,
Jamul, CA (US) 91935

Primary Examiner—Robin V. Taylor

(74) *Attorney, Agent, or Firm*—Charles C. Logan, II

(**) Term: **14 Years**

(57) **CLAIM**

(21) Appl. No.: **29/145,302**

The ornamental design for a combination garden tool, as shown and described.

(22) Filed: **Jul. 20, 2001**

DESCRIPTION

(51) **LOC (7) Cl.** **08-01**

FIG. 1 is a front perspective view of the novel combination garden tool;

(52) **U.S. Cl.** **D8/10**

FIG. 2 is a front elevation view thereof;

(58) **Field of Search** D8/1, 10; 294/49,
294/53.5, 54.5, 60

FIG. 3 is a rear elevation view thereof;

FIG. 4 is a left side view thereof and the right side view would be identical, but reversed;

(56) **References Cited**

U.S. PATENT DOCUMENTS

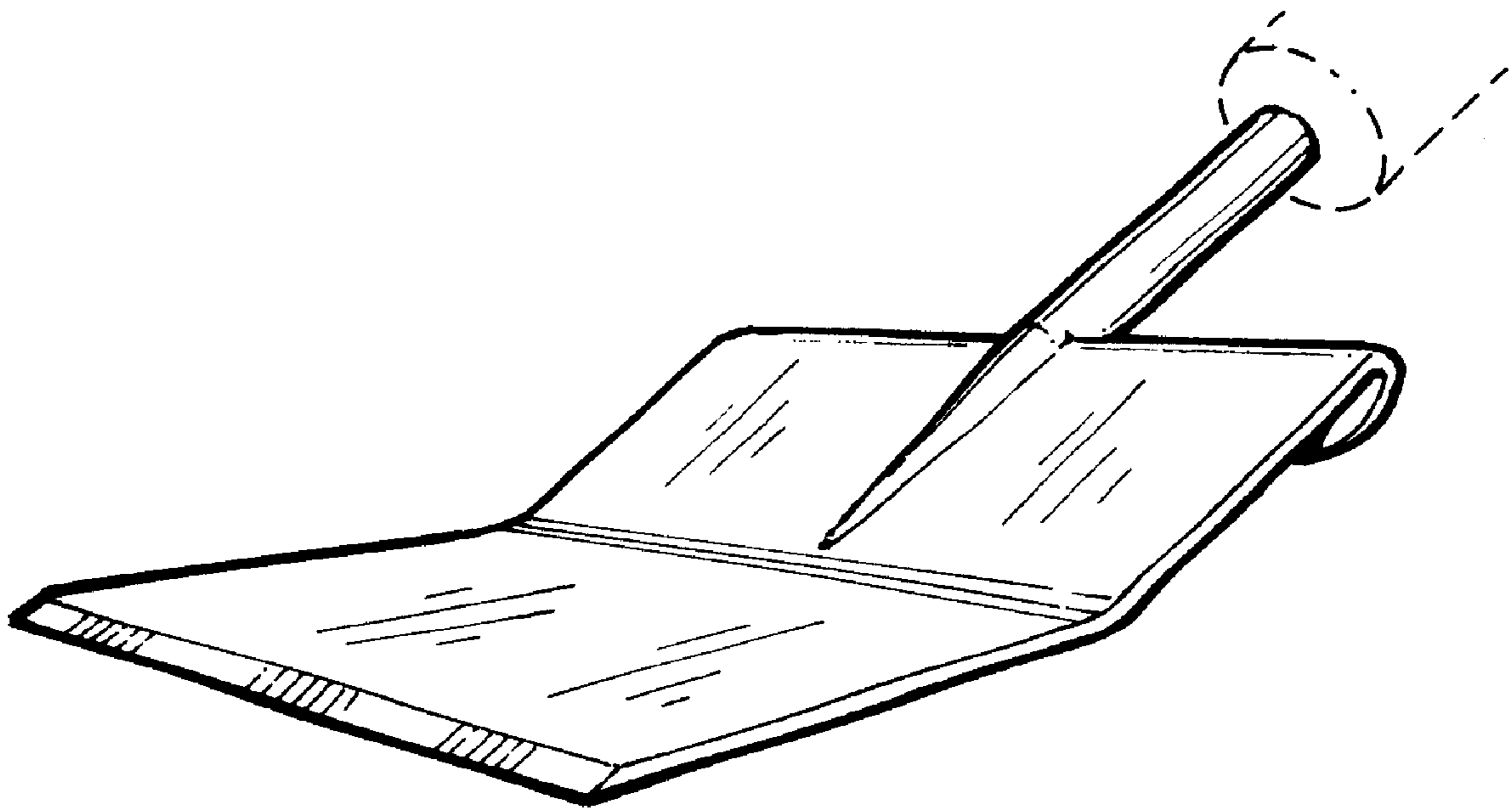
3,465,457 A	*	9/1969	Stone	294/49
3,784,245 A	*	1/1974	Koller	294/49
D363,862 S	*	11/1995	Lusignan	D8/10
D412,817 S	*	8/1999	Charland	D8/10

FIG. 5 is a bottom plan view thereof; and,

FIG. 6 is a top plan view.

The broken line showing is for illustrative purposes only and forms no part of the claimed design.

1 Claim, 1 Drawing Sheet



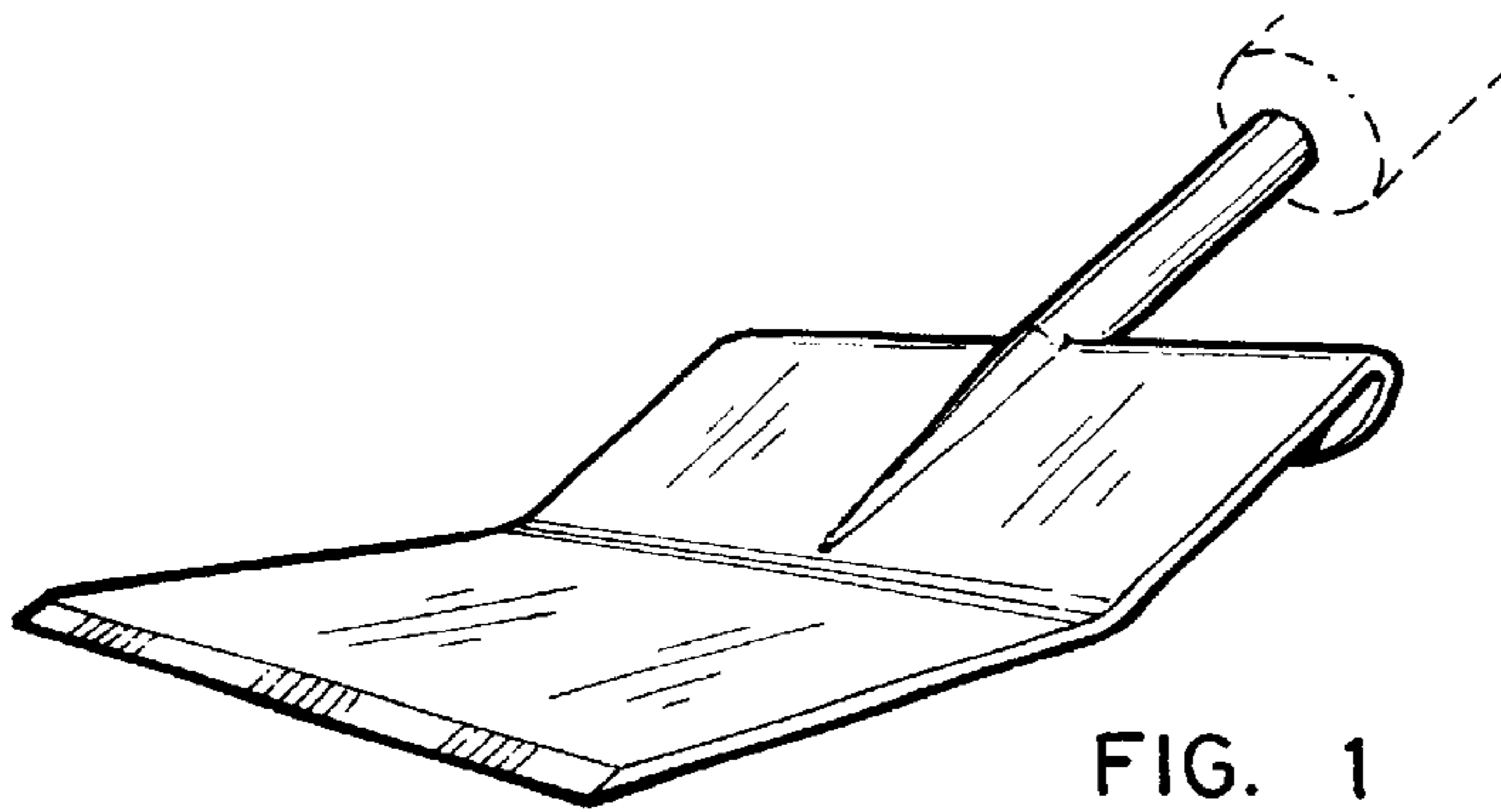


FIG. 1

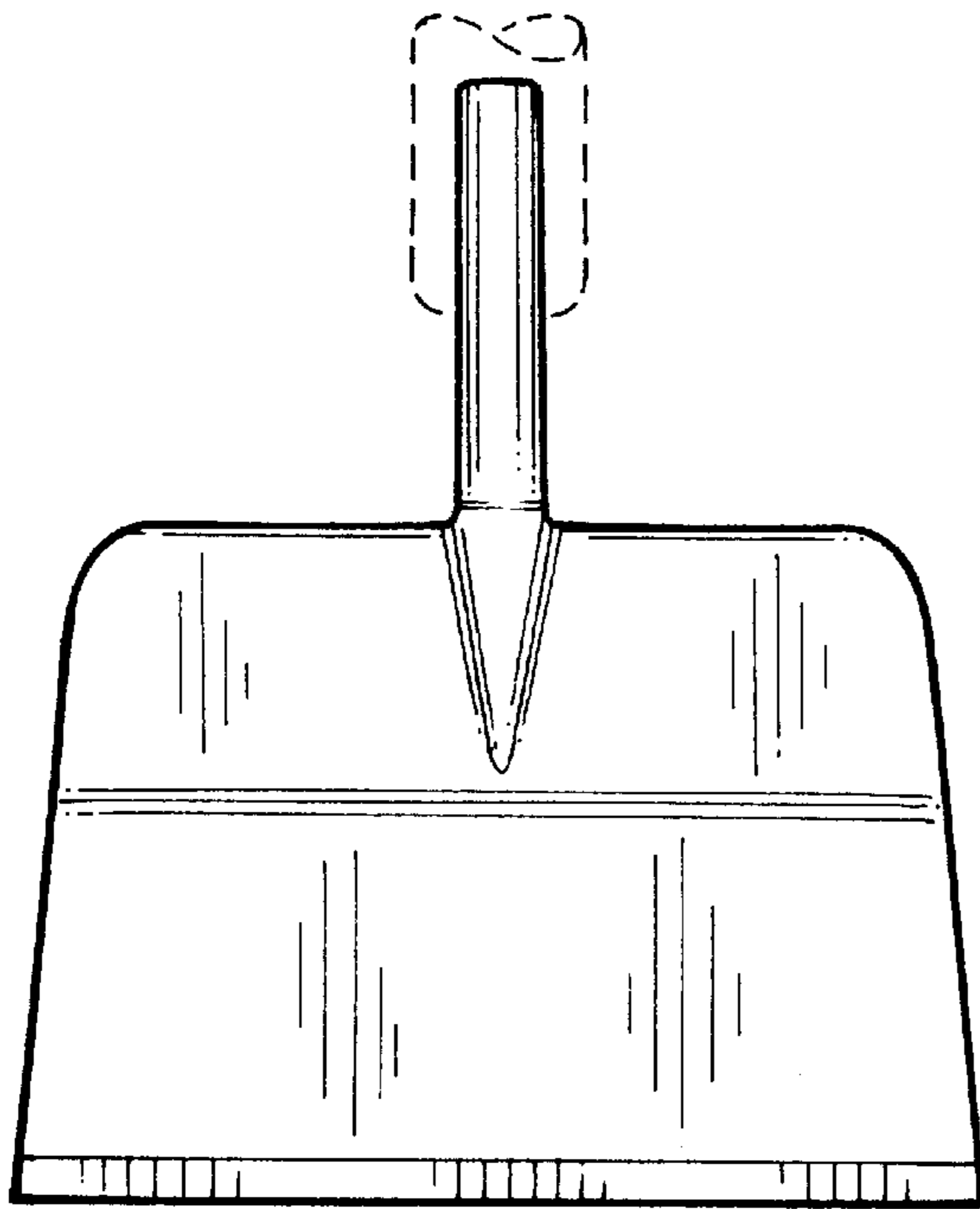


FIG. 2

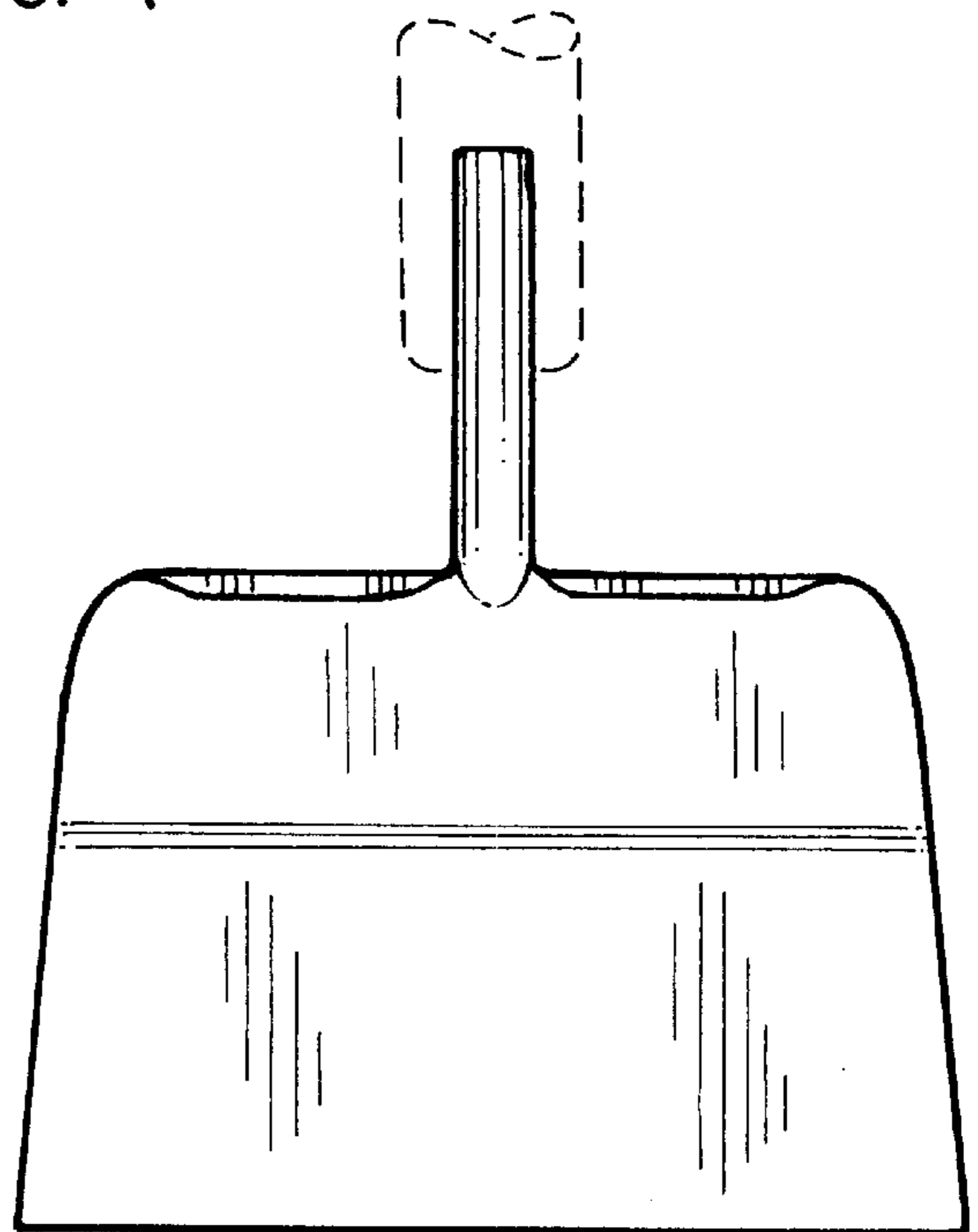


FIG. 3

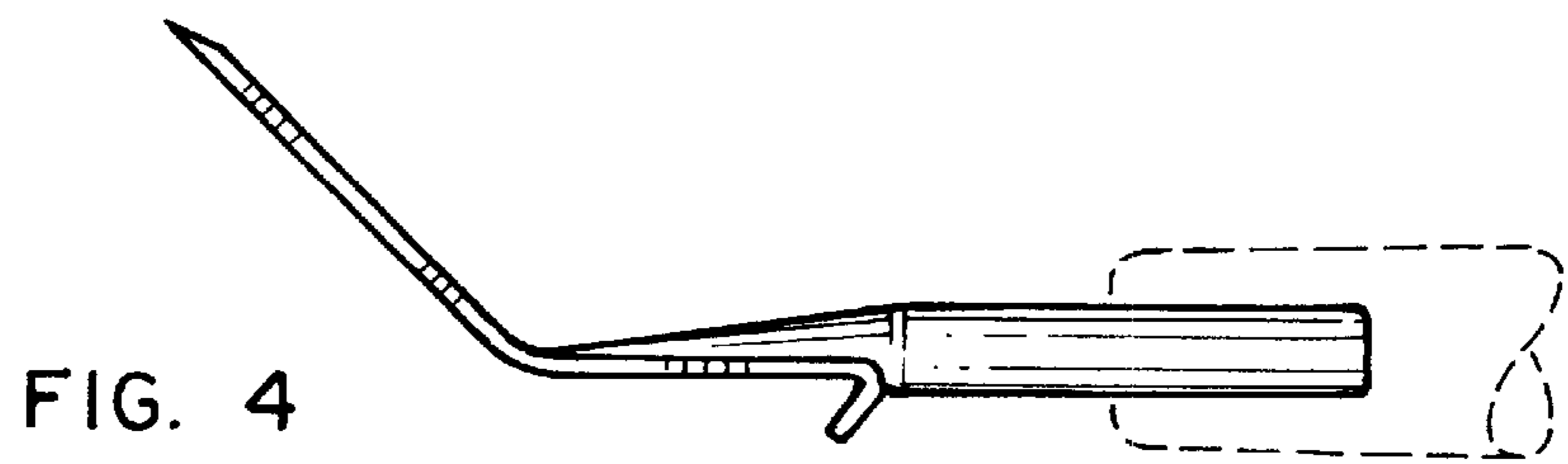


FIG. 4

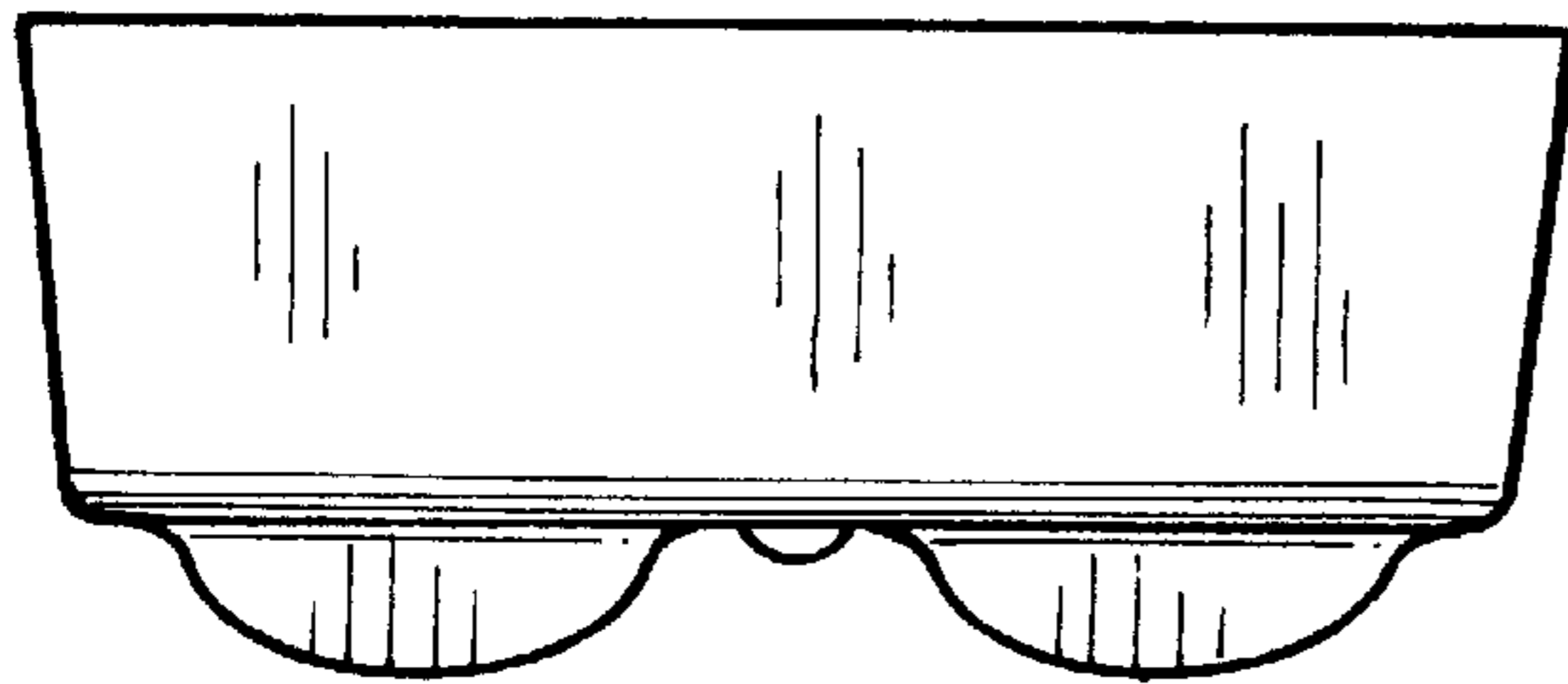


FIG. 5

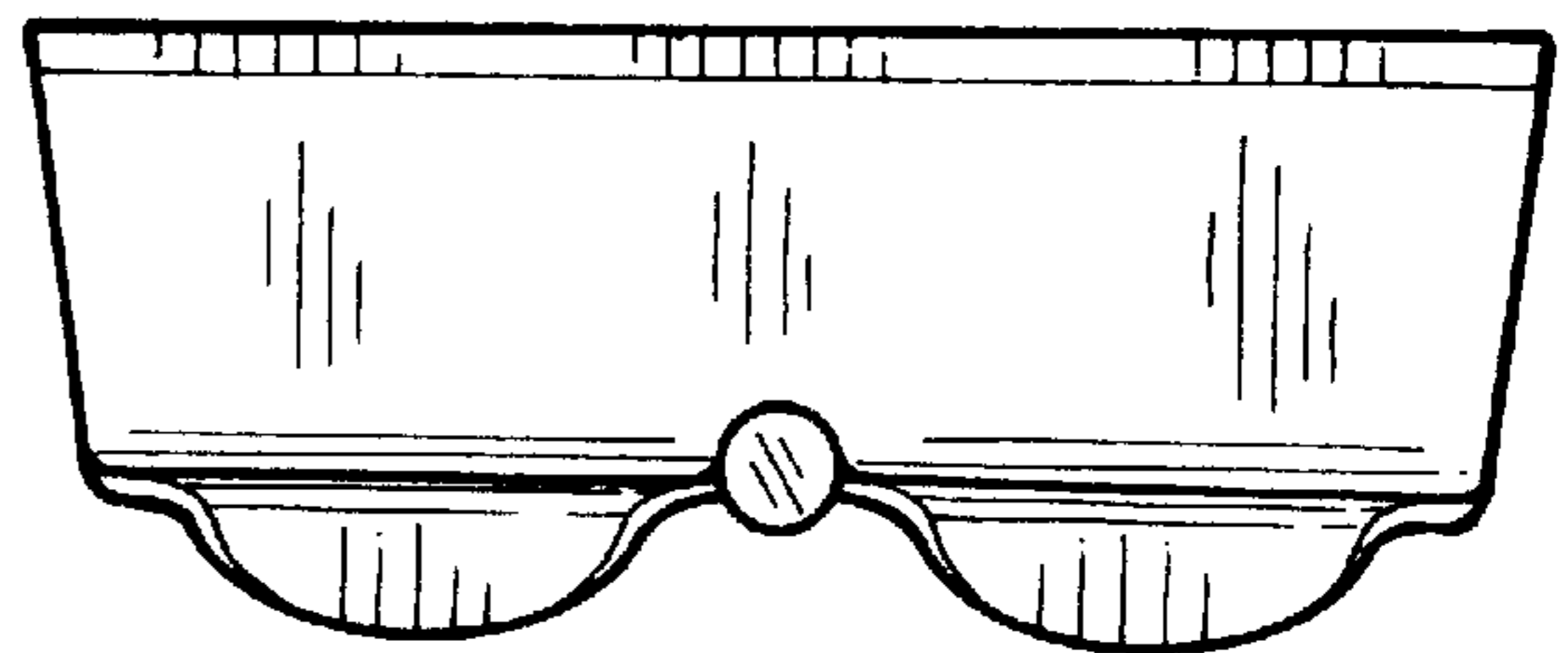


FIG. 6