



US00D467138S

(12) **United States Design Patent**
Stanphill

(10) **Patent No.:** **US D467,138 S**

(45) **Date of Patent:** **** Dec. 17, 2002**

(54) **LUNCH BOX**

D400,707 S * 11/1998 AU D3/271

(75) Inventor: **Roby Clay Stanphill**, Maple Lake, MN (US)

* cited by examiner

(73) Assignee: **Zak Designs, Inc.**, Spokane, WA (US)

Primary Examiner—Terry A. Wallace

(**) Term: **14 Years**

(74) *Attorney, Agent, or Firm*—Wells St. John P.S.

(21) Appl. No.: **29/152,863**

(57) **CLAIM**

(22) Filed: **Dec. 28, 2001**

The ornamental design for a lunch box, as shown and described.

(30) **Foreign Application Priority Data**

DESCRIPTION

Aug. 24, 2001 (GB) 2104320

FIG. 1 is a front side elevational view of a lunch box according to a first embodiment of the invention;

(51) **LOC (7) Cl.** **03-01**

FIG. 2 is a back side elevational view thereof;

(52) **U.S. Cl.** **D7/710; D3/271**

FIG. 3 is a right side elevational view thereof

(58) **Field of Search** D7/709, 710, 606;

FIG. 4 is a left side elevational view thereof;

D3/271, 201, 203–206; 62/457.1, 457.7, 371, 372; 206/541–545, 557

FIG. 5 is a top plan view thereof;

FIG. 6 is a bottom plan view thereof; and,

FIG. 7 is a perspective view thereof.

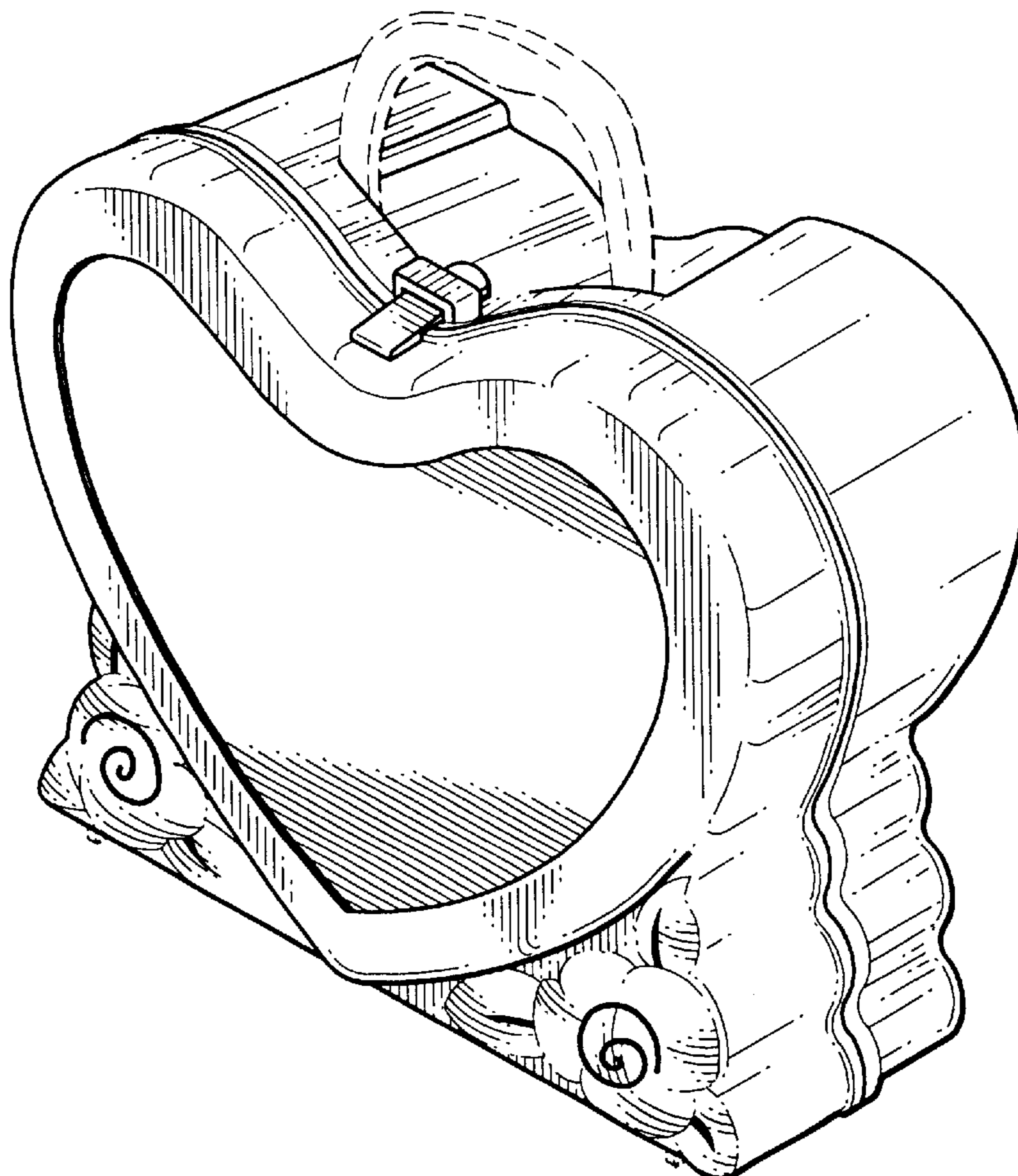
The broken lines are for illustrative purposes only and form no part of the claimed design.

(56) **References Cited**

U.S. PATENT DOCUMENTS

D366,148 S * 1/1996 Hope D3/271

1 Claim, 5 Drawing Sheets



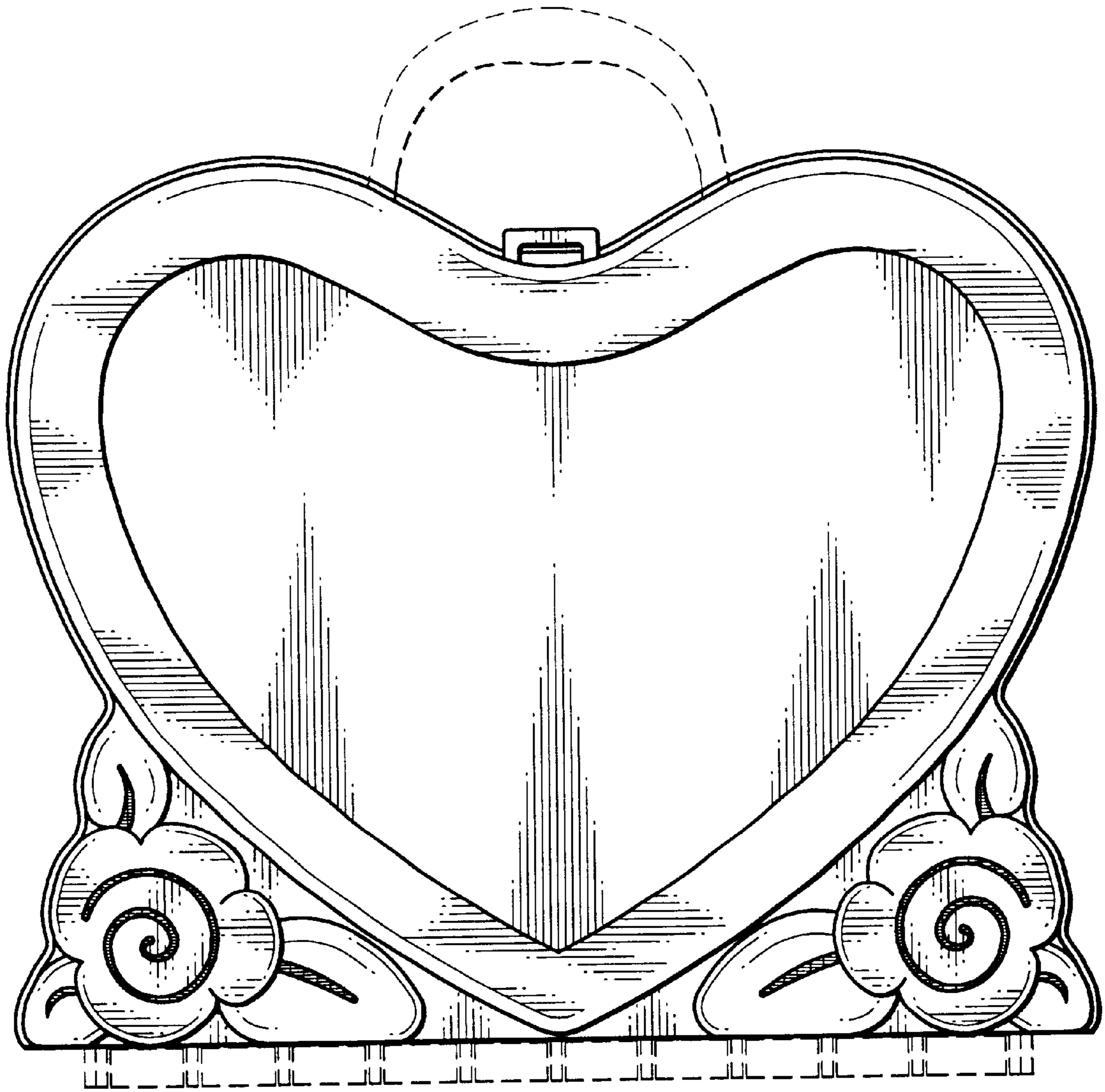
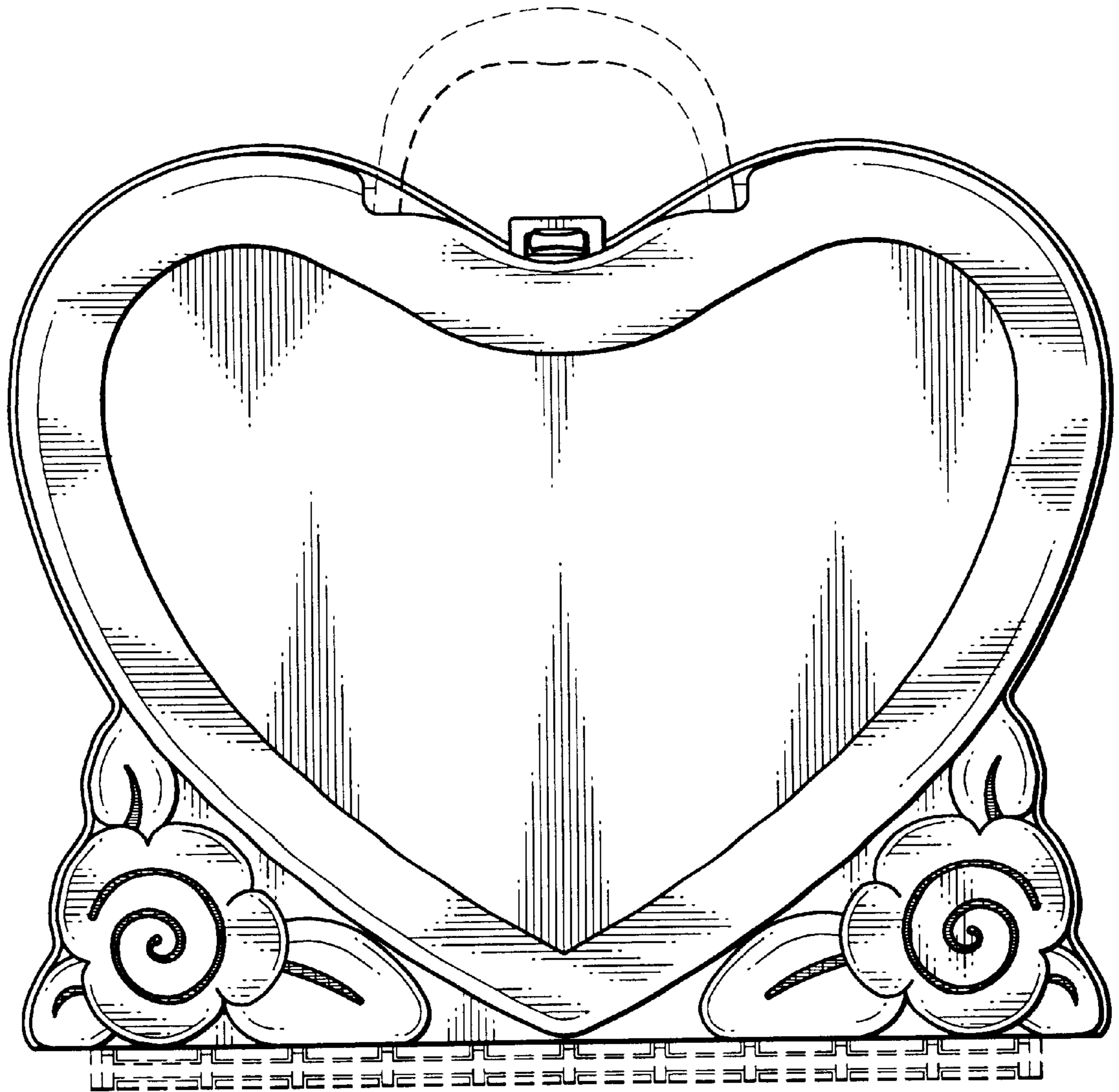


FIG. 1



11 11 11 11

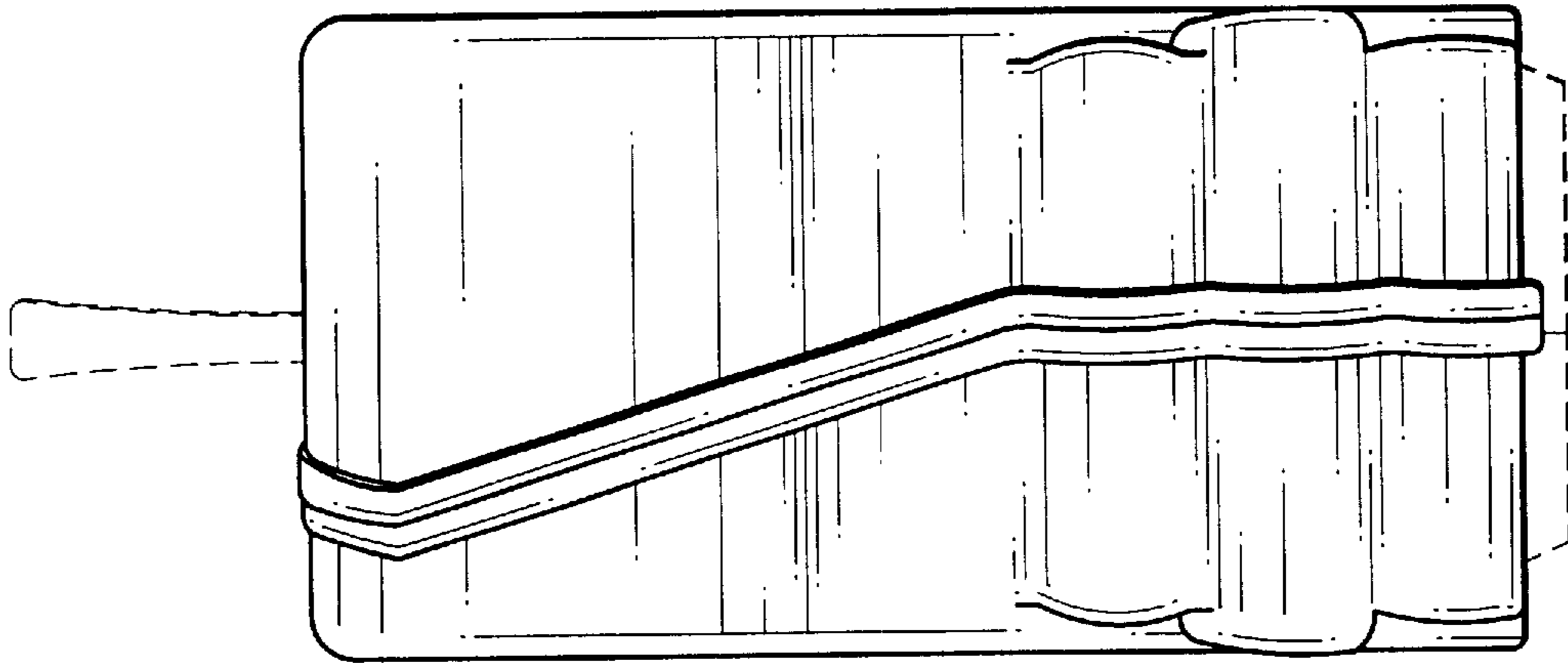


FIG. 3

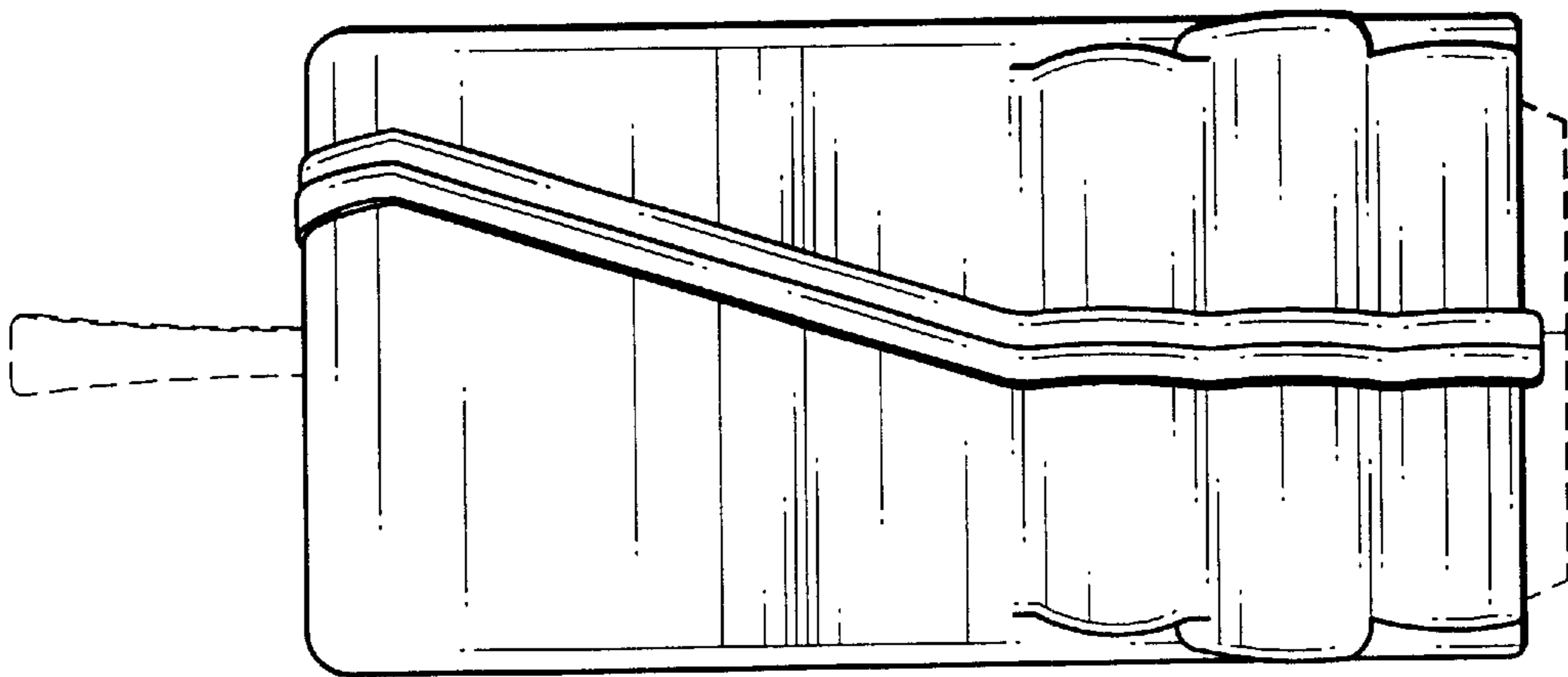


FIG. 4

