



US00D467135S

(12) **United States Design Patent**  
**Levien et al.**

(10) **Patent No.:** **US D467,135 S**

(45) **Date of Patent:** **\*\* Dec. 17, 2002**

(54) **SLICER**

2,720,234 A \* 10/1955 Fett ..... 241/273.1  
4,546,928 A \* 10/1985 Suzuki ..... 241/95

(75) Inventors: **Robin Levien**, London (GB); **Anthony Harrison Griffin**, Gloucestershire (GB)

\* cited by examiner

(73) Assignee: **Maxpat Trading & Marketing (Far East) Limited**, Hong Kong (HK)

*Primary Examiner*—Terry A. Wallace

(74) *Attorney, Agent, or Firm*—Ostrolenk, Faber, Gerb & Soffen, LLP

(\*\*) Term: **14 Years**

(57) **CLAIM**

(21) Appl. No.: **29/146,780**

The ornamental design for a “slicer”, as shown and described.

(22) Filed: **Aug. 15, 2001**

(30) **Foreign Application Priority Data**

Feb. 16, 2001 (GB) ..... 2099598

(51) **LOC (7) Cl.** ..... **07-04**

(52) **U.S. Cl.** ..... **D7/673**

(58) **Field of Search** ..... D7/672, 673, 693,  
D7/381, 678; 83/167, 699.51, 856–858,  
701; 99/495, 510; 241/95, 168, 273.1–273.4

**DESCRIPTION**

FIG. 1 is a front perspective view of a slicer showing our new design;

FIG. 2 is a top plan view thereof;

FIG. 3 is a bottom plan view thereof;

FIG. 4 is a right side elevational view thereof;

FIG. 5 is a left side elevational view thereof;

FIG. 6 is a front side elevational view thereof;

FIG. 7 is a rear side elevational view thereof; and,

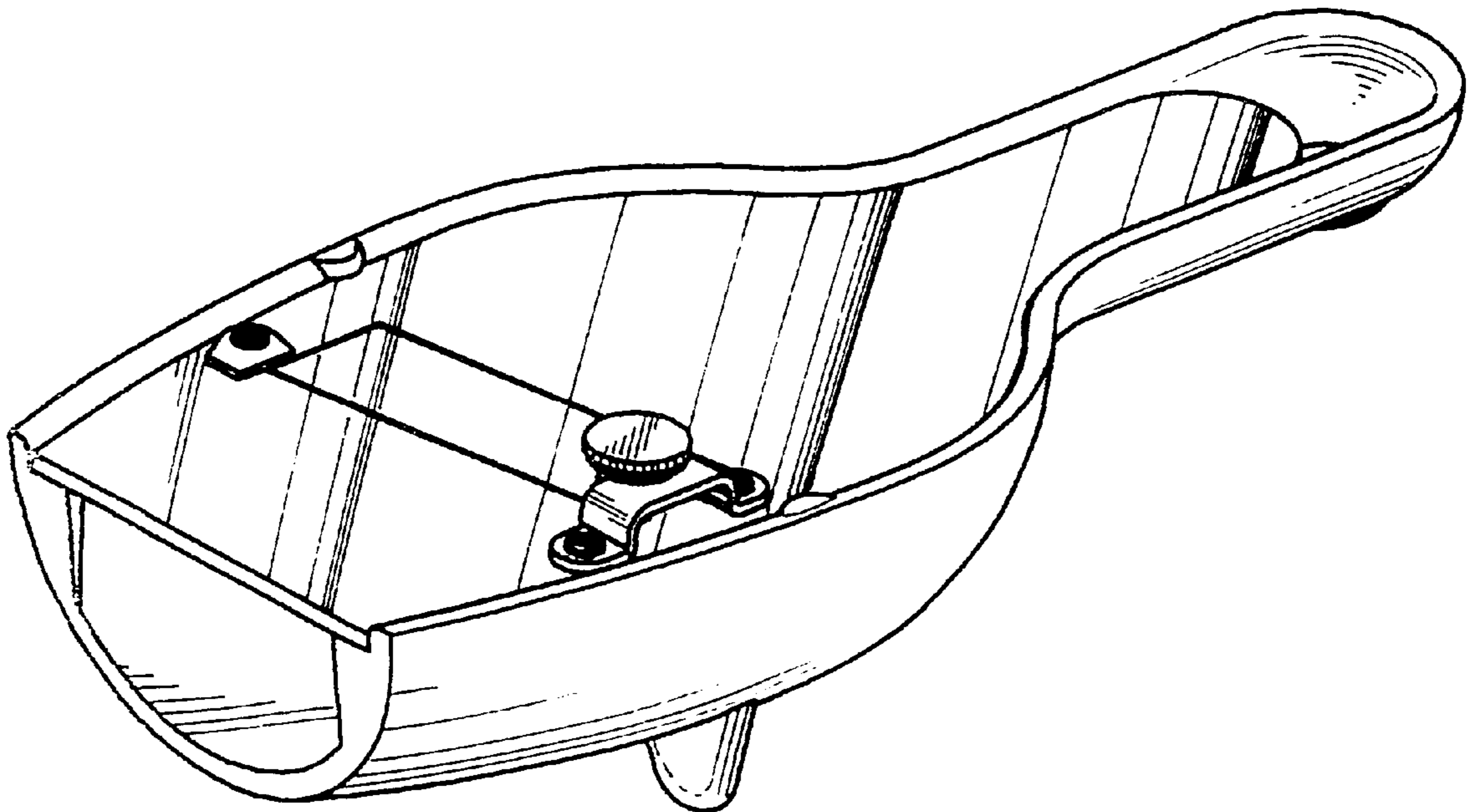
FIG. 8 is an alternate perspective view with blade separated thereof.

(56) **References Cited**

**U.S. PATENT DOCUMENTS**

2,601,087 A \* 6/1952 Buedingen ..... 241/168

**1 Claim, 6 Drawing Sheets**



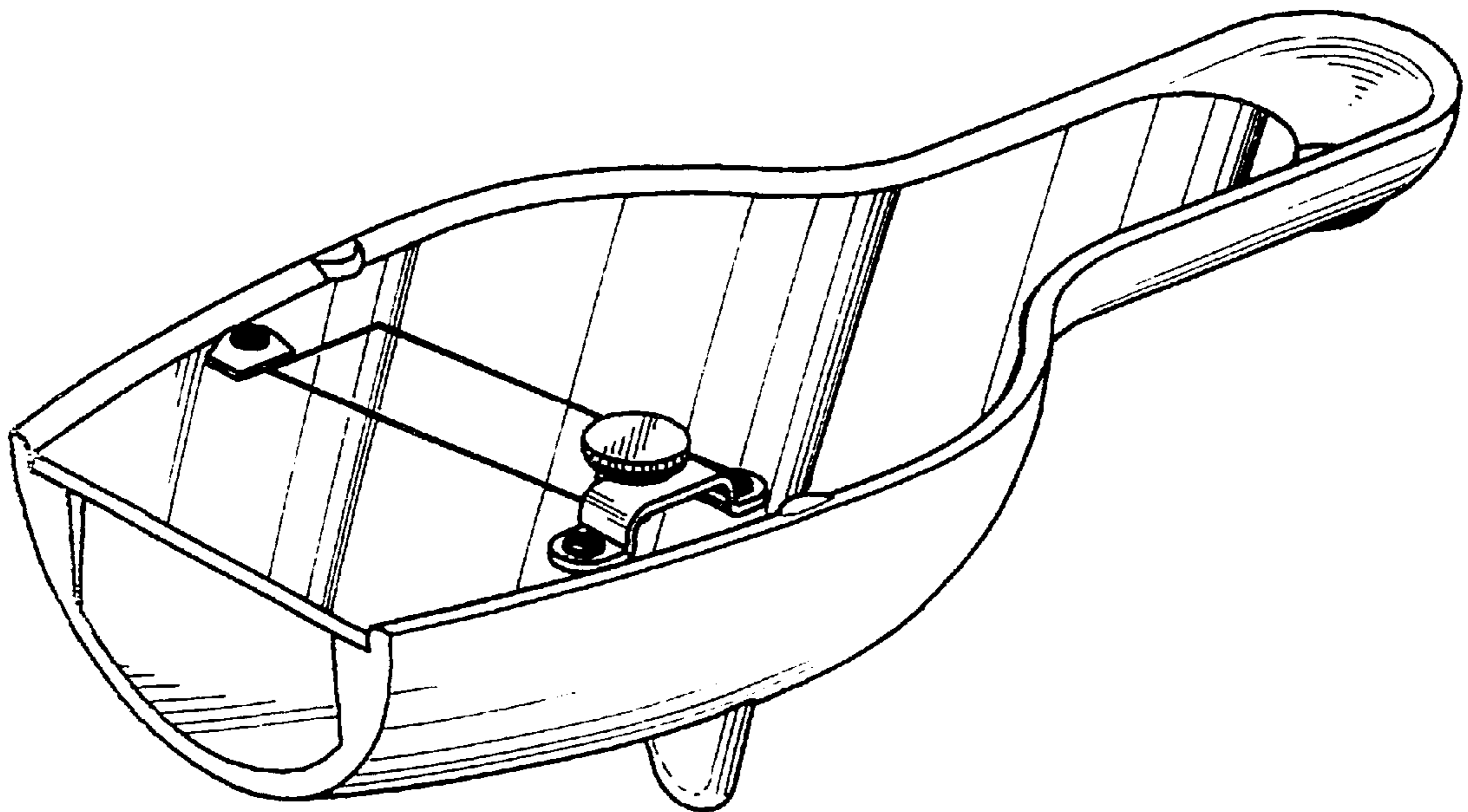


FIG. 1

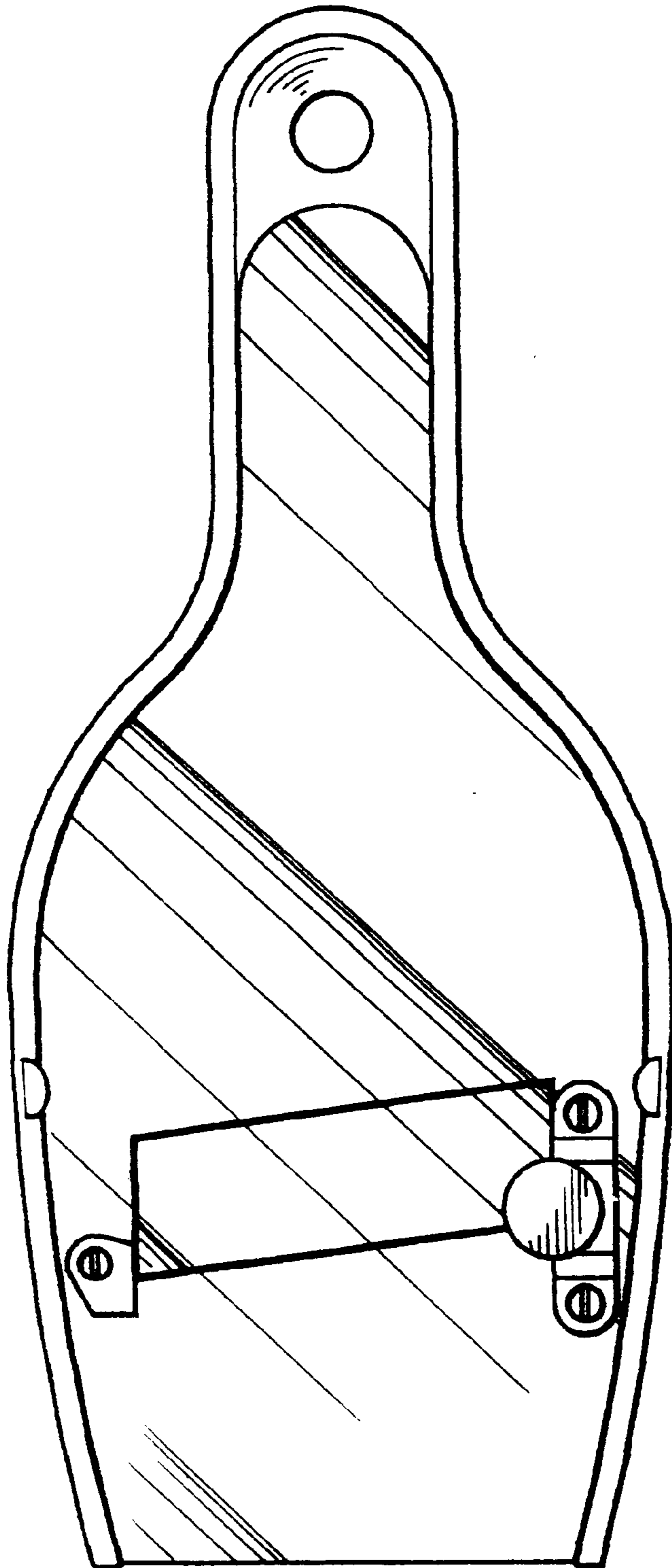


FIG. 2

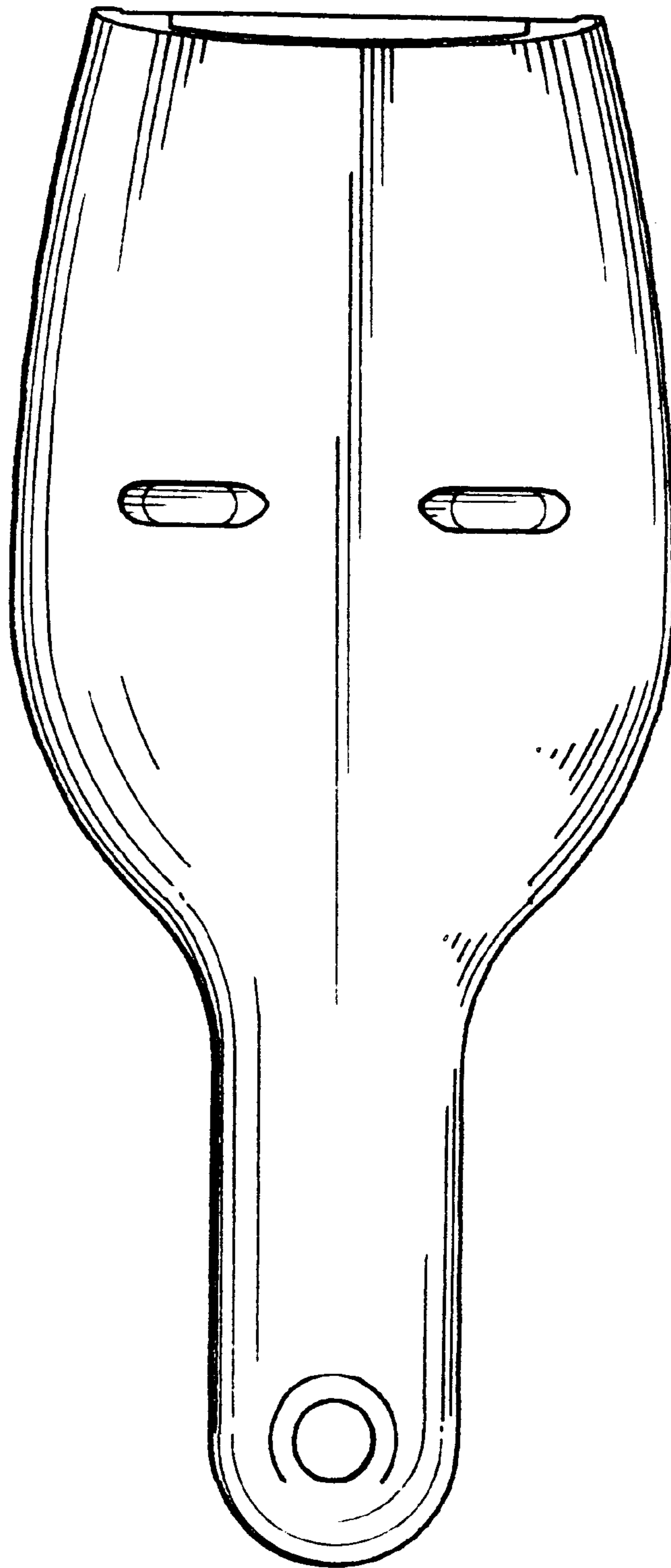


FIG. 3

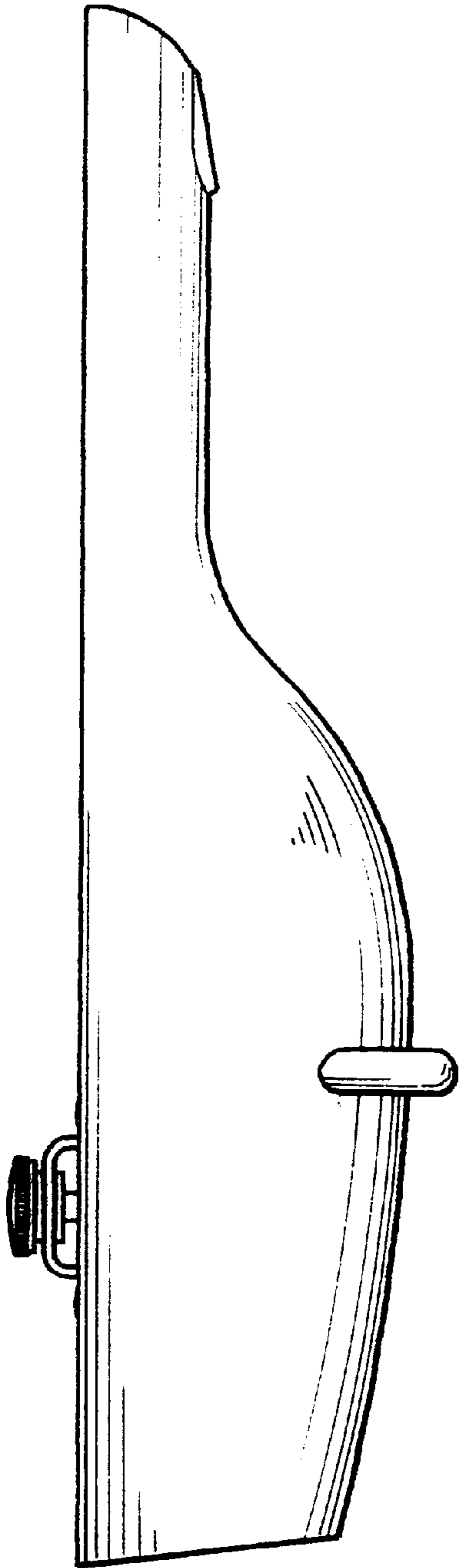


FIG. 4

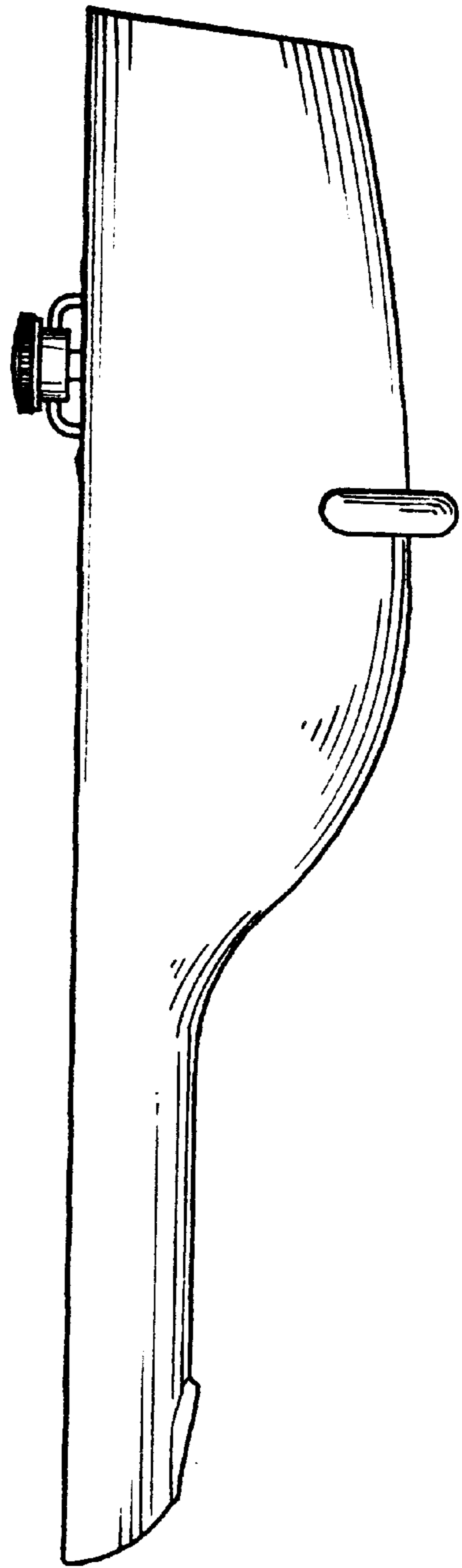


FIG. 5

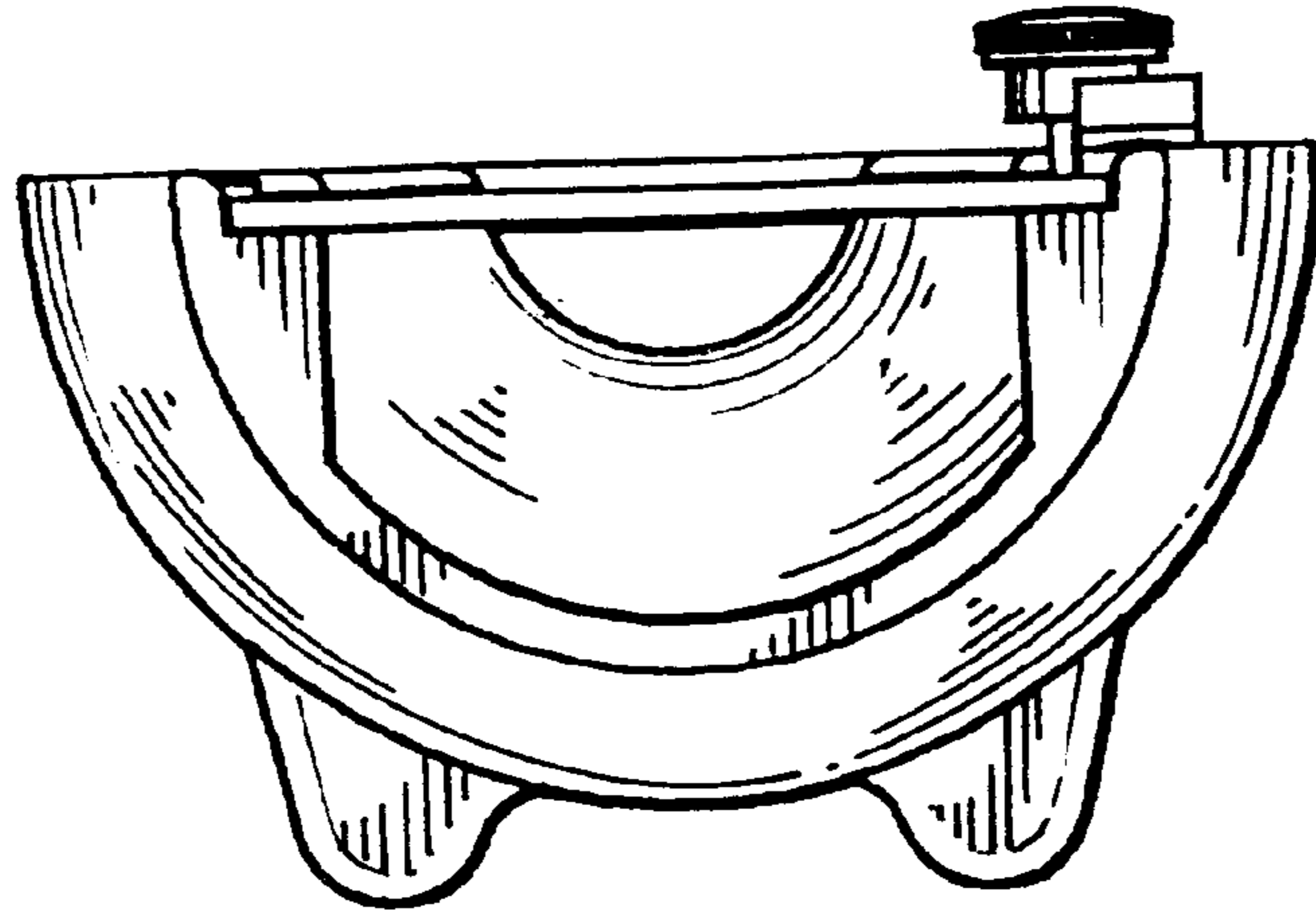


FIG. 6

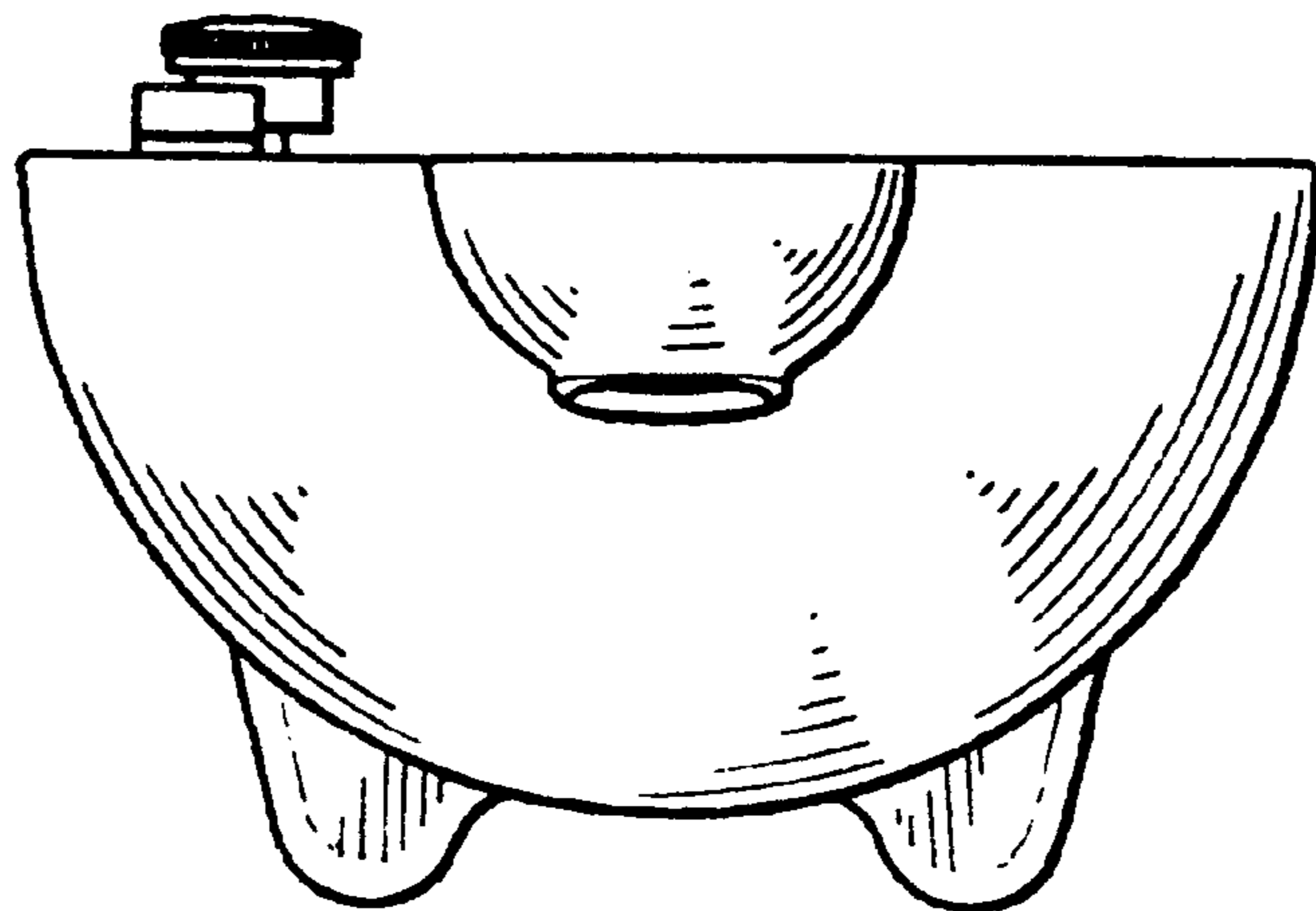


FIG. 7

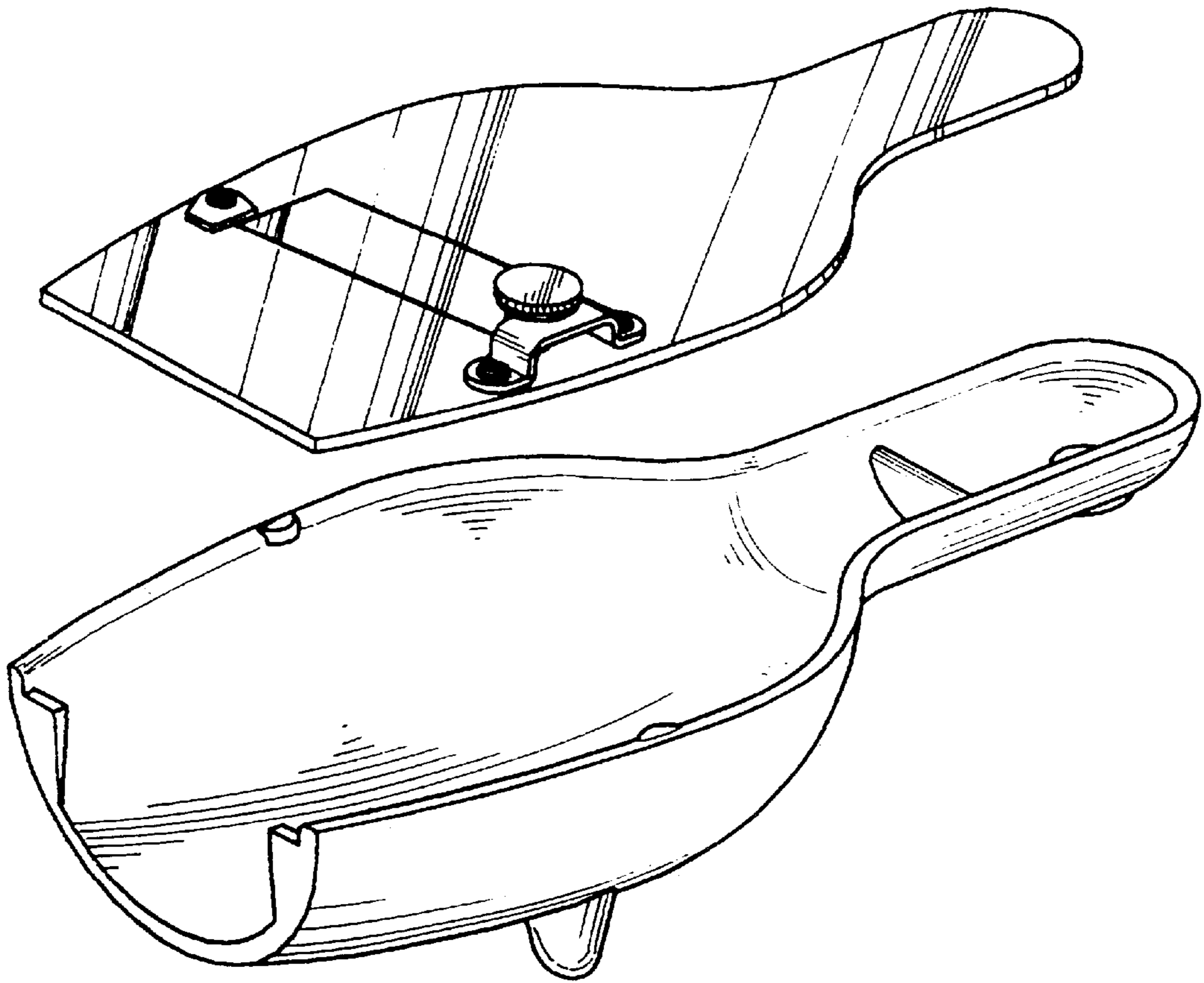


FIG. 8