



US00D467134S

(12) **United States Design Patent**  
**Margolin**

(10) **Patent No.:** **US D467,134 S**

(45) **Date of Patent:** **\*\* Dec. 17, 2002**

(54) **SEASONING INFUSER WITH TETHERED CAP**

(75) **Inventor:** **Wayne B. Margolin, Kowloon (CN)**

(73) **Assignee:** **Mr. Bar-B-Q-, Inc., Old Bethpage, NY (US)**

(\*\*) **Term:** **14 Years**

(21) **Appl. No.:** **29/164,082**

(22) **Filed:** **Jul. 17, 2002**

(51) **LOC (7) Cl.** ..... **07-04**

(52) **U.S. Cl.** ..... **D7/669**

(58) **Field of Search** ..... D7/368, 669; D9/446;  
D24/114, 115; 99/516, 532, 535, 345; 215/306;  
220/326, 375; 222/562, 543, 546, 567;  
452/146

(56) **References Cited**

**U.S. PATENT DOCUMENTS**

2,911,128 A	11/1959	Krautkramer	
3,192,555 A	7/1965	Nyden	
3,777,655 A	* 12/1973	Ainsworth	99/532
4,132,225 A	1/1979	Whattam	
5,005,717 A	4/1991	Oilar	
5,154,327 A	* 10/1992	Long	222/543 X
D350,268 S	* 9/1994	Grimm	D9/446 X
5,361,918 A	* 11/1994	Mason	215/6
5,507,221 A	* 4/1996	Lagares-Corominas	99/532

5,653,353 A	8/1997	Otto
5,944,228 A	8/1999	Gray
D440,128 S	4/2001	Zemel
6,293,226 B1	9/2001	Hwang
D449,092 S	10/2001	Brog

\* cited by examiner

*Primary Examiner*—Terry A. Wallace

(74) *Attorney, Agent, or Firm*—Natter & Natter

(57) **CLAIM**

The ornamental design for a seasoning infuser with tethered cap, as shown and described.

**DESCRIPTION**

FIG. 1 is a front elevational view of a seasoning infuser with tethered cap showing my new design; FIG. 2 is an auxiliary elevational view thereof taken substantially along the line 2—2 of FIG. 4; FIG. 3 is an auxiliary elevational view thereof taken substantially along the line 3—3 of FIG. 4; FIG. 4 is a top view thereof; and, FIG. 5 is a perspective view thereof.

The rear elevational view is a mirror image of the front elevational view.

The bottom is plain and unornamented.

The broken line showings of a ferrule, of ribs at the base of the infuser, of an upper tier of the cap and of a bottle, form no part of the claimed design.

**1 Claim, 2 Drawing Sheets**

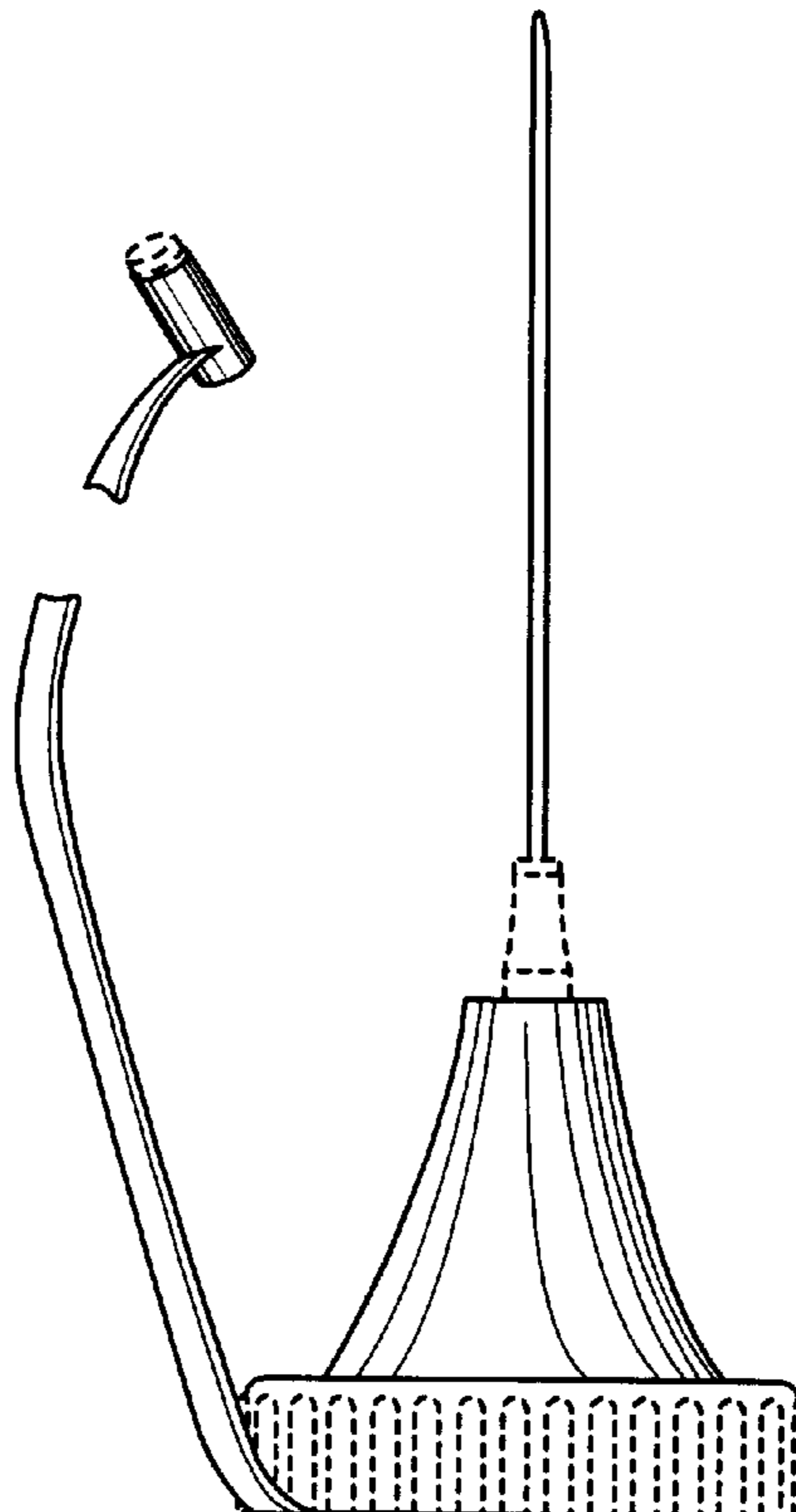


Fig. 1

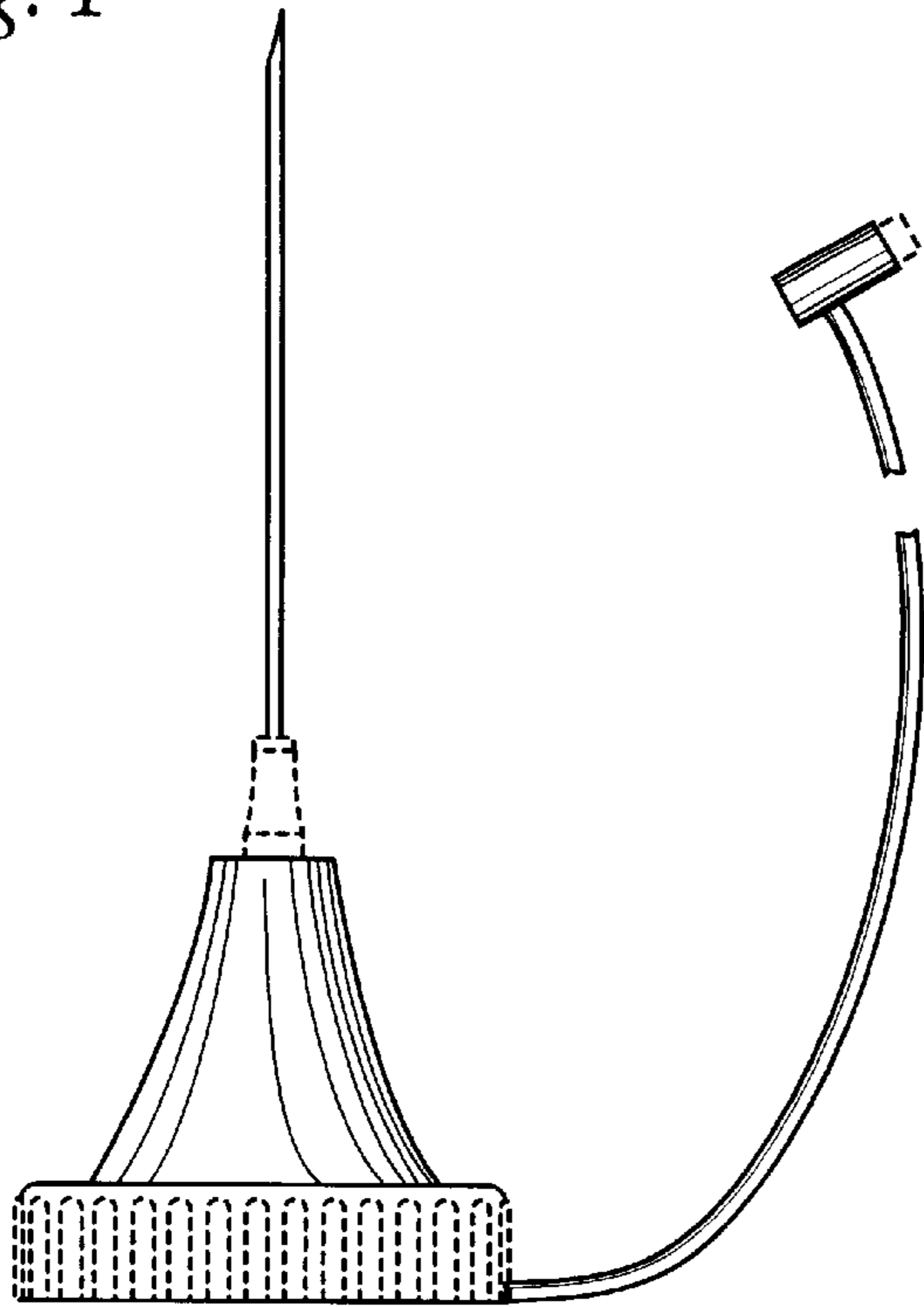


Fig. 2

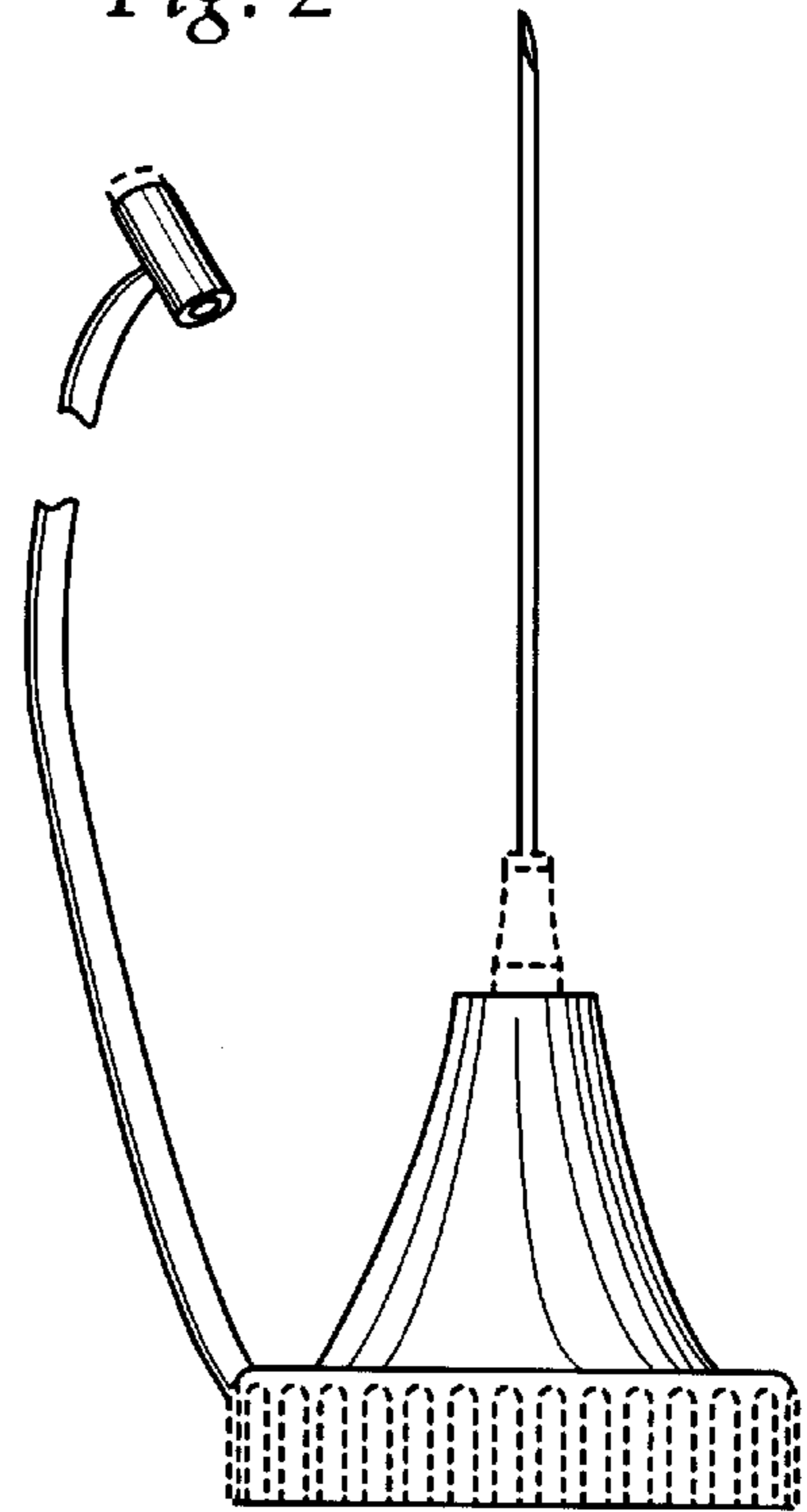


Fig. 3

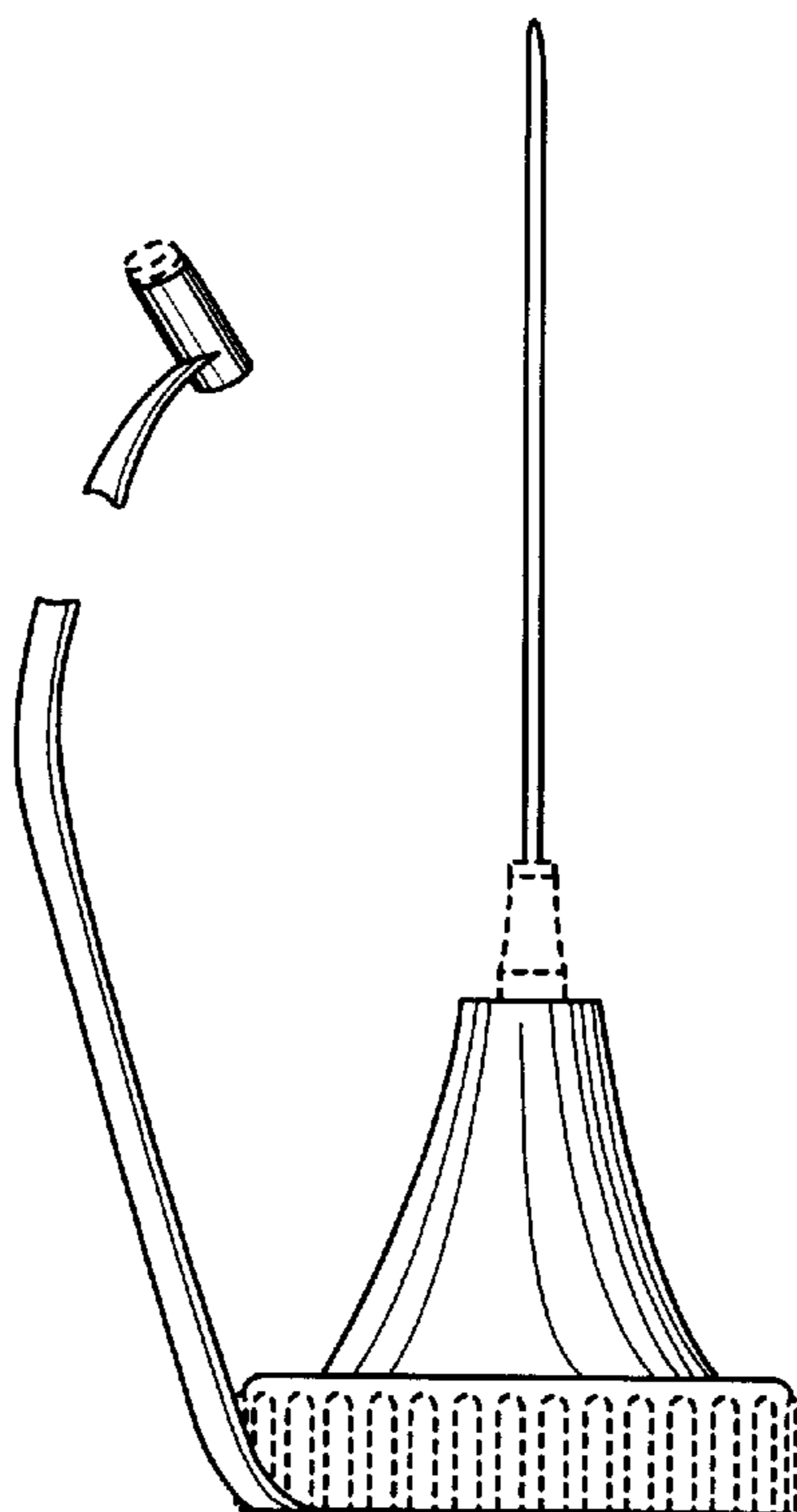


Fig. 4

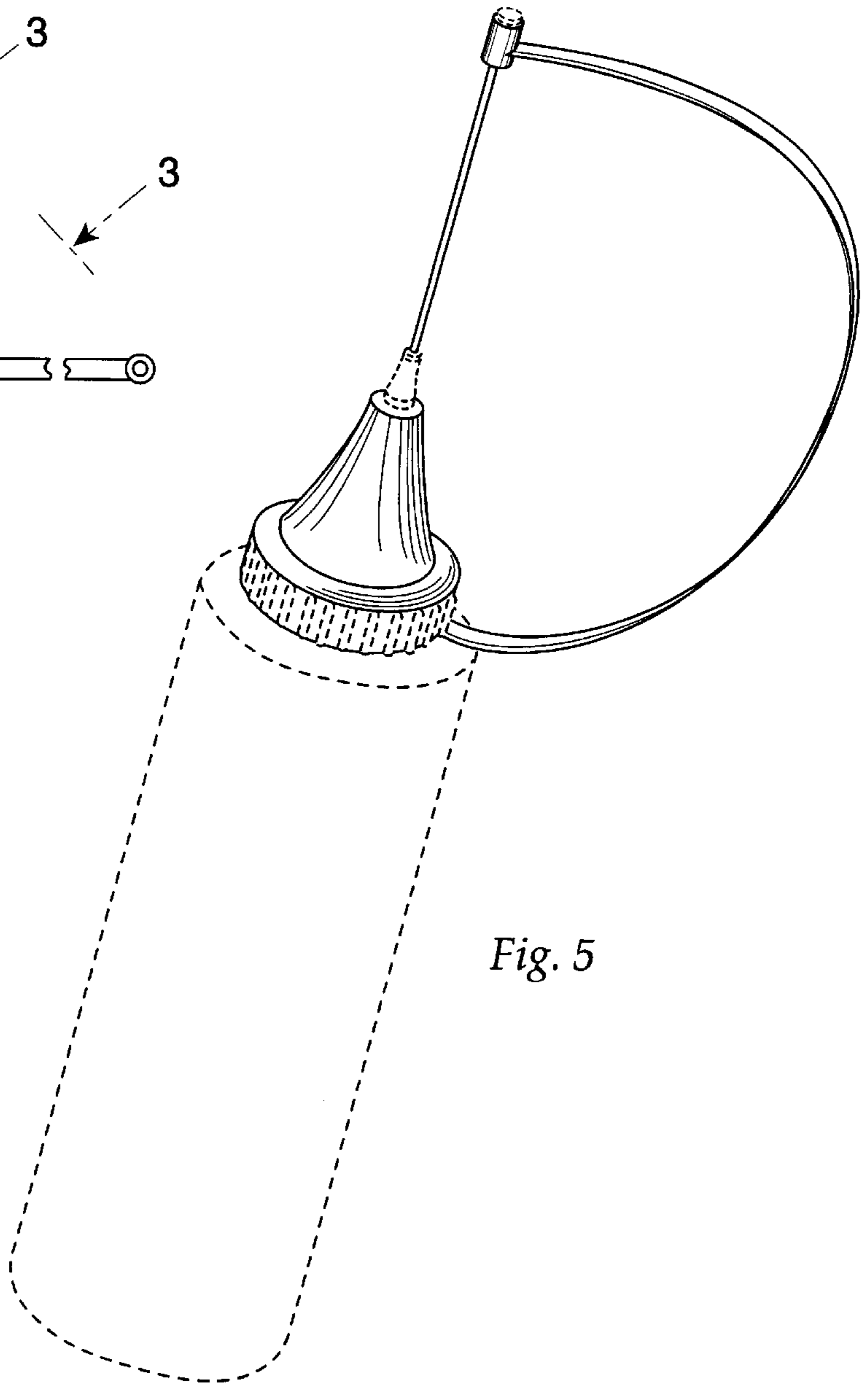
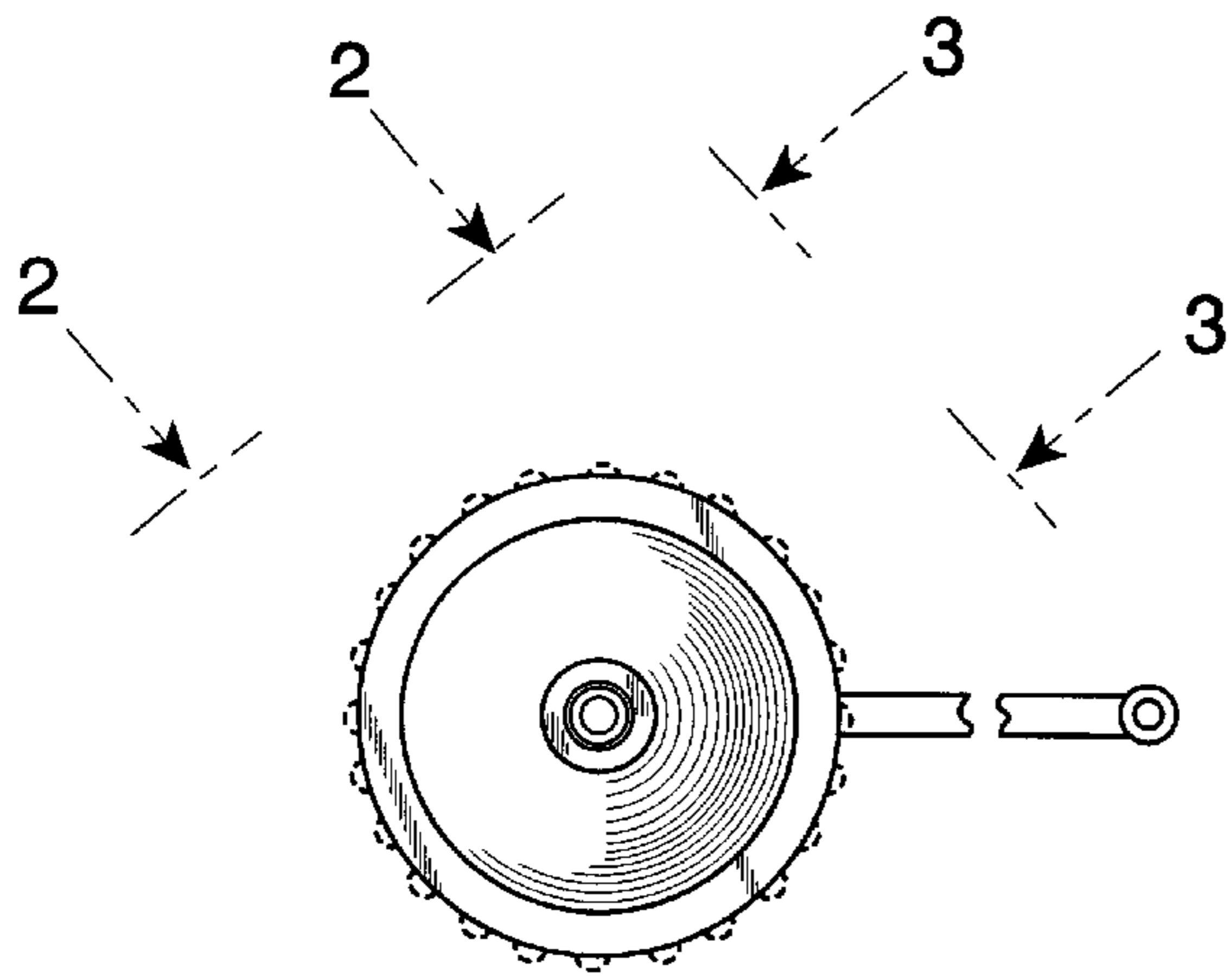


Fig. 5