



US00D467124S

(12) **United States Design Patent**
Janky

(10) **Patent No.:** **US D467,124 S**

(45) **Date of Patent:** **** Dec. 17, 2002**

- (54) **TRAVELLER MUG**
- (75) Inventor: **Gregory T. Janky**, Sammamish, WA (US)
- (73) Assignee: **Pacific Market, Inc.**, Seattle, WA (US)
- (**) Term: **14 Years**
- (21) Appl. No.: **29/144,298**
- (22) Filed: **Jun. 29, 2001**
- (51) **LOC (7) Cl.** **07-01**
- (52) **U.S. Cl.** **D7/533; D7/510; D7/511**
- (58) **Field of Search** D7/509, 510, 511, D7/533, 536, 532, 523; 220/710.5, 603, 703, 711; 215/396, 398; 229/403

- D454,756 S * 3/2002 Janky et al. D7/510
- D457,035 S * 5/2002 Hurlbut D7/510
- D457,395 S * 5/2002 Gluck D7/510
- D457,396 S * 5/2002 Janky et al. D7/510
- D458,082 S * 6/2002 Gluck D7/510

OTHER PUBLICATIONS

- The Thermos Company, Travel Mug JMD 500, magazine, USA.
- Contemporary Classics, The Traveler Car Mug, catalog, USA.
- Contemporary Classics, Mobile Mug, catalog, USA.
- Contemporary Classics, 1996 Centennial Olympic Collection, catalog, USA.
- The Thermos Company, Vacuum Insulated Mug JMJ 180/JMJ 350, magazine, USA.
- Highwave Incorporated, Highwave Designs for '95, catalog, USA.
- Pacific Market, Inc., (design sold at least as early as 1996).
- Pacific Market, Inc., (design sold at least as early as 1996).
- Pacific Market, Inc., (design sold at least as early as 1995).
- Pacific Market, Inc., (design sold at least as early as 1996).

(56) **References Cited**

U.S. PATENT DOCUMENTS

- D170,409 S 9/1953 Hare
- D231,068 S 4/1974 Douglas
- 4,151,923 A 5/1979 Bernardi
- D366,810 S 2/1996 Yeh
- D384,860 S 10/1997 Trombly
- D386,948 S 12/1997 Wissinger
- D387,620 S 12/1997 Trombly
- D396,777 S 8/1998 Inoue
- D398,187 S 9/1998 Parker
- D398,815 S 9/1998 Hatsumoto et al.
- D406,011 S 2/1999 Hasumoto et al.
- D412,088 S 7/1999 Otake
- D418,013 S 12/1999 Fujii
- D420,254 S 2/2000 Park
- D422,842 S 4/2000 Freed
- D424,878 S * 5/2000 Freed D7/533
- D425,758 S * 5/2000 Freed D7/533
- D426,109 S * 6/2000 Freed D7/533
- D429,959 S * 8/2000 Otake D7/510
- D431,159 S * 9/2000 Otake D7/510
- D434,275 S * 11/2000 Ginuntoli et al. D7/533
- D437,185 S 2/2001 Freed
- D439,473 S * 3/2001 Lin D7/510

* cited by examiner

Primary Examiner—M. N. Pandozzi

(74) *Attorney, Agent, or Firm*—Seed IP Law Group PLLC

(57) **CLAIM**

The ornamental design for a traveler mug, as shown and described.

DESCRIPTION

- FIG. 1 is a top right perspective view of a traveler mug showing my new design.
- FIG. 2 is a front elevational view of the design.
- FIG. 3 is a right side elevational view of the design.
- FIG. 4 is a left side elevational view of the design.
- FIG. 5 is a rear elevational view of the design.
- FIG. 6 is a top plan view of the design; and,
- FIG. 7 is a bottom plan view of the design.

1 Claim, 3 Drawing Sheets



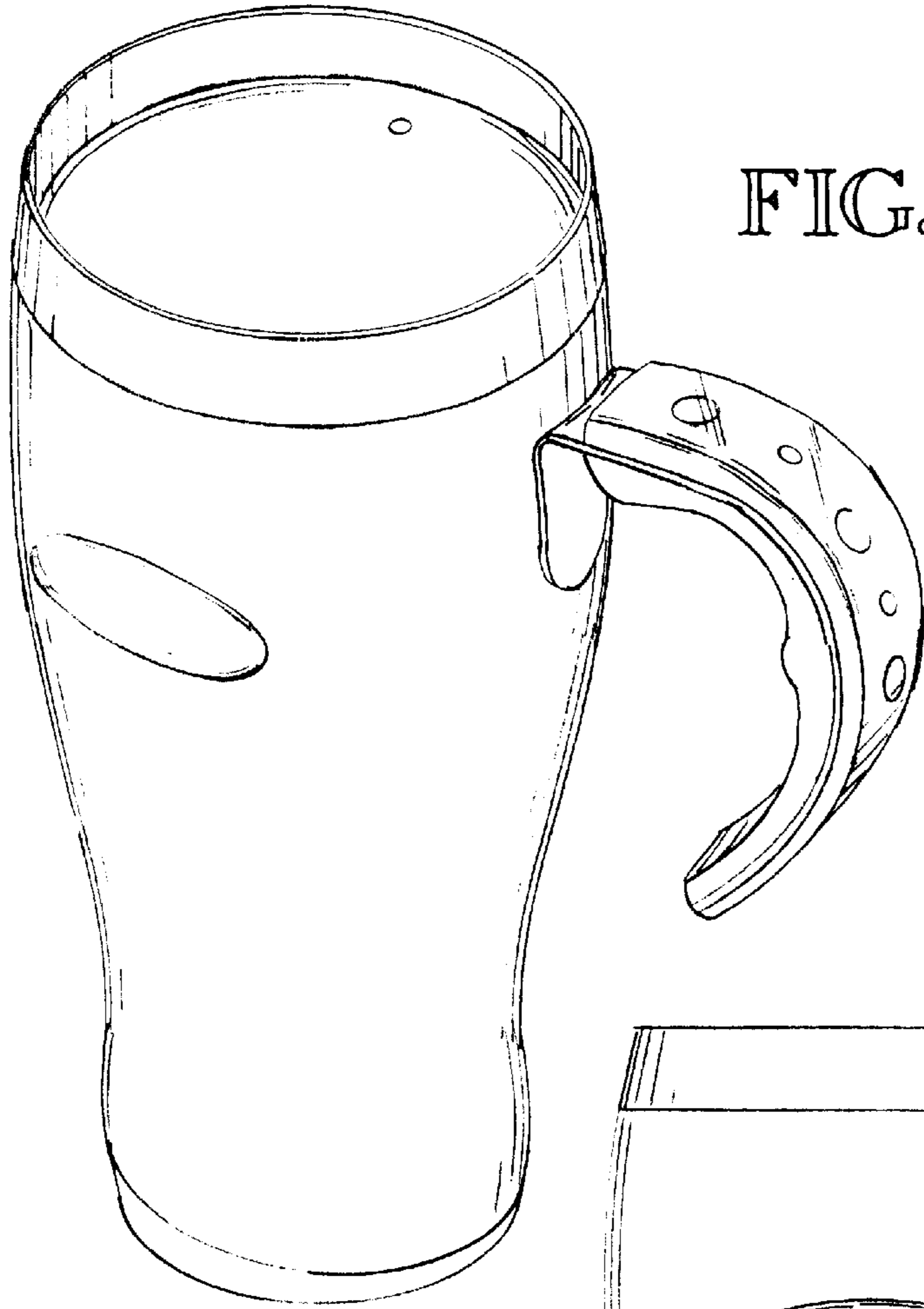
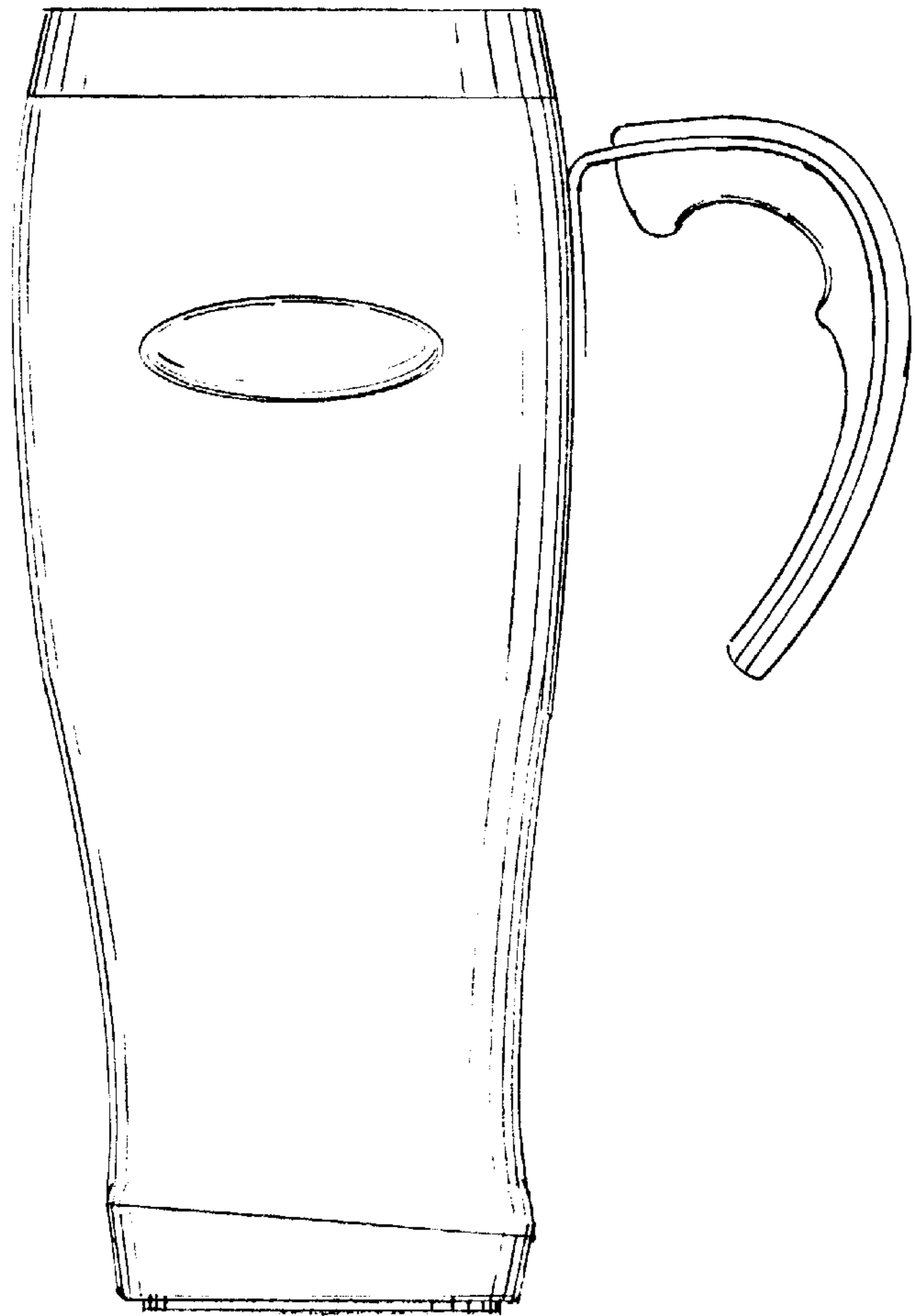


FIG. 1

FIG. 2



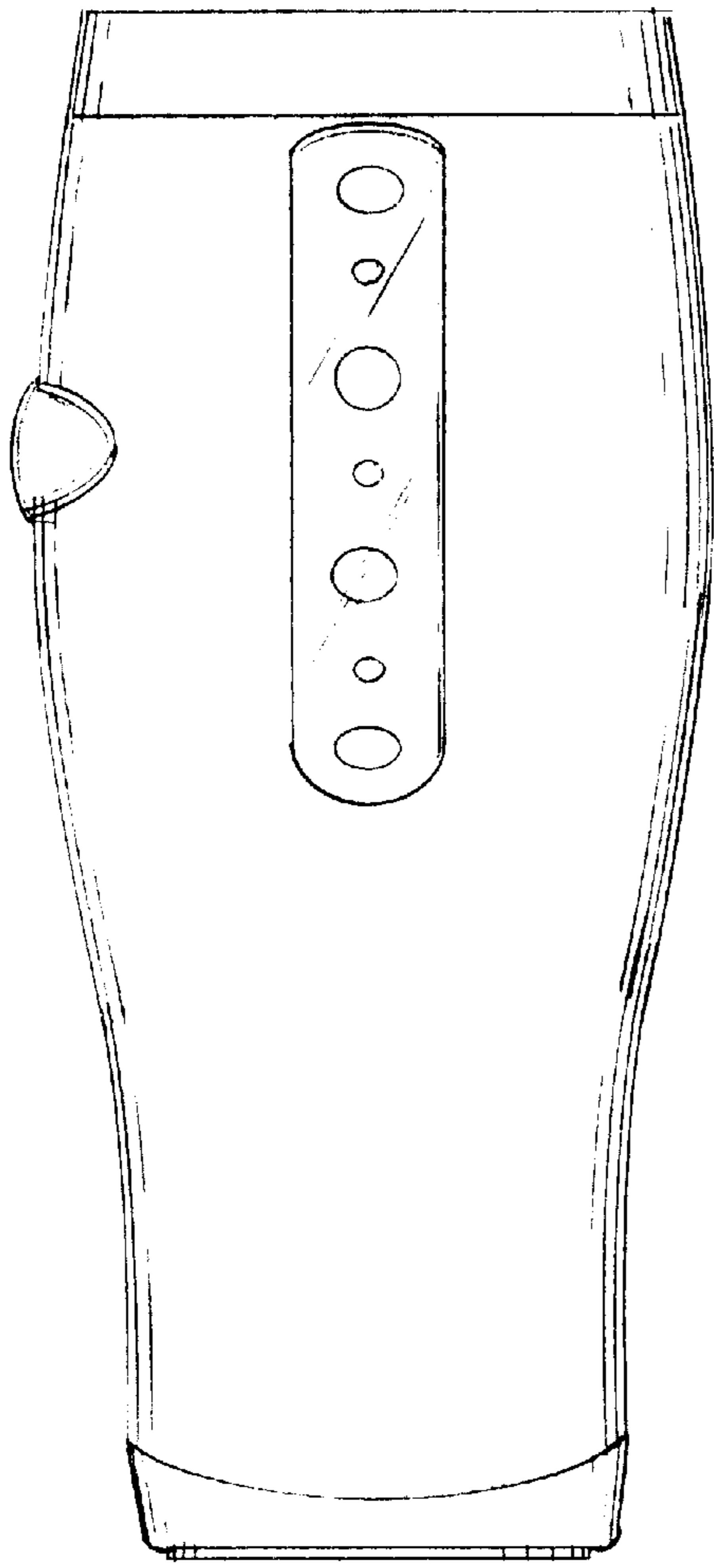


FIG. 3

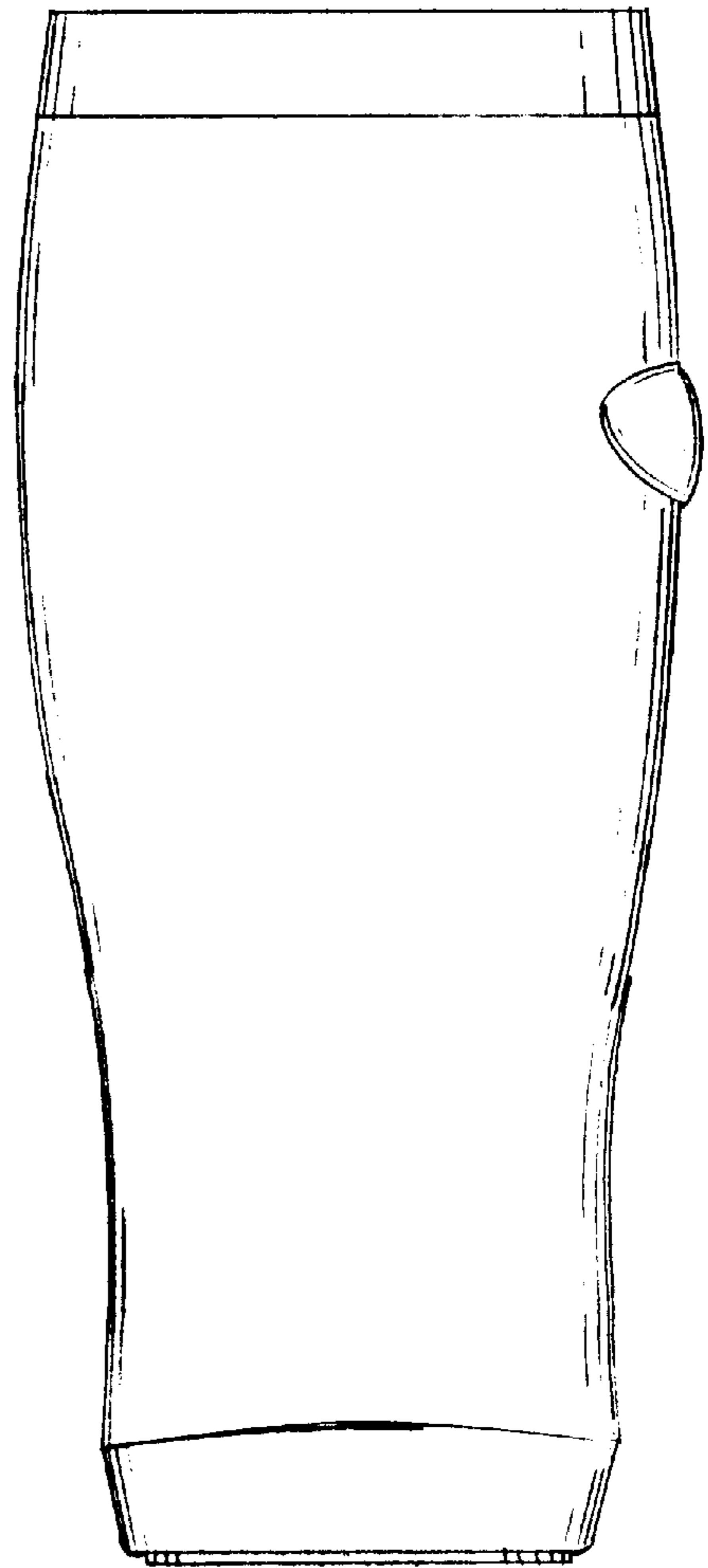


FIG. 4

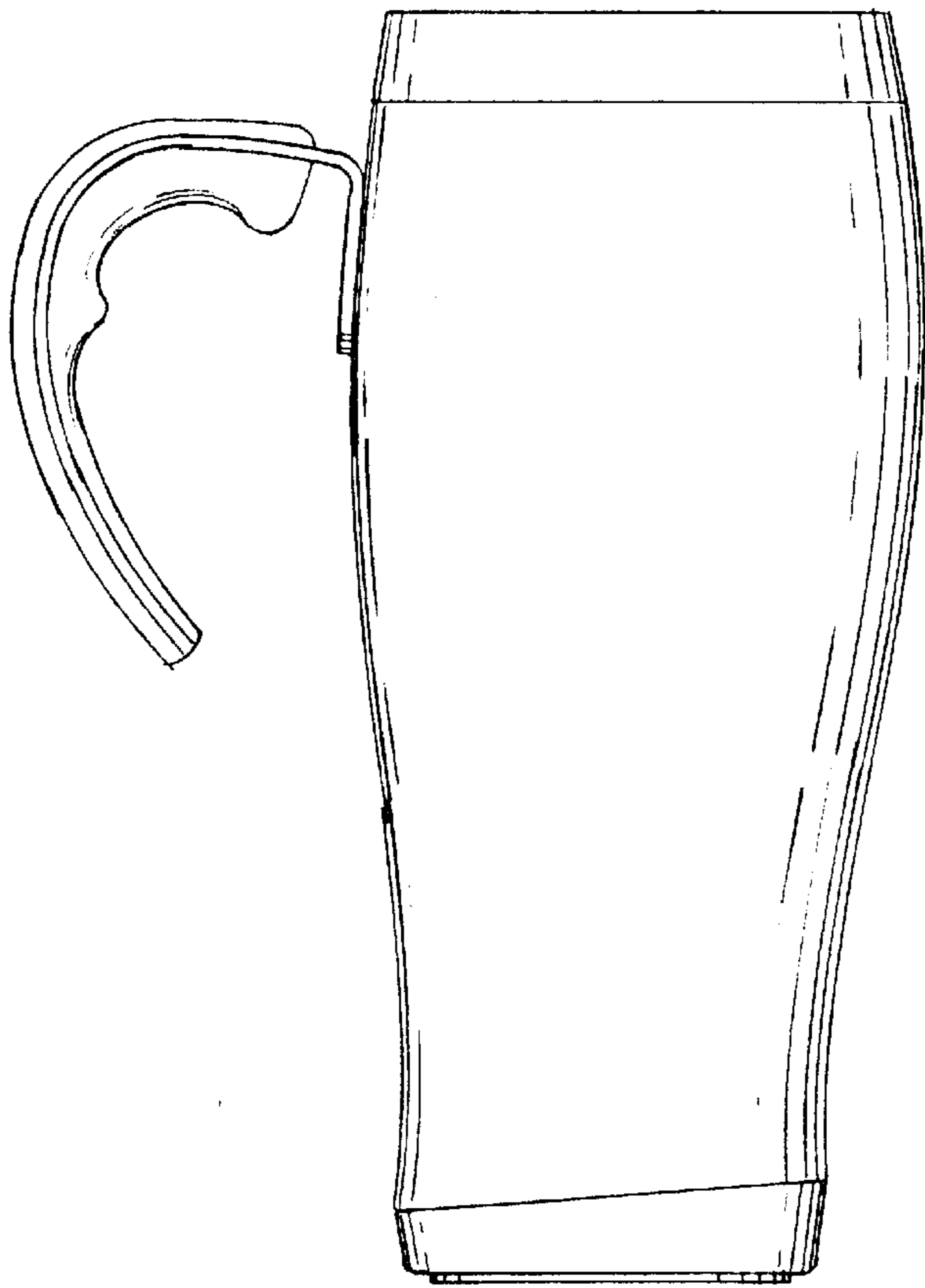


FIG. 5

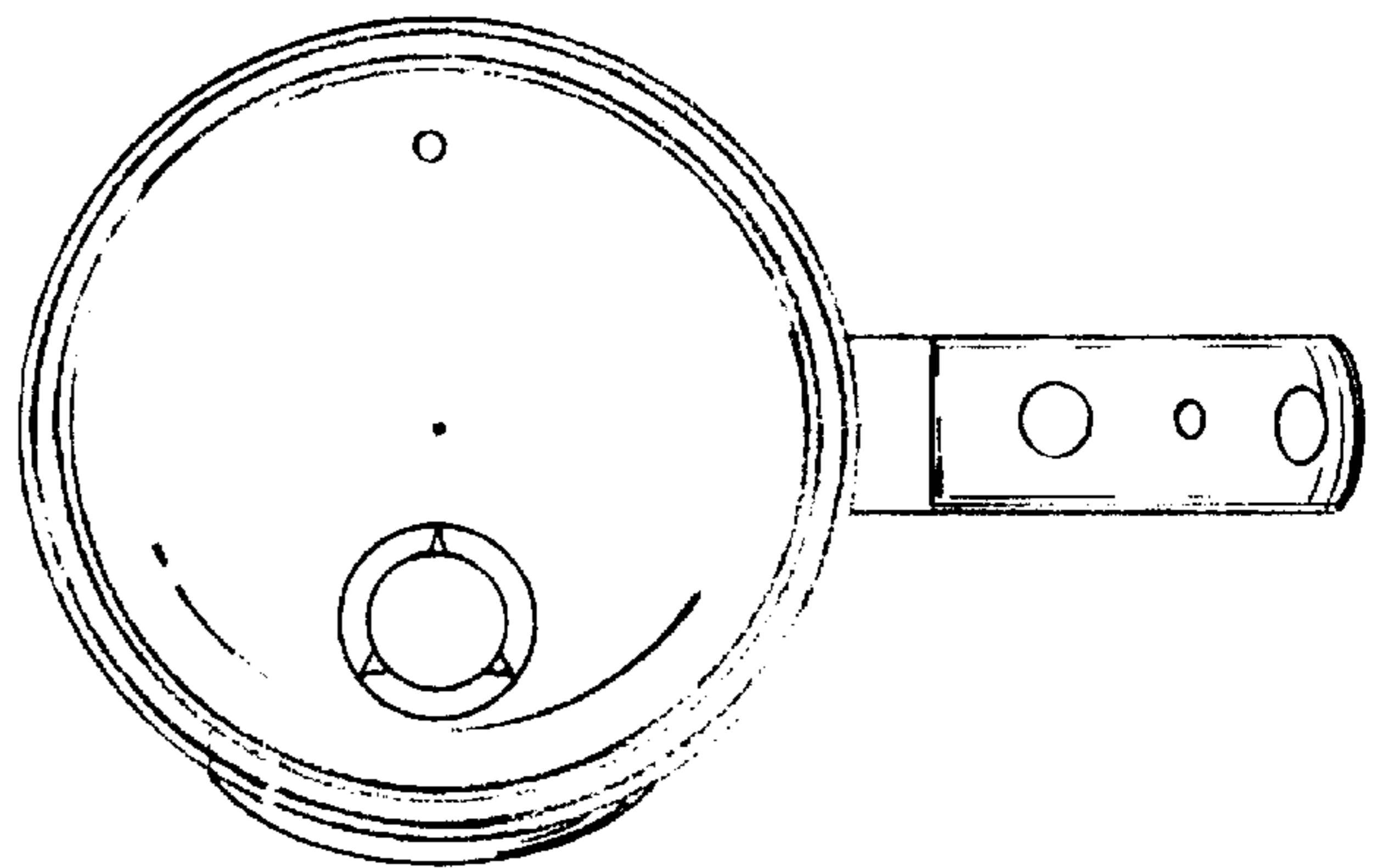


FIG. 6

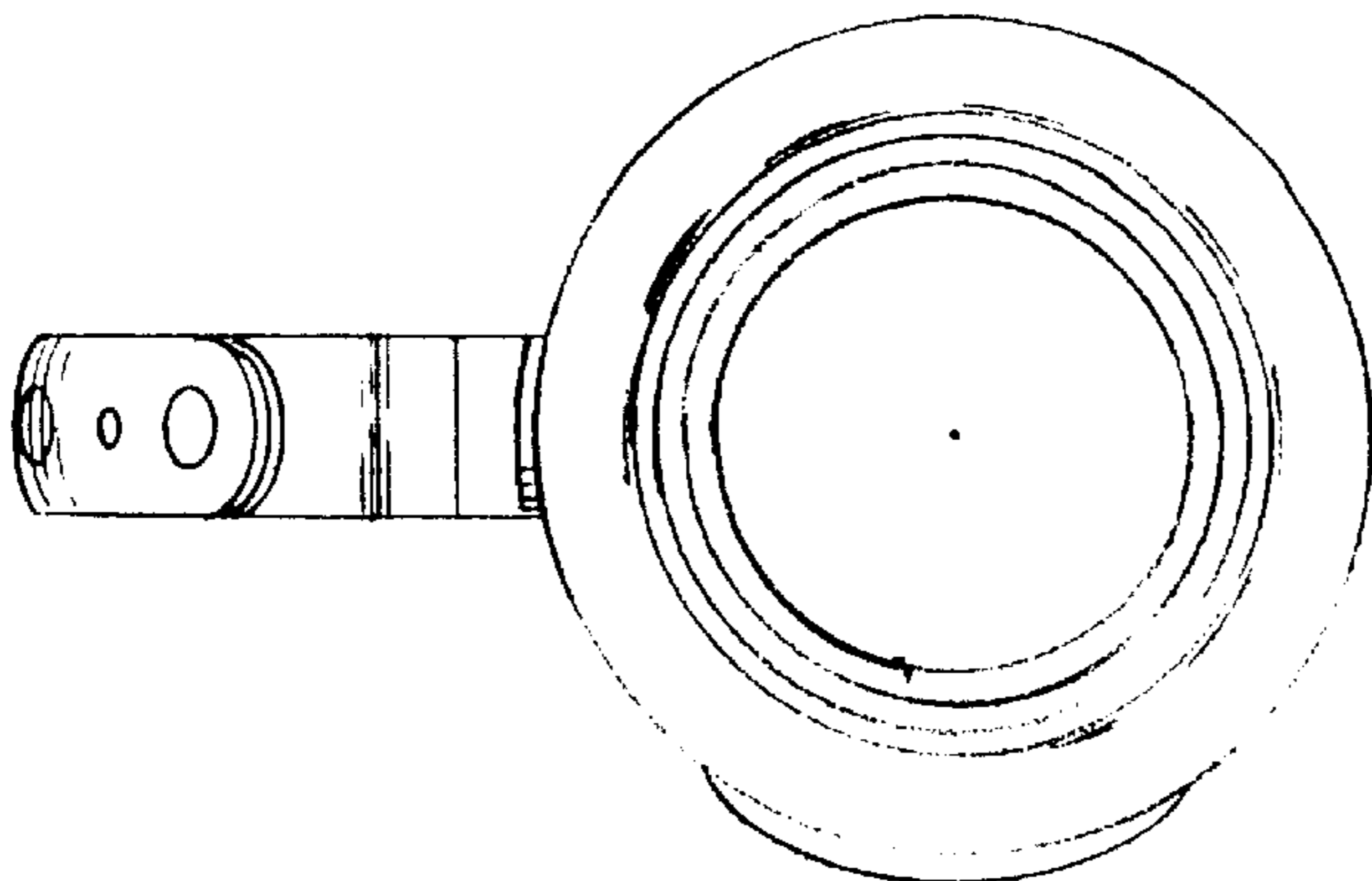


FIG. 7