



US00D467118S

(12) **United States Design Patent**
McClure et al.

(10) **Patent No.:** **US D467,118 S**
(45) **Date of Patent:** **** Dec. 17, 2002**

(54) **CONTOURED SURFACE OF A MATTRESS PAD**

(75) Inventors: **Ted McClure**, Richmond, VA (US);
Robert J. Rose, Chesterfield, VA (US);
Steve D. Hawkins, Midlothian, VA (US)

(73) Assignee: **Carpenter Co.**, Richmond, VA (US)

(**) Term: **14 Years**

(21) Appl. No.: **29/154,914**

(22) Filed: **Feb. 4, 2002**

Related U.S. Application Data

(62) Division of application No. 29/139,373, filed on Mar. 20, 2001.

(51) **LOC (7) Cl.** **06-09**

(52) **U.S. Cl.** **D6/596**

(58) **Field of Search** D6/595, 596, 597, D6/599, 601, 602, 603, 604, 605, 606, 608; D8/403; 5/417, 418, 419, 420, 485, 486, 495, 499, 630, 631, 632, 633, 636, 637, 638, 639, 640, 641, 644, 645, 646, 648, 650, 651, 652, 652.1, 653, 654, 655, 655.3, 655.4, 655.9, 656, 657, 657.5, 663, 688, 690, 706, 710, 717, 718, 727, 731, 733, 736, 737, 739; 15/208, 209.1, 210.1

(56) **References Cited**

U.S. PATENT DOCUMENTS

4,070,719 A	1/1978	Morgan
4,603,445 A	8/1986	Spann
4,809,374 A	3/1989	Saviez
5,111,542 A	5/1992	Farley
D329,566 S	9/1992	Davidson, Jr.
D339,018 S	9/1993	Main

5,252,278 A	10/1993	Spann et al.
D355,322 S	2/1995	Ackley et al.
D365,956 S	1/1996	Bonaddio et al.
D366,175 S	1/1996	Bonaddio et al.
D381,543 S	7/1997	Farley
D391,434 S	3/1998	Denney et al.
D394,578 S	5/1998	Raburn
D395,780 S	7/1998	Denney et al.
D414,065 S	9/1999	Henson
D416,739 S	11/1999	Denney et al.
D416,740 S	11/1999	Denney et al.
D417,355 S	12/1999	Denney et al.
D419,356 S	1/2000	Denney et al.
D421,358 S	3/2000	Henson
D433,861 S	11/2000	Rose et al.
6,216,299 B1 *	4/2001	Kohlman 5/654
D446,071 S	8/2001	Hawkins et al.
D449,170 S *	10/2001	Kim D6/601
6,317,912 B1 *	11/2001	Graebe et al. 5/710

* cited by examiner

Primary Examiner—Doris V. Coles

Assistant Examiner—T. Chase Nelson

(74) *Attorney, Agent, or Firm*—Smith, Gambrell & Russell, LLP

(57) **CLAIM**

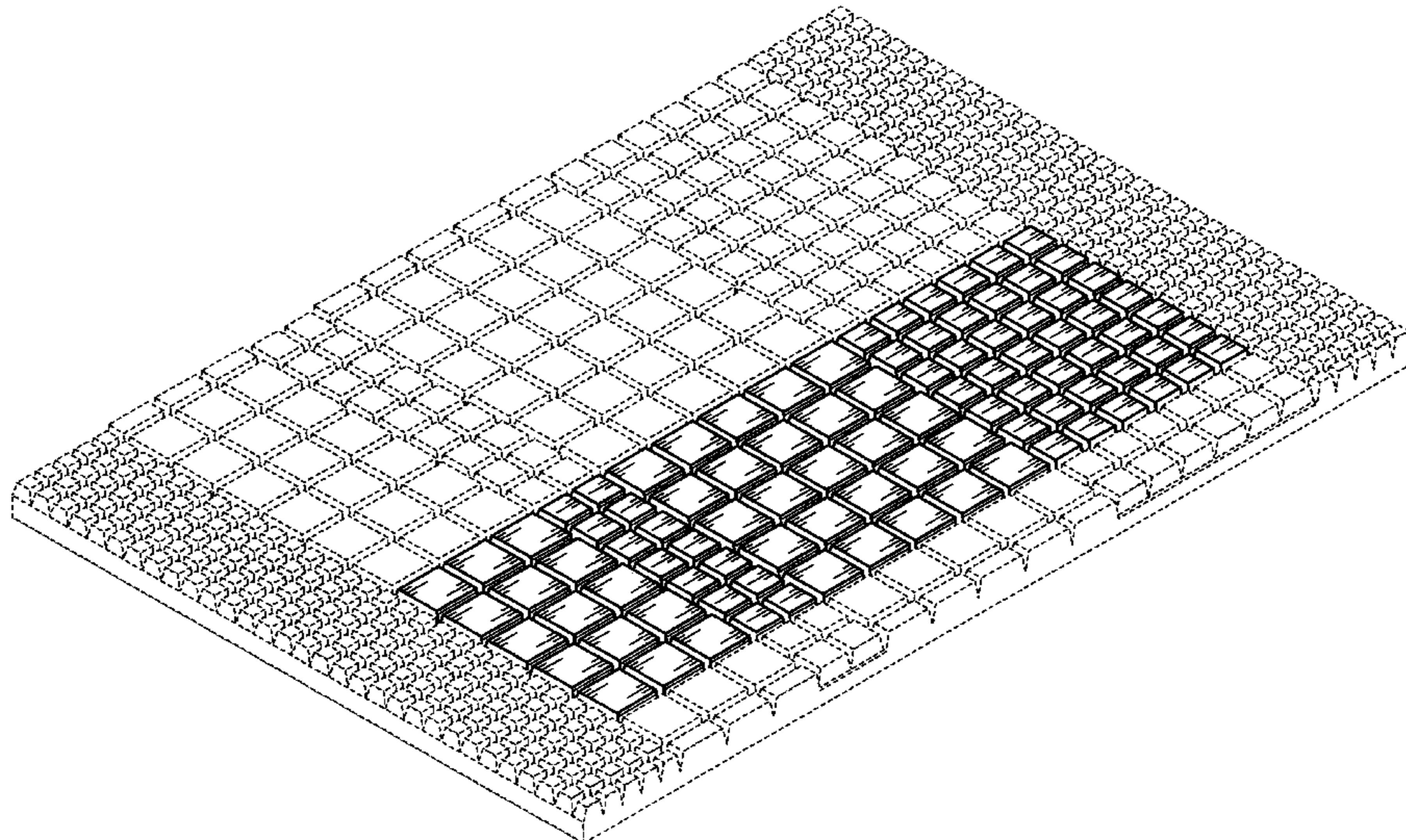
The ornamental design for a contoured surface of a mattress pad, as shown and described.

DESCRIPTION

FIG. 1 is a perspective view of a contoured surface of a mattress pad of the present invention; FIG. 2 is a plan view thereof; and, FIG. 3 shows a cross-section view thereof taken along cross-sectional line 3 and 3 in FIG. 2 with a body of a pad shown there below.

The broken lines in FIGS. 1-3 are shown for illustrative purpose only and form no part of the claimed design.

1 Claim, 3 Drawing Sheets



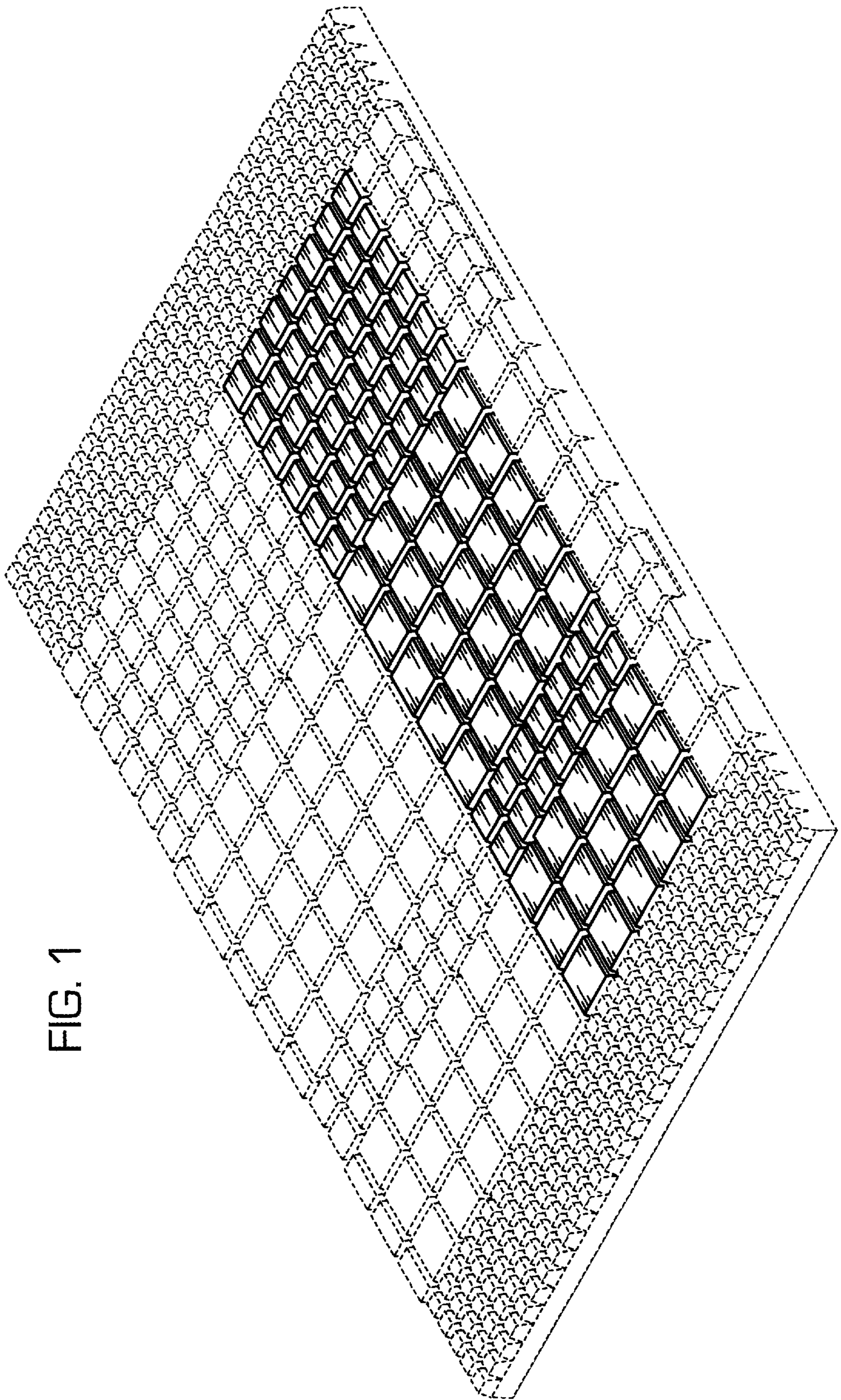


FIG. 1

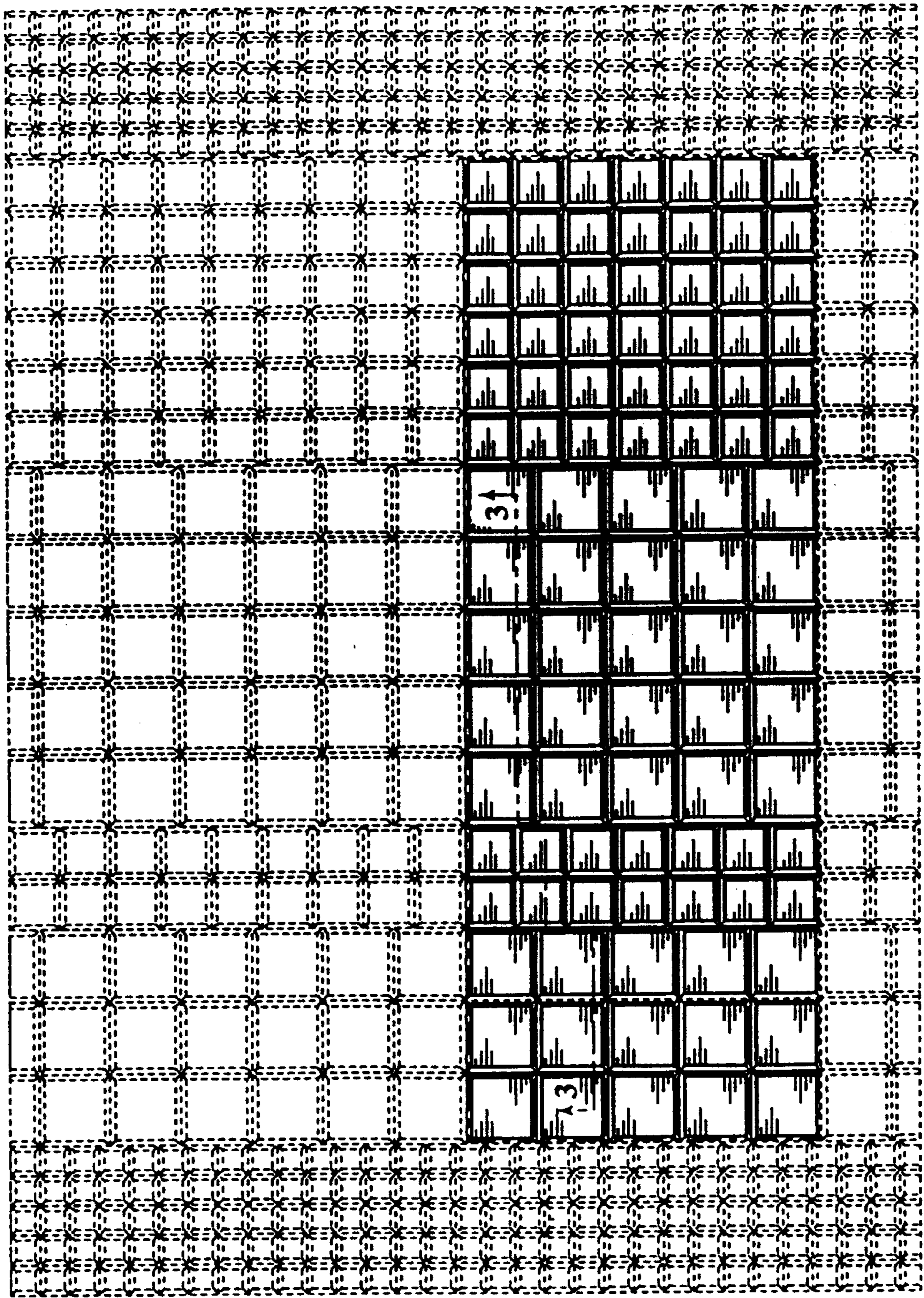


FIG. 2

FIG. 3

