



US00D467114S

(12) **United States Design Patent**
Shea

(10) **Patent No.:** **US D467,114 S**
(45) **Date of Patent:** **** Dec. 17, 2002**

(54) **SWING STRIP DISPLAY**

(76) Inventor: **Thomas M. Shea**, 984 Livernois, Troy, MI (US) 48083

(**) Term: **14 Years**

(21) Appl. No.: **29/153,749**

(22) Filed: **Jan. 10, 2002**

Related U.S. Application Data

(60) Division of application No. 29/128,427, filed on Aug. 24, 2000, which is a continuation-in-part of application No. 09/280,285, filed on Mar. 29, 1999, now Pat. No. 6,202,866, which is a continuation-in-part of application No. 09/225,671, filed on Jan. 5, 1999, now Pat. No. 6,070,747, and a continuation-in-part of application No. 08/888,558, filed on Jul. 7, 1997, now Pat. No. 5,957,422.

(51) **LOC (7) Cl.** **06-04**

(52) **U.S. Cl.** **D6/566**

(58) **Field of Search** D6/552, 553, 567, D6/566, 513, 514, 512; 211/87.01, 86.01, 57.1, 59.1, 103, 105.3, 105.1, 113, 181.1, 182; 248/251, 302, 309.1, 309.2, 317

(56) **References Cited**

U.S. PATENT DOCUMENTS

251,351 A	12/1881	Ham	
431,110 A	7/1890	Driver	
2,020,991 A	11/1935	Brody	
2,935,210 A	5/1960	Cohen	
3,018,898 A	1/1962	Frazelle	
3,087,624 A	4/1963	Hucker	
3,200,960 A	8/1965	Banse	
3,221,893 A	12/1965	Glaberson et al.	
3,513,606 A	5/1970	Jones	
3,677,415 A	* 7/1972	Radek	248/251
3,935,357 A	1/1976	Padovani	
4,159,814 A	7/1979	Fibus	
4,181,230 A	1/1980	Acuff	
4,286,006 A	8/1981	Boelter	
4,340,144 A	7/1982	Cousins	
4,461,443 A	7/1984	Dauman	
4,629,075 A	12/1986	Hutten	

4,697,712 A	10/1987	Valiulis	
4,718,627 A	1/1988	Fast et al.	
4,720,016 A	1/1988	Kay	
4,767,012 A	8/1988	Simmons	
4,770,303 A	9/1988	Boyd	
4,911,392 A	3/1990	Fast	
4,919,280 A	4/1990	Phillips	
D320,719 S	10/1991	Kolsrud et al.	
5,090,725 A	2/1992	Feldner	
5,096,070 A	* 3/1992	Jaynes	211/113 X
5,104,269 A	4/1992	Hardison	
D327,187 S	6/1992	Swon	
5,269,408 A	12/1993	Otis et al.	
5,284,259 A	2/1994	Conway et al.	
5,370,249 A	12/1994	Harvey et al.	
5,386,916 A	* 2/1995	Valiulis	211/113
5,405,022 A	4/1995	Rissley	
5,415,370 A	5/1995	Valiulis	

(List continued on next page.)

Primary Examiner—Brian N. Vinson
(74) *Attorney, Agent, or Firm*—Gifford, Krass, Groh, Sprinkle, Anderson & Citkowski, P.C.

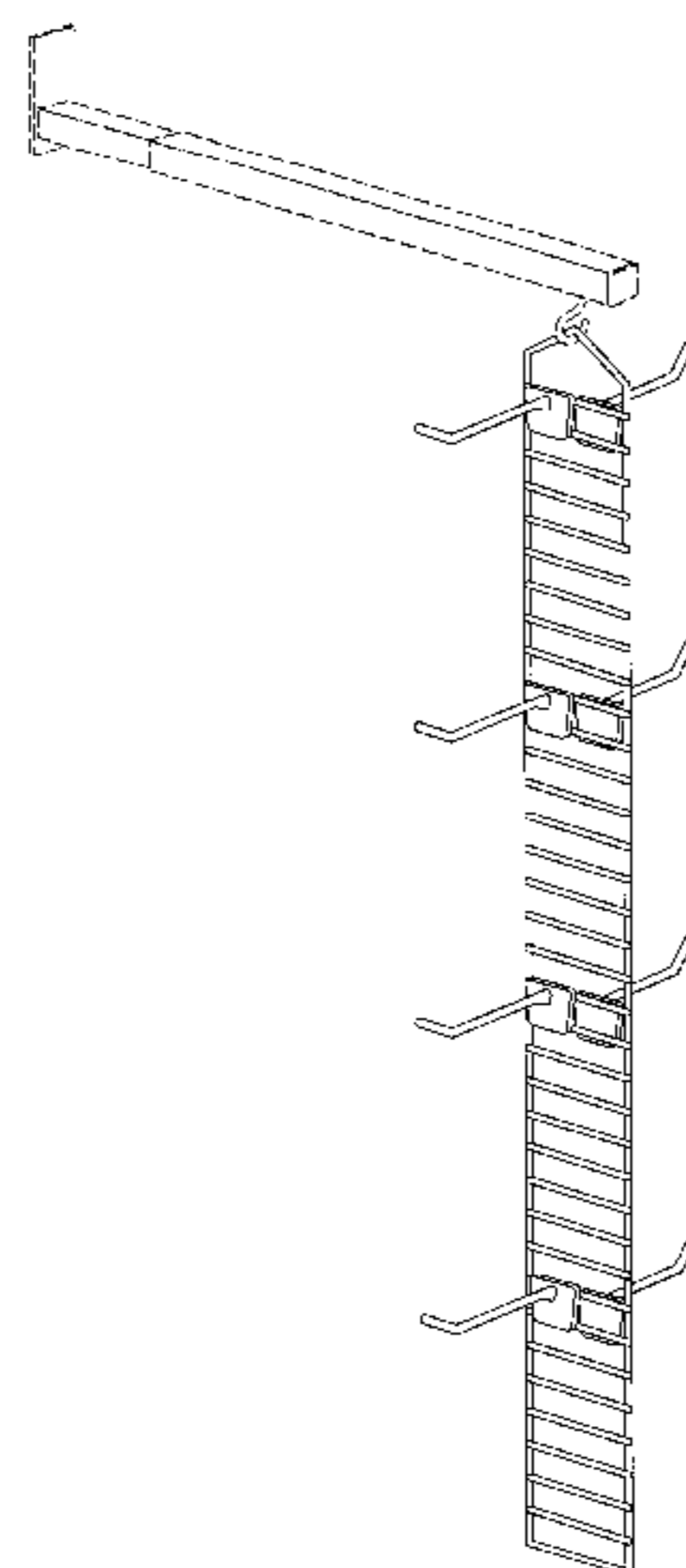
(57) **CLAIM**

I claim the ornamental design for a swing strip display, as shown and described.

DESCRIPTION

FIG. 1 is a perspective view of a swing strip display showing my new design, the broken-line disclosure of an arm in the view is for illustrative purposes only and forms no part of the claimed design;
FIG. 2 is a left side view forming a part of the present design of FIG. 1;
FIG. 3 is a front view forming a part of the present design;
FIG. 4 is a right side view forming a part of the present design;
FIG. 5 is a rear side view forming a part of the present design;
FIG. 6 is a bottom view forming a part of the present design; and,
FIG. 7 is a top view forming a part of the present design.

1 Claim, 2 Drawing Sheets



US D467,114 S

Page 2

U.S. PATENT DOCUMENTS

5,443,167 A *	8/1995	Menaged et al.	211/103 X	D384,534 S	10/1997	Kiggins	
5,505,318 A	4/1996	Goff		5,678,702 A	10/1997	Menaged et al.	
5,505,319 A	4/1996	Todd, Jr.		D390,398 S	2/1998	Baker et al.	
5,526,944 A	6/1996	Merl		5,762,207 A	6/1998	Maglione	
5,547,088 A	8/1996	Belokin et al.		5,833,181 A	11/1998	Des Noyers	
5,553,721 A	9/1996	Gebka		5,957,422 A	9/1999	Shea	
5,556,064 A	9/1996	Cowe		6,070,747 A	6/2000	Shea	
5,620,104 A	4/1997	Maglione		D432,844 S *	10/2000	Shea	D6/566
5,657,884 A	8/1997	Zilincar, III		D435,381 S	12/2000	Shea	
5,660,286 A	8/1997	Shea					

* cited by examiner

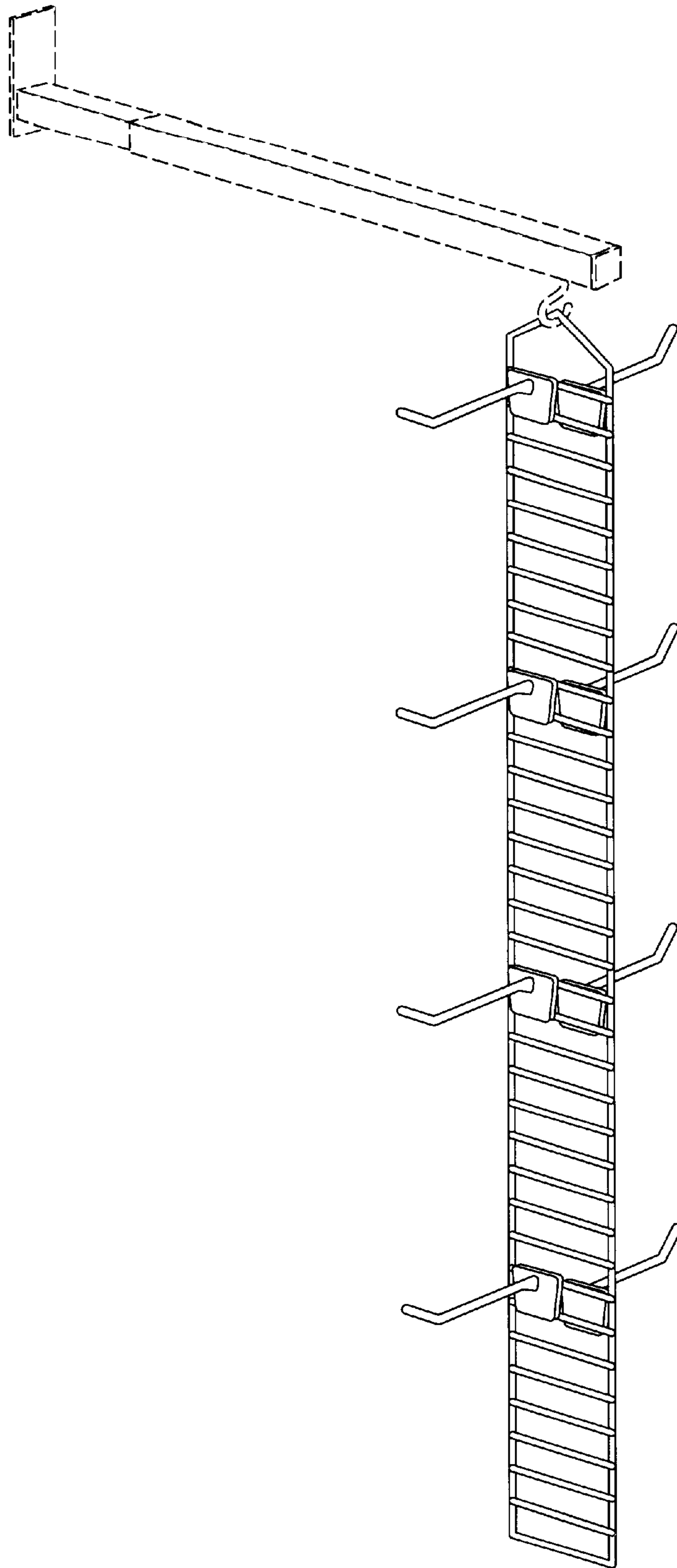


Fig-1

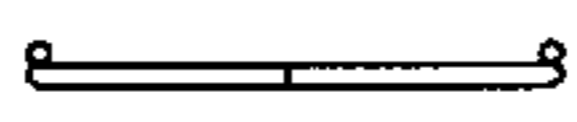


Fig-7

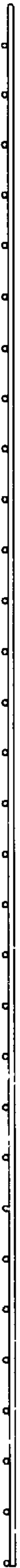


Fig-2

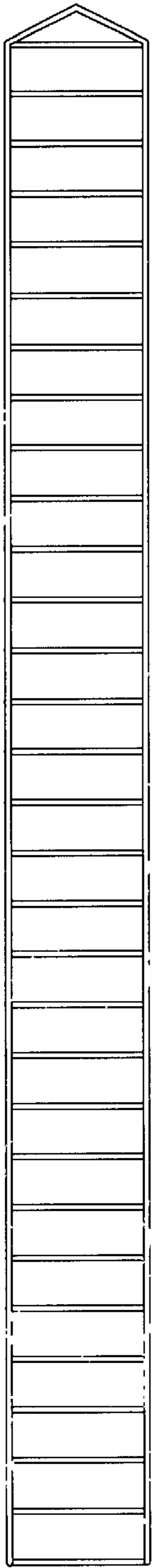


Fig-3



Fig-4

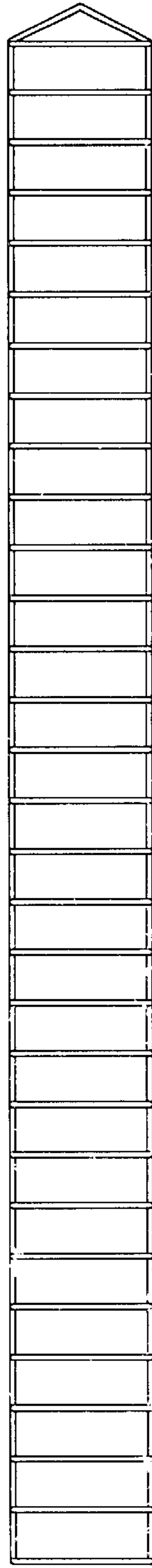


Fig-5

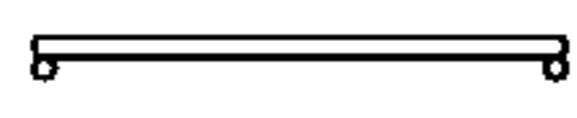


Fig-6