



US00D467109S

(12) **United States Design Patent** (10) **Patent No.:** **US D467,109 S**  
**Yegyayan et al.** (45) **Date of Patent:** **\*\* Dec. 17, 2002**

(54) **ACCESSORY POST**

(75) Inventors: **Kenar Yegyayan**, Rancho Santa Margarita, CA (US); **Jerome F. Czerwinski, Jr.**, Long Beach, CA (US)

(73) Assignee: **Emhart LLC**, Newark, DE (US)

(\*\*) Term: **14 Years**

(21) Appl. No.: **29/153,030**

(22) Filed: **Dec. 20, 2001**

(51) **LOC (7) Cl.** ..... **06-04**

(52) **U.S. Cl.** ..... **D6/550; D6/524**

(58) **Field of Search** ..... D6/546-50, 518, D6/522-24; D8/300, 307-308, 315-20; 108/29; 211/13.1, 16, 60.1, 86.01, 87.01, 88.04, 105.1-105.2, 106, 123, 181.1; 242/570, 588-90, 597-98; 248/49, 175, 200-201, 205.1, 214, 251-54, 261, 302, 304, 309.1, 314-17

D408,669 S \* 4/1999 Kuo ..... D6/550  
D409,029 S 5/1999 Harris  
D417,808 S 12/1999 Roth et al.  
D417,994 S 12/1999 Roth et al.  
D417,995 S 12/1999 Chen  
D422,820 S 4/2000 Chen  
D424,352 S \* 5/2000 Roth et al. .... D6/549  
D424,354 S 5/2000 Duggan  
D431,742 S \* 10/2000 Chen ..... D6/524  
D431,948 S 10/2000 Chen  
D436,477 S 1/2001 Ming-Hsiao  
6,220,460 B1 4/2001 Pan  
6,250,597 B1 6/2001 Kuo  
D453,085 S \* 1/2002 Chen ..... D6/524

\* cited by examiner

*Primary Examiner*—Brian N. Vinson  
(74) *Attorney, Agent, or Firm*—Richard J. Veltman; John D. Del Ponti

(57) **CLAIM**

The ornamental design for an accessory post, as shown and described.

(56) **References Cited**

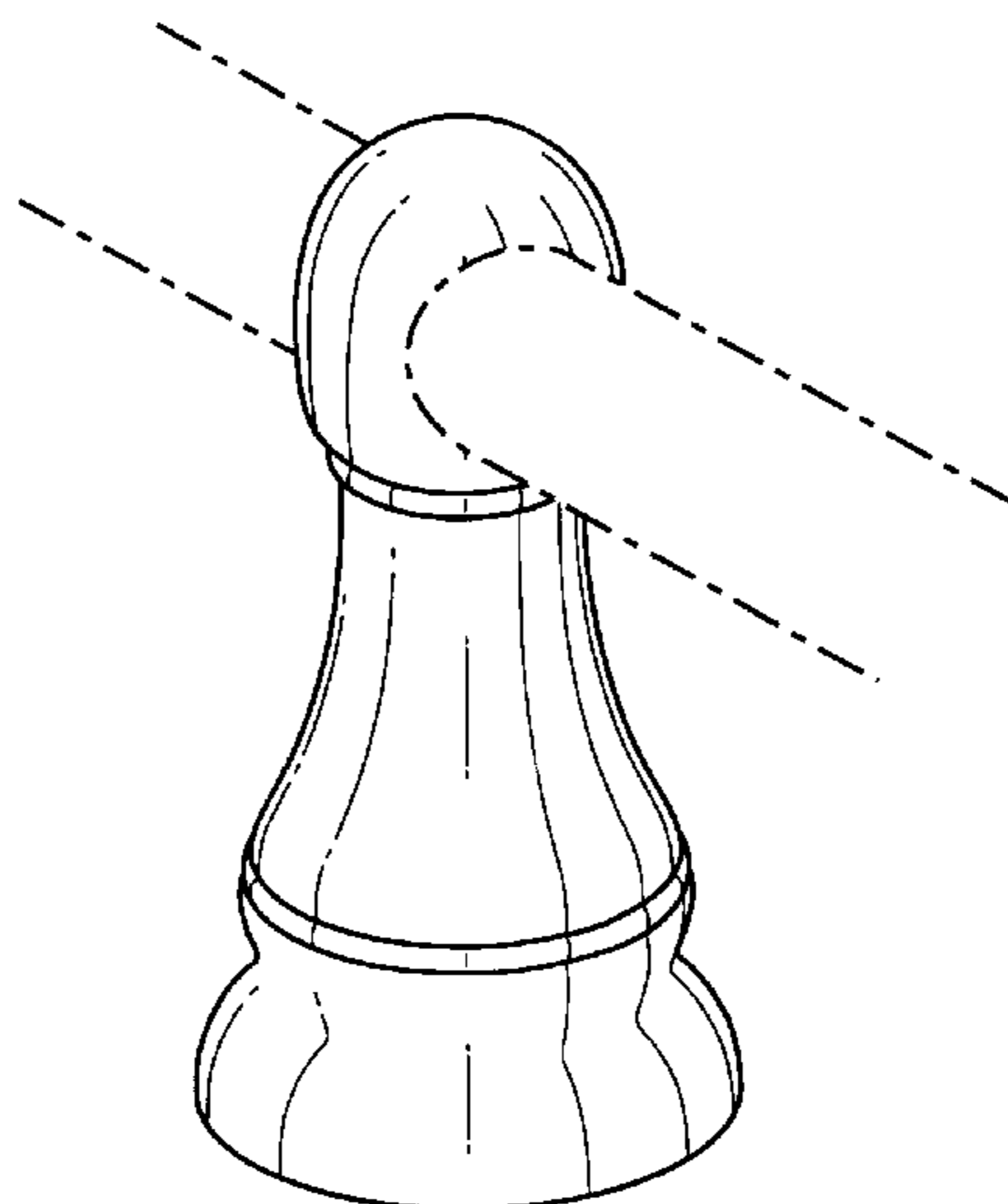
**U.S. PATENT DOCUMENTS**

394,792	A	12/1888	Shoe	
D41,567	S	7/1911	Strassburger et al.	
1,057,448	A	4/1913	Nordstrom	
D74,422	S	2/1928	Frolking	
1,795,059	A	3/1931	Vance et al.	
D97,398	S	11/1935	Levett	
2,490,854	A	* 12/1949	Bozoti	248/205.1
D286,963	S	12/1986	Waghorn	
5,186,427	A	2/1993	Semchuck	
D337,014	S	7/1993	Wang	
D348,509	S	* 7/1994	Bollenbacher	D23/254
D349,208	S	* 8/1994	Bollenbacher	D6/550
D357,840	S	* 5/1995	Lehn et al.	D6/549
D360,792	S	8/1995	Sharpe	
D361,006	S	8/1995	Sharpe	
D362,361	S	9/1995	Lehn et al.	
D392,139	S	* 3/1998	Wu	D6/549
D394,973	S	6/1998	Moore et al.	

**DESCRIPTION**

FIG. 1 is a perspective view of the new design for an accessory post;  
FIG. 2 is a front elevational view of the new design for an accessory post, the rear elevational view being a mirror image;  
FIG. 3 is a right elevational view of the new design for an accessory post, the left elevational view being a mirror image;  
FIG. 4 is a top plan view of the new design for an accessory post; and,  
FIG. 5 is a bottom plan view of the new design for an accessory post.  
The fragmentary broken-line disclosure in the views is for illustrative purposes only and forms no part of the claimed design.

**1 Claim, 4 Drawing Sheets**



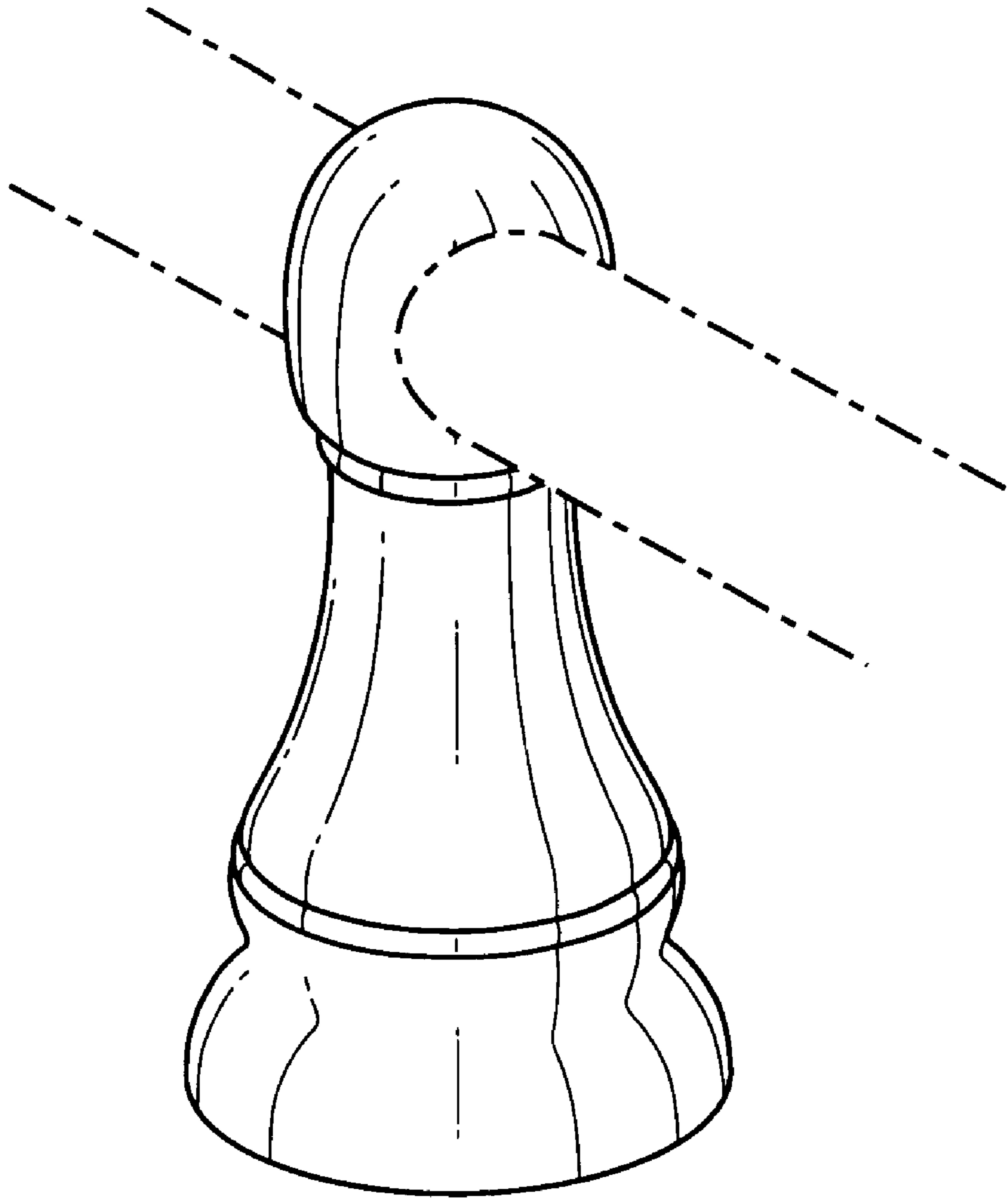


FIG. 1

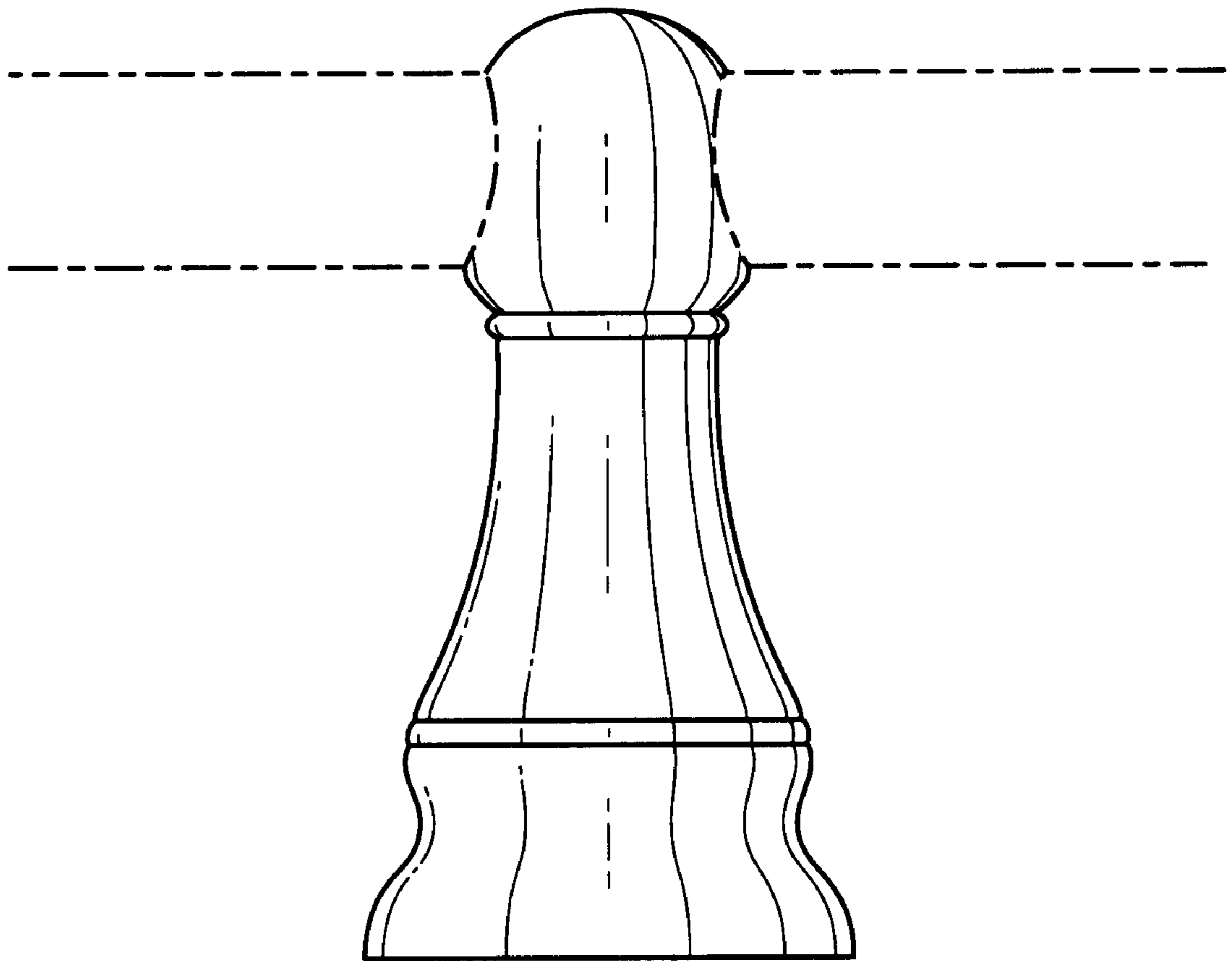


FIG. 2

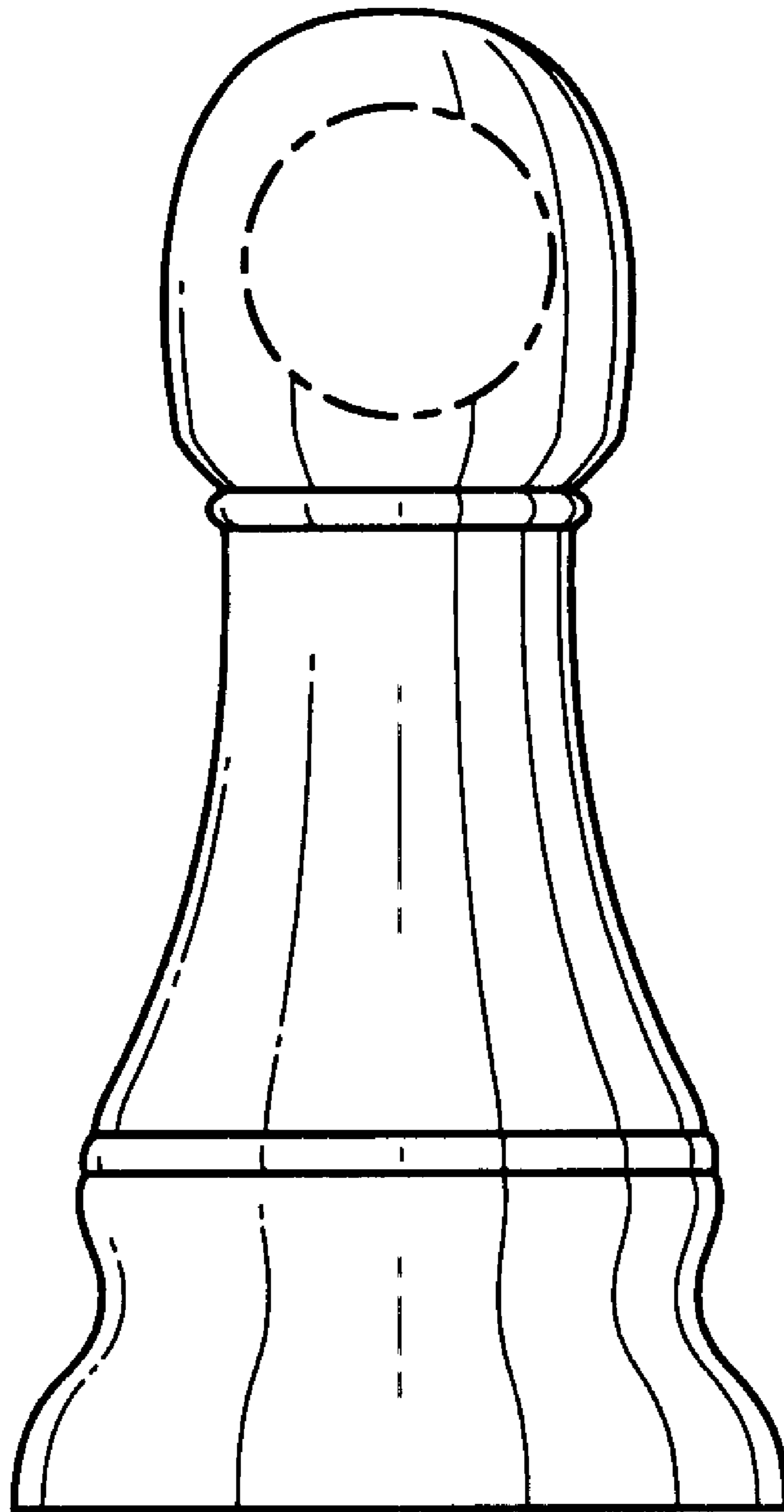


FIG. 3

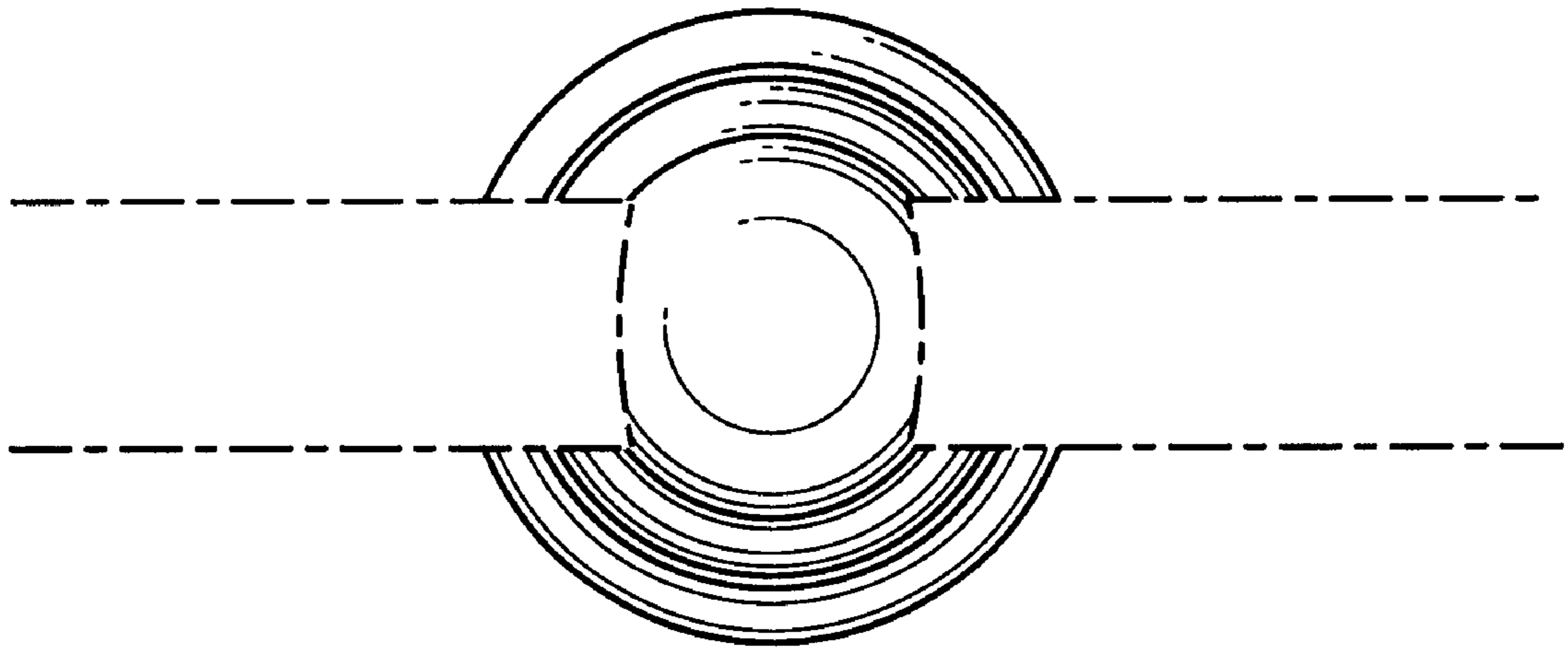


FIG. 4

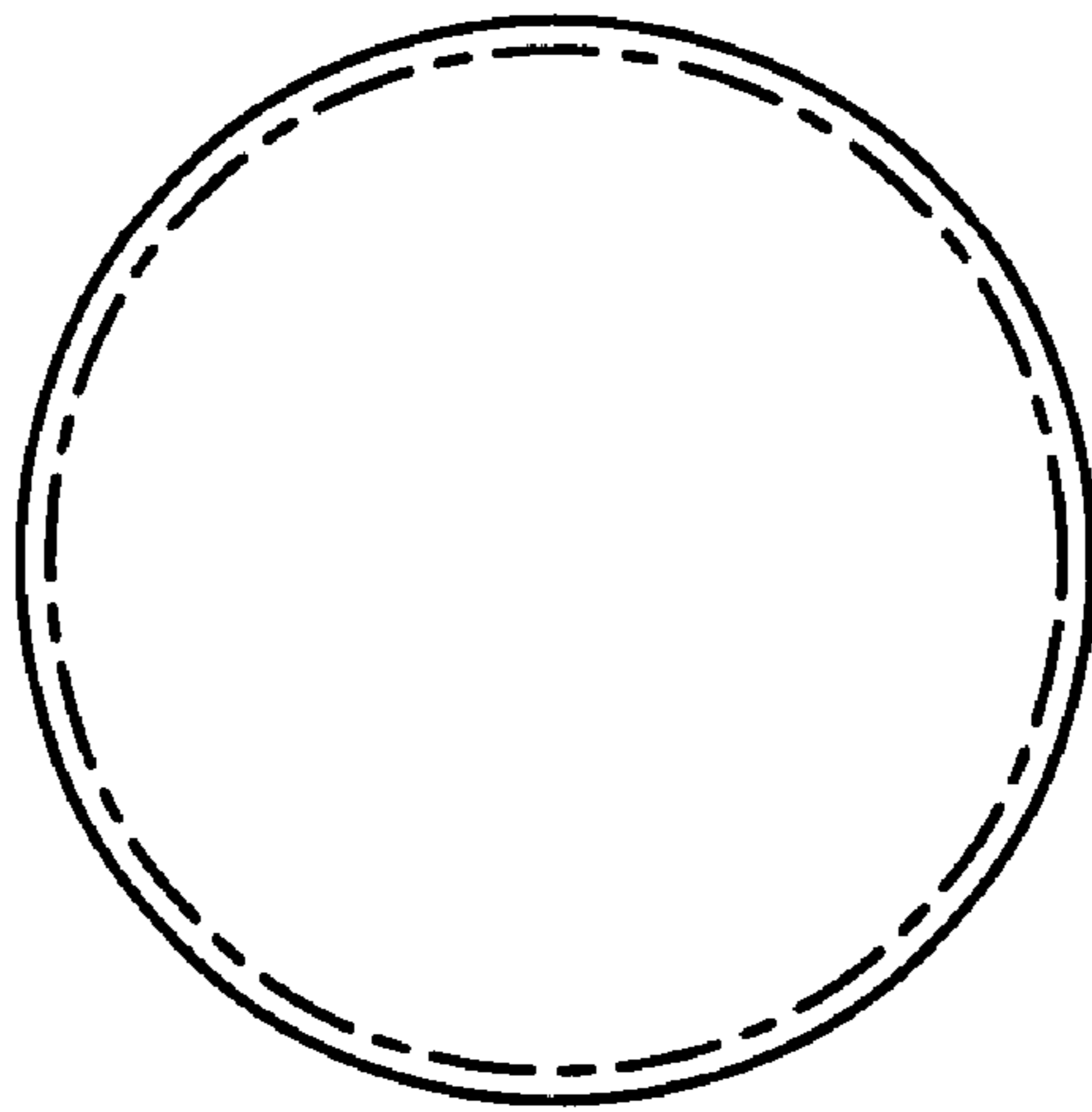


FIG. 5