



US00D467108S

(12) **United States Design Patent**
Ahlström et al.

(10) **Patent No.:** **US D467,108 S**

(45) **Date of Patent:** **** Dec. 17, 2002**

(54) **COMBINED BOTTLE FOR EYE SHOWER
AND WALL MOUNTING BRACKET
THEREFOR**

(75) Inventors: **Tom Ahlström**, Lidingo (SE); **Hans Ehrich**, Stockholm (SE); **Jochen Ratjen**, Stockholm (SE)

(73) Assignee: **Cederroth International AB**, Upplands Vasby (SE)

(**) Term: **14 Years**

(21) Appl. No.: **29/140,186**

(22) Filed: **Apr. 12, 2001**

(30) **Foreign Application Priority Data**

Oct. 16, 2000 (SE) 00-1916

(51) **LOC (7) Cl.** **83-02**

(52) **U.S. Cl.** **D6/545**

(58) **Field of Search** D6/542, 545, 572;
221/208, 282, 283; 222/105, 173, 180,
181.1, 181.2, 181.3

(56) **References Cited**

U.S. PATENT DOCUMENTS

- D273,062 S * 3/1984 Richardson D6/545
- D340,823 S * 11/1993 Bunschoten et al. D6/545
- D442,813 S * 5/2001 Andersson D6/545
- D448,958 S * 10/2001 Gross D6/545
- D449,753 S * 10/2001 DeKoning et al. D6/545
- D451,736 S * 12/2001 Mast et al. D6/545

D453,886 S * 2/2002 Puijssers D6/545

* cited by examiner

Primary Examiner—Brian N. Vinson

(74) *Attorney, Agent, or Firm*—Alfred J. Mangels

(57) **CLAIM**

The ornamental design for a combined bottle for eye shower and wall mounting bracket therefor, as shown and described.

DESCRIPTION

FIG. 1 is a top, front, and right side perspective view of a combined bottle for eye shower and wall mounting bracket therefor showing our new design;

FIG. 2 is a front elevational view thereof;

FIG. 3 is a left side elevational view thereof;

FIG. 4 is a bottom plan view thereof;

FIG. 5 is a top plan view thereof;

FIG. 6 is a top, front, and right side perspective view of the wall mounting bracket thereof, the bottle omitted for clarity of illustration;

FIG. 7 is a top, rear, and right side perspective view of the bottle thereof, with the wall mounting bracket omitted for clarity of illustration;

FIG. 8 is a right side elevational view of the bottle thereof;

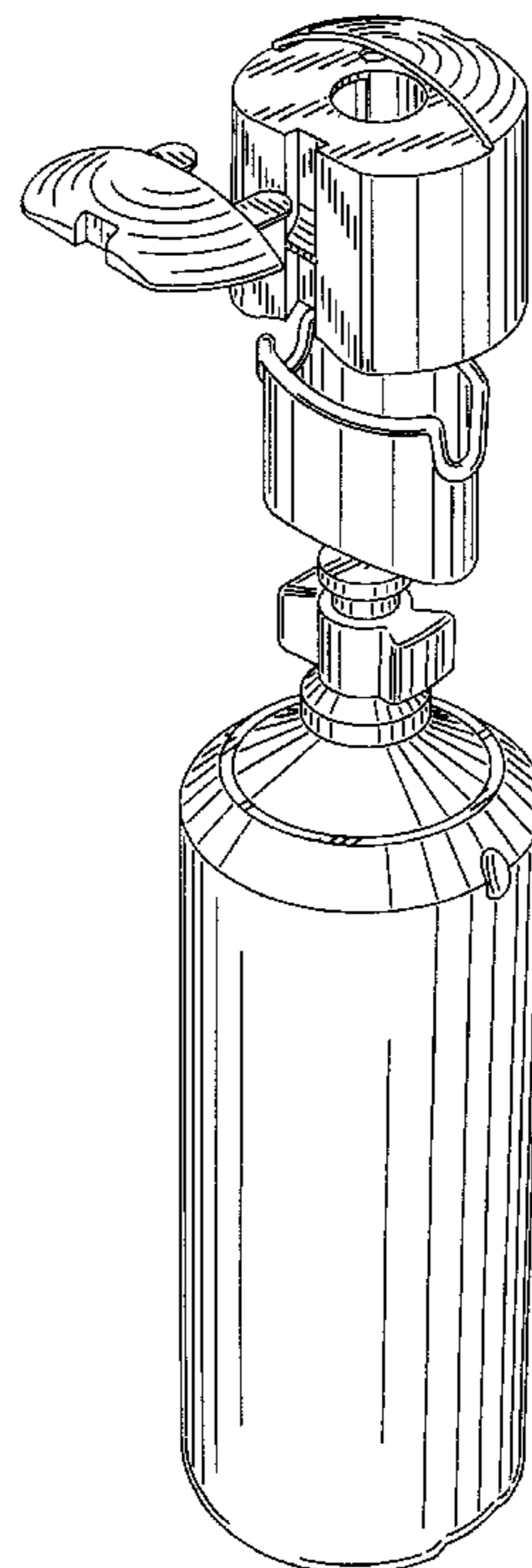
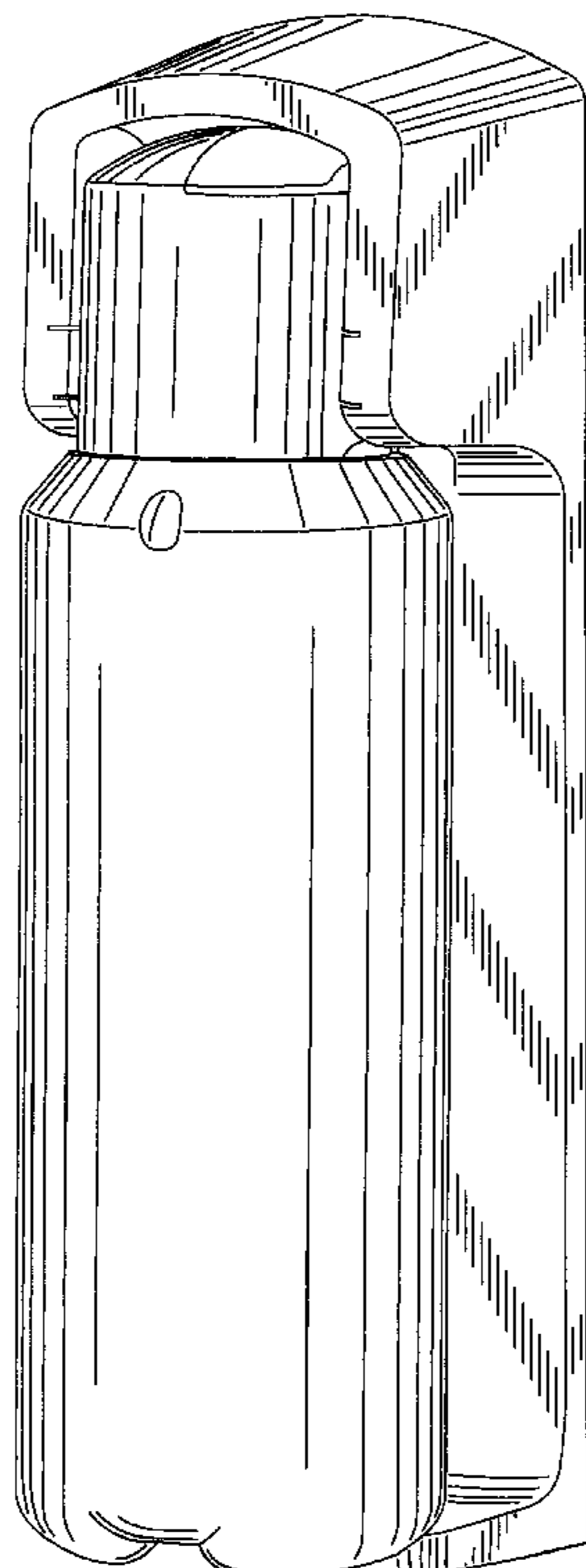
FIG. 9 is a front elevational view of the bottle thereof;

FIG. 10 is a top plan view of the bottle thereof;

FIG. 11 is an exploded top, rear, and right side perspective view of the bottle thereof; and,

FIG. 12 is a front, and left side perspective view of the bottle thereof, with the dust cap omitted for clarity of illustration.

1 Claim, 11 Drawing Sheets



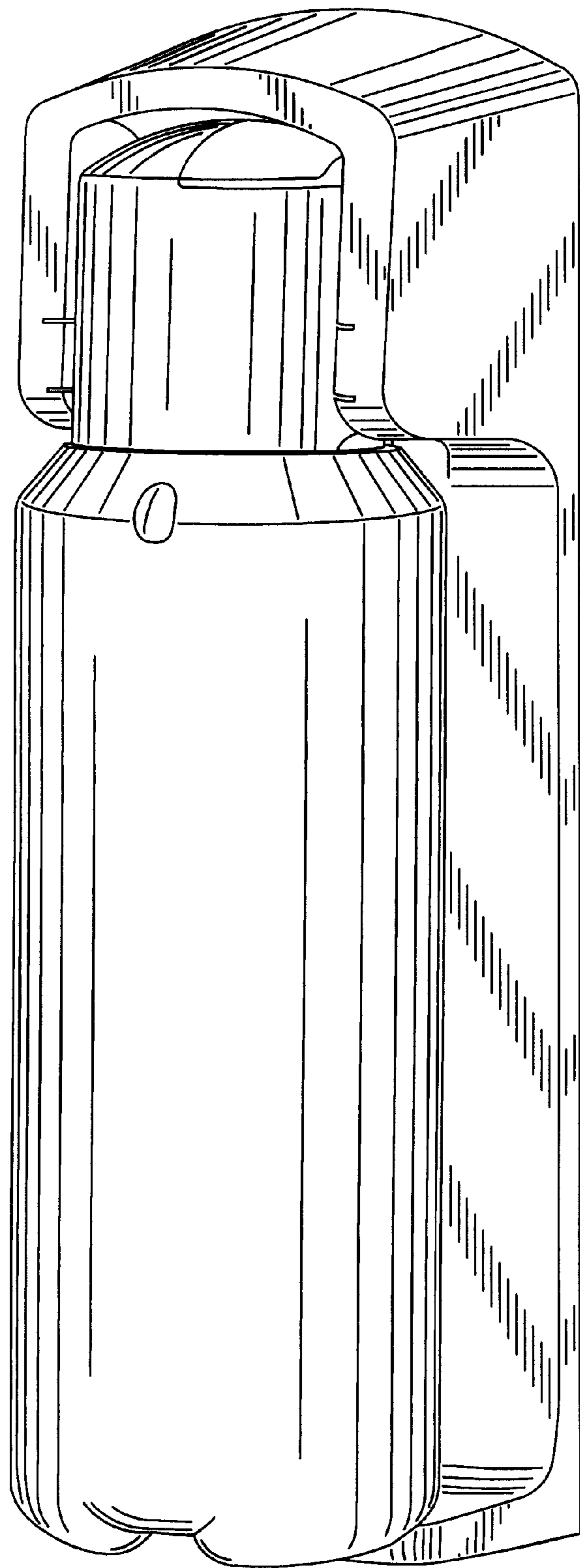


FIG. 1

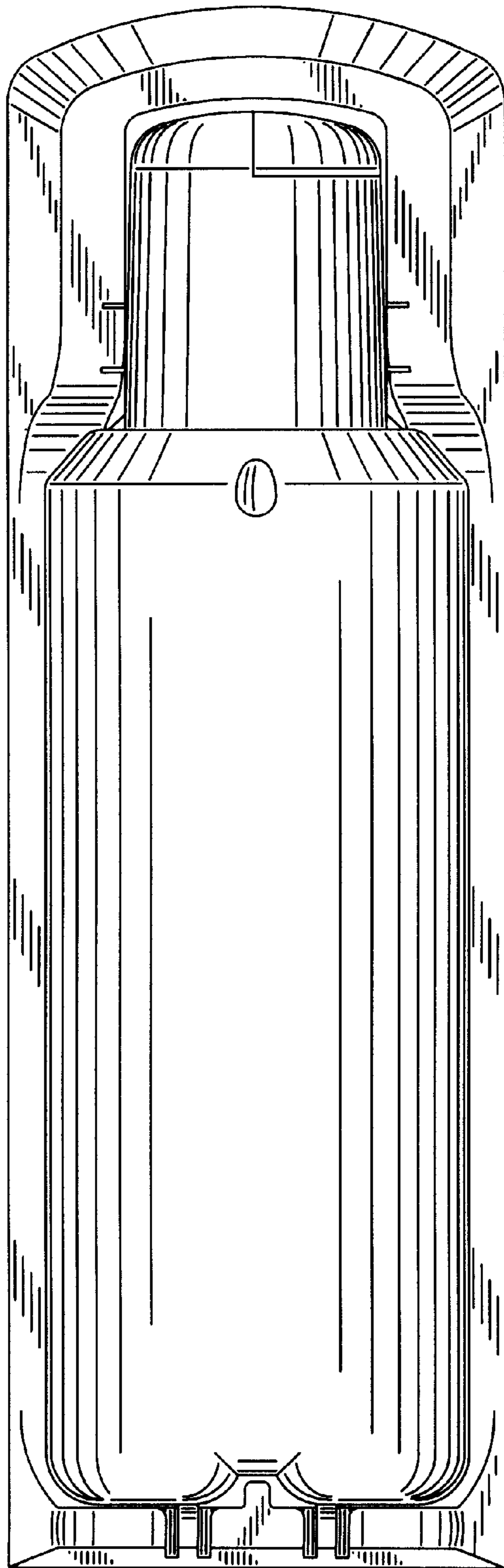


FIG. 2

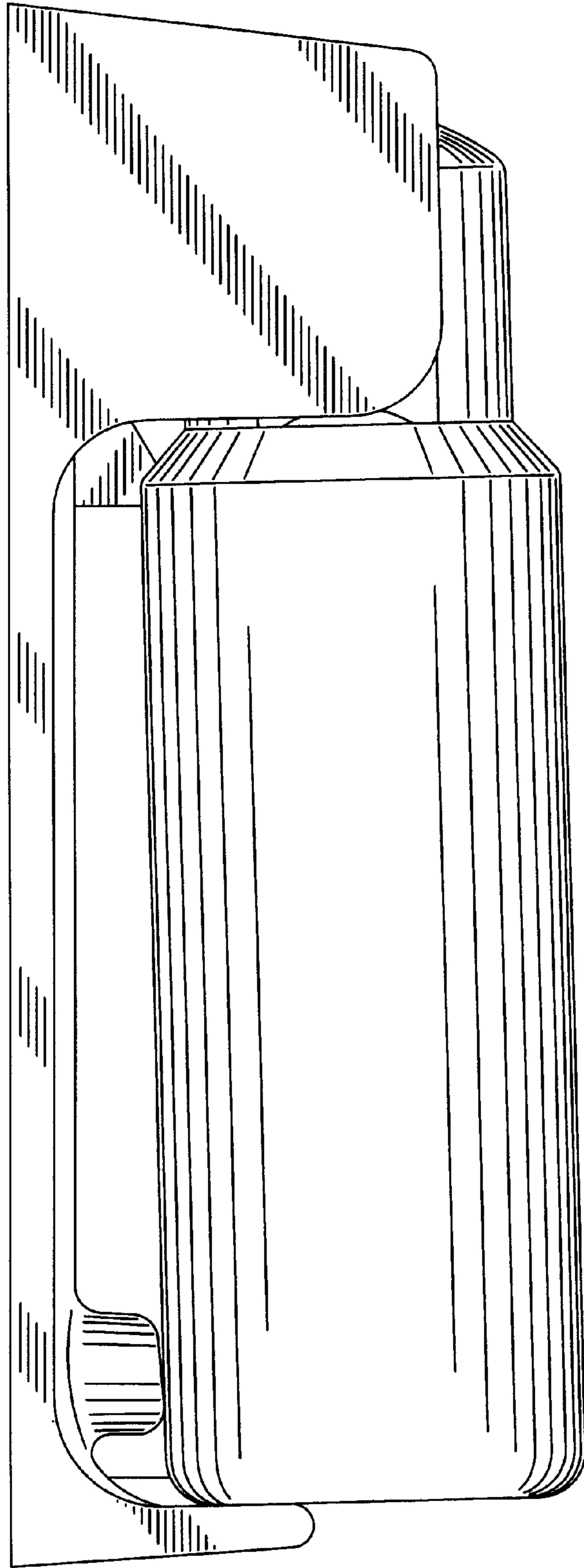


FIG. 3

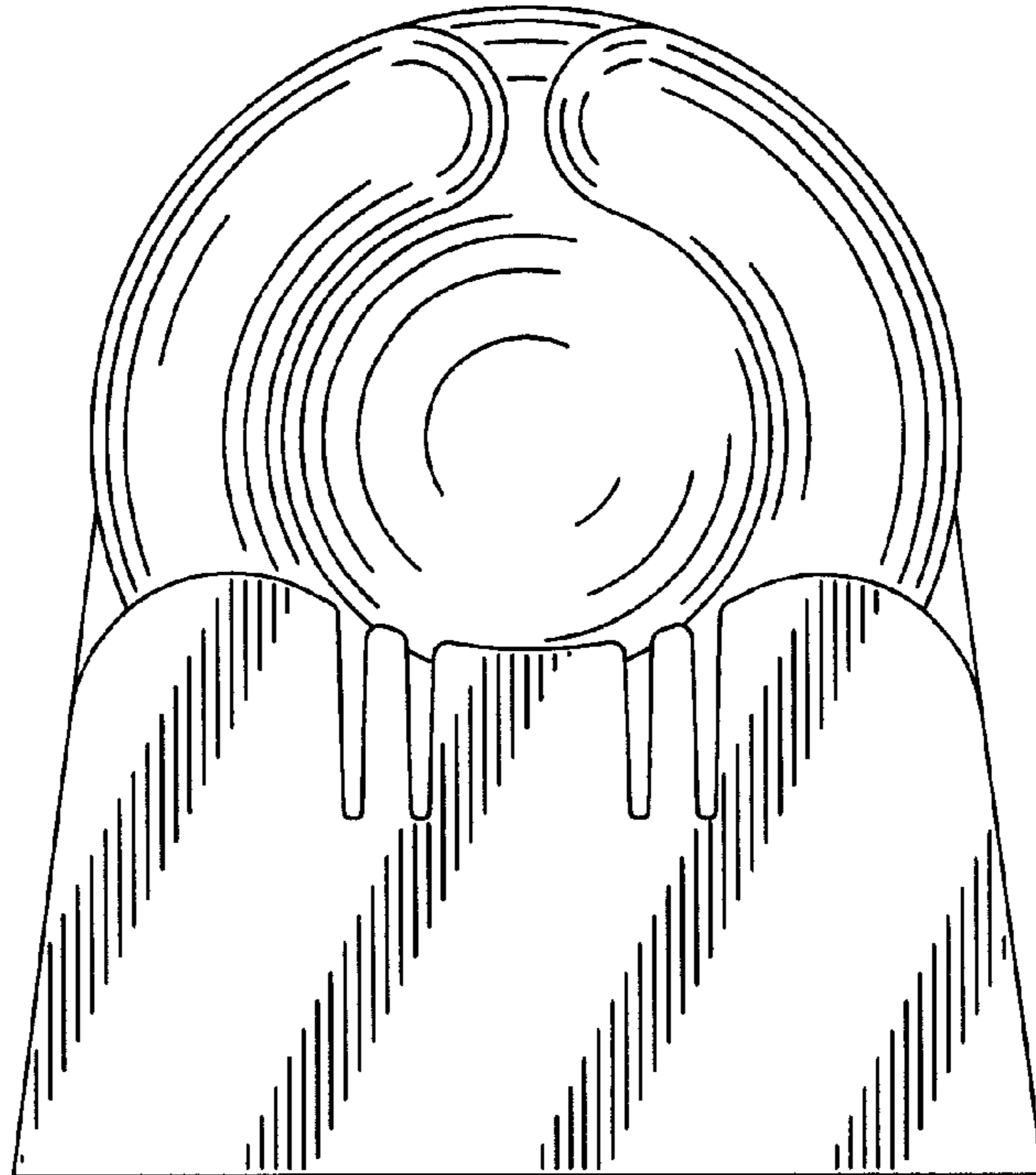


FIG. 4

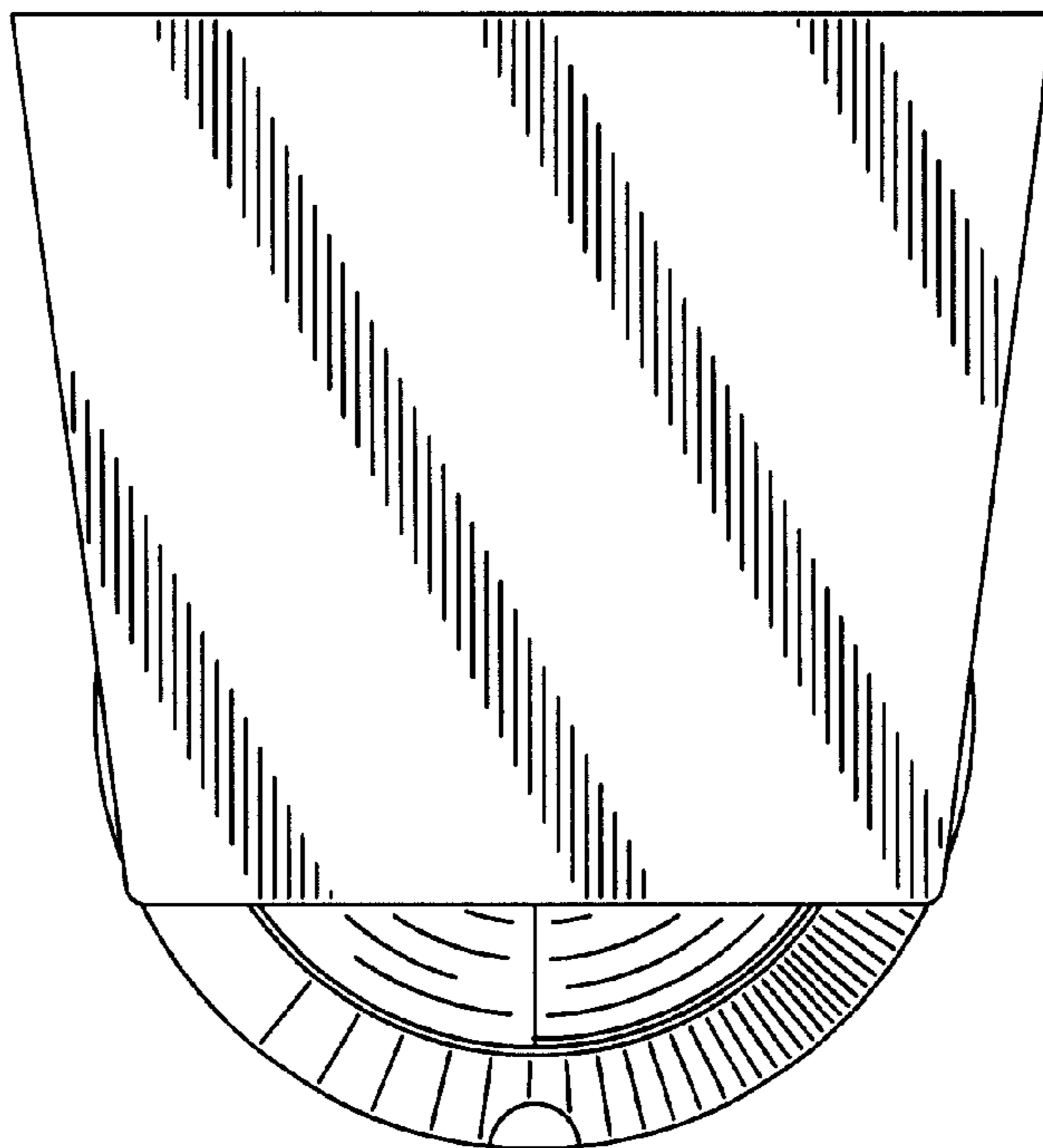


FIG. 5

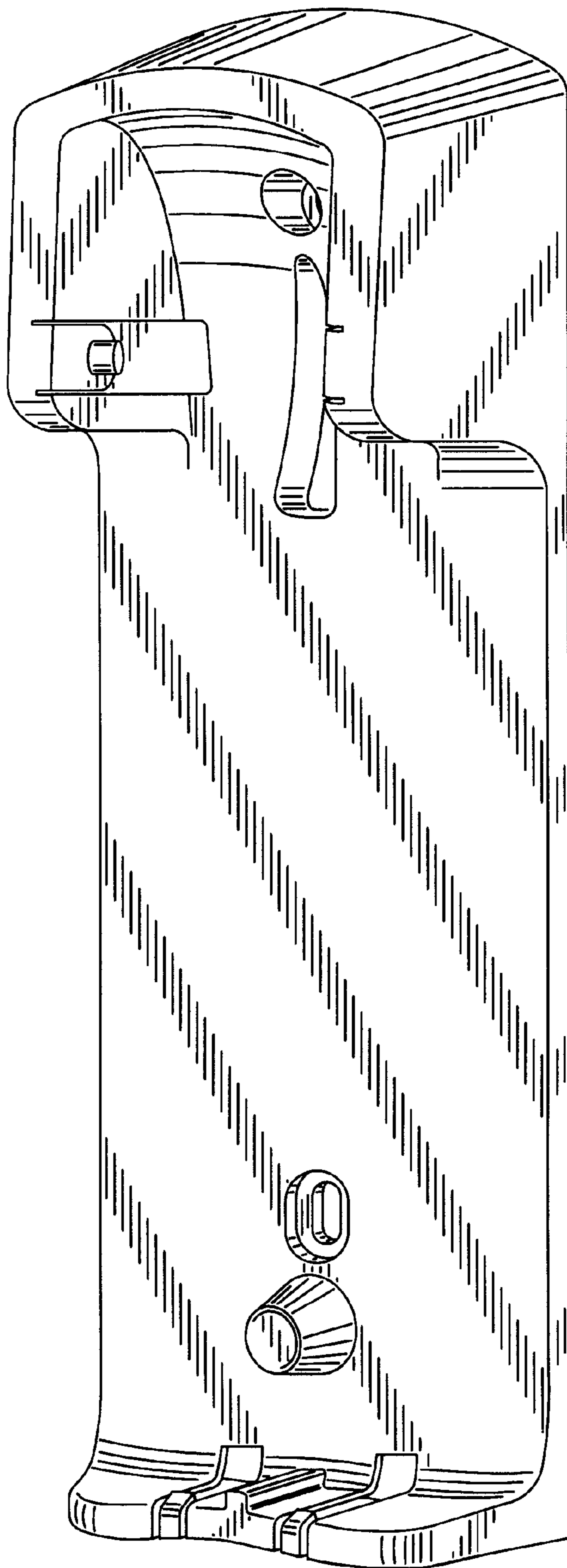


FIG. 6

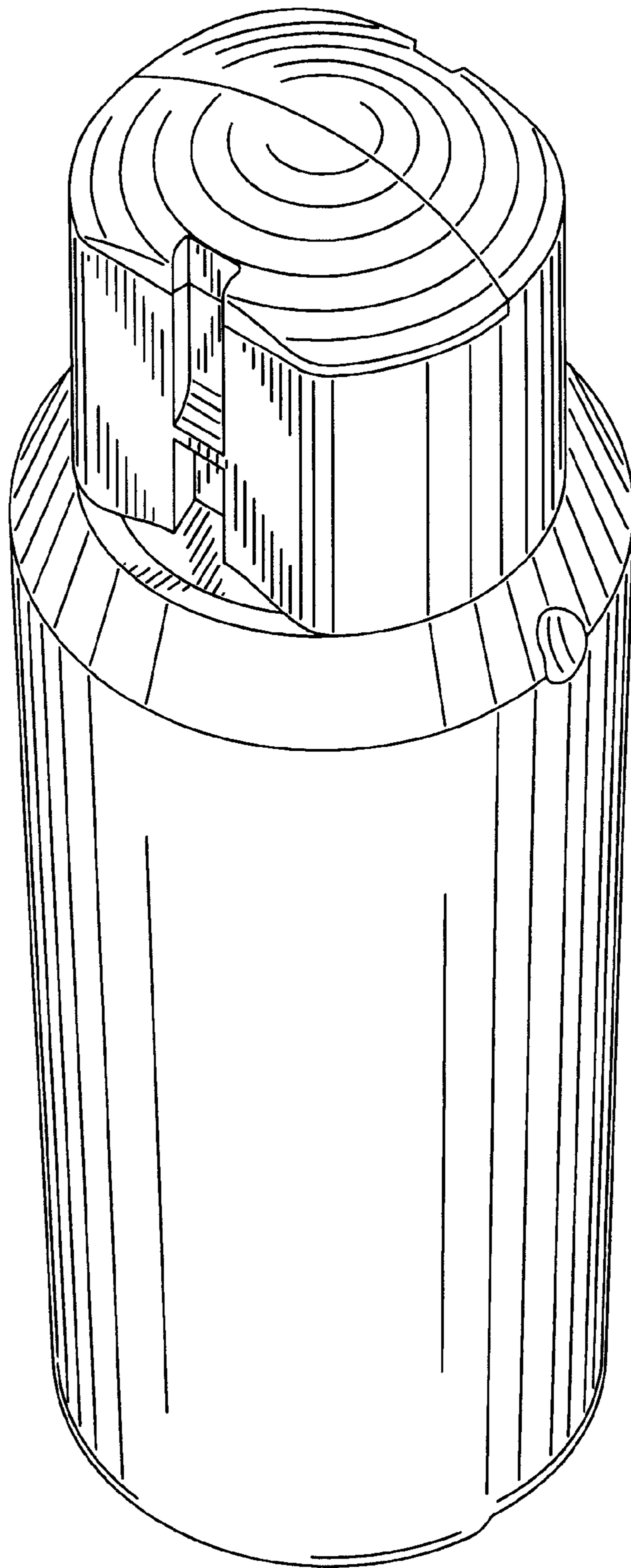


FIG. 7

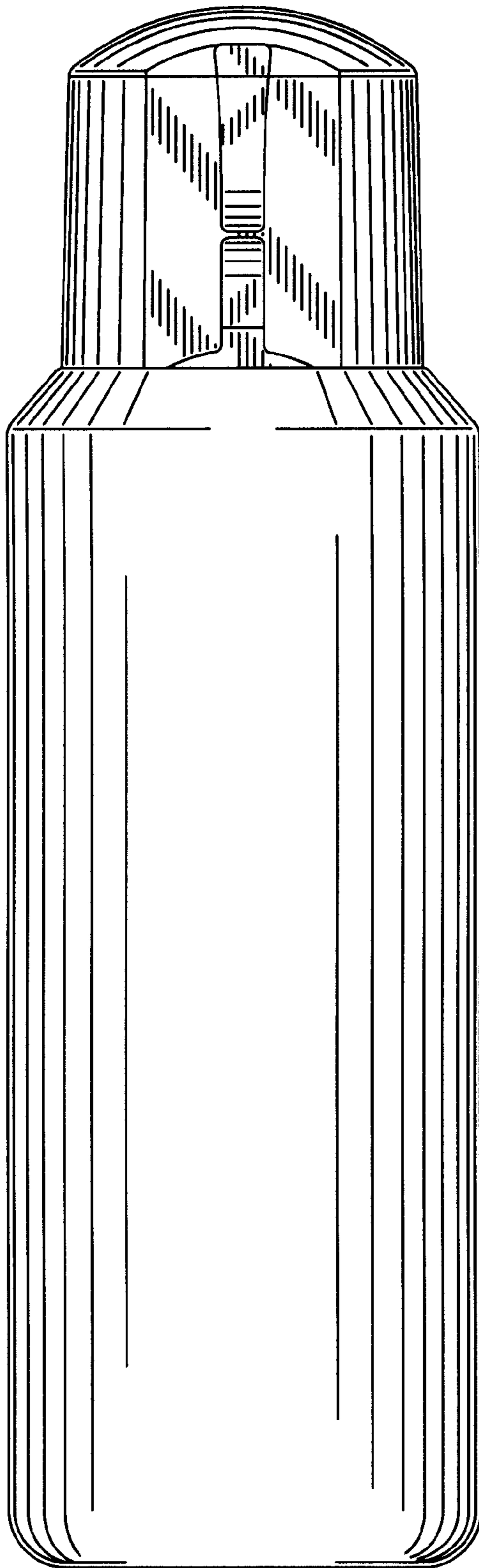


FIG. 8

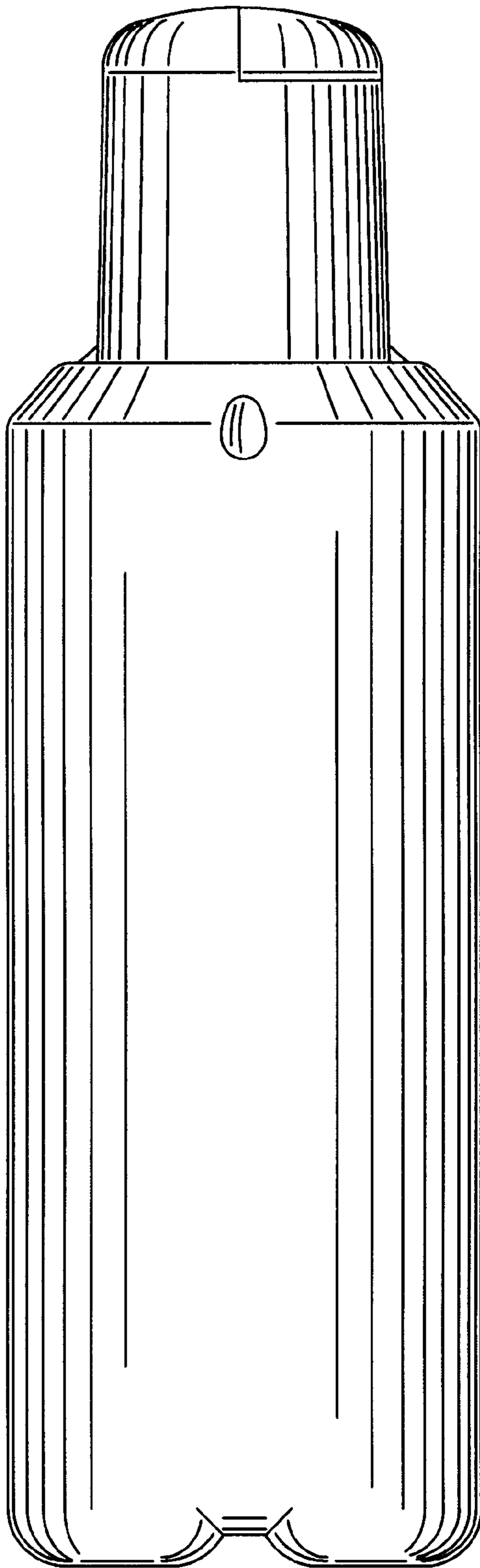


FIG. 9

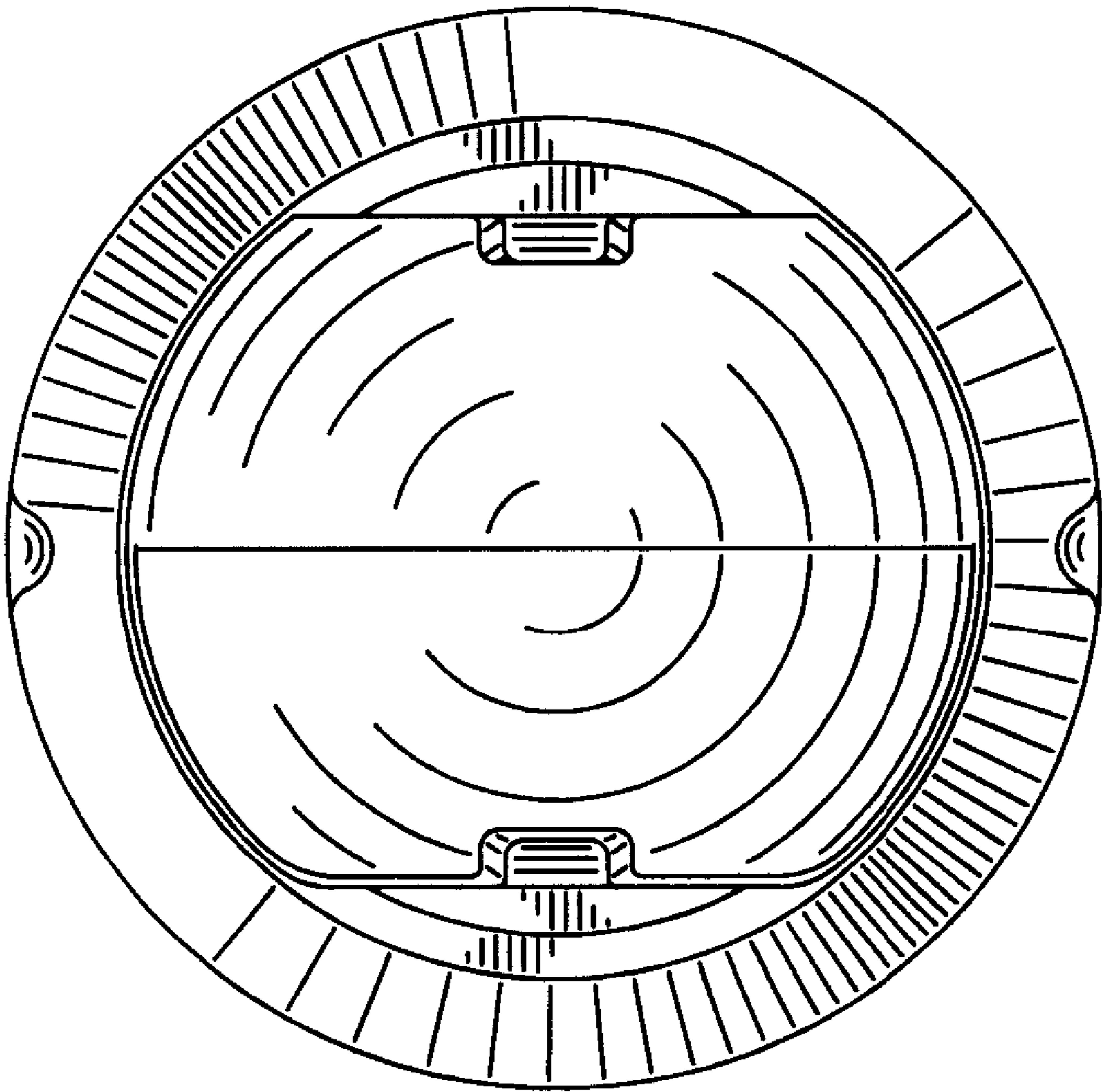


FIG. 10

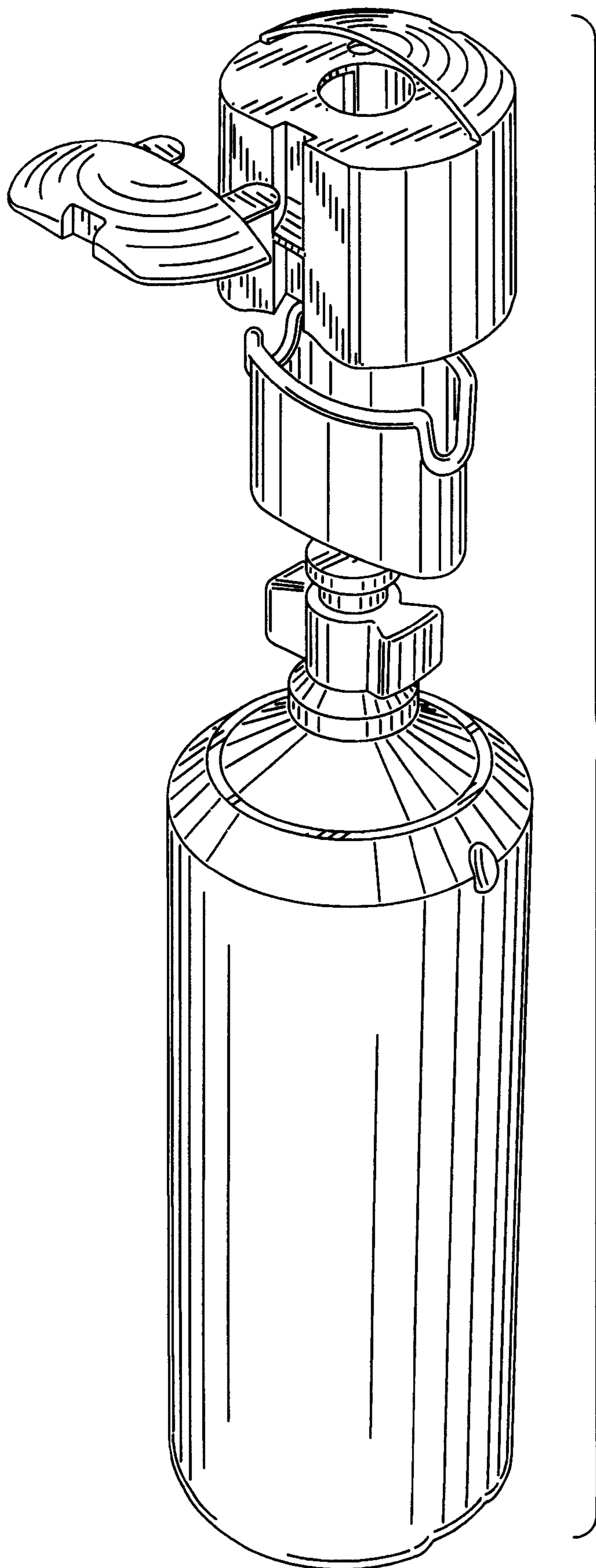


FIG. 11

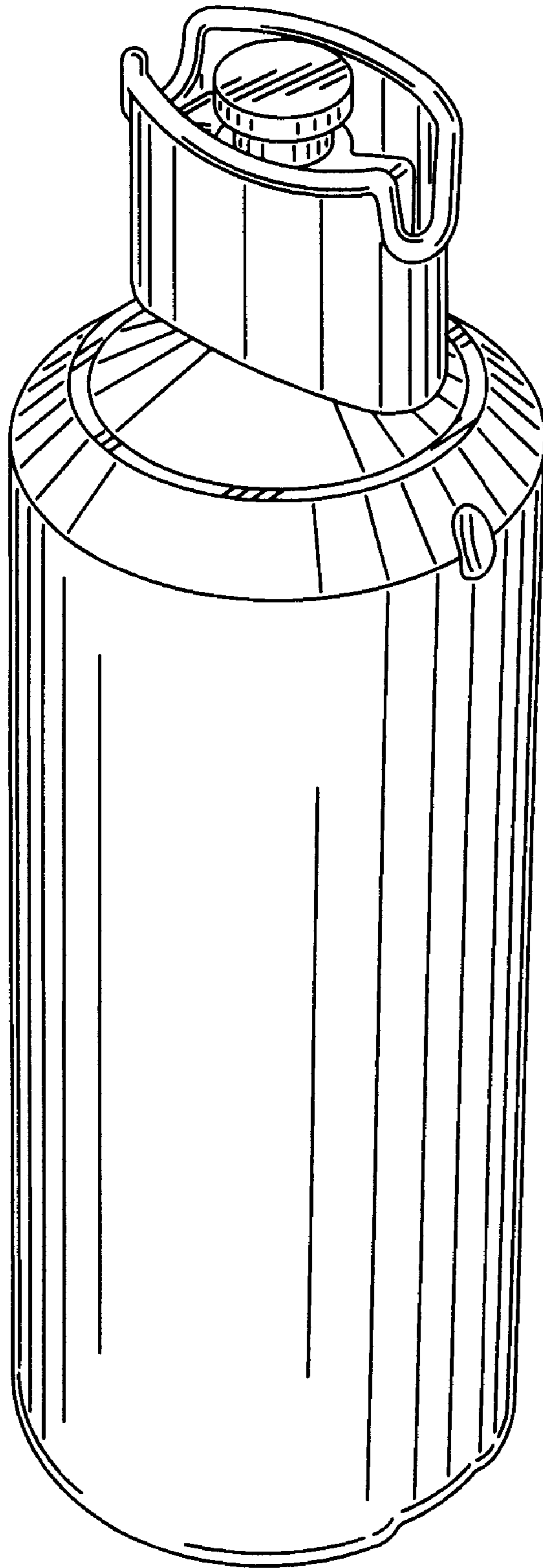


FIG. 12