



US00D467107S

(12) **United States Design Patent**
Ouyoung

(10) **Patent No.:** **US D467,107 S**

(45) **Date of Patent:** **** Dec. 17, 2002**

(54) **BATH ACCESSORY POST**

(75) Inventor: **Ming Ouyoung**, Taichung Export Processing Zone (TW)

(73) Assignee: **Globe Union America Corporation**, Bolingbrook, IL (US)

(**) Term: **14 Years**

(21) Appl. No.: **29/150,884**

(22) Filed: **Nov. 29, 2001**

(51) **LOC (7) Cl.** **23-02**

(52) **U.S. Cl.** **D6/524; D6/550**

(58) **Field of Search** D6/546-50, 518, D6/522-24; D8/300, 307-308, 315-20; 108/29; 211/13.1, 16, 60.1, 86.01, 87.01, 88.04, 105.1-105.2, 106, 123, 181.1; 242/570, 588-90, 597-98; 248/49, 175, 200-201, 205.1, 214, 251-54, 261, 302, 304, 309.1, 314-17

D390,397 S 2/1998 Chen D6/550

D406,484 S 3/1999 Wu D6/566

D407,931 S 4/1999 Sweetman D6/524

D408,669 S 4/1999 Kuo D6/550

D409,032 S * 5/1999 Kuo D6/550

D416,419 S 11/1999 Chen D6/550

D416,785 S 11/1999 Ming-Hsiao D8/363

D417,112 S 11/1999 Chen D6/546

D417,576 S 12/1999 Ming-Hsiao D6/549

D417,989 S 12/1999 Moore et al. D6/524

D417,995 S 12/1999 Chen D6/550

D423,854 S 5/2000 Roth et al. D6/549

D424,354 S 5/2000 Duggan D6/550

D431,139 S * 9/2000 Chen D6/524

D438,040 S * 2/2001 Funk D6/524

D449,952 S * 11/2001 Lyndon D6/549

D452,100 S * 12/2001 Gilbert D6/549

D453,434 S * 2/2002 Ou-Young D6/546

D454,742 S * 3/2002 Meck et al. D6/549

* cited by examiner

Primary Examiner—Brian N. Vinson
(74) *Attorney, Agent, or Firm*—Brinks Hofer Gilson & Lione

(56) **References Cited**

U.S. PATENT DOCUMENTS

2,490,854 A * 12/1949 Bozoti 248/251 X

2,542,941 A * 2/1951 Post 248/205.1

D318,590 S 7/1991 McKeone D6/524

D327,196 S 6/1992 Crook et al. D6/549

D328,215 S 7/1992 McKeone D6/524

D337,014 S 7/1993 Wang D6/550

D337,230 S 7/1993 Wang D6/550

D357,379 S 4/1995 Lehn et al. D6/549

D357,840 S 5/1995 Lehn et al. D6/549

D362,361 S 9/1995 Lehn et al. D6/523

D385,735 S * 11/1997 Hundley et al. D6/524

D388,272 S 12/1997 Moore D6/549

D388,644 S 1/1998 Chen D6/550

(57) **CLAIM**

The ornamental design for a bath accessory post, as shown and described.

DESCRIPTION

FIG. 1 is a perspective view showing my new design.

FIG. 2 is a top elevational view thereof.

FIG. 3 is a bottom elevational view thereof.

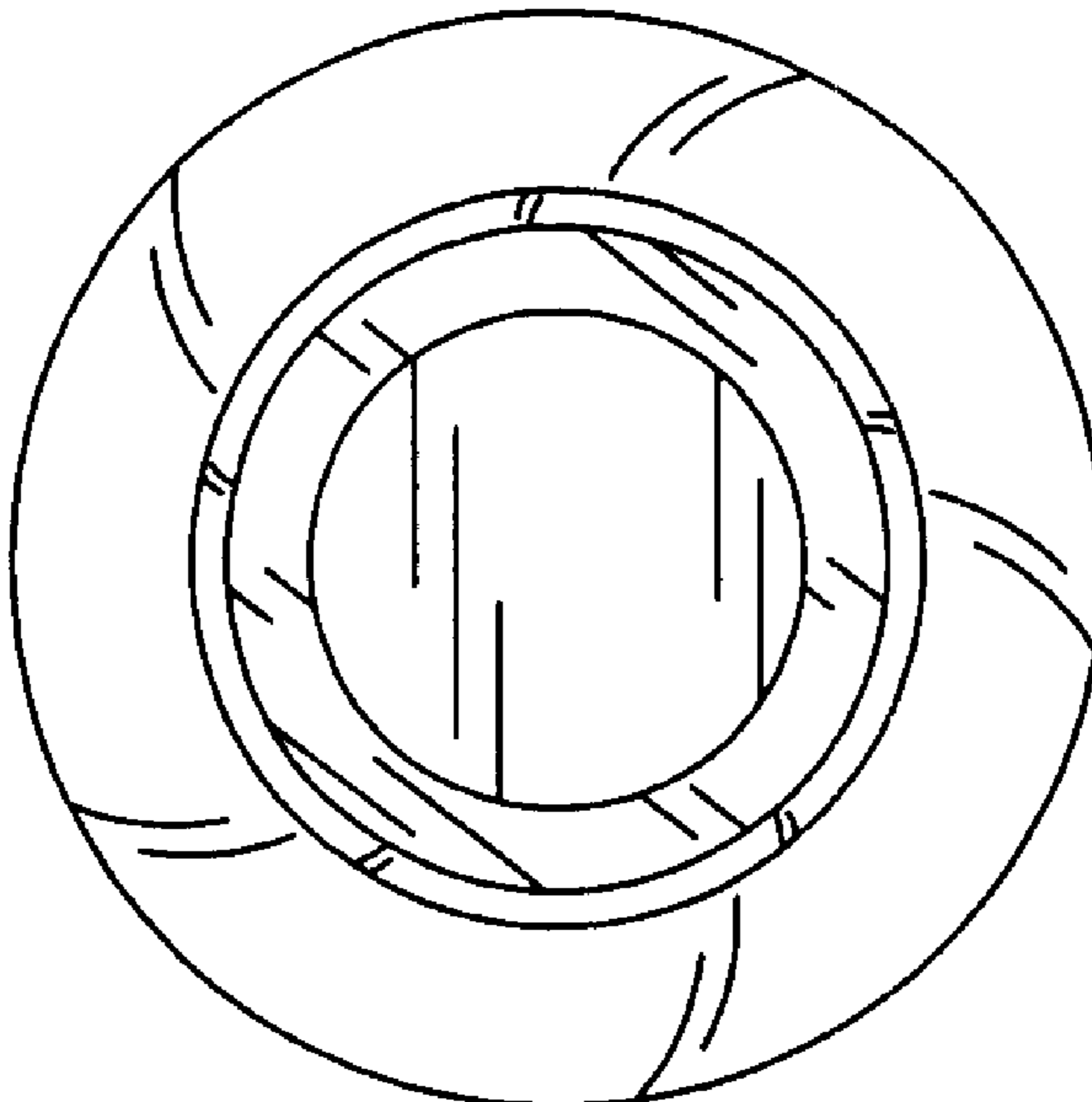
FIG. 4 is a right elevational view thereof.

FIG. 5 is a left elevational view thereof.

FIG. 6 is a rear elevational view thereof; and,

FIG. 7 is a front elevational view thereof.

1 Claim, 4 Drawing Sheets



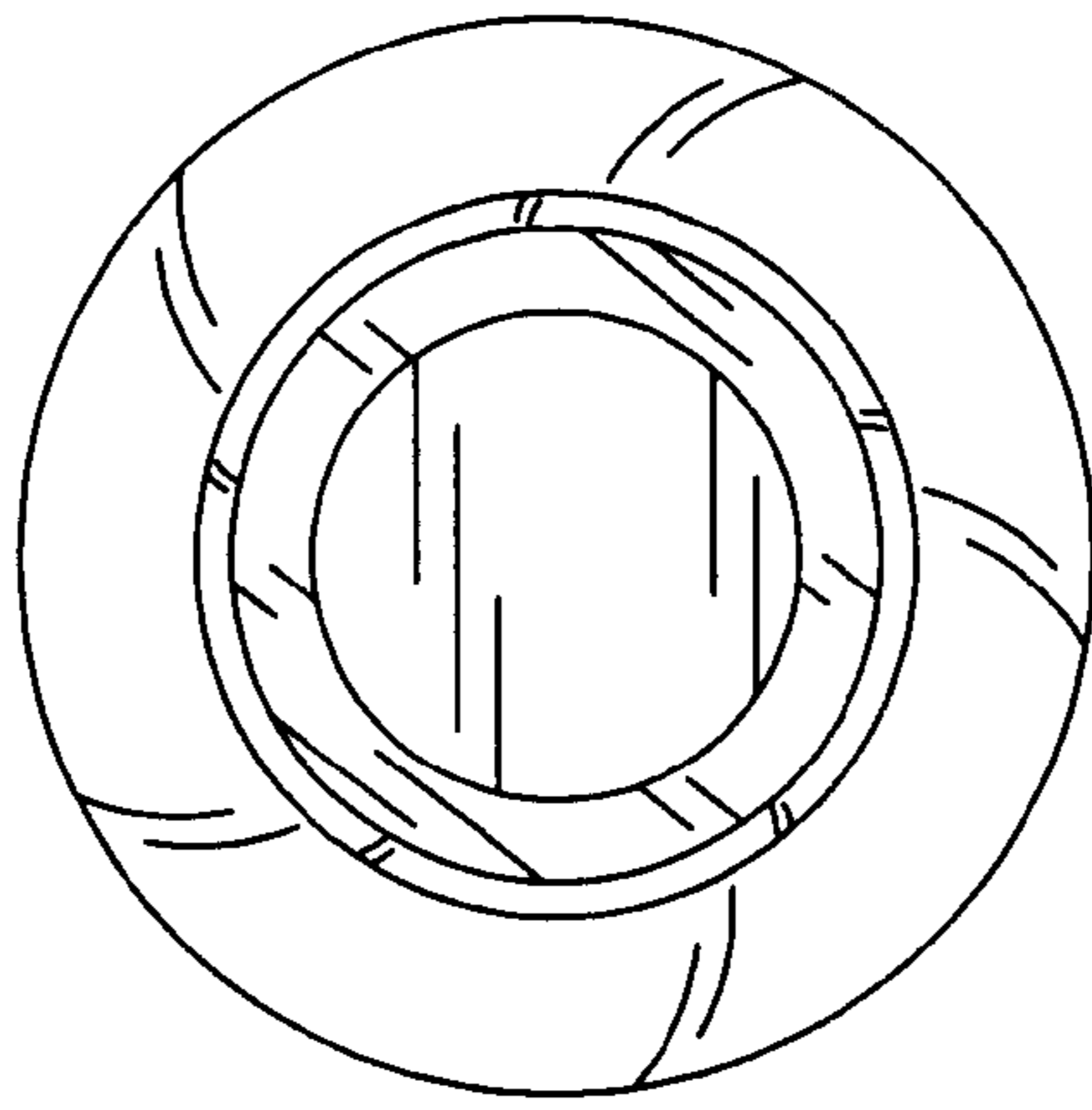


FIG.1

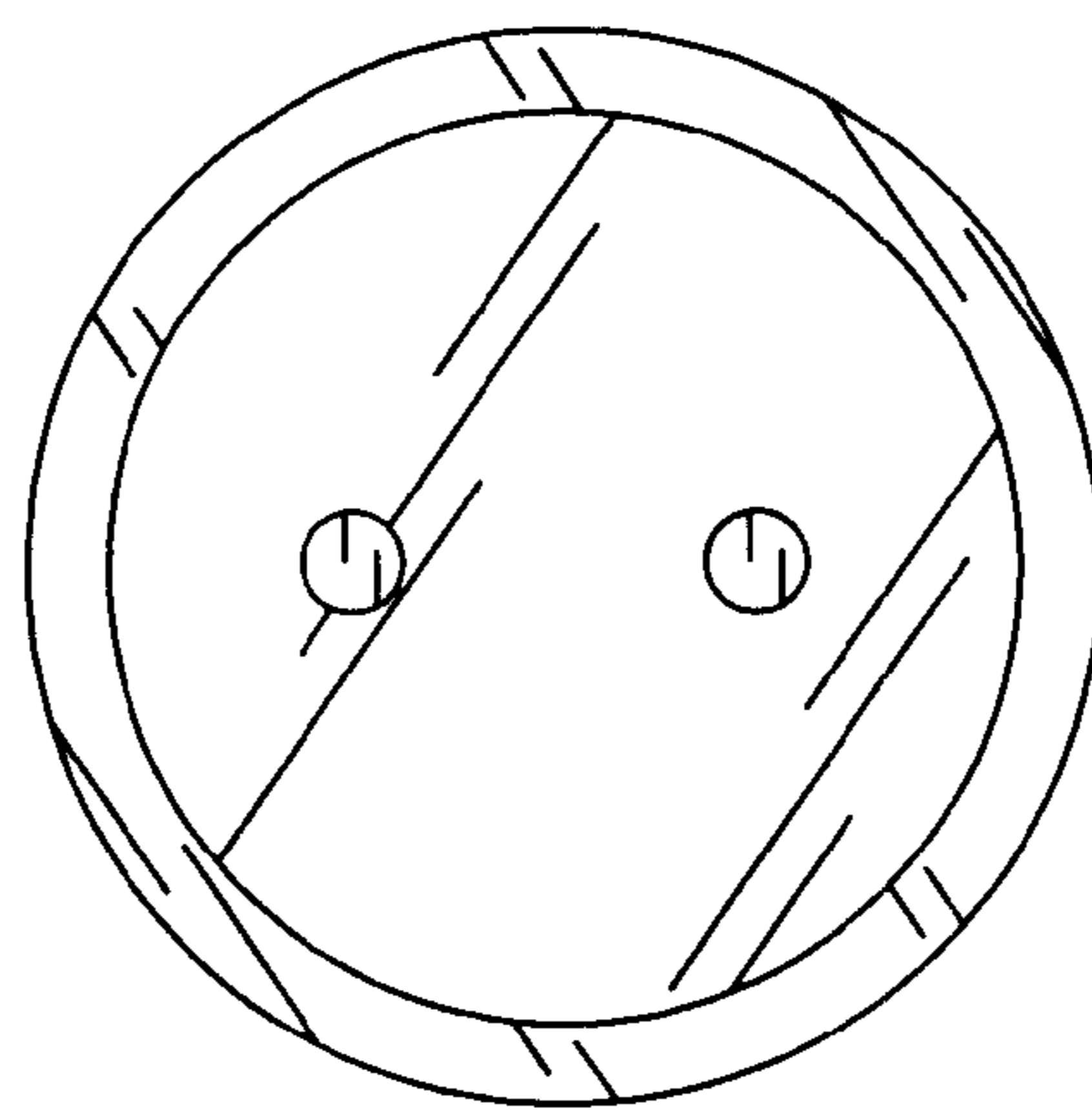


FIG.2

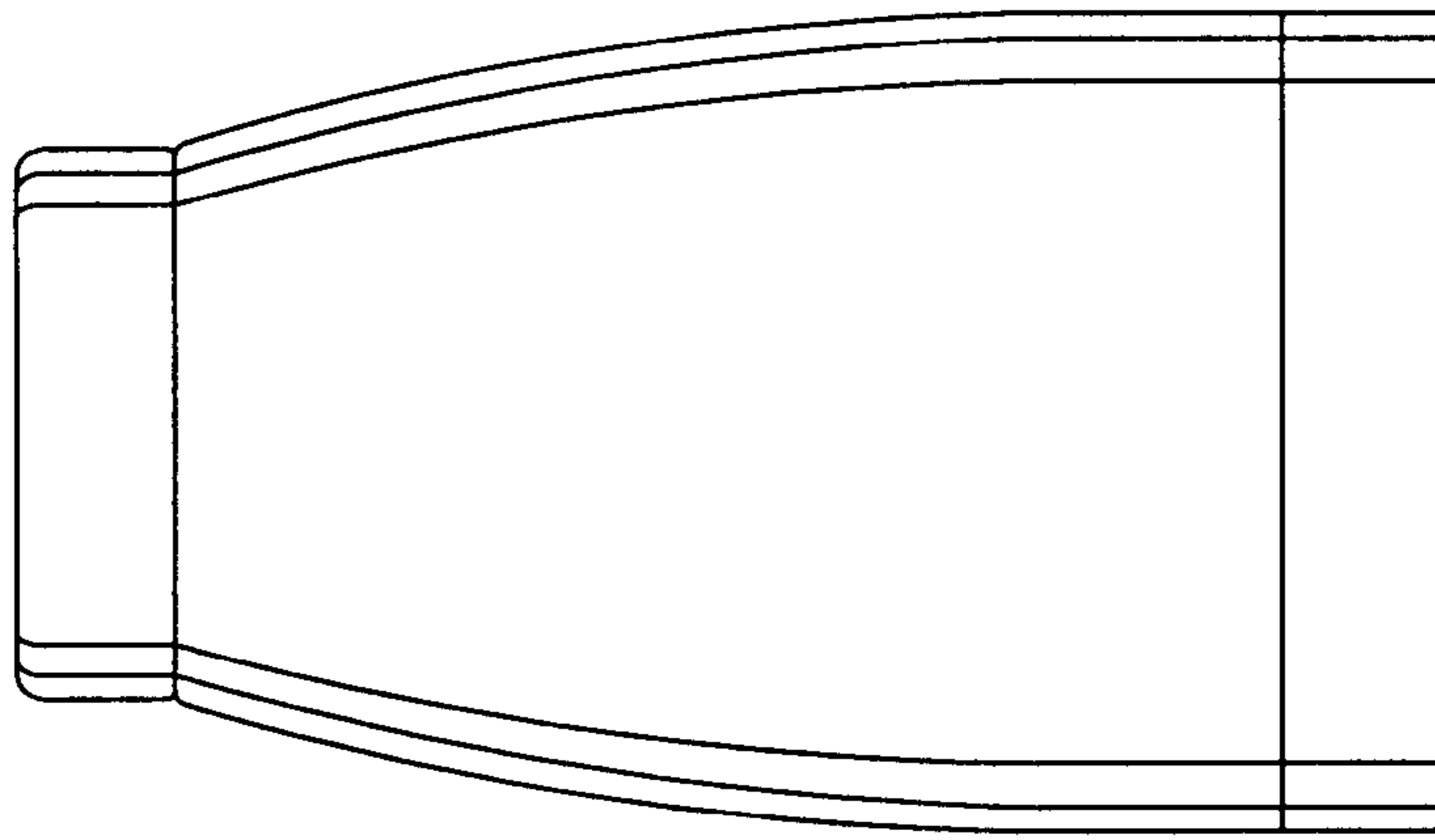


FIG. 3

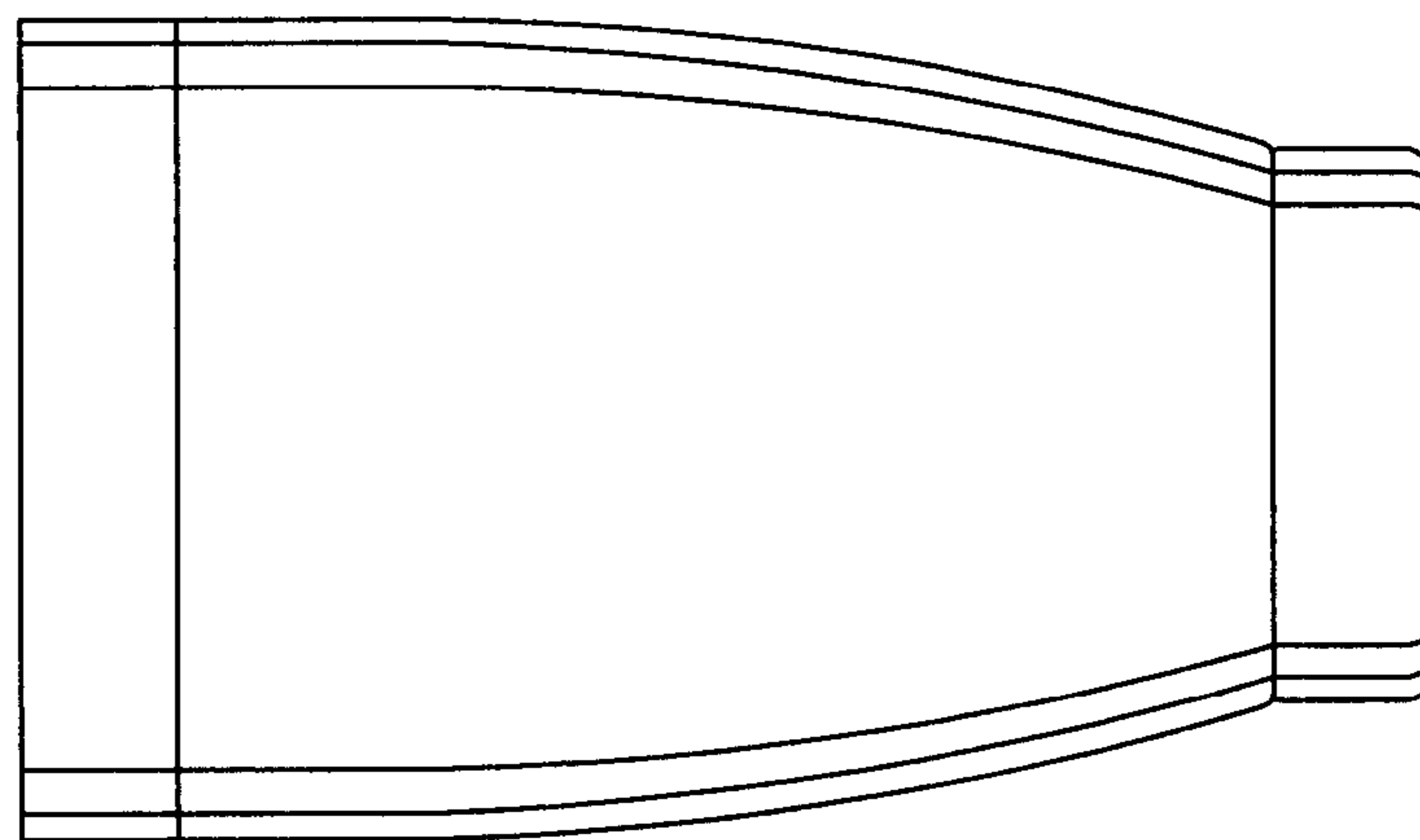


FIG. 4

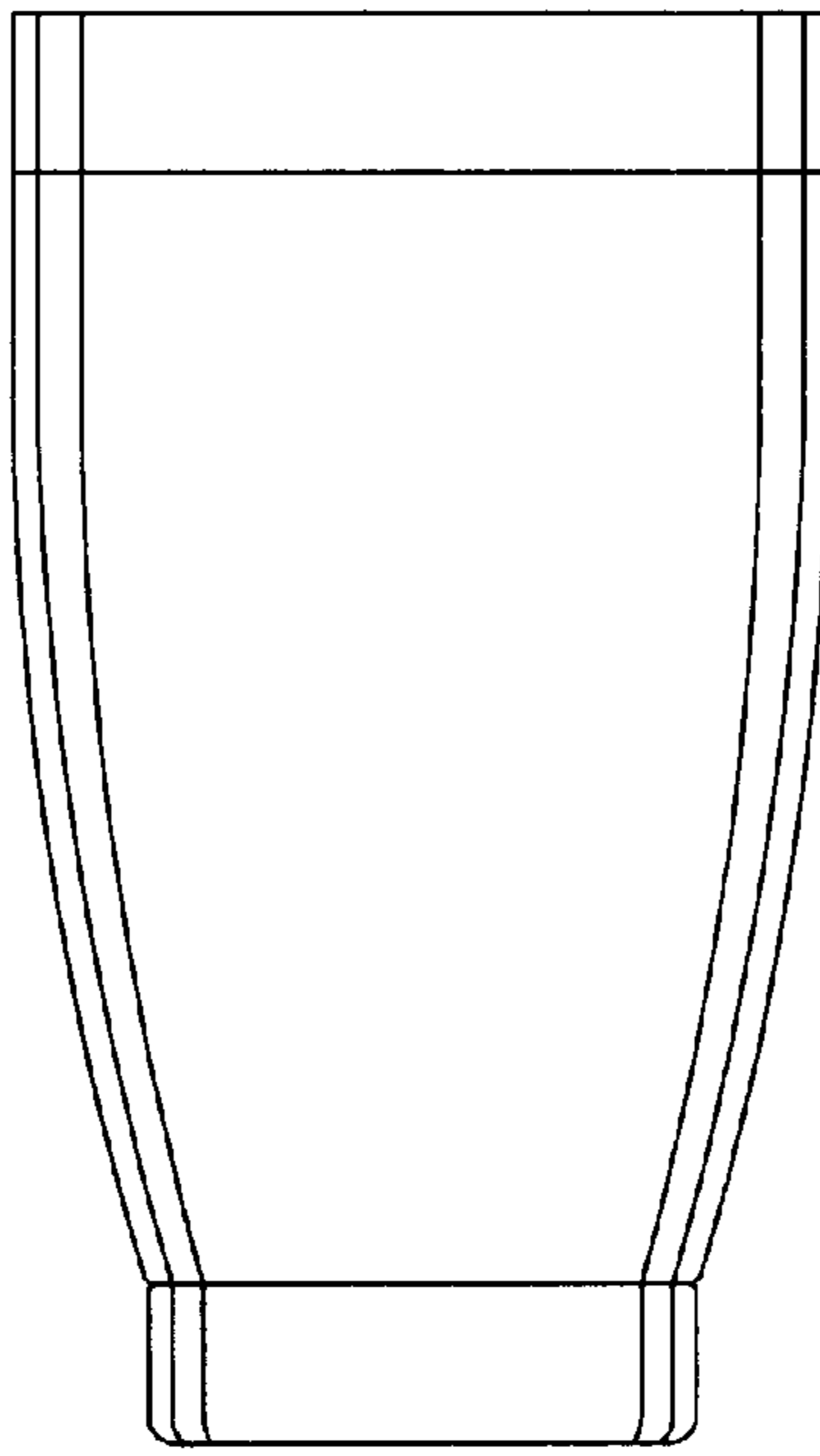


FIG. 5

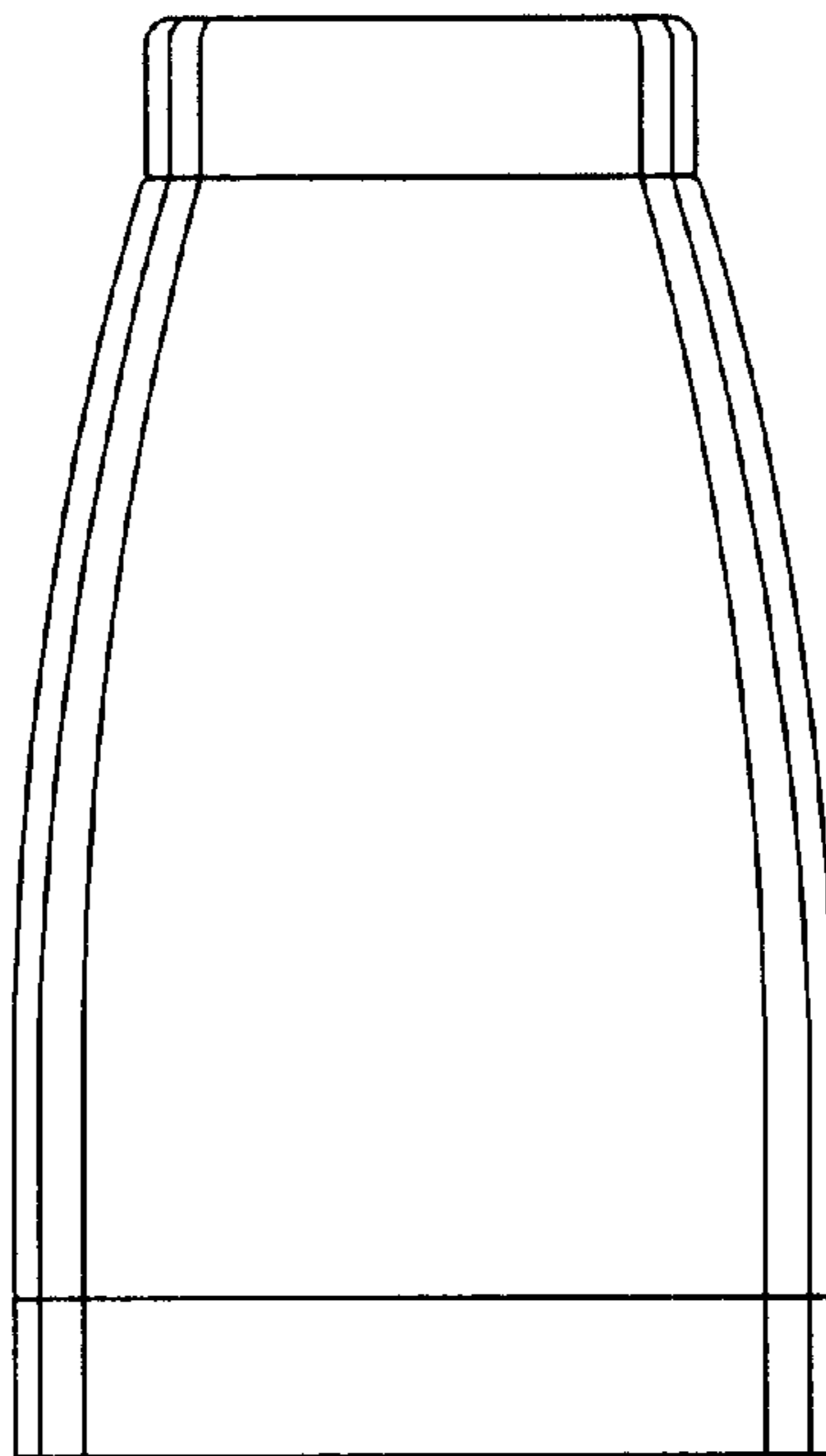


FIG. 6

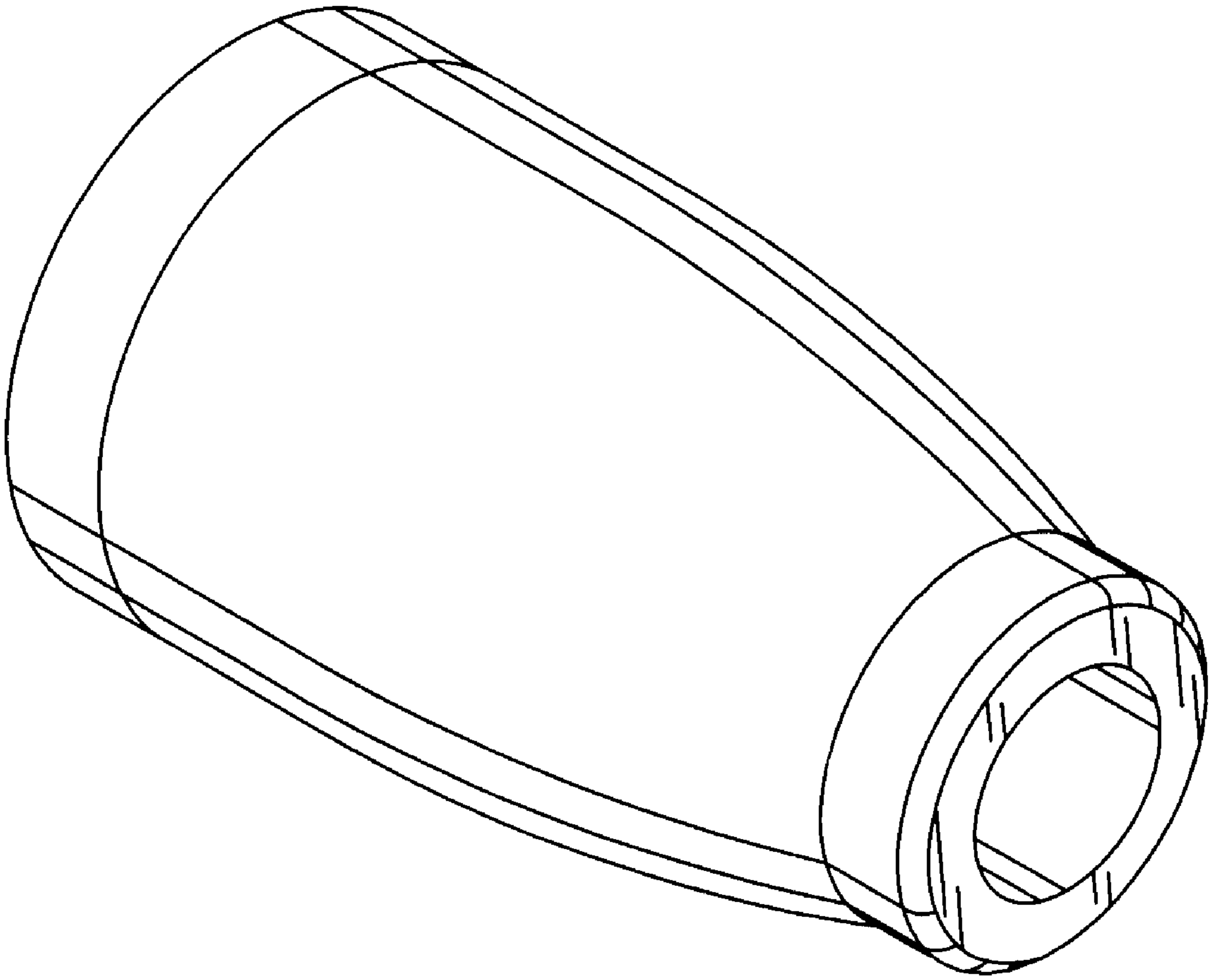


FIG. 7