



US00D467106S

(12) **United States Design Patent**  
**Bohay**

(10) **Patent No.:** **US D467,106 S**

(45) **Date of Patent:** **\*\* Dec. 17, 2002**

(54) **TOILET TISSUE ROLL CONTAINER**

*Primary Examiner*—Brian N. Vinson

(76) Inventor: **Larry J Bohay**, Box 1906, Fort Nelson BC (CA), V0C 1R0

(57) **CLAIM**

(\*\*) Term: **14 Years**

The ornamental design for a toilet tissue roll container, as shown and described.

(21) Appl. No.: **29/139,068**

**DESCRIPTION**

(22) Filed: **Mar. 23, 2001**

(51) **LOC (7) Cl.** ..... **23-02**

FIG. 1 is an exploded front elevational view of a toilet tissue container showing my new design;

(52) **U.S. Cl.** ..... **D6/523**

FIG. 2 is an exploded rear elevational view thereof;

(58) **Field of Search** ..... D6/515-523; 206/389, 206/391; 211/13.1; 221/26, 33, 282; 222/173; 242/570, 598, 595, 588, 588.1, 588.6; 312/34.1, 34.8

FIG. 3 is an exploded left side elevational view thereof, the right side being a mirror image of that shown;

FIG. 4 is an exploded top plan view thereof;

FIG. 5 is an exploded bottom plan view thereof;

(56) **References Cited**

**U.S. PATENT DOCUMENTS**

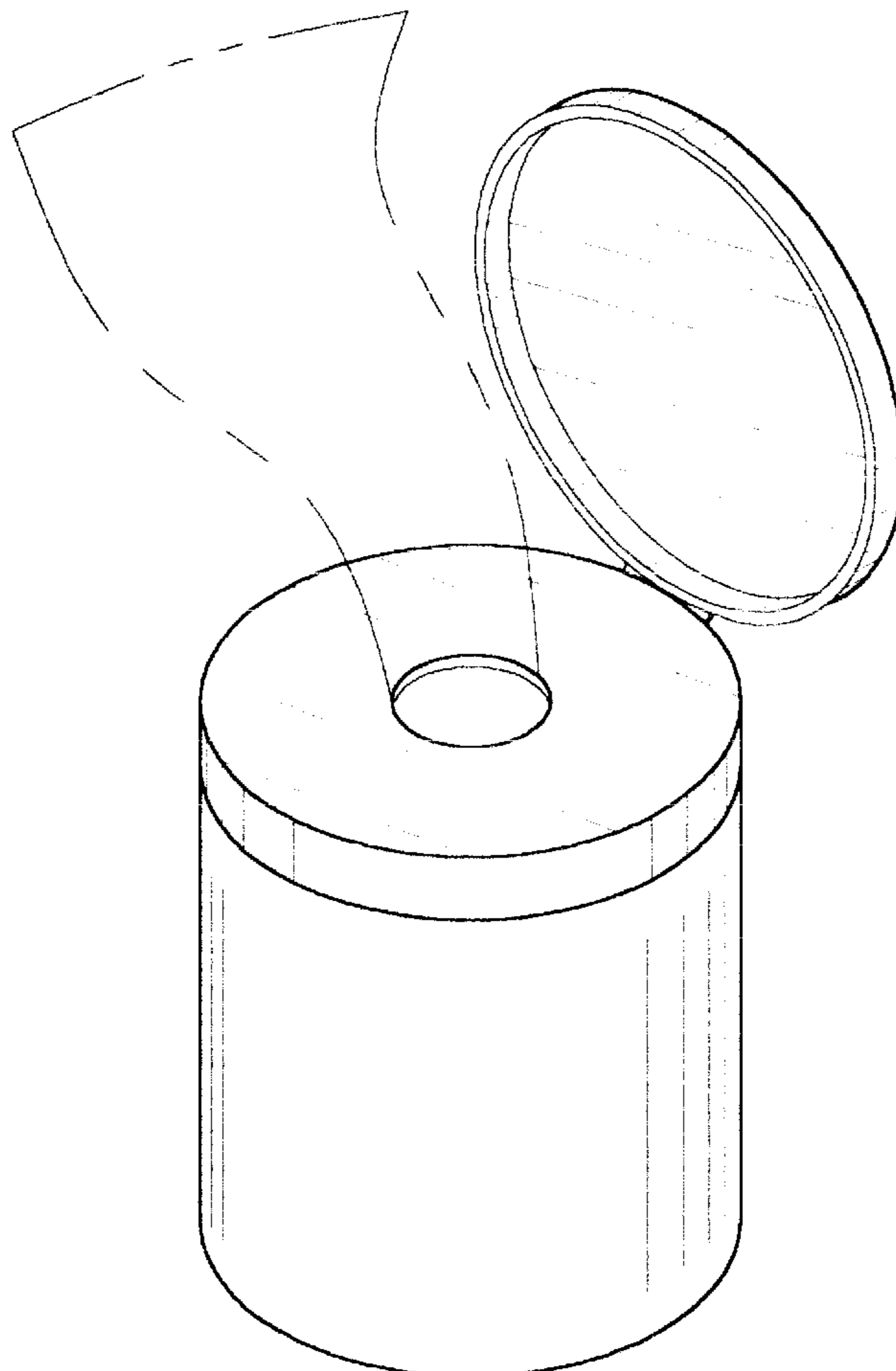
4,004,687	A	*	1/1977	Boone	.....	242/595	X
4,462,507	A	*	7/1984	Margulies	.....	206/389	X
4,615,442	A	*	10/1986	Beeken	.....	242/588	X
4,936,452	A	*	6/1990	Pauley	.....	242/588.6	
6,056,235	A	*	5/2000	Brozinsky	.....	242/598.6	
6,145,782	A	*	11/2000	King et al.	.....	312/34.8	X

FIG. 6 is an enlarged vertical cross-sectional view thereof, taken through the center of the bottom portion of the container; and,

FIG. 7 is an enlarged top, front, perspective view thereof, with the broken-line disclosure of toilet paper being for illustrative purposes only and forming no part of the claimed design.

\* cited by examiner

**1 Claim, 5 Drawing Sheets**



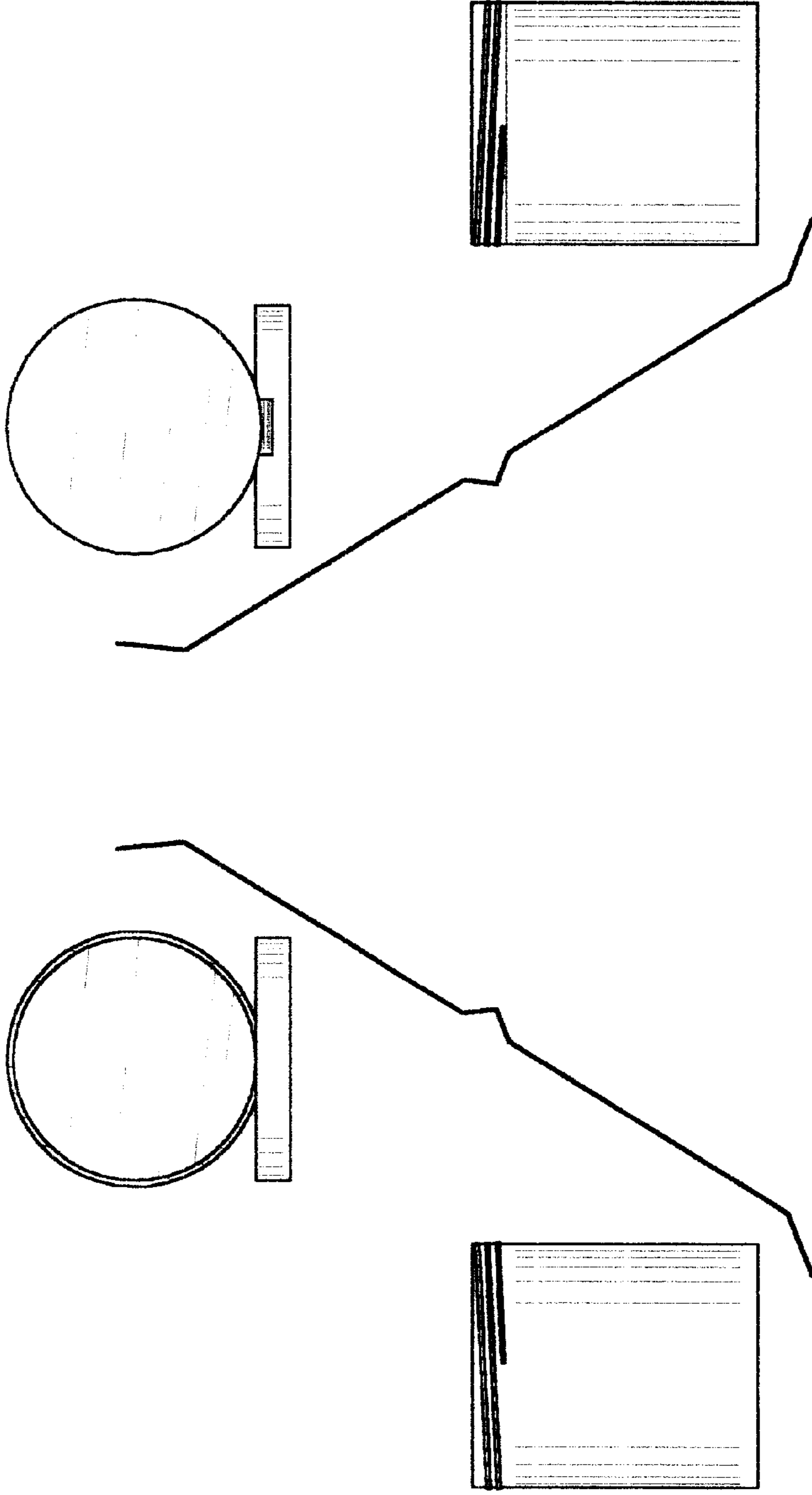


FIG. 2

FIG. 1

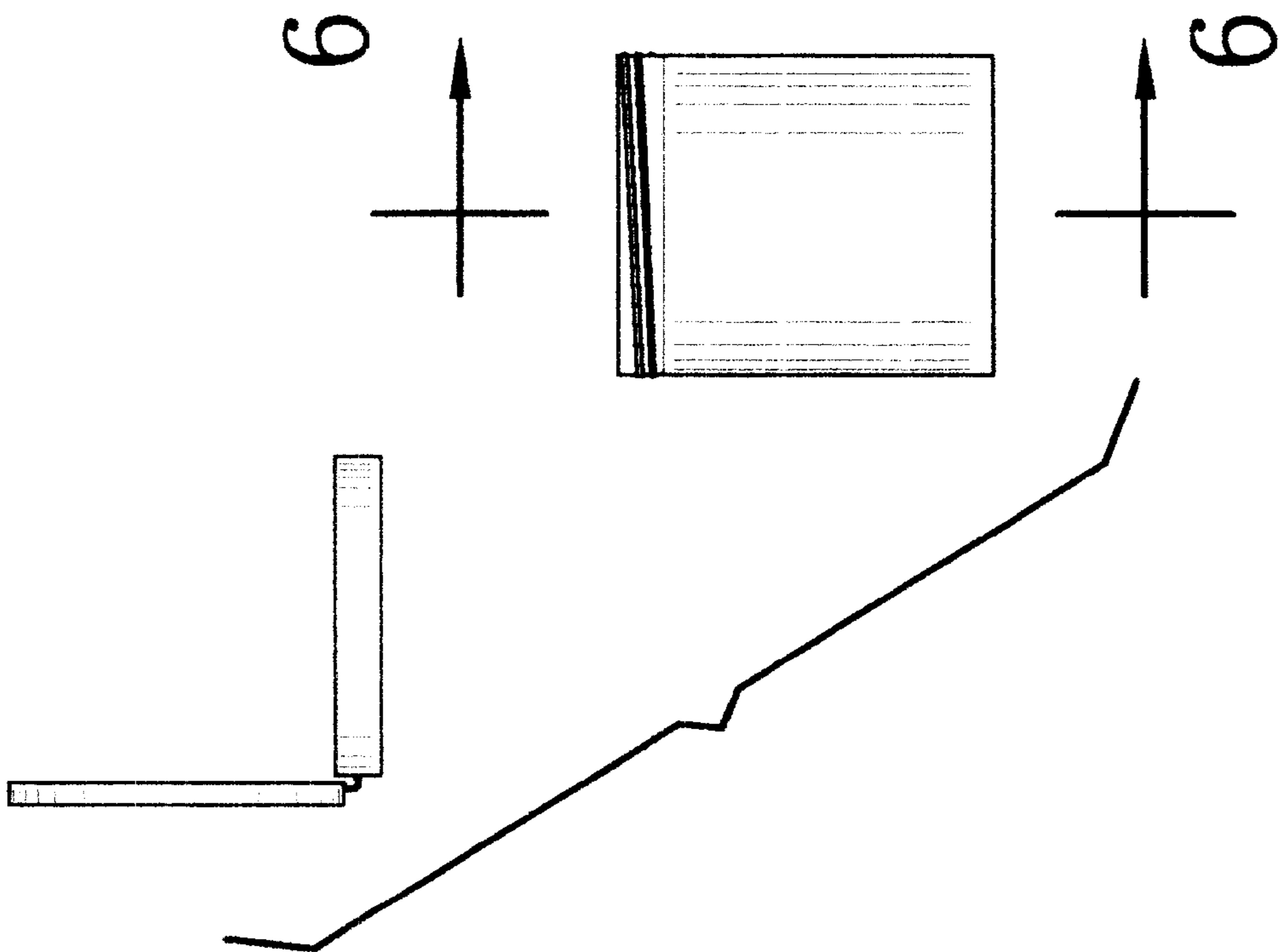


FIG. 3

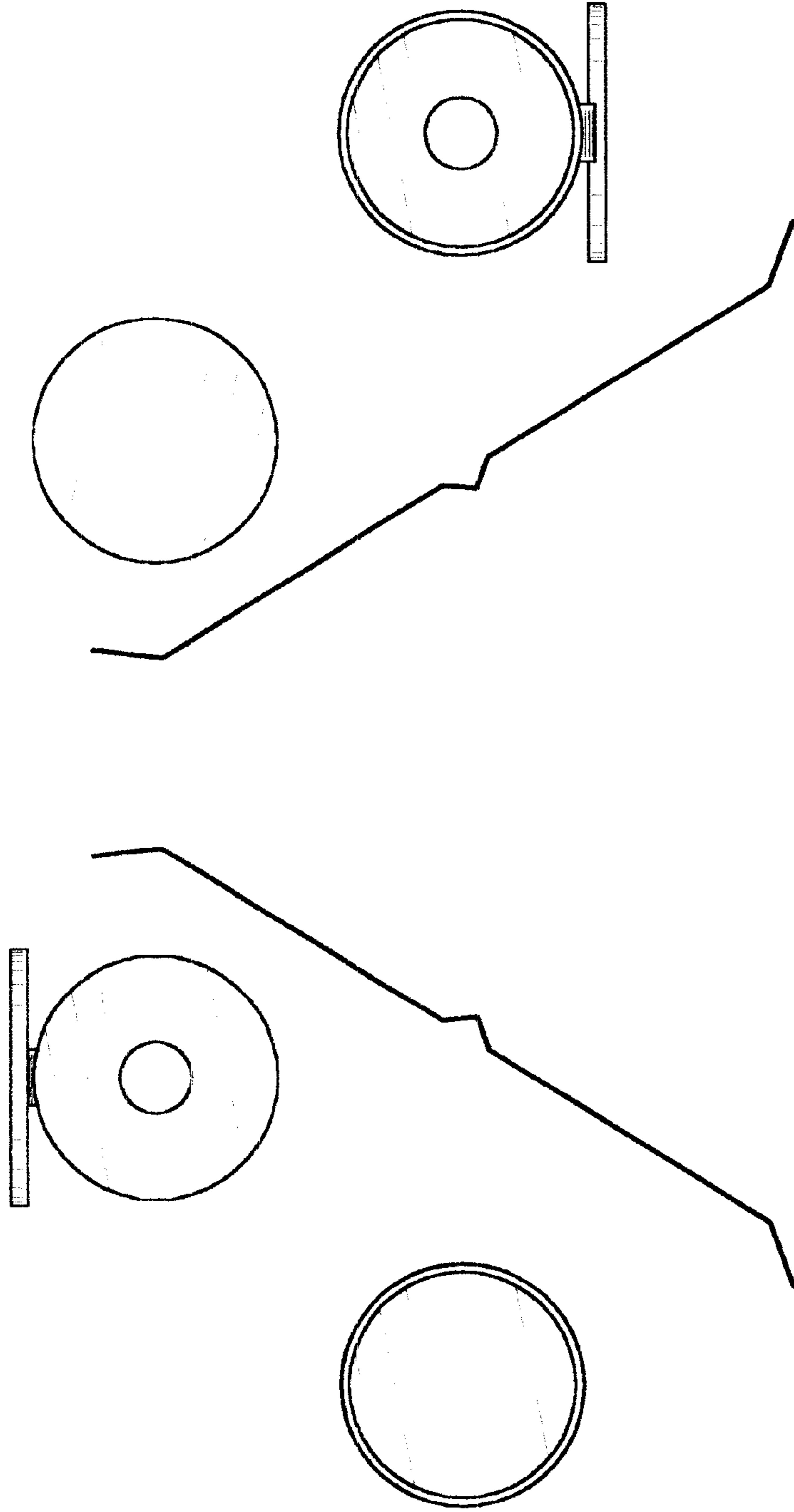


FIG. 4

FIG. 5



FIG. 6

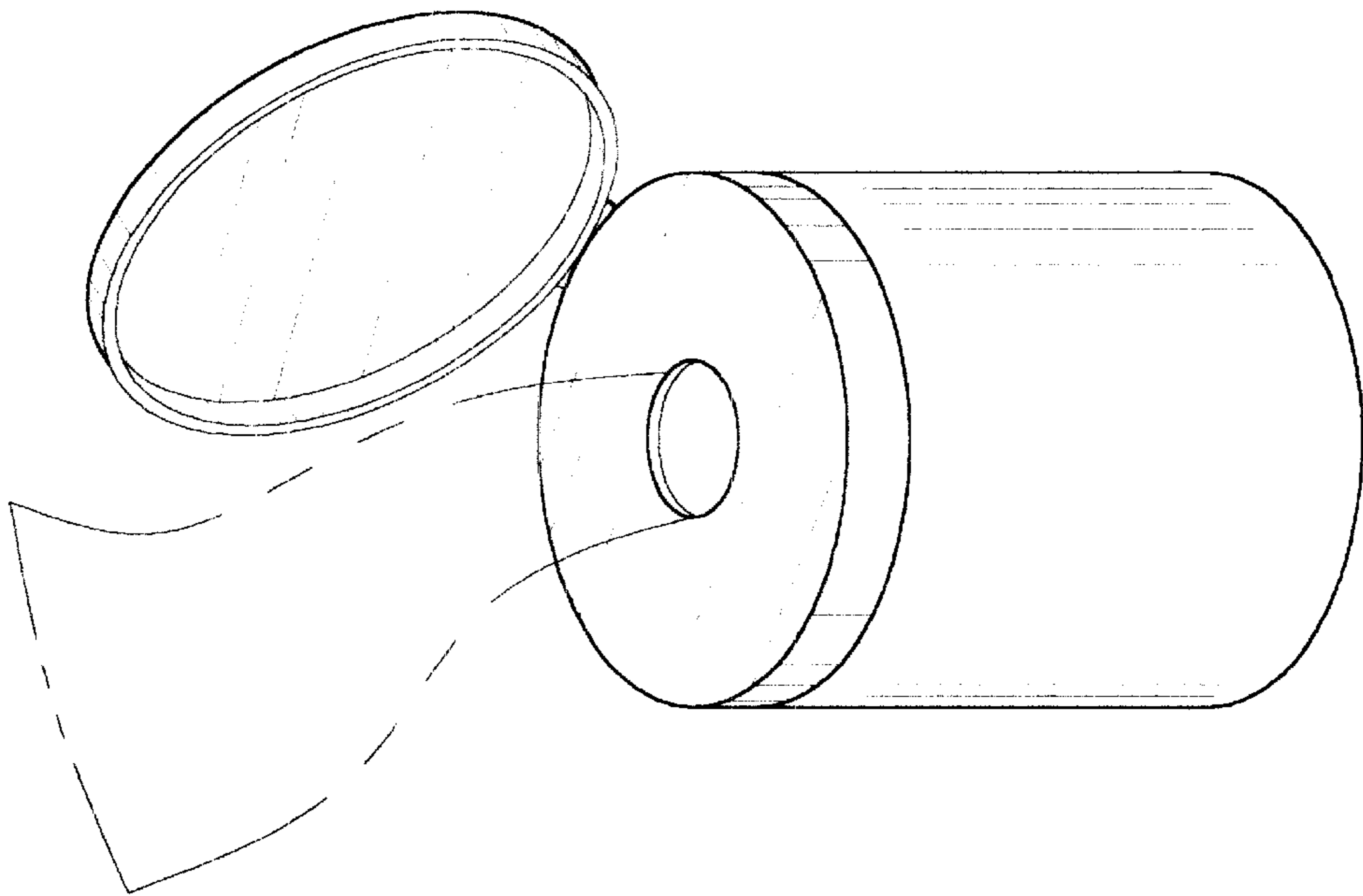


FIG. 7