



US00D467103S

(12) **United States Design Patent**
Koepke et al.

(10) **Patent No.:** **US D467,103 S**

(45) **Date of Patent:** **** Dec. 17, 2002**

(54) **CHAIR ARM**

(75) Inventors: **Marcus C. Koepke**, Indianapolis, IN
(US); **Matthew J. Phillips**, Muscatine,
IA (US)

(73) Assignee: **HON Technology Inc.**, Muscatine, IA
(US)

(**) Term: **14 Years**

(21) Appl. No.: **29/143,572**

(22) Filed: **Jun. 15, 2001**

(51) **LOC (7) Cl.** **06-06**

(52) **U.S. Cl.** **D6/501; D6/366**

(58) **Field of Search** D6/334, 364, 365,
D6/366, 367, 379, 500, 501, 502; 297/411.2,
411.27, 411.36

(56) **References Cited**

U.S. PATENT DOCUMENTS

- D373,274 S * 9/1996 James D6/501
- D397,889 S * 9/1998 Stumpf D6/501
- D410,151 S * 5/1999 Chu D6/366
- D411,396 S * 6/1999 Stumpf D6/501

- D417,349 S * 12/1999 Donati D6/501
- D426,966 S * 6/2000 Chu D6/366
- D440,437 S * 4/2001 Beaulieu D6/501
- D446,062 S * 8/2001 Su D6/501
- D450,958 S * 11/2001 Beaulieu D6/501
- D451,293 S * 12/2001 Su D6/366

* cited by examiner

Primary Examiner—Gary D. Watson

(74) *Attorney, Agent, or Firm*—Jones, Day, Reavis & Pogue

(57) **CLAIM**

The ornamental design for a chair arm, as shown.

DESCRIPTION

FIG. 1 is a left, front perspective view of a chair arm showing our new design;
 FIG. 2 is a front view thereof;
 FIG. 3 is a left side view thereof;
 FIG. 4 is a rear view thereof;
 FIG. 5 is a right side view thereof;
 FIG. 6 is a top view thereof; and,
 FIG. 7 is a bottom view thereof.

1 Claim, 2 Drawing Sheets

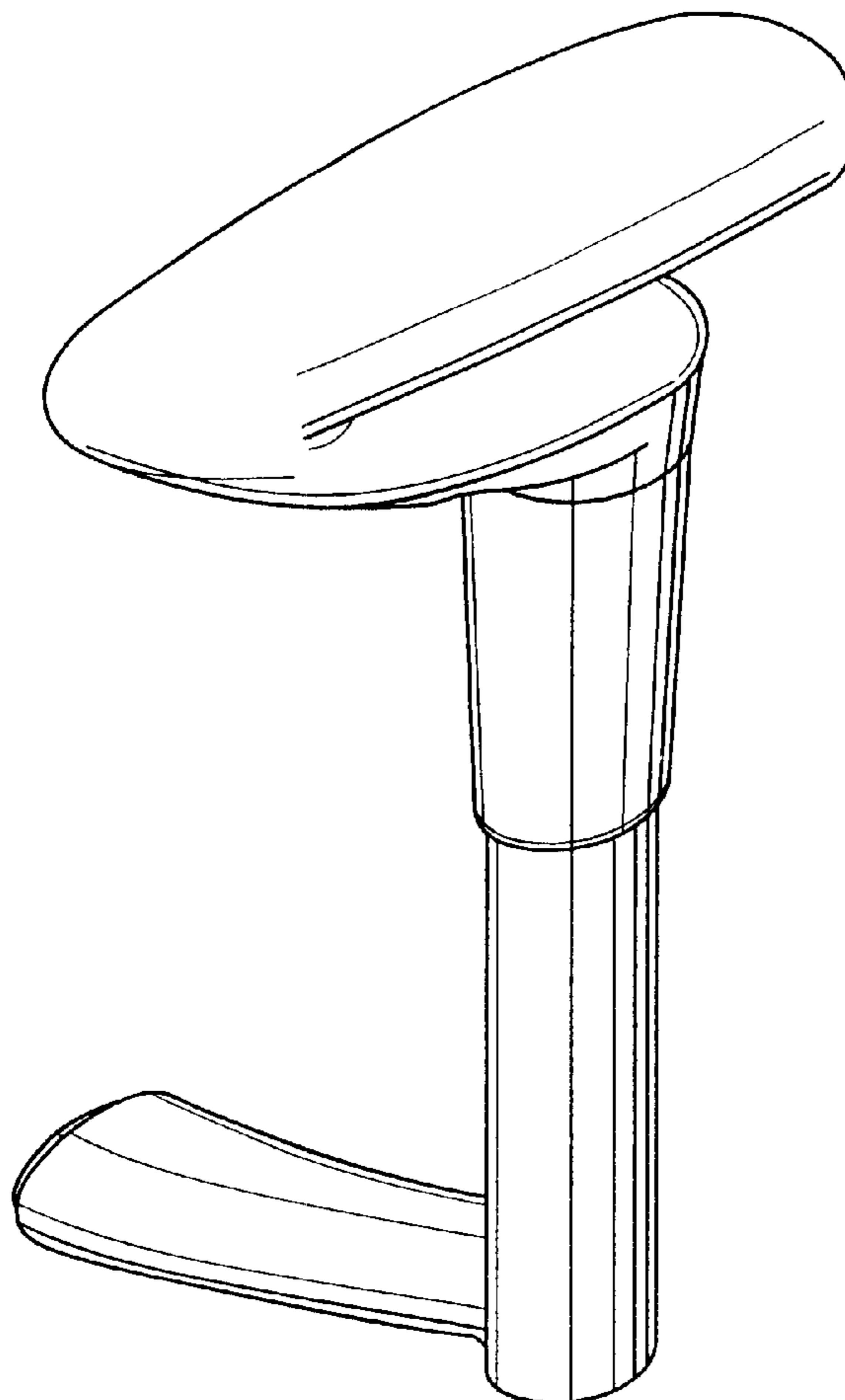


Fig. 1

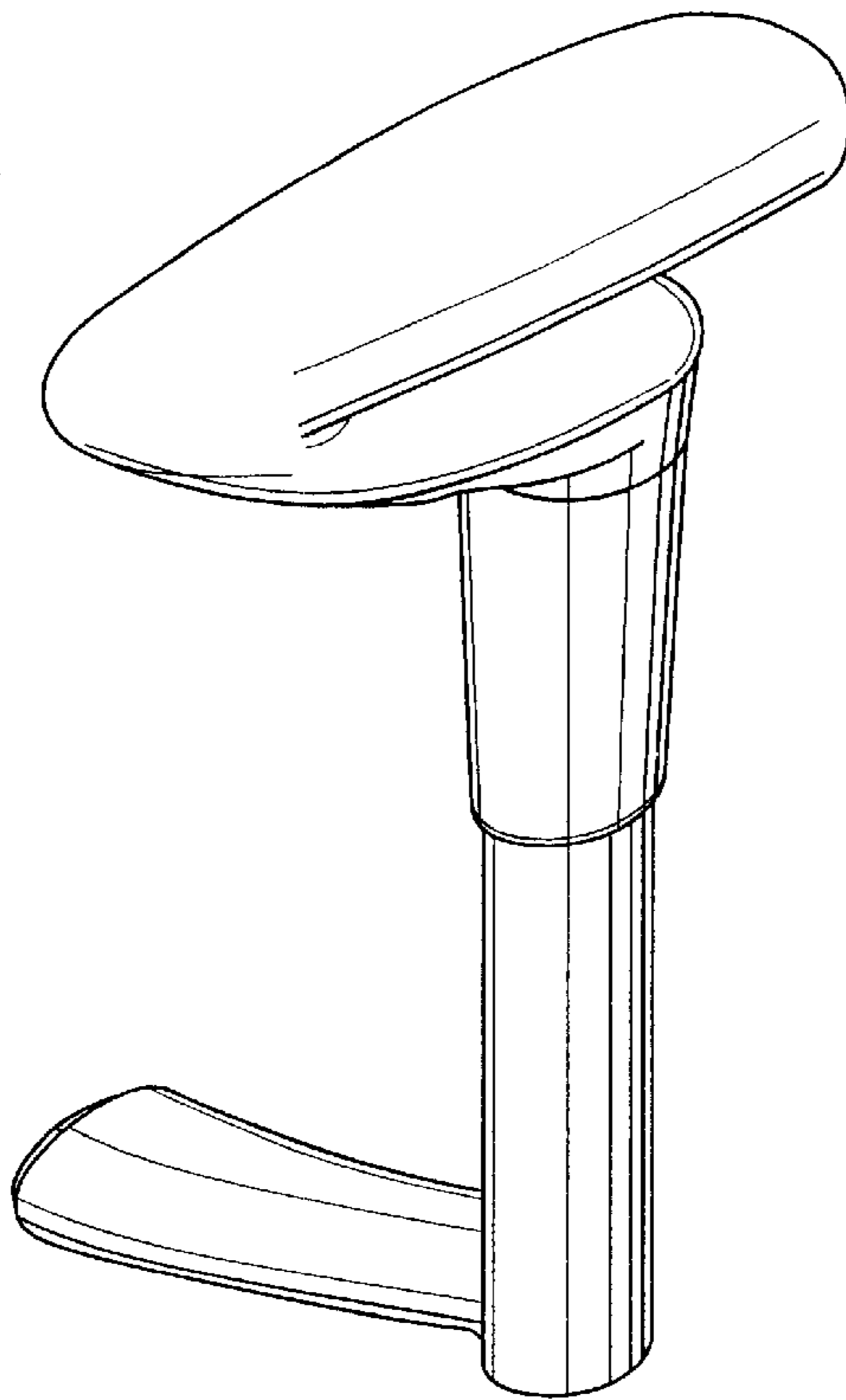


Fig. 2

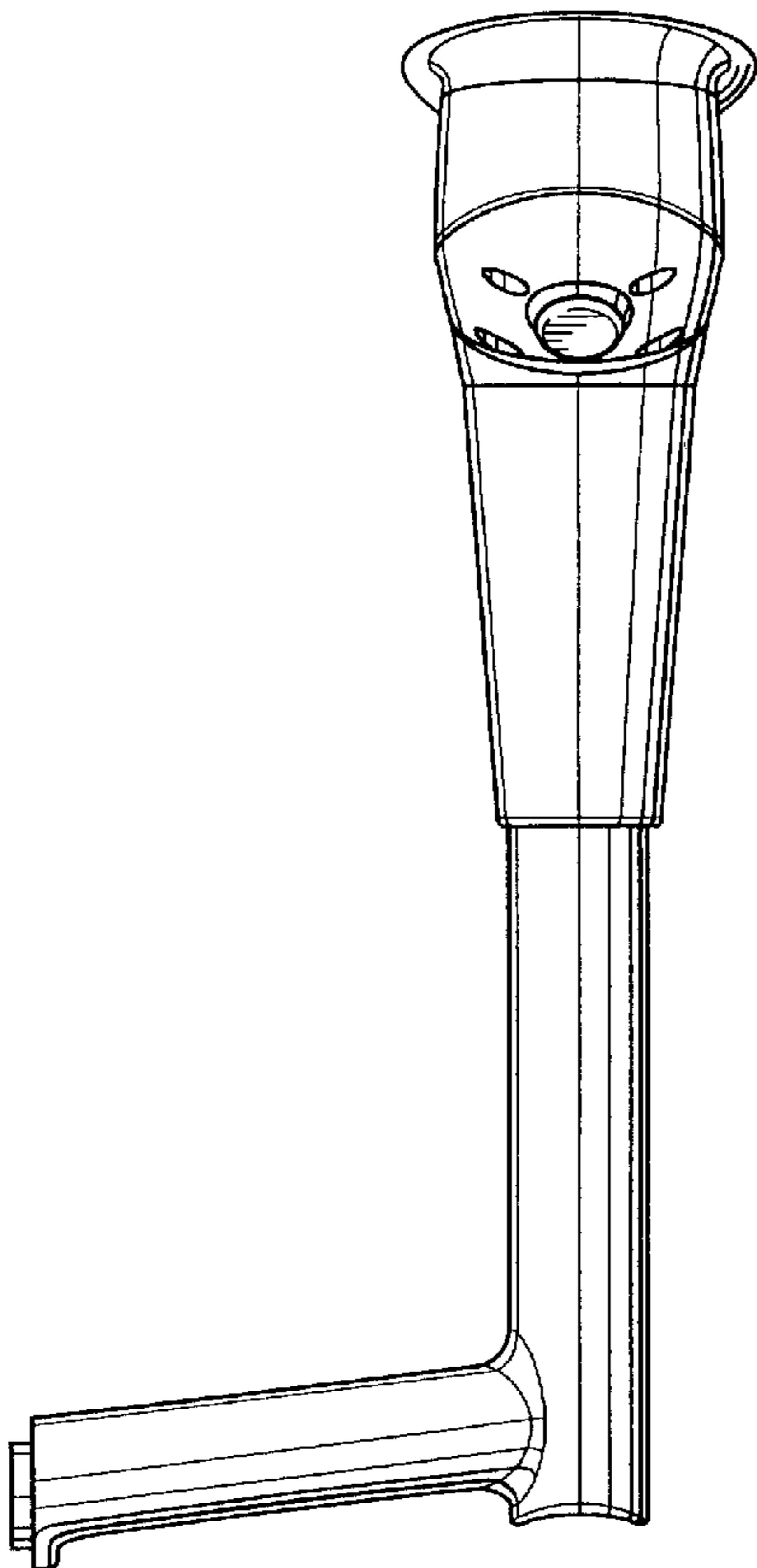


Fig. 3

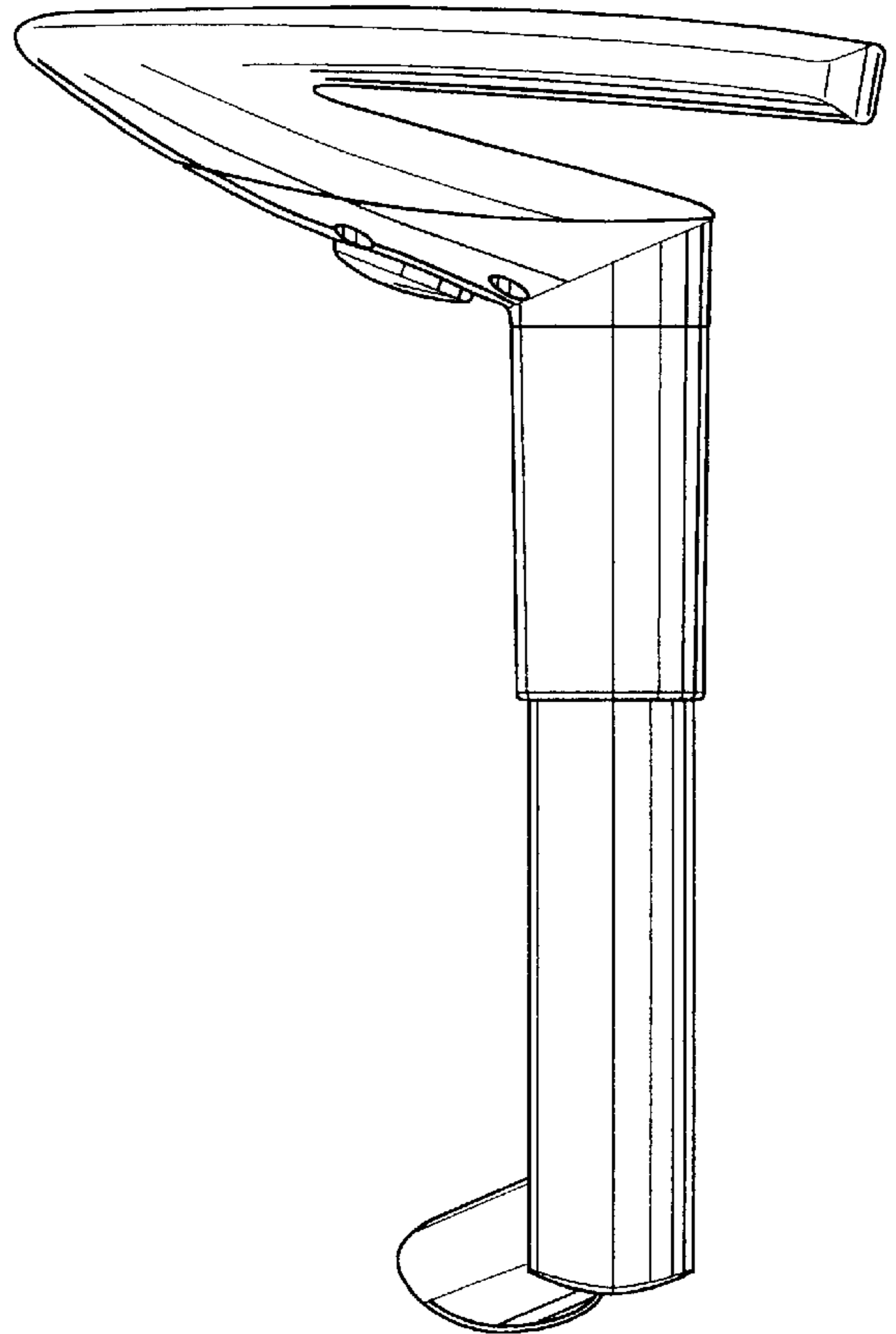


Fig. 4

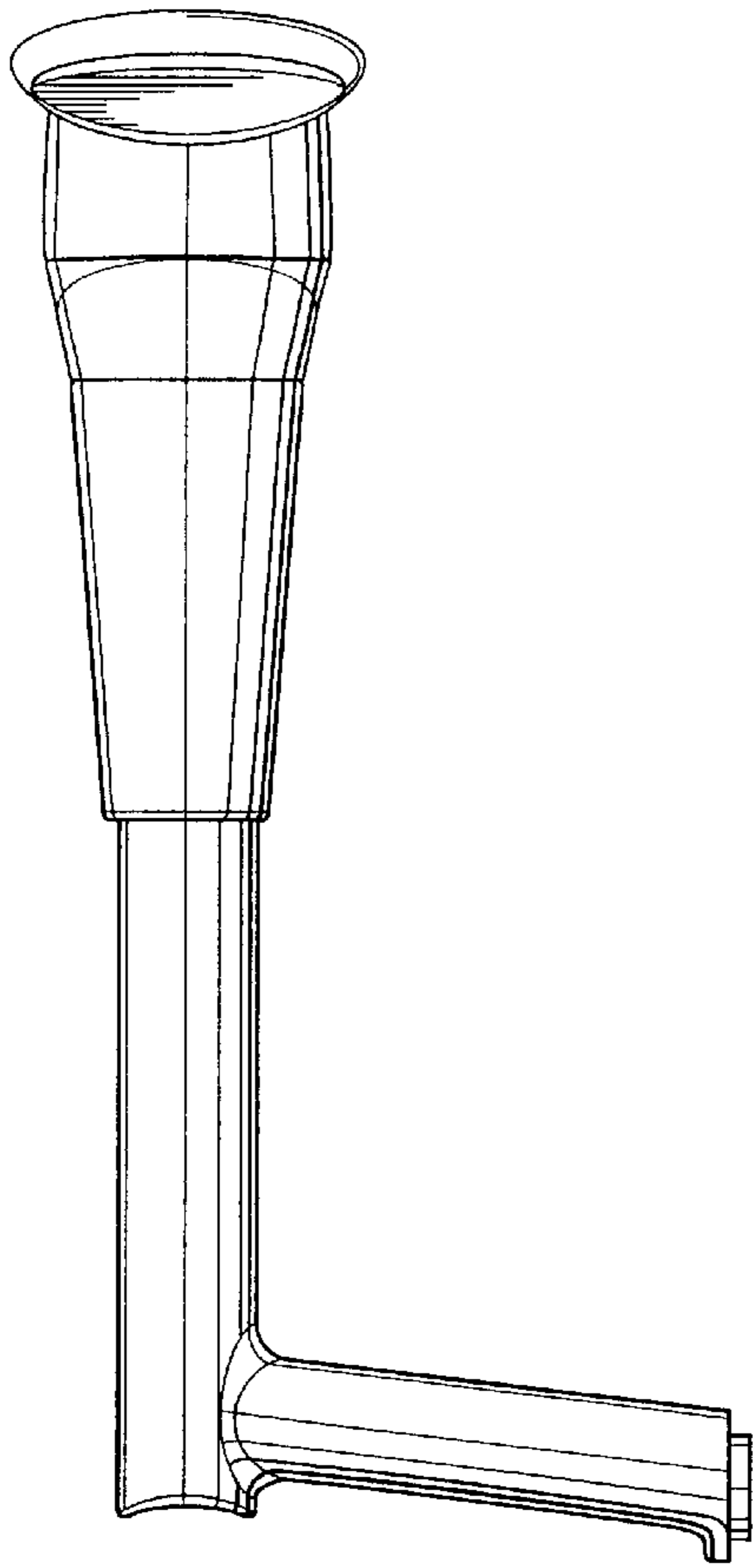


Fig. 5

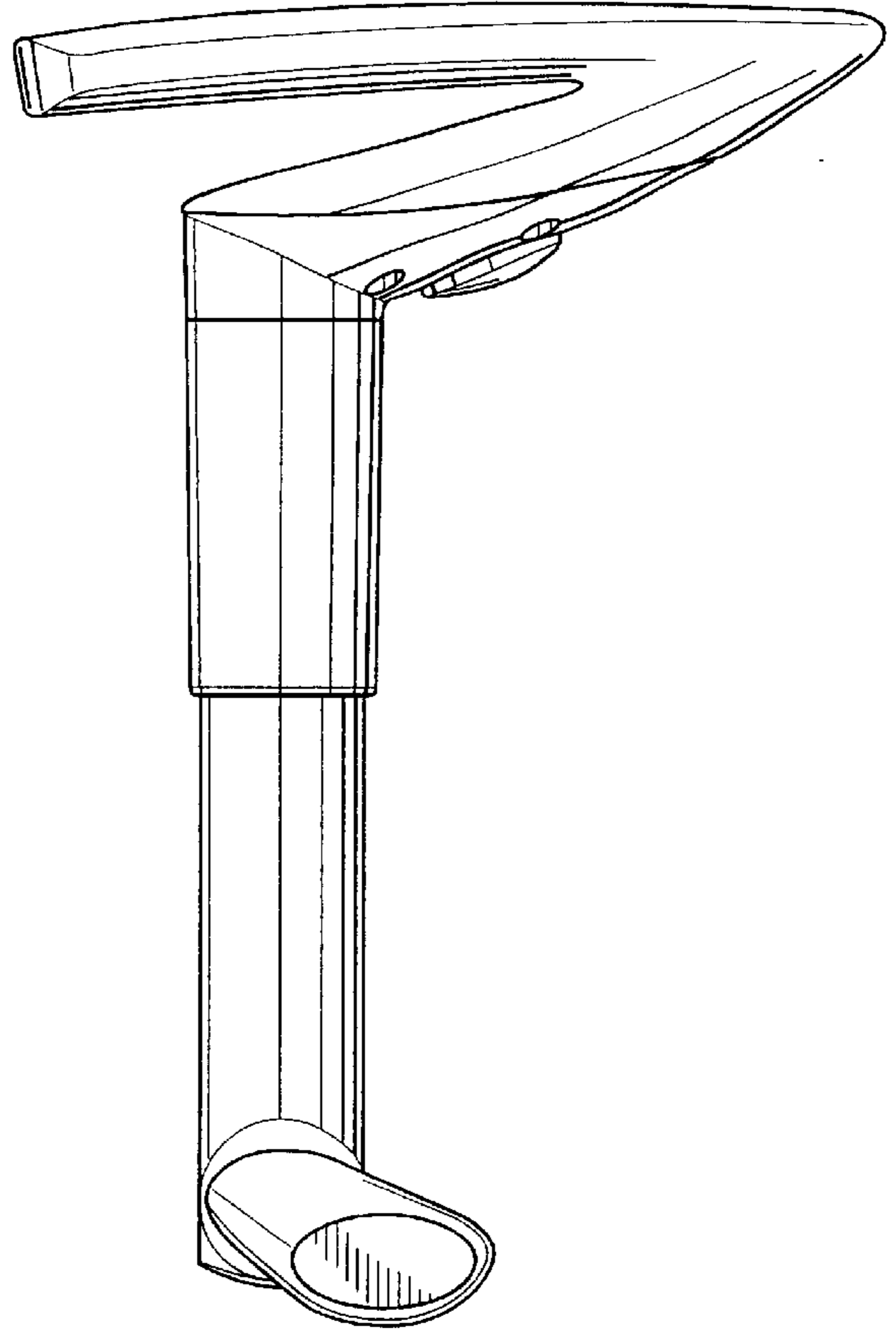


FIG. 6

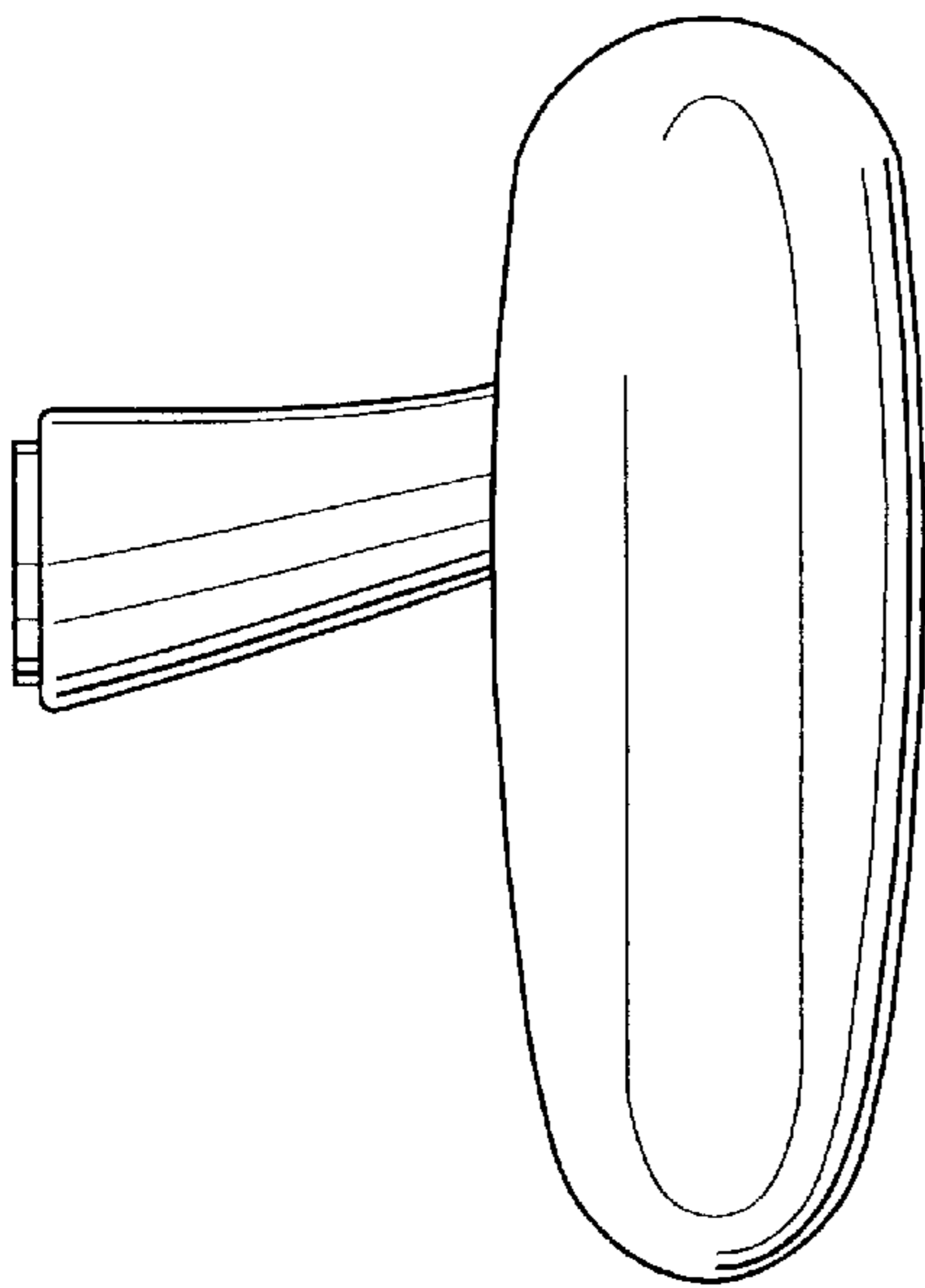


FIG. 7

