



US00D467100S

(12) **United States Design Patent**  
**Hand**

(10) **Patent No.:** **US D467,100 S**

(45) **Date of Patent:** **\*\* Dec. 17, 2002**

(54) **BLUEPRINT DISPLAY TABLE**

(75) **Inventor:** **Karen Ann Hand**, 2483 NW. 25th St.,  
Boca Raton, FL (US) 33431

(73) **Assignee:** **Karen Ann Hand**, Boca Raton, FL  
(US)

(\*\*) **Term:** **14 Years**

(21) **Appl. No.:** **29/152,266**

(22) **Filed:** **Dec. 19, 2001**

(51) **LOC (7) Cl.** ..... **06-03**

(52) **U.S. Cl.** ..... **D6/485**

(58) **Field of Search** ..... D6/480-489, 495-499,  
D6/429-431, 420; 108/150, 153.1, 156,  
157.1, 161, 115, 121, 157.14, 132, 134;  
248/188, 188.1

(56) **References Cited**

**U.S. PATENT DOCUMENTS**

1,568,167 A \* 1/1926 Kunkle ..... 108/121

D123,806 S \* 12/1940 Griese ..... D6/420  
D212,623 S \* 11/1968 Rubenstein ..... D6/485  
D234,662 S \* 4/1975 Stiene ..... D6/483

\* cited by examiner

*Primary Examiner*—Janice E. Seeger

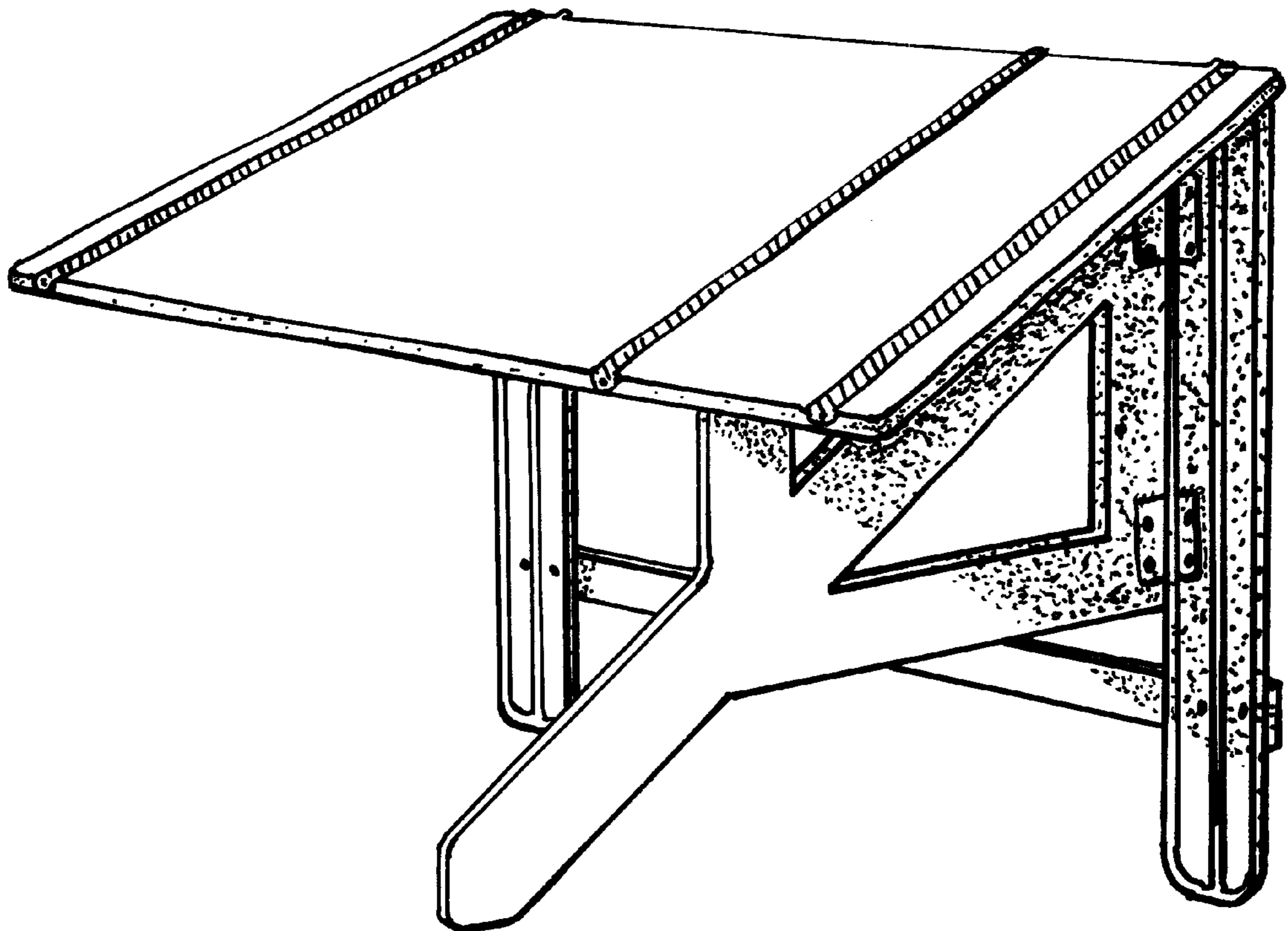
(57) **CLAIM**

The ornamental design for a blueprint display table, as shown and described.

**DESCRIPTION**

FIG. 1 is a perspective view of the blueprint display table showing my new design;  
FIG. 2 is a top view thereof;  
FIG. 3 is a right side elevation view thereof;  
FIG. 4 is a left side elevation view thereof;  
FIG. 5 is a front elevation view thereof;  
FIG. 6 is a rear elevation view thereof; and,  
FIG. 7 is a folded view thereof.

**1 Claim, 3 Drawing Sheets**



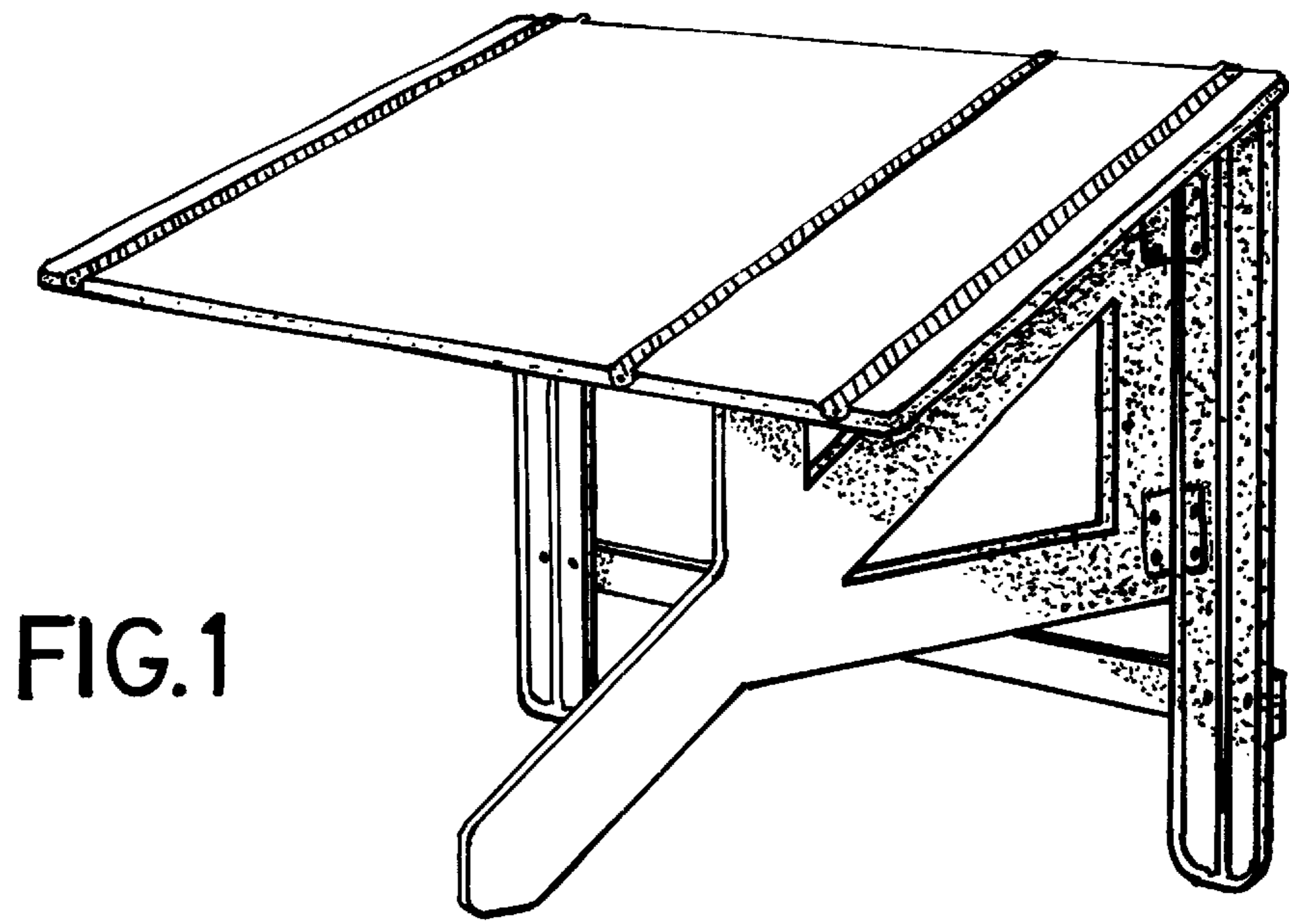


FIG. 1

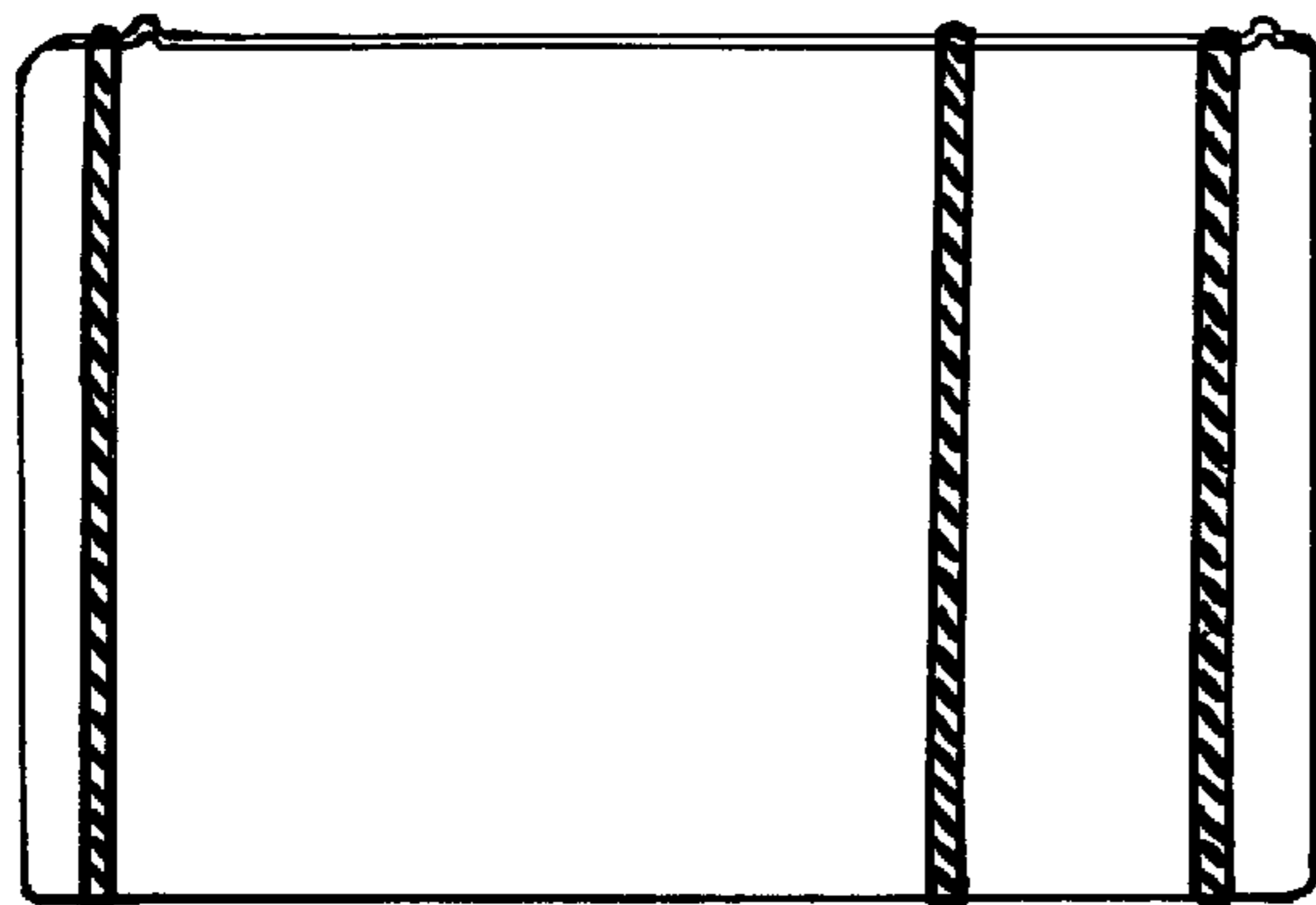


FIG. 2

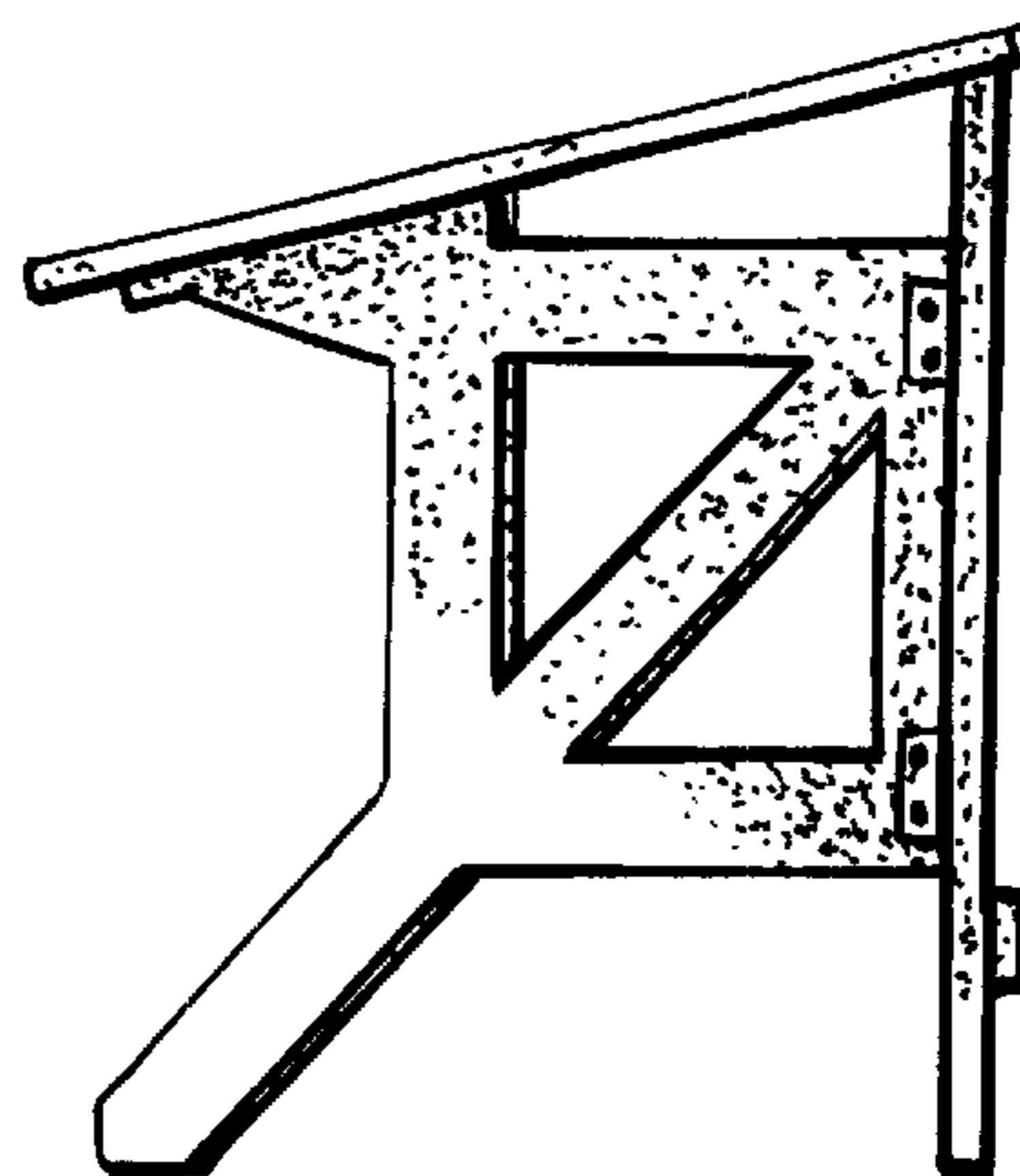


FIG. 3

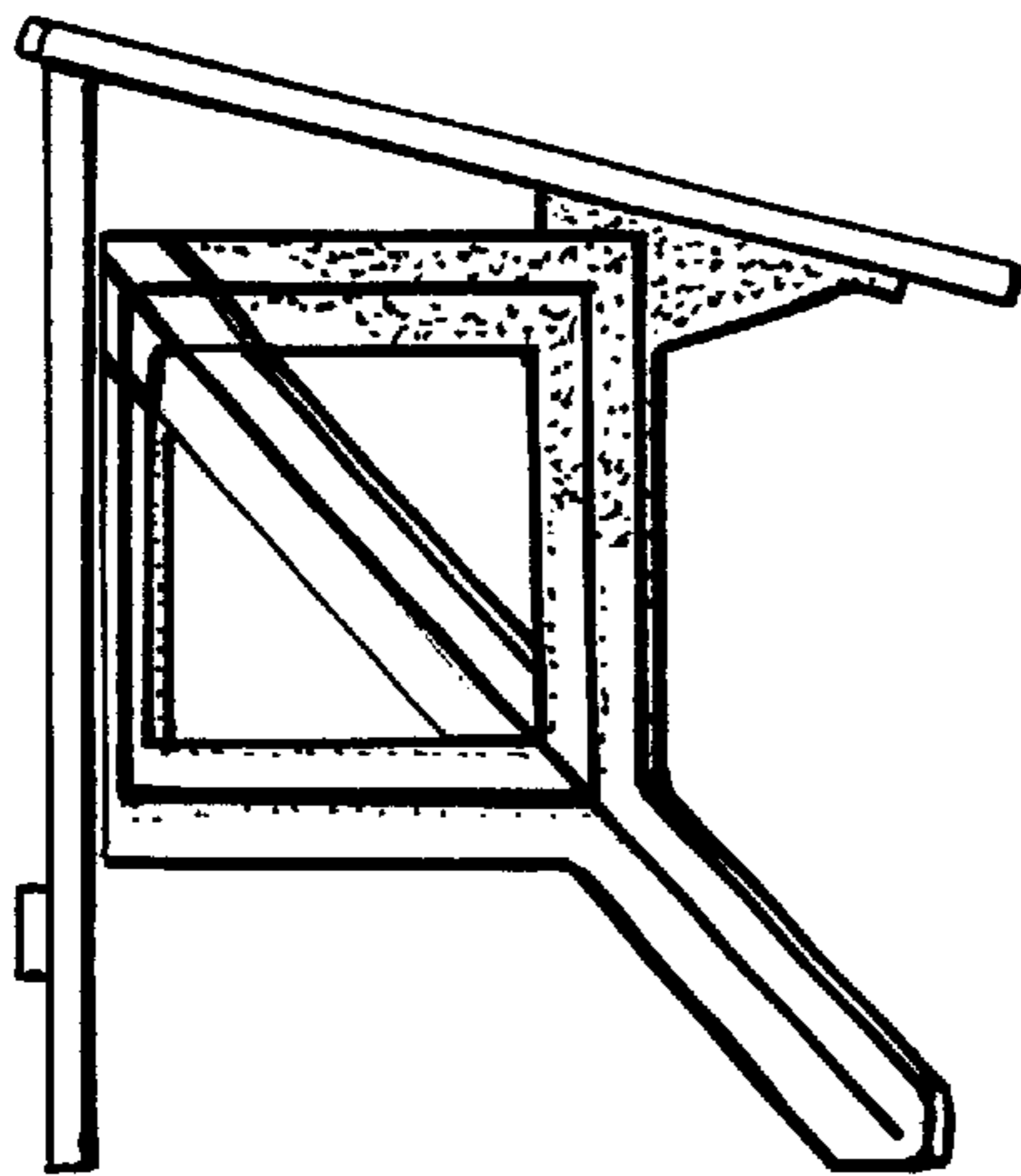


FIG. 4

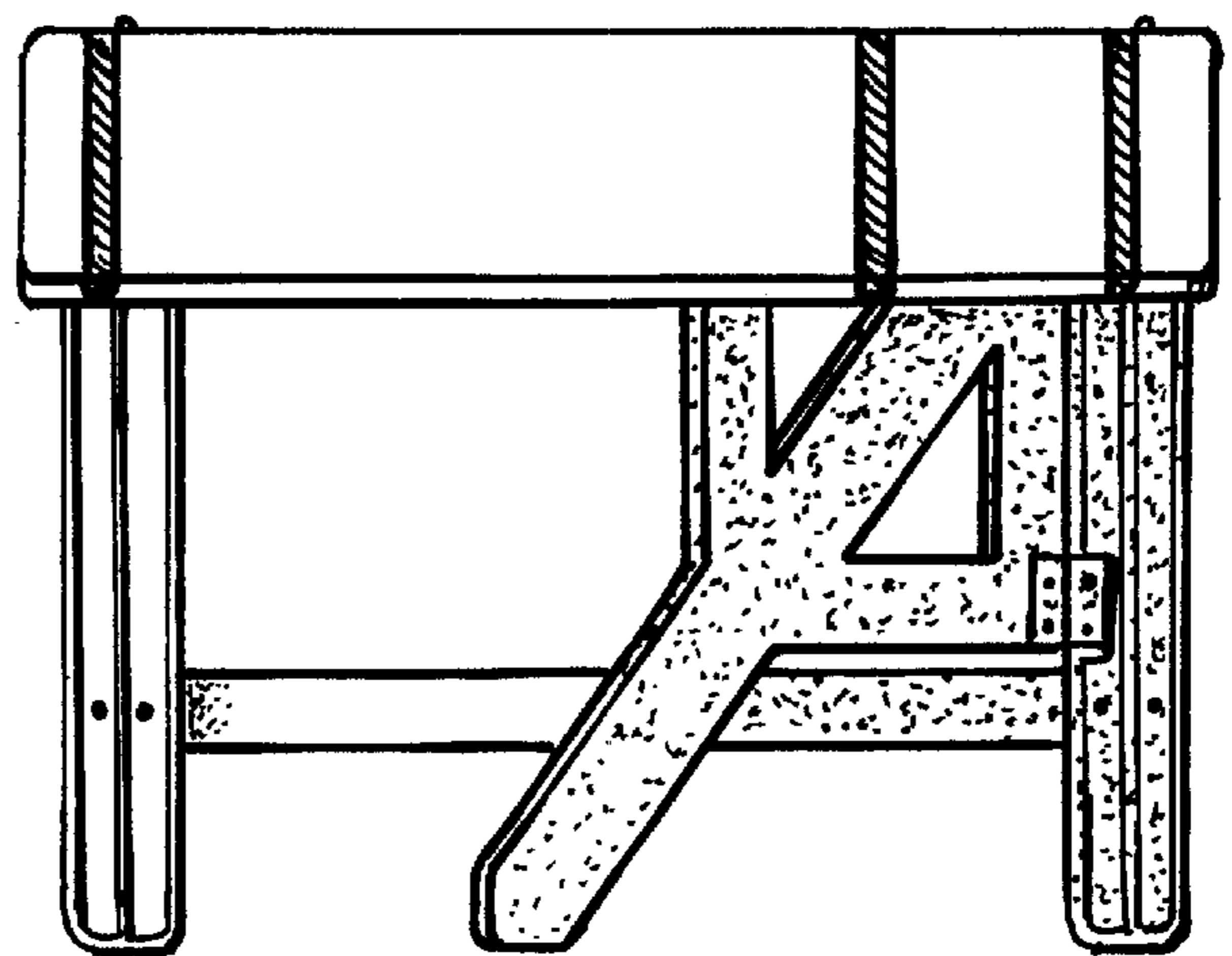


FIG. 5

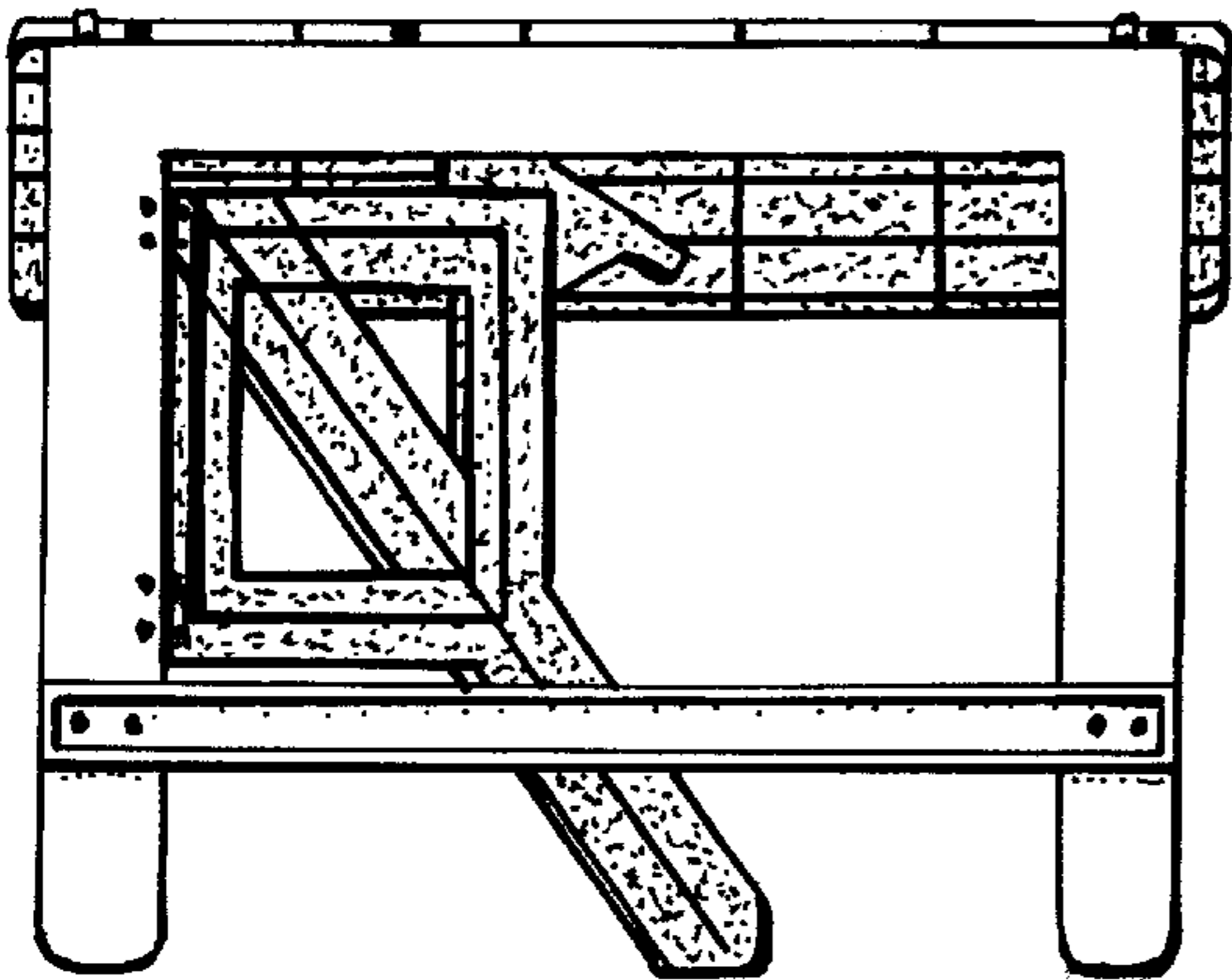


FIG. 6

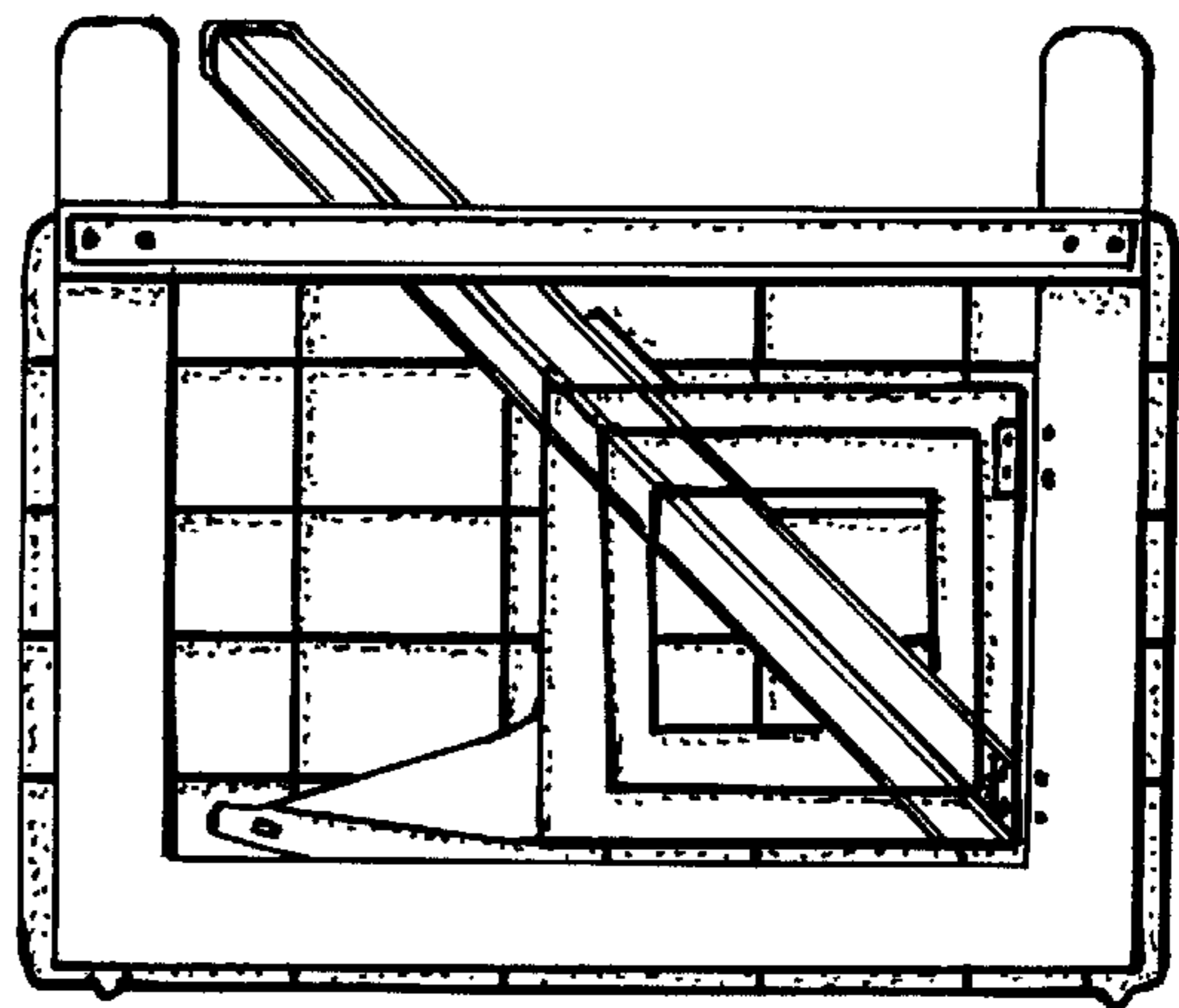


FIG. 7