



US00D467098S

(12) **United States Design Patent**
Linz

(10) **Patent No.:** **US D467,098 S**

(45) **Date of Patent:** **** Dec. 17, 2002**

(54) **DISPLAY FIXTURE COMPONENT**

(75) **Inventor:** **Arthur W. Linz**, Boonton Township,
NJ (US)

(73) **Assignee:** **Merchandising Display Corp.**,
Boonton Township, NJ (US)

(**) **Term:** **14 Years**

(21) **Appl. No.:** **29/148,000**

(22) **Filed:** **Sep. 13, 2001**

(51) **LOC (7) Cl.** **06-04**

(52) **U.S. Cl.** **D6/475; D6/510; D6/511**

(58) **Field of Search** D6/310-312, 328,
D6/329, 396, 408, 419, 420, 429, 449,
462, 465-467, 471, 474, 491-495, 509-511,
475, 477; 211/13.1, 70.6, 72, 73, 78, 85,
135, 181.1, 182, 49.1, 132.1, 149; 248/371,
349.1, 923, 183.2, 921, 176.1, 678, 174,
175, 917, 919

(56) **References Cited**

U.S. PATENT DOCUMENTS

- D270,026 S * 8/1983 Whitford D6/496
- D287,365 S * 12/1986 Judd D14/114
- D371,220 S * 6/1996 Behrens D6/466

- D392,124 S * 3/1998 Poterbin D6/475
- D414,305 S * 9/1999 Rohn et al. D32/31
- D444,790 S * 7/2001 Goto D14/447
- D447,486 S * 9/2001 Goto D14/447
- D448,950 S * 10/2001 McIveen D6/449
- D454,454 S * 3/2002 Hamilton et al. D6/510

* cited by examiner

Primary Examiner—Cathron C. Brooks

(74) *Attorney, Agent, or Firm*—Lerner, David, Littenberg,
Krumholz & Mentlik, LLP

(57) **CLAIM**

The ornamental design for a display fixture component, as shown and described.

DESCRIPTION

FIG. 1 is a perspective view of a display fixture component showing my new design;
 FIG. 2 is a front elevational view, the rear elevational view being a mirror image thereof;
 FIG. 3 is a right side elevational view, the left side elevational view being a mirror image thereof;
 FIG. 4 is a top plan view; and,
 FIG. 5 is a bottom plan view.
 The broken lines shown in the drawings are for illustration purpose only and form no part of the claimed design.

1 Claim, 2 Drawing Sheets

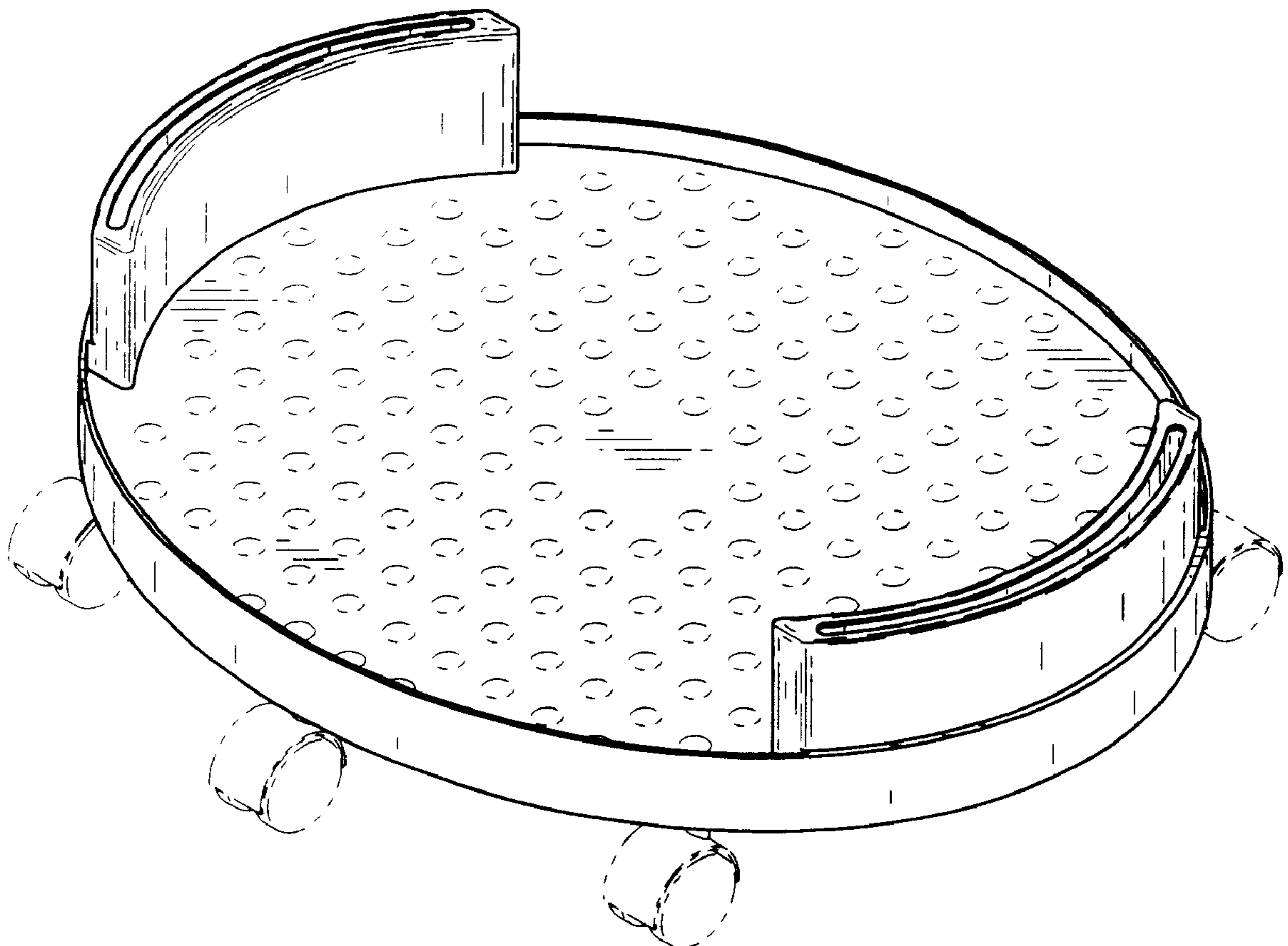


FIG. 1

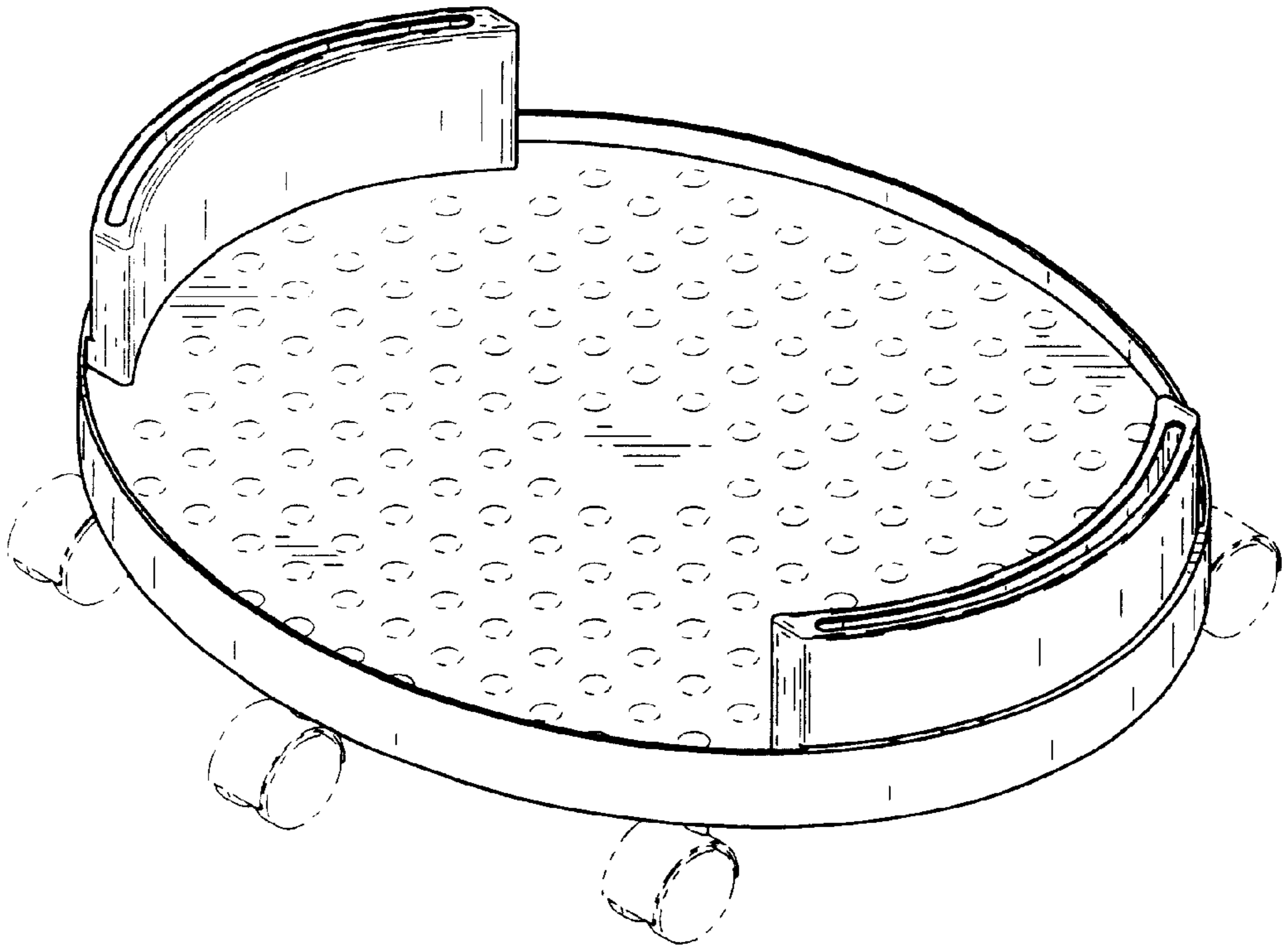


FIG. 2

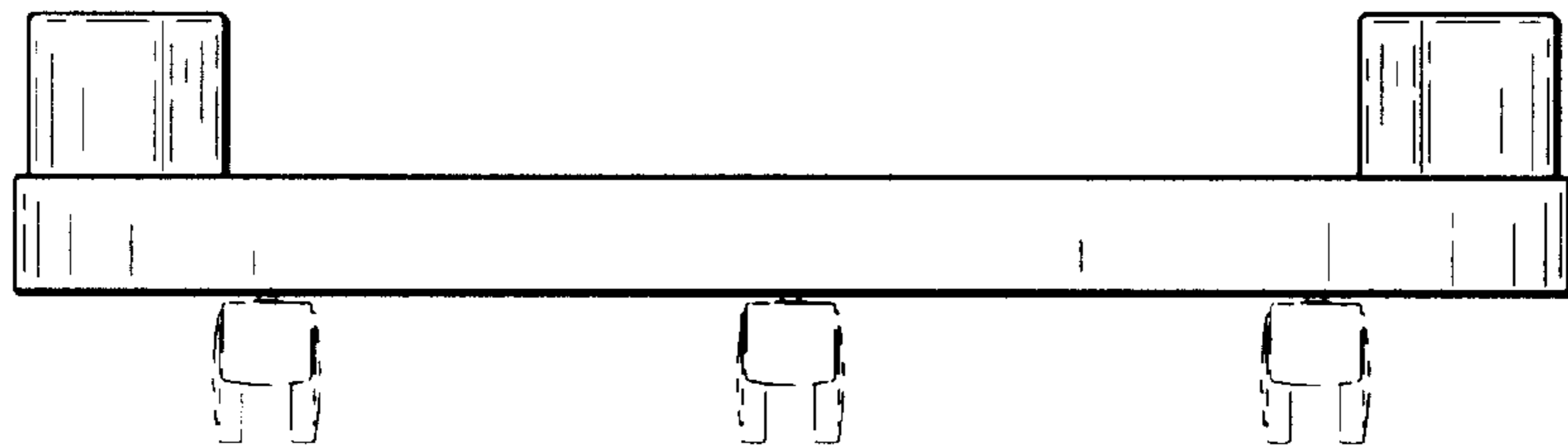


FIG. 3

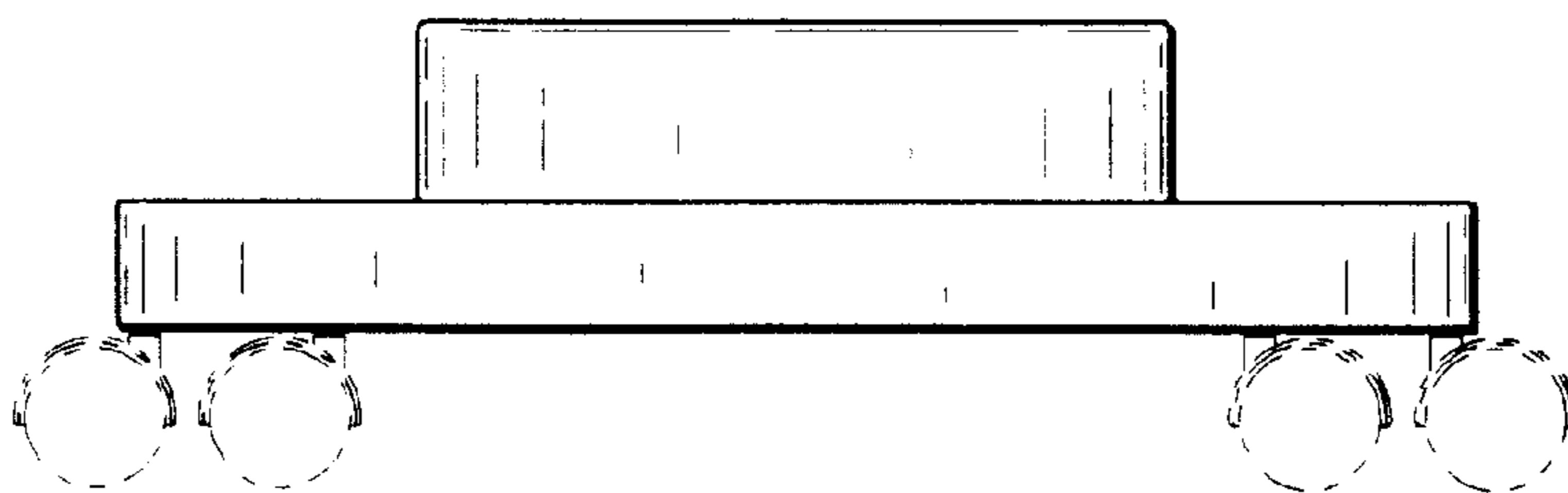


FIG. 4

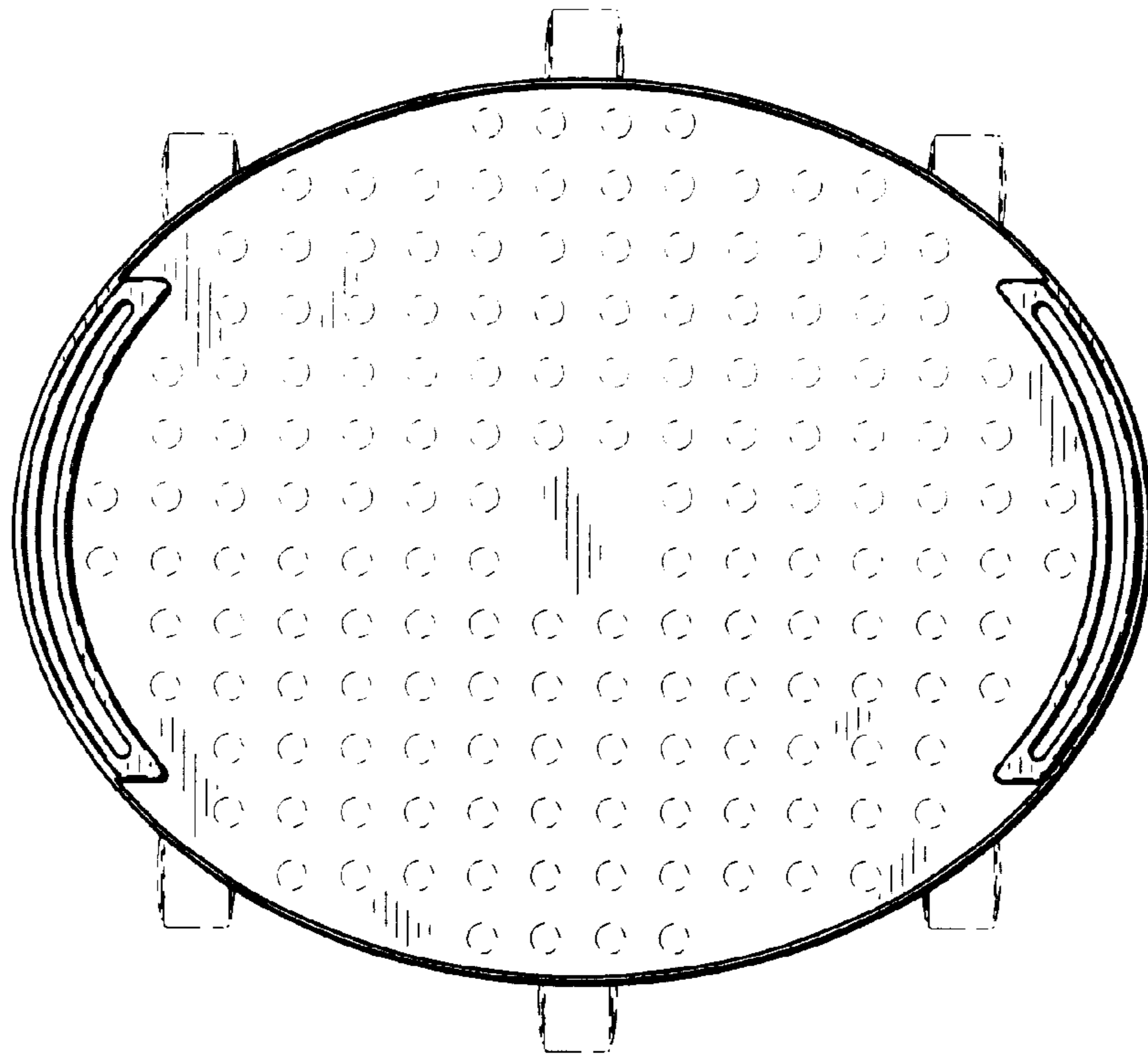


FIG. 5

