



US00D467097S

(12) **United States Design Patent**
Poynter et al.

(10) **Patent No.:** **US D467,097 S**

(45) **Date of Patent:** **** Dec. 17, 2002**

(54) **ORGANIZER STAND**

(75) Inventors: **Lynn Poynter**, Columbus, OH (US);
Andrea Walters Dowding, Dresden,
OH (US); **Russell Gilbert**, Mountain
View, AR (US); **Durward Staten**,
Mountain View, AR (US)

(73) Assignee: **The Longaberger Company**, Newark,
OH (US)

(**) Term: **14 Years**

(21) Appl. No.: **29/143,184**

(22) Filed: **Jun. 8, 2001**

Related U.S. Application Data

(63) Continuation-in-part of application No. 29/101,973, filed on Mar. 10, 1999, now Pat. No. Des. 446,409, and a continuation-in-part of application No. 29/123,935, filed on May 26, 2000, now Pat. No. Des. 452,934, which is a continuation-in-part of application No. 29/101,973, filed on Mar. 10, 1999, now Pat. No. Des. 446,409, which is a continuation-in-part of application No. 29/084,102, filed on Feb. 24, 1998, now Pat. No. Des. 423,820, which is a continuation-in-part of application No. 29/075,904, filed on Jul. 28, 1997, now Pat. No. Des. 397,898, which is a continuation-in-part of application No. 29/069,526, filed on Apr. 24, 1997, now Pat. No. Des. 397,563, which is a continuation-in-part of application No. 29/068,271, filed on Mar. 24, 1997, now Pat. No. Des. 415,366.

(51) **LOC (7) Cl.** **06-04**

(52) **U.S. Cl.** **D6/465**

(58) **Field of Search** D6/449, 458, 462,
D6/463, 464, 465, 477, 479; 211/13.1,
85.3, 181.1, 182; 108/59

(56) **References Cited**

U.S. PATENT DOCUMENTS

D423,820 S * 5/2000 Walters-Dowding et al. D6/464
D446,409 S * 8/2001 Walters-Dowding et al. D6/465
D452,394 S * 12/2001 Walters-Dowding et al. D6/464

* cited by examiner

Primary Examiner—Cathron C. Brooks

(74) *Attorney, Agent, or Firm*—Porter WrightMorris &
Arthur LLP

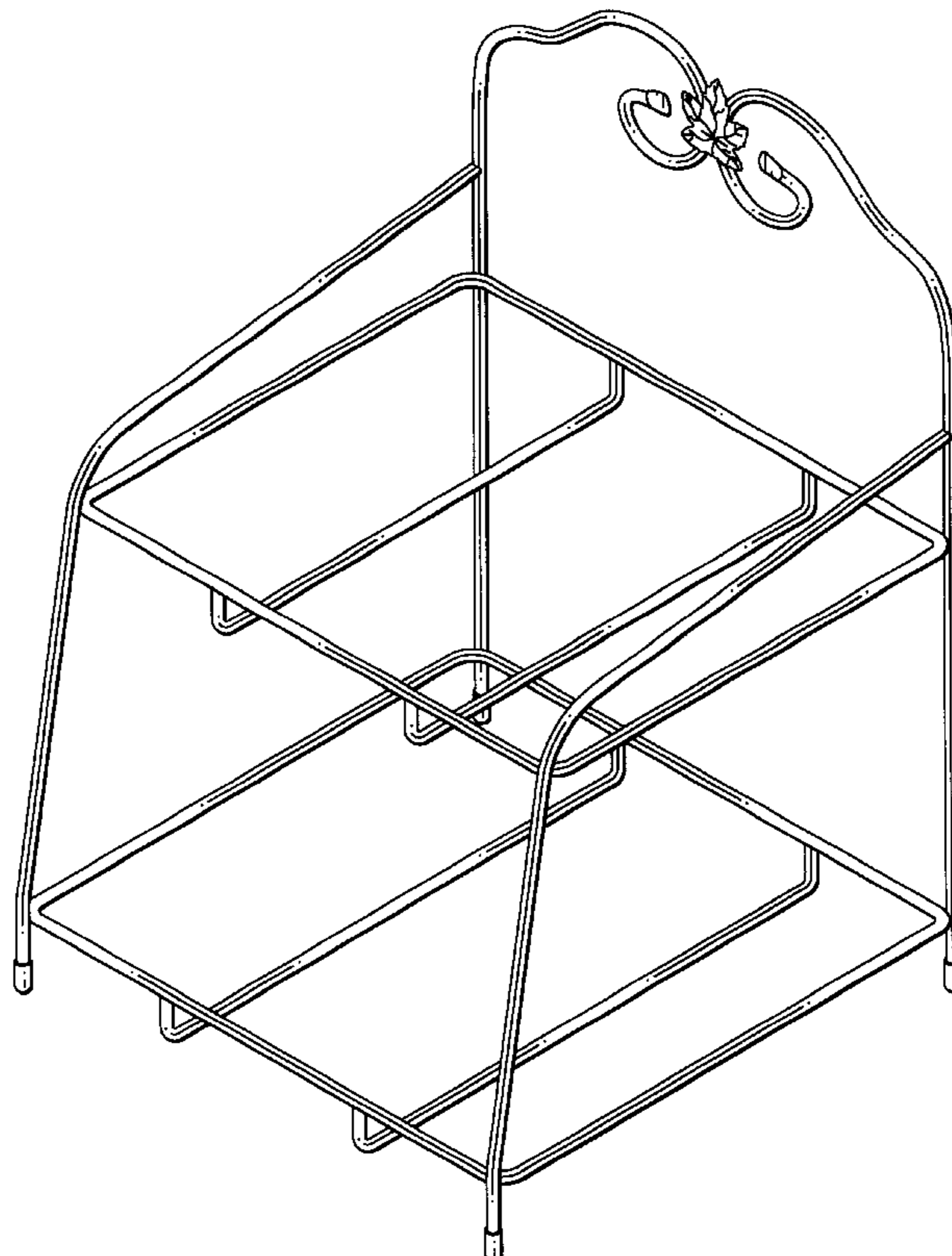
(57) **CLAIM**

The ornamental design for organizer stand, as shown and described.

DESCRIPTION

FIG. 1 is a perspective view of the organizer stand showing our new design;
FIG. 2 is a front view thereof;
FIG. 3 is a rear view thereof;
FIG. 4 is a right side view thereof, the left side being a mirror image thereof;
FIG. 5 is a top view thereof; and,
FIG. 6 is a bottom view thereof.

1 Claim, 6 Drawing Sheets



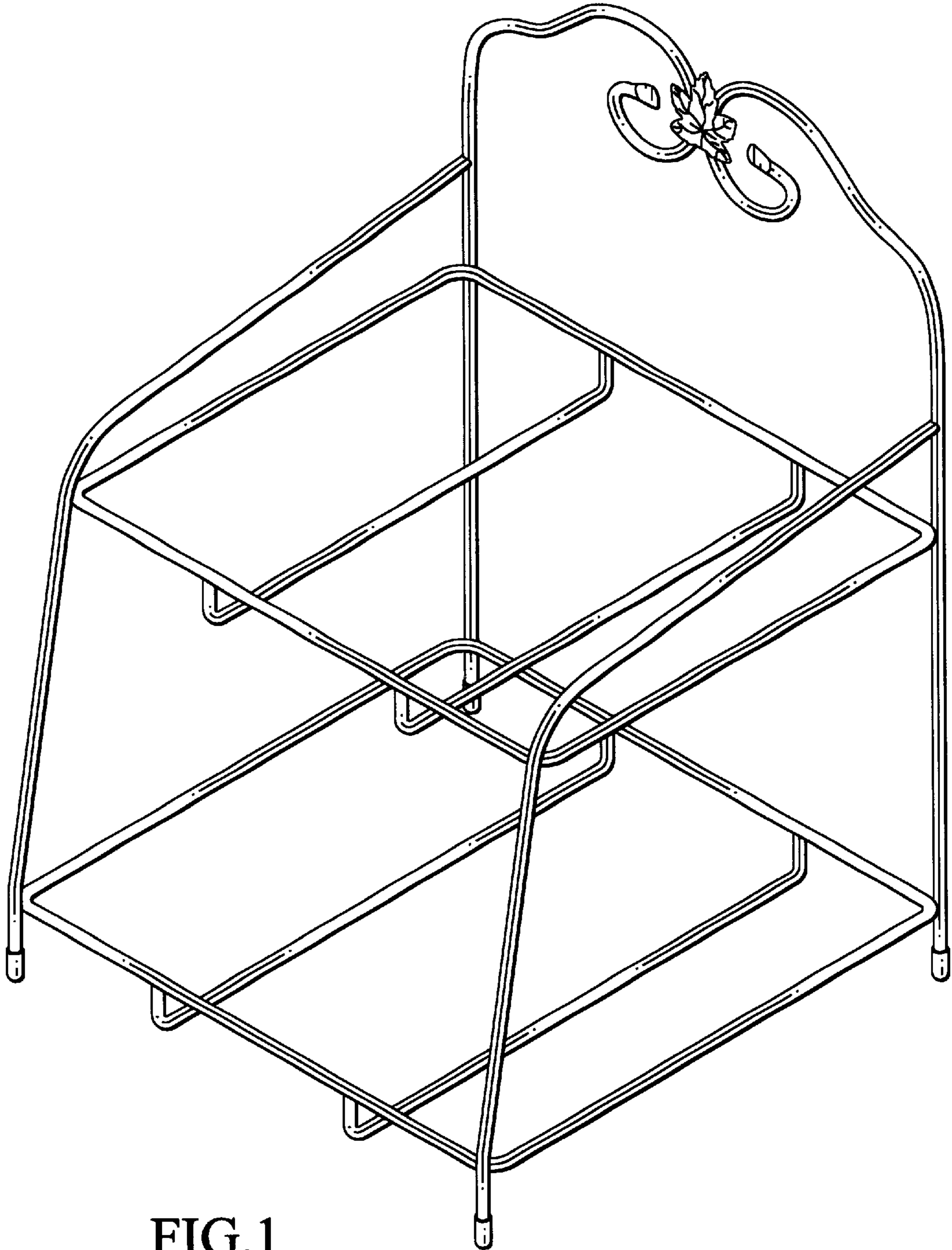


FIG.1

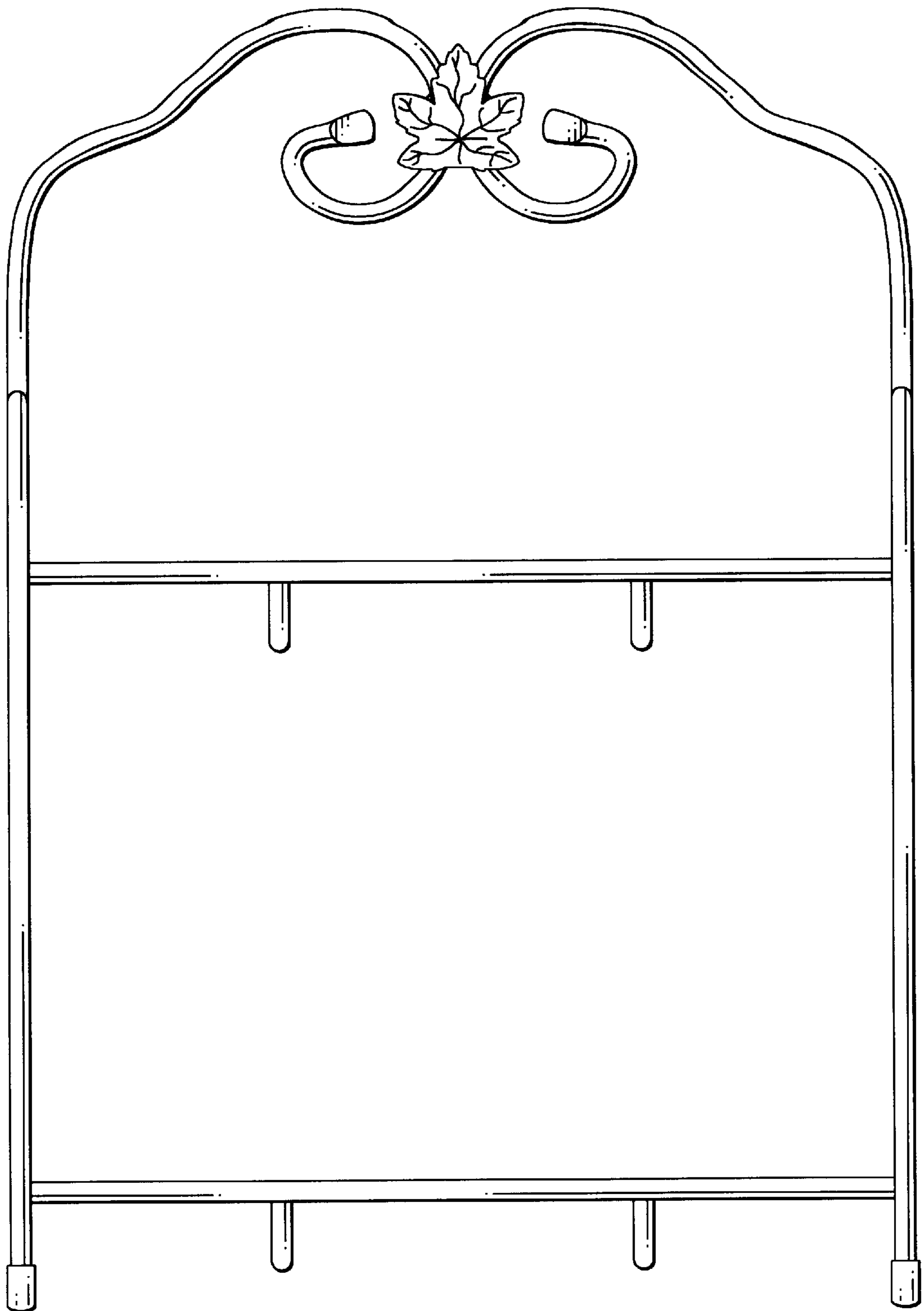


FIG.2

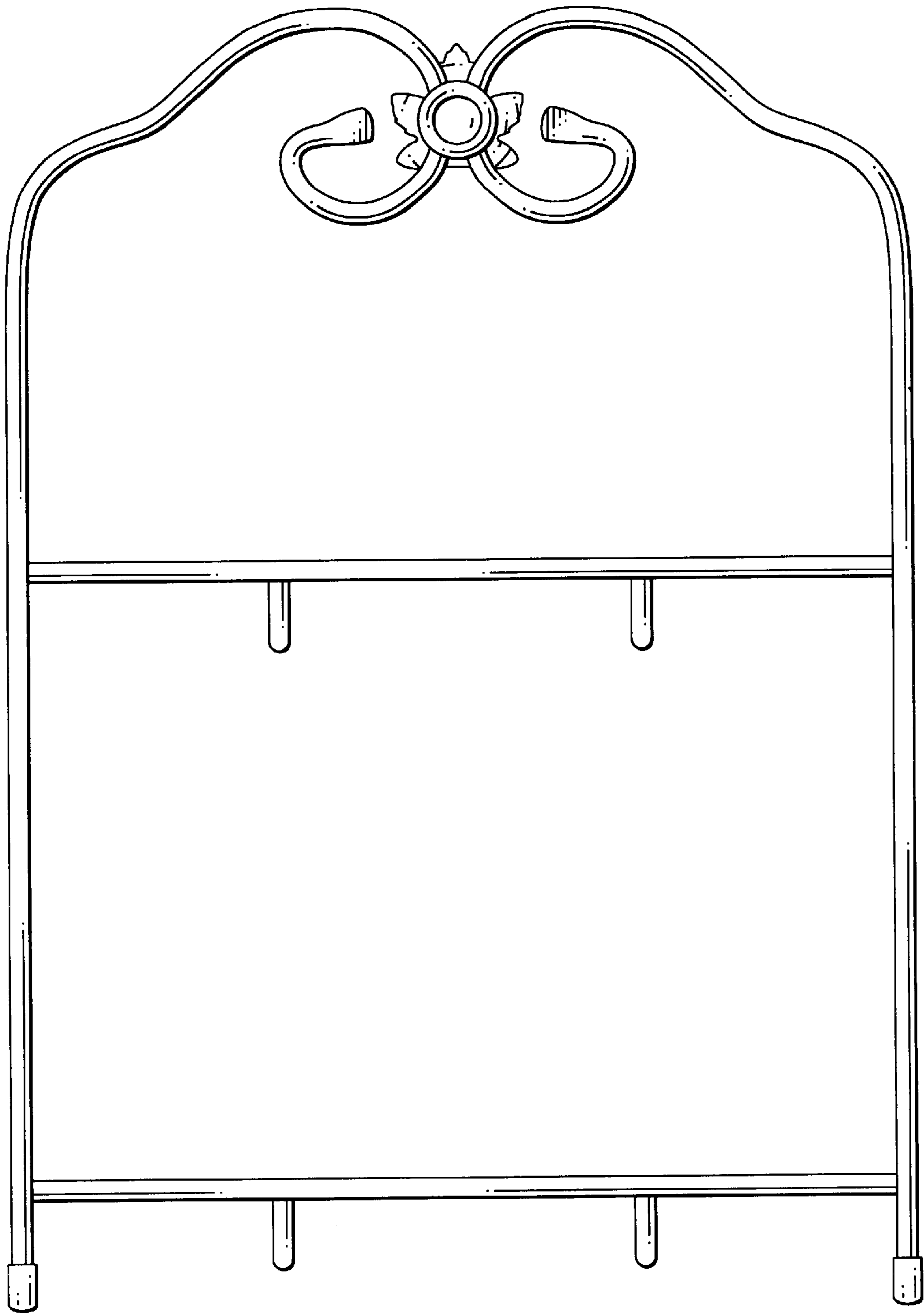


FIG.3

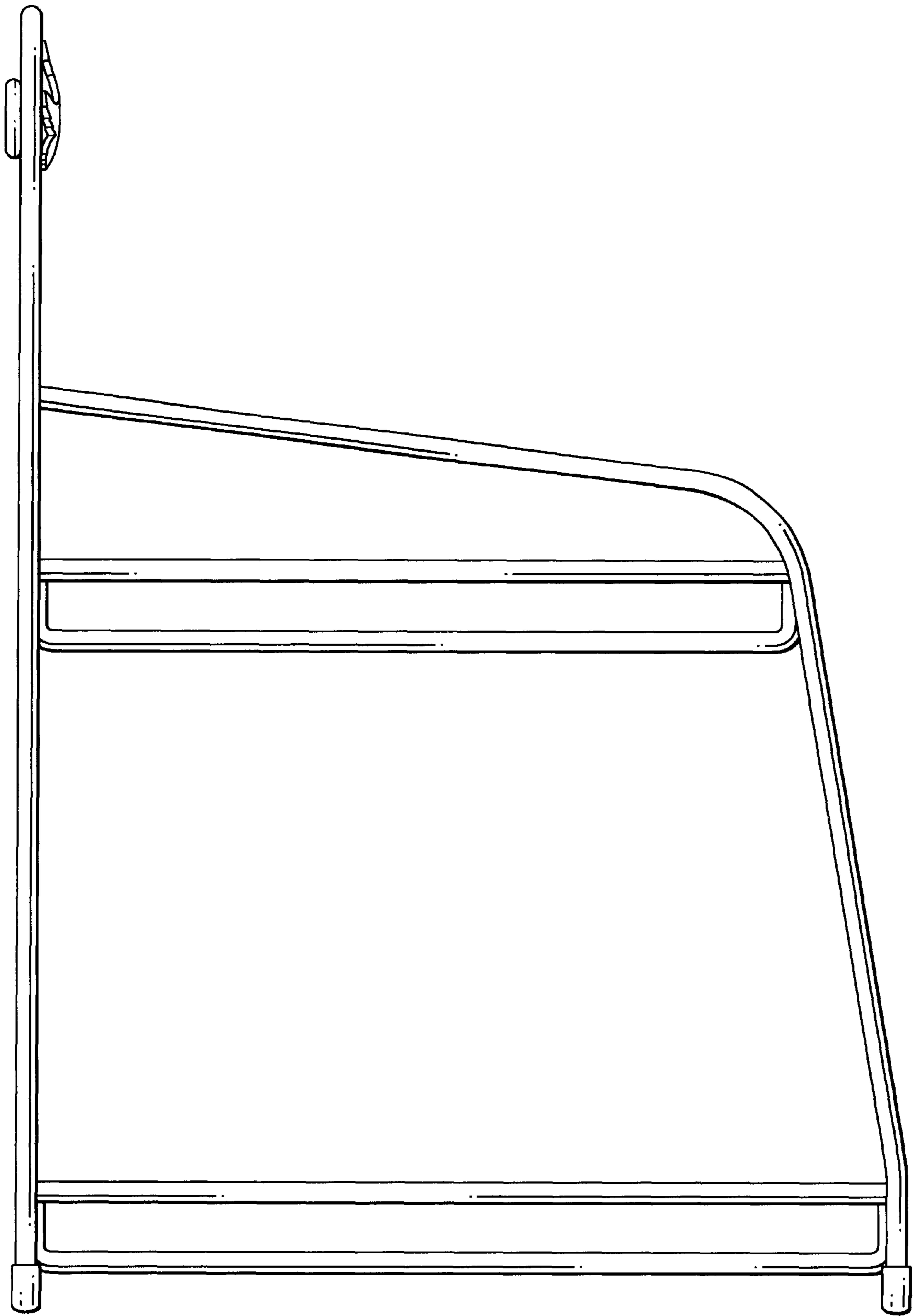


FIG.4

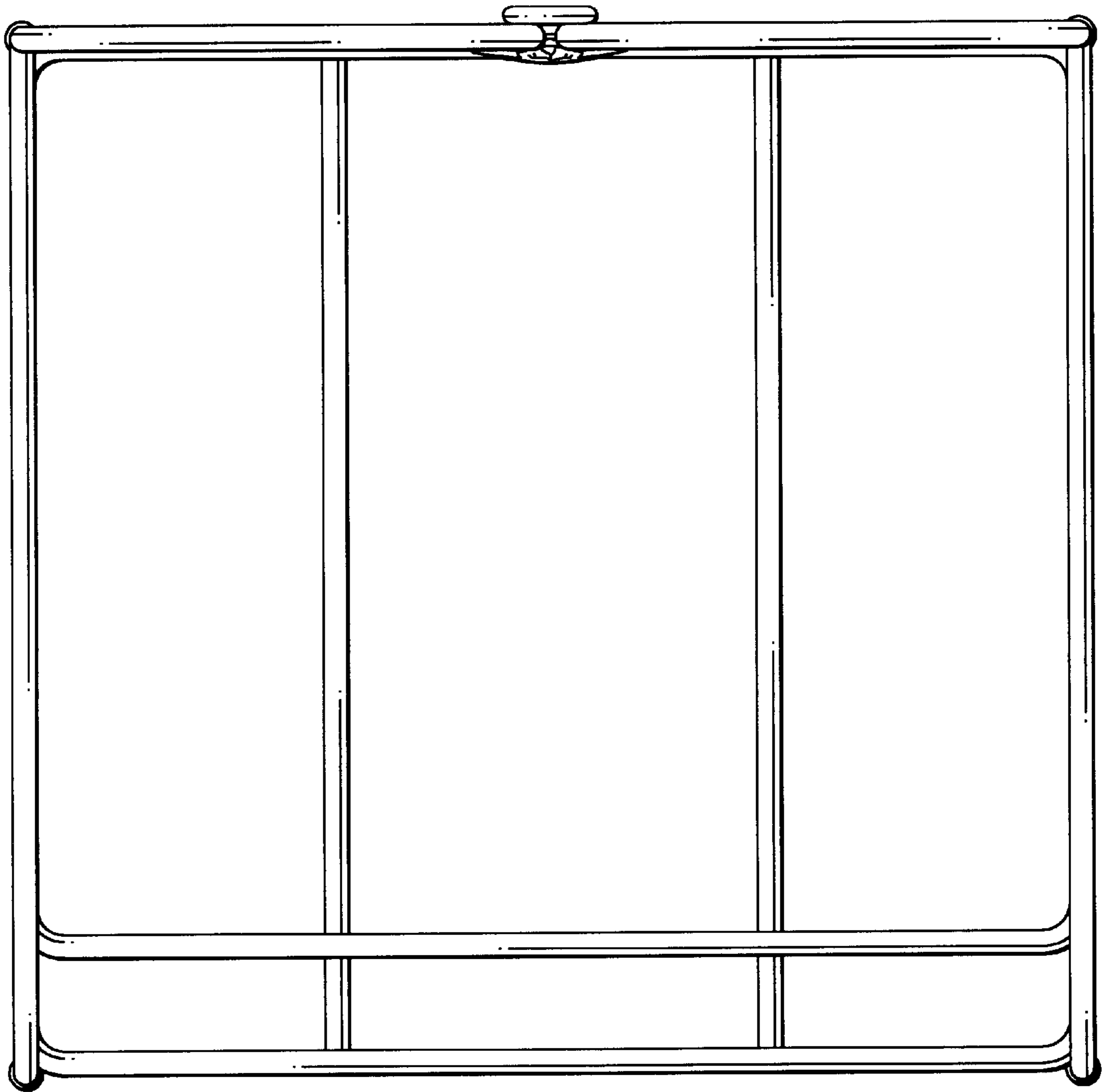


FIG.5

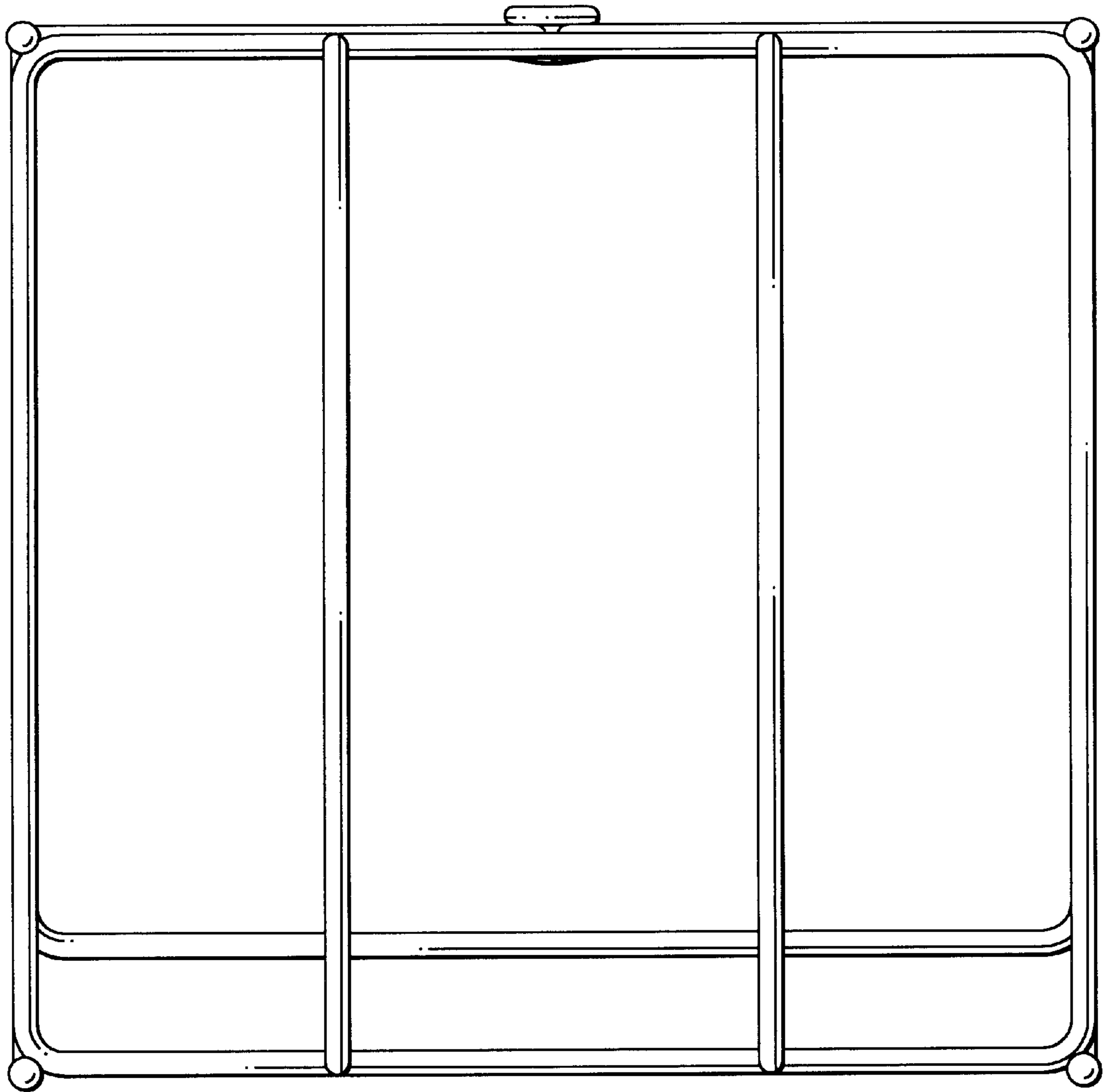


FIG.6