



US00D467093S

(12) **United States Design Patent**  
**Brophy**

(10) **Patent No.:** **US D467,093 S**

(45) **Date of Patent:** **\*\* Dec. 17, 2002**

(54) **PORTABLE FOLDABLE BABY BED**

(76) **Inventor:** **William (Billy) Brophy**, R.R. #7, South Side Harbour, Antigonish County, Nova Scotia (CA), B2G 2L4

(\*\*) **Term:** **14 Years**

(21) **Appl. No.:** **29/146,258**

(22) **Filed:** **Aug. 8, 2001**

(51) **LOC (7) Cl.** ..... **06-01**

(52) **U.S. Cl.** ..... **D6/391; D6/333**

(58) **Field of Search** ..... D6/390-392, 331, D6/333; 5/93.1, 99.1, 101, 98.1, 103, 104, 655, 947

(56) **References Cited**

**U.S. PATENT DOCUMENTS**

506,659 A	10/1893	Bigeon	
2,291,233 A	7/1942	Karlik	5/93
2,589,805 A	3/1952	Hausner	5/99
3,489,194 A	* 1/1970	Hoover	5/655
D229,457 S	* 12/1973	Mathieson	D6/390
D241,287 S	* 9/1976	Earle et al.	D6/390
4,441,221 A	4/1984	Enste et al.	5/431
4,788,726 A	12/1988	Rafalko	5/93
5,161,273 A	* 11/1992	Deck	5/601
5,165,130 A	11/1992	Wendling	5/655
5,193,238 A	3/1993	Clute	5/655
5,216,772 A	6/1993	Clute	5/655
5,272,780 A	12/1993	Clute	5/655
5,331,699 A	7/1994	Patton et al.	5/655
5,347,669 A	9/1994	Neviaser et al.	5/655
5,418,987 A	5/1995	Yoshino	5/11

5,450,640 A	9/1995	Patton et al.	5/655
D366,368 S	1/1996	McCarthy	D6/333
5,581,832 A	12/1996	Bridley	5/655
5,599,063 A	2/1997	Lister et al.	297/325
5,675,853 A	10/1997	Linge	5/655
5,718,011 A	2/1998	Nogues	5/655

**FOREIGN PATENT DOCUMENTS**

CA	2002117	5/1990
CA	2204070	10/1998

\* cited by examiner

*Primary Examiner*—Janice E. Seeger

(74) *Attorney, Agent, or Firm*—Mario Theriault

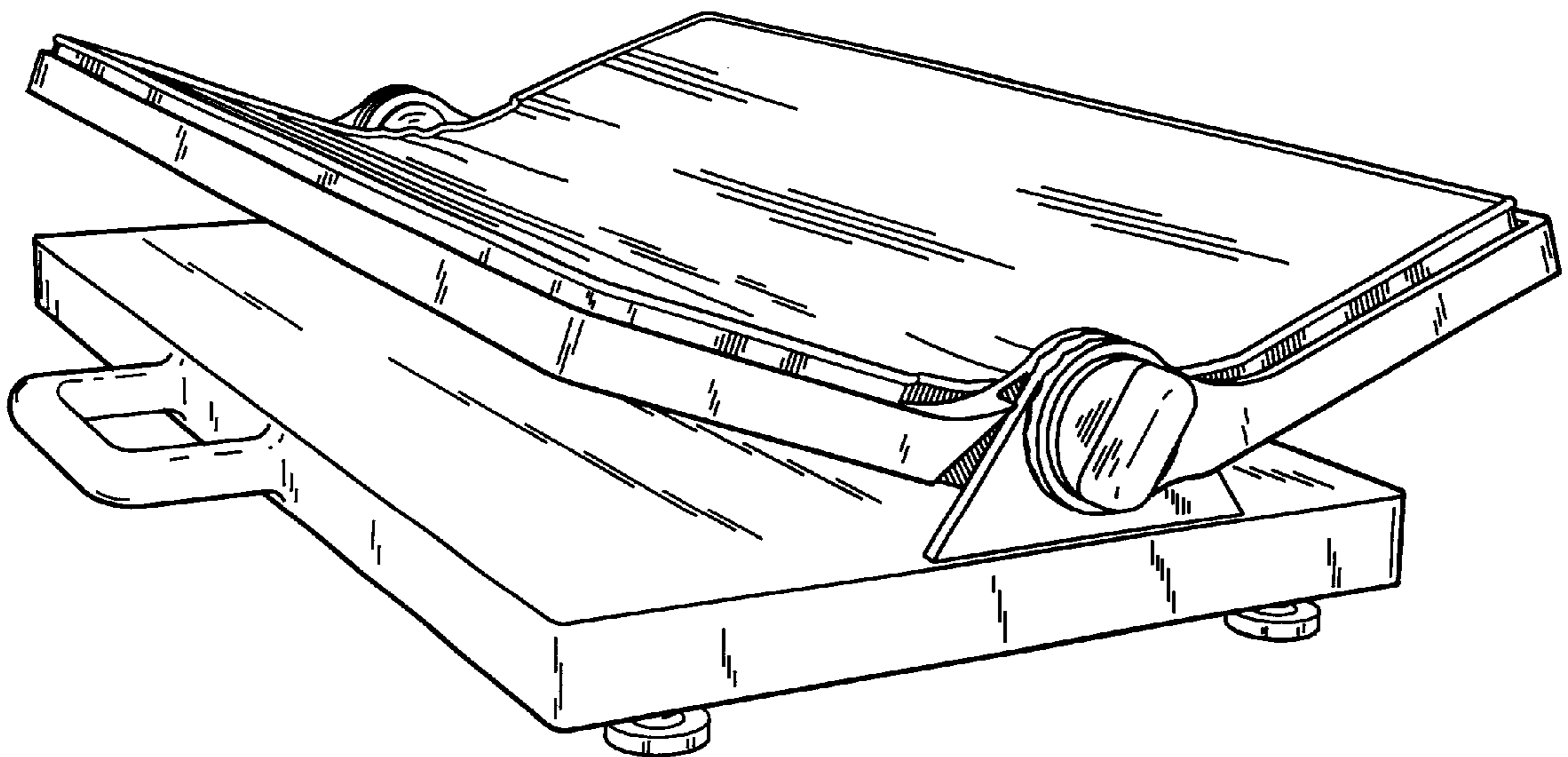
(57) **CLAIM**

The ornamental design for a portable foldable baby bed, as shown and described.

**DESCRIPTION**

FIG. 1 is a perspective top, front and right side view of a portable foldable baby bed, showing my new design; FIG. 2 is a right side view thereof; FIG. 3 is a left side view thereof; FIG. 4 is a top view thereof; FIG. 5 is a bottom view thereof; FIG. 6 is a front view thereof; FIG. 7 is a rear view thereof; FIG. 8 is a right side view thereof in a first optional folded mode; and, FIG. 9 is a right side view thereof in a second optional folded mode.

**1 Claim, 3 Drawing Sheets**



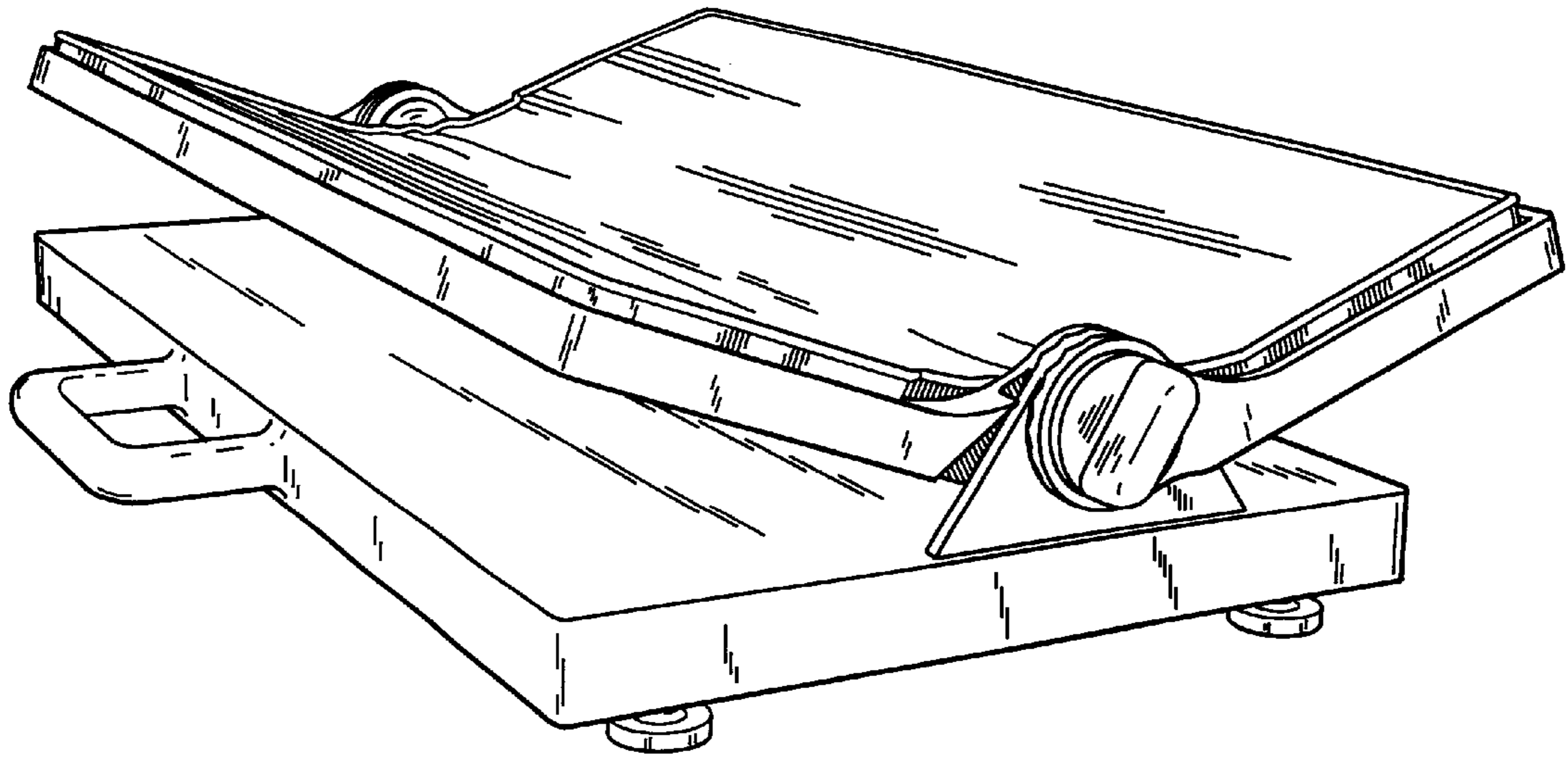


FIG. 1

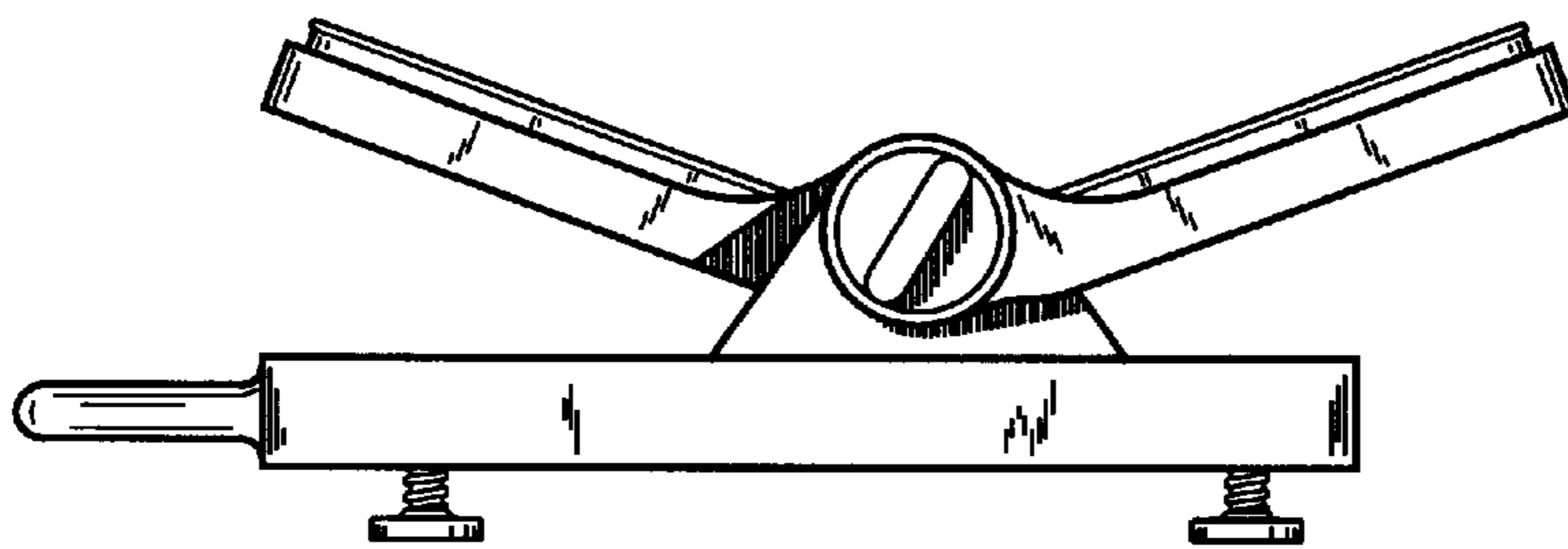


FIG. 2

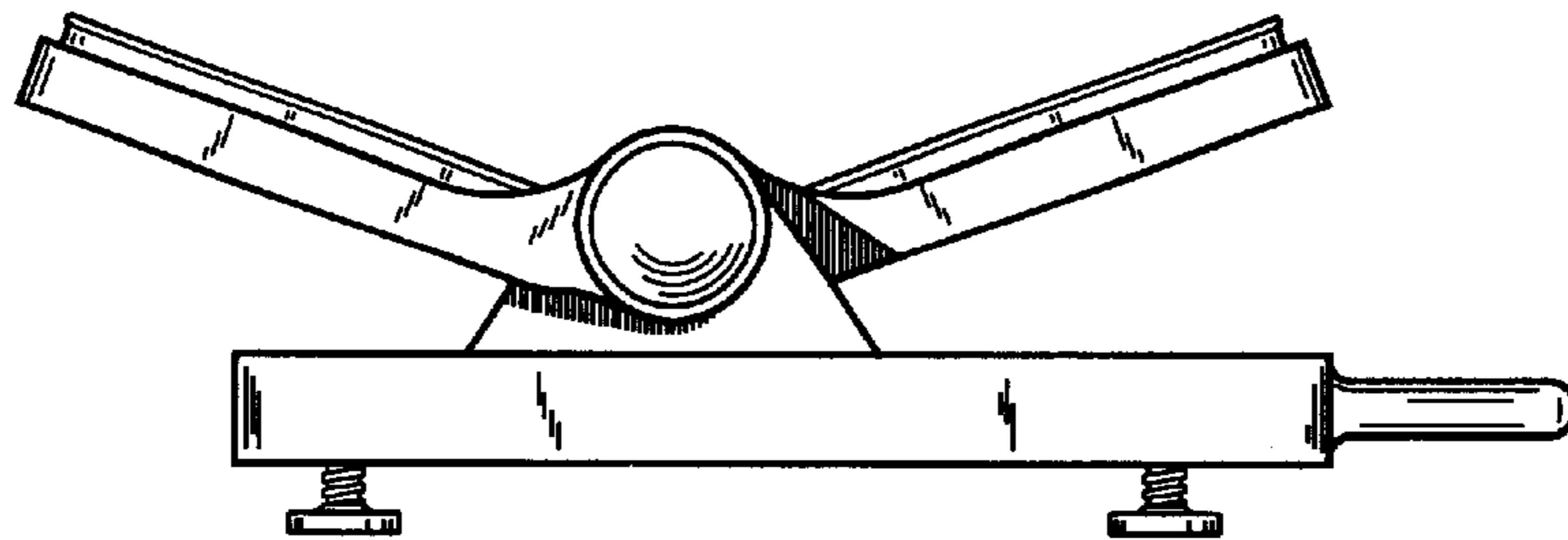


FIG. 3

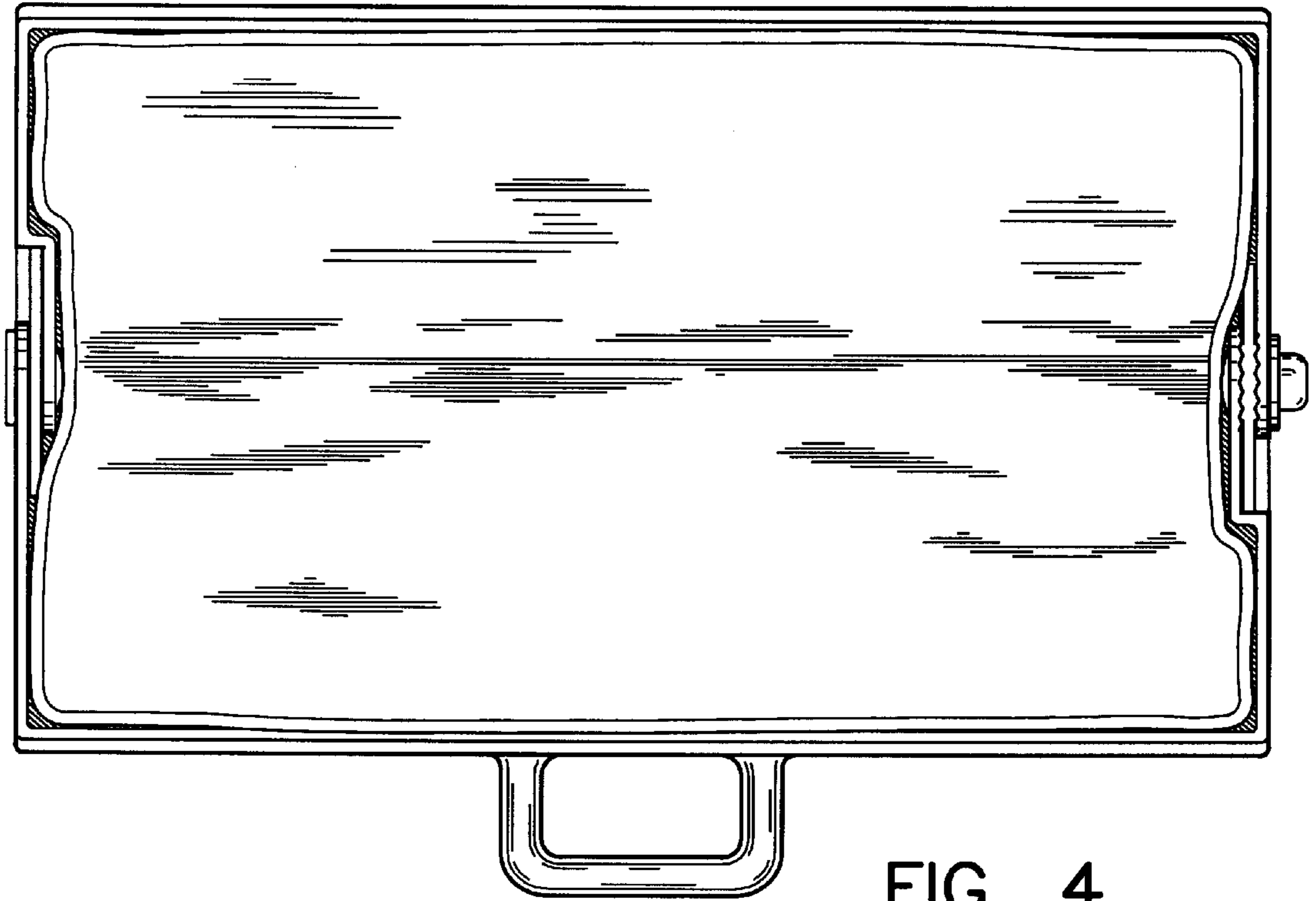


FIG. 4

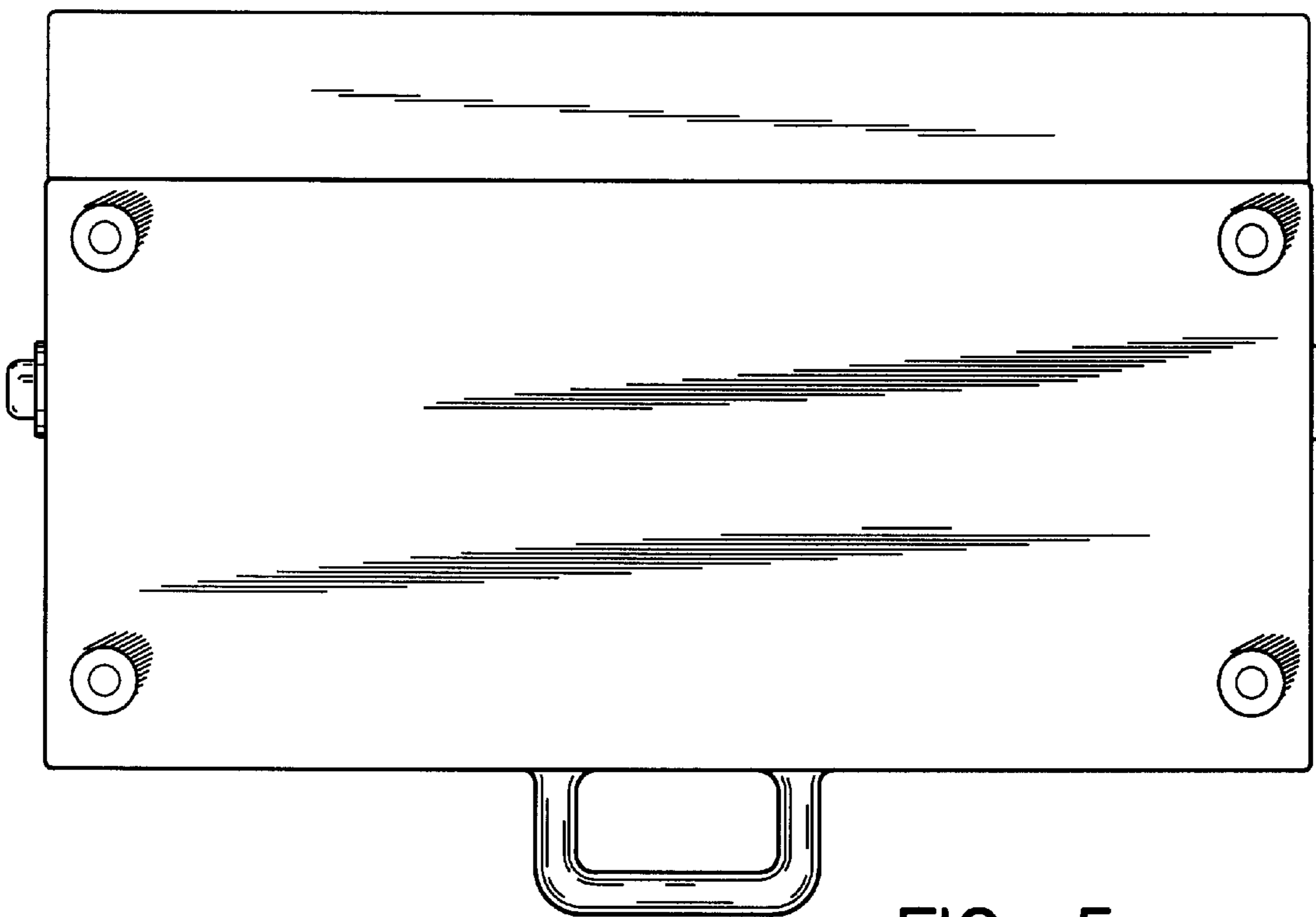


FIG. 5

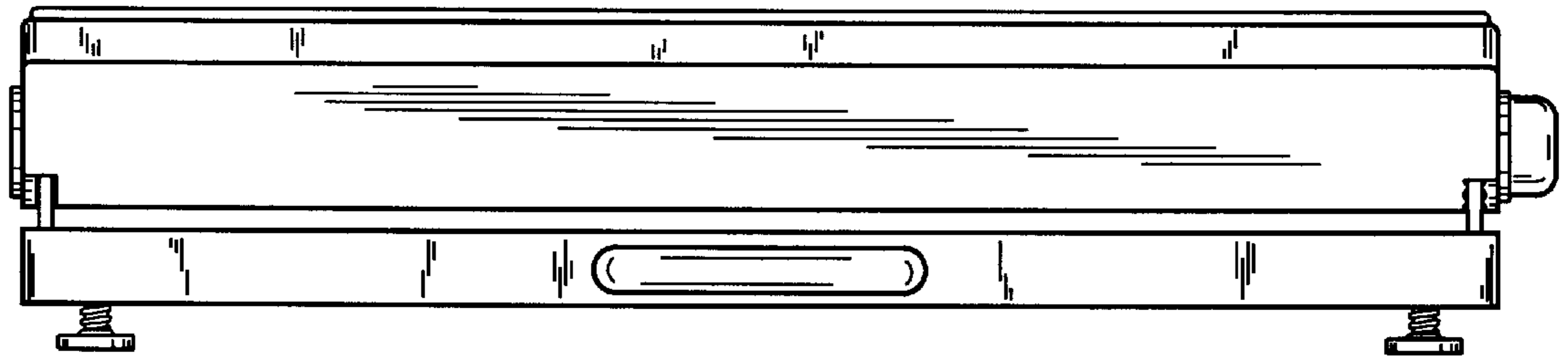


FIG. 6

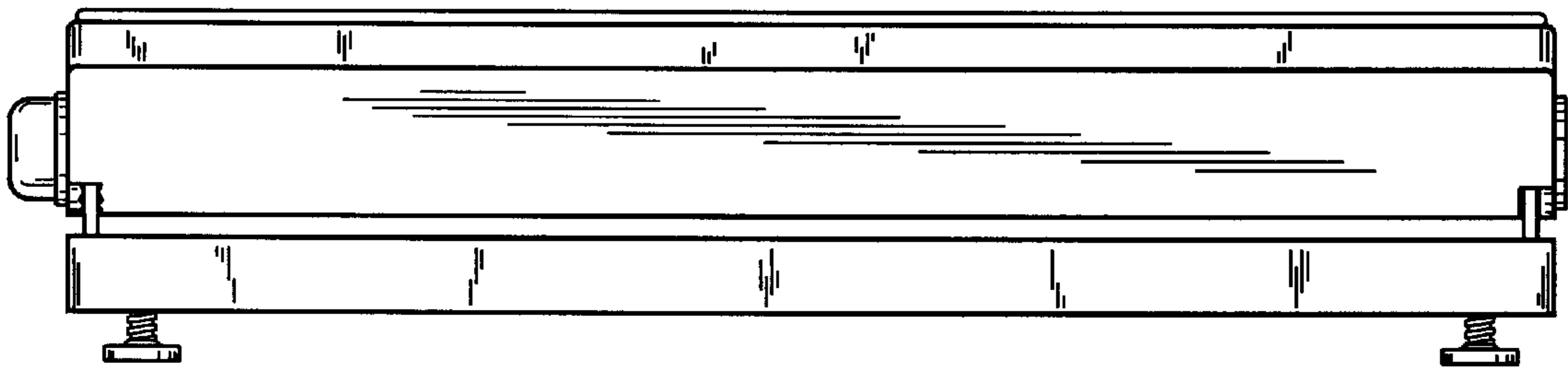


FIG. 7

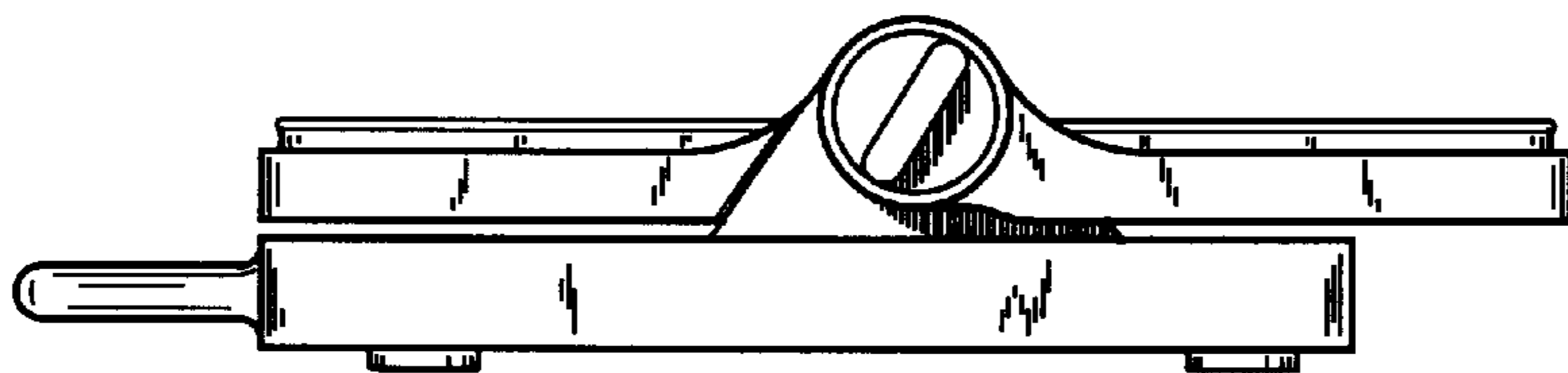


FIG. 8

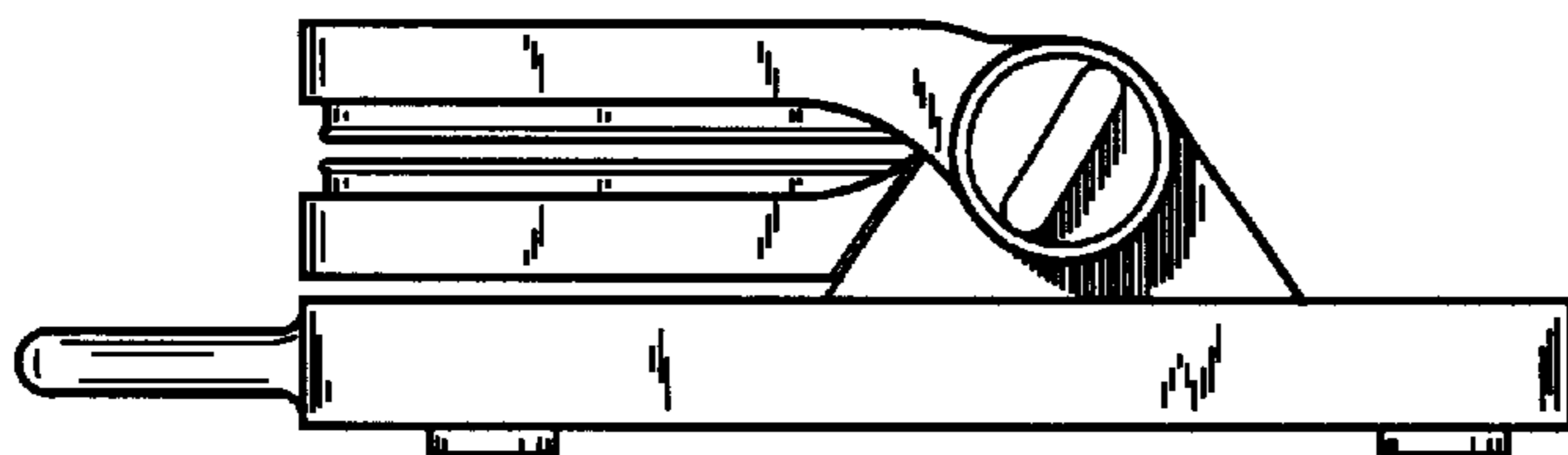


FIG. 9