



US00D467089S

(12) **United States Design Patent** (10) **Patent No.:** **US D467,089 S**
Wu (45) **Date of Patent:** **** Dec. 17, 2002**

(54) **STACKABLE CHAIR**

(76) Inventor: **Henry Wu**, 23441 Golden Springs Dr.
#370, Diamond Bar, CA (US) 91765

(**) Term: **14 Years**

(21) Appl. No.: **29/143,105**

(22) Filed: **Jun. 6, 2001**

(51) **LOC (7) Cl.** **06-01**

(52) **U.S. Cl.** **D6/368**

(58) **Field of Search** D6/334, 335, 336,
D6/368, 374, 376, 380, 500-502; 297/16.1,
40, 41, 55, 56, 58, 59, 239

3,695,687 A	10/1972	Uyeda	
3,825,302 A	7/1974	Kurtz	
D283,566 S	* 4/1986	Cronsoe	D6/368
4,619,207 A	10/1986	Boyce et al.	
4,682,816 A	7/1987	Massonnet	
D296,274 S	* 6/1988	Winters	D6/368
5,064,247 A	11/1991	Clark et al.	
5,096,259 A	* 3/1992	Stanfield	297/239
5,167,436 A	12/1992	Wu	
D347,122 S	* 5/1994	Kolberg	D6/368
5,329,716 A	7/1994	Fite	
5,707,107 A	1/1998	Melone	
5,738,408 A	* 4/1998	Wu	297/239
6,092,866 A	7/2000	Wu	
6,099,073 A	* 8/2000	Bruschi	297/59
D445,578 S	* 7/2001	Sery	D6/361

FOREIGN PATENT DOCUMENTS

GB 2 098 471 A 11/1982

OTHER PUBLICATIONS

Chair A, of Tile top pine table, p. 32, Conran's catalog 1998.*

* cited by examiner

Primary Examiner—Doris V. Coles

Assistant Examiner—Mimosa De

(74) *Attorney, Agent, or Firm*—Knobbe, Martens, Olson & Bear, LLP

(57) **CLAIM**

The ornamental design for a stackable chair, as shown and described.

DESCRIPTION

FIG. 1 is a perspective view of the stackable chair of the present design;

FIG. 2 is a perspective view of two chairs, shown in a folded configuration stacked vertically one upon the other. One chair is in broken line for illustrative purposes only and forms no part of the claimed design;

FIG. 3 is a back view of the stackable chair;

FIG. 4 is a left-side view of FIG. 1 in folded condition;

FIG. 5 is a top view of FIG. 1 in folded condition; and,

FIG. 6 is a bottom view of FIG. 1 in folded condition.

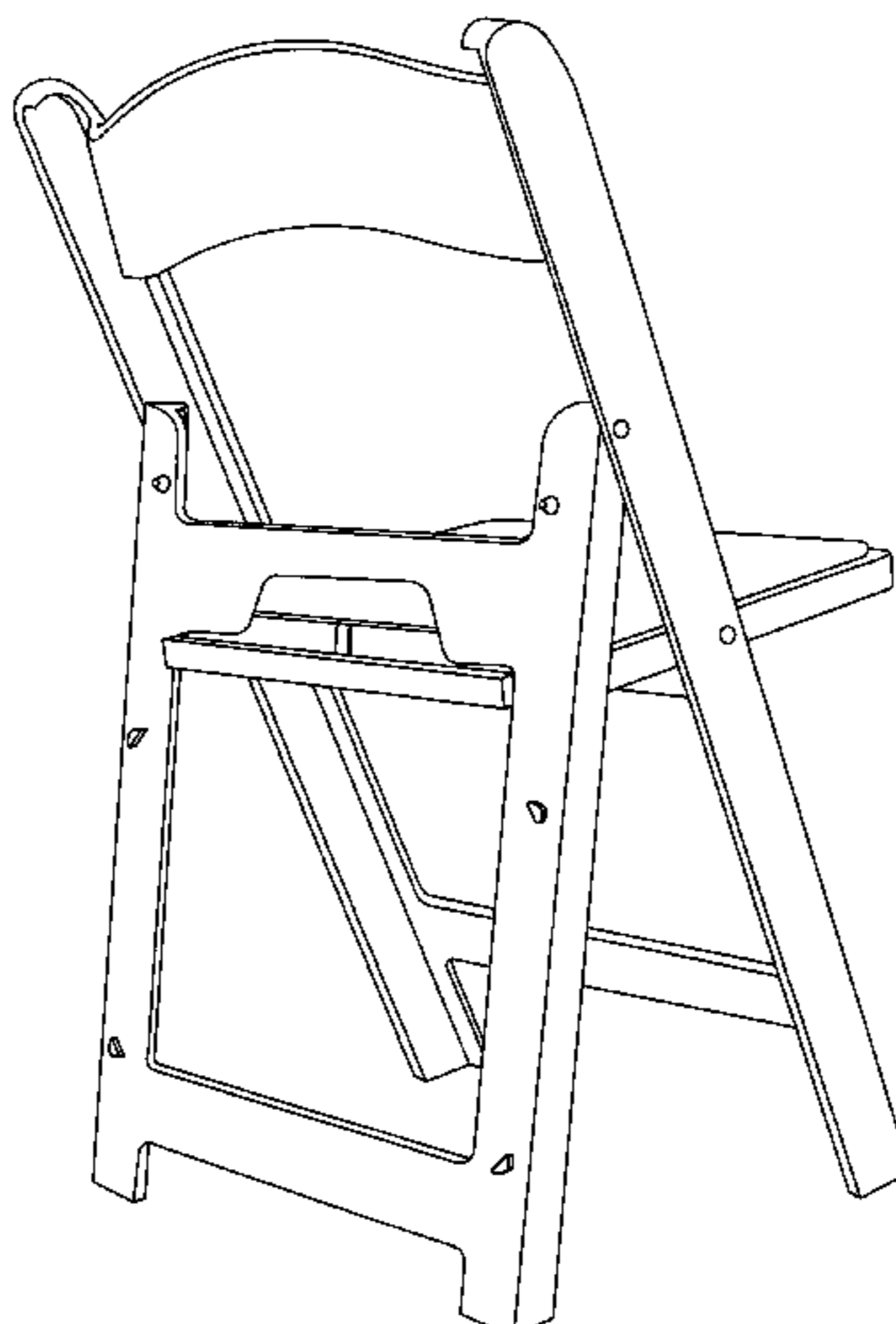
1 Claim, 4 Drawing Sheets

(56)

References Cited

U.S. PATENT DOCUMENTS

133,503 A	11/1872	Travis et al.	
192,770 A	7/1877	Lacomme et al.	
202,856 A	4/1878	Morse et al.	
937,567 A	10/1909	Canouts	
941,135 A	11/1909	De Moulin	
1,176,915 A	3/1916	Loveless	
1,304,753 A	5/1919	Dwyer	
1,395,153 A	10/1921	Schomacker	
1,424,031 A	7/1922	Peters	
1,550,068 A	8/1925	Golden	
1,562,226 A	* 11/1925	Glantz	297/58
1,639,085 A	8/1927	Fohey	
1,815,643 A	7/1931	Allerding	
1,833,177 A	11/1931	Rice	
1,838,213 A	12/1931	Buffington	
1,900,486 A	3/1933	Clarín	
2,131,586 A	9/1938	Dano	
2,350,895 A	* 6/1944	Hoover, Jr.	297/58
2,390,878 A	12/1945	Greitzer	
2,517,433 A	8/1950	Hoven et al.	
2,587,543 A	2/1952	Smith	
2,694,442 A	11/1954	Nordmark	
2,802,578 A	8/1957	Barile	
2,920,687 A	1/1960	Hurley	
2,973,803 A	3/1961	Mickelson	
3,021,175 A	2/1962	Norquist	
3,025,101 A	3/1962	McKinnie	
3,431,022 A	3/1969	Poppe et al.	
3,649,074 A	3/1972	McDonald et al.	



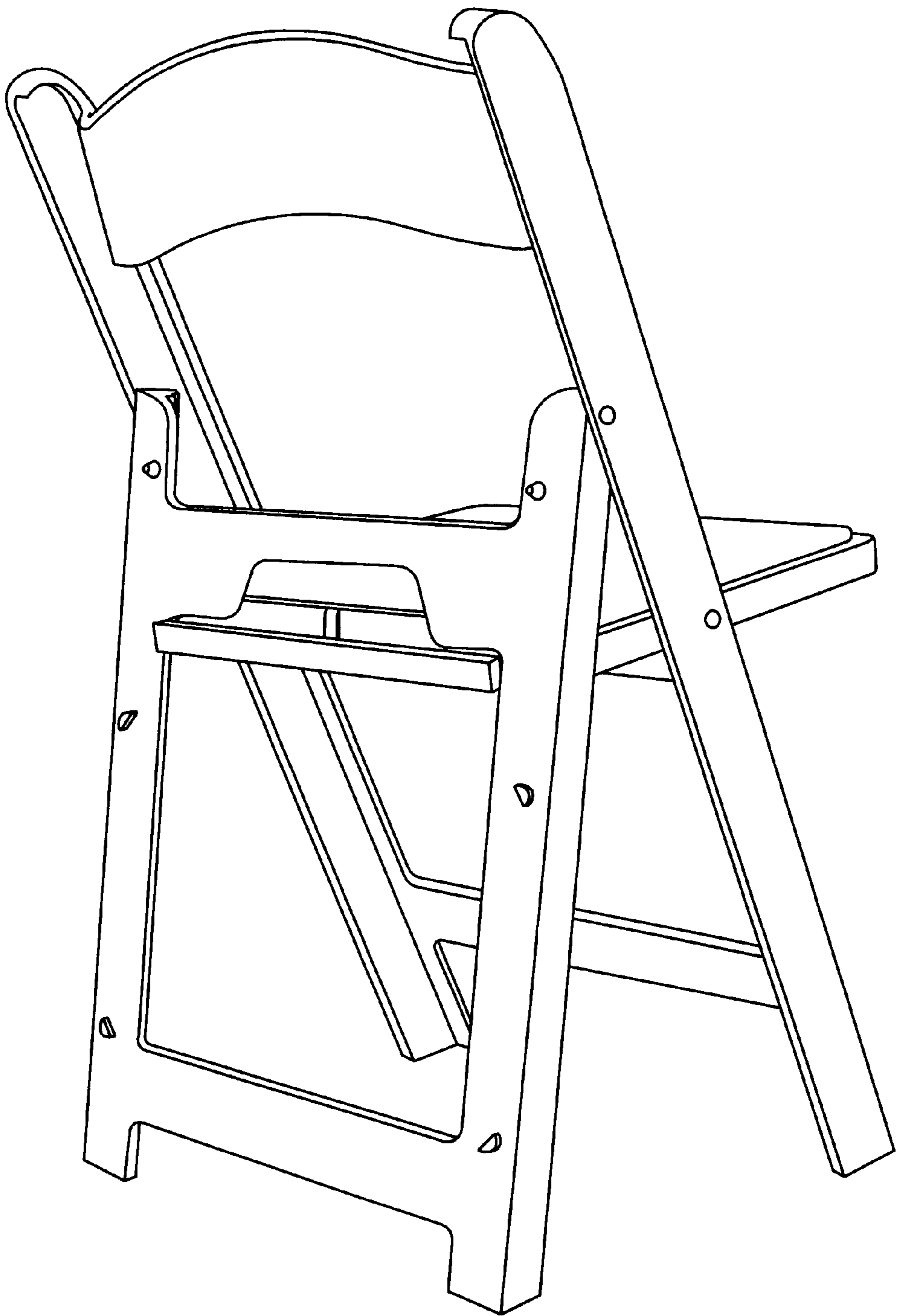


FIG. 1

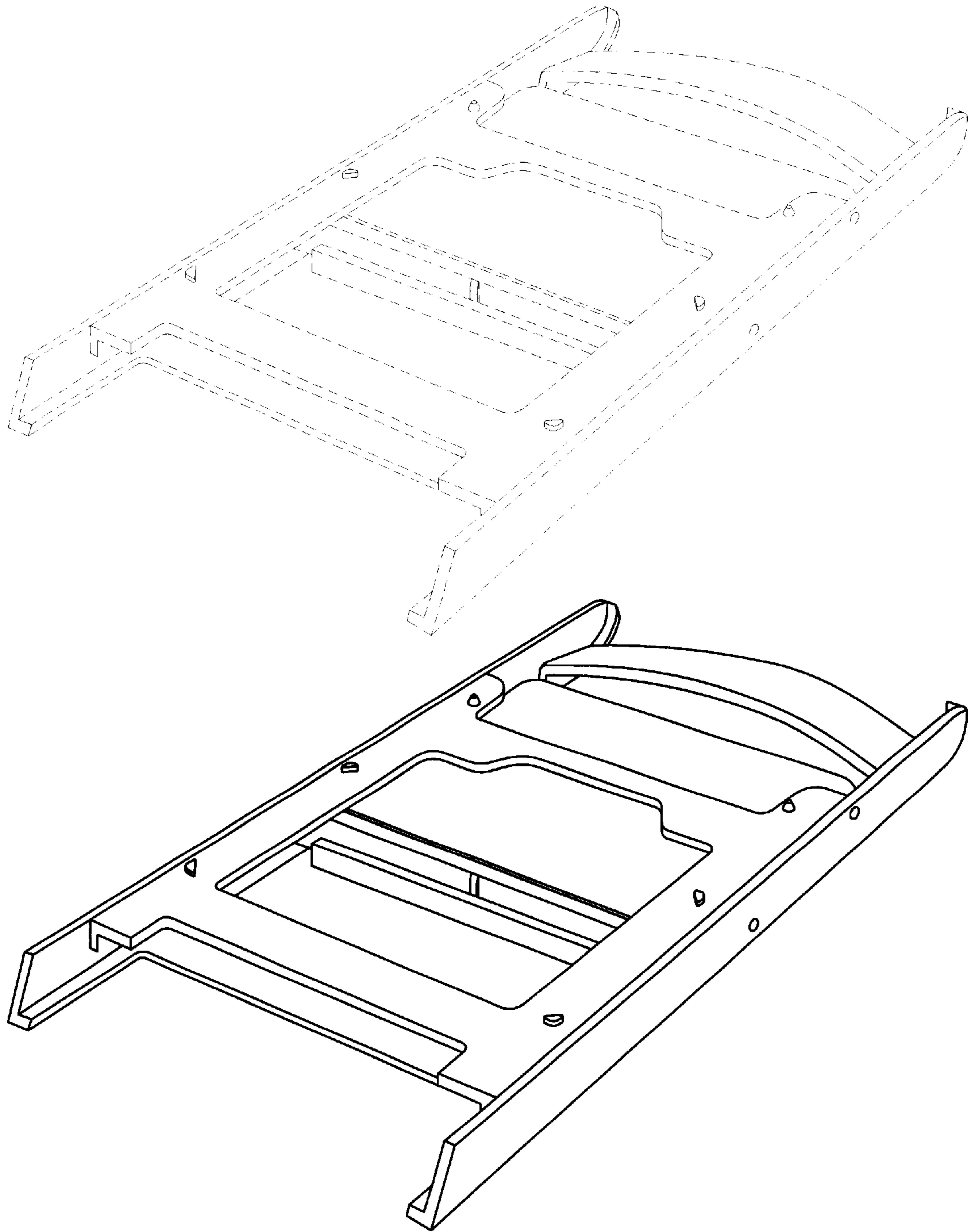


FIG. 2

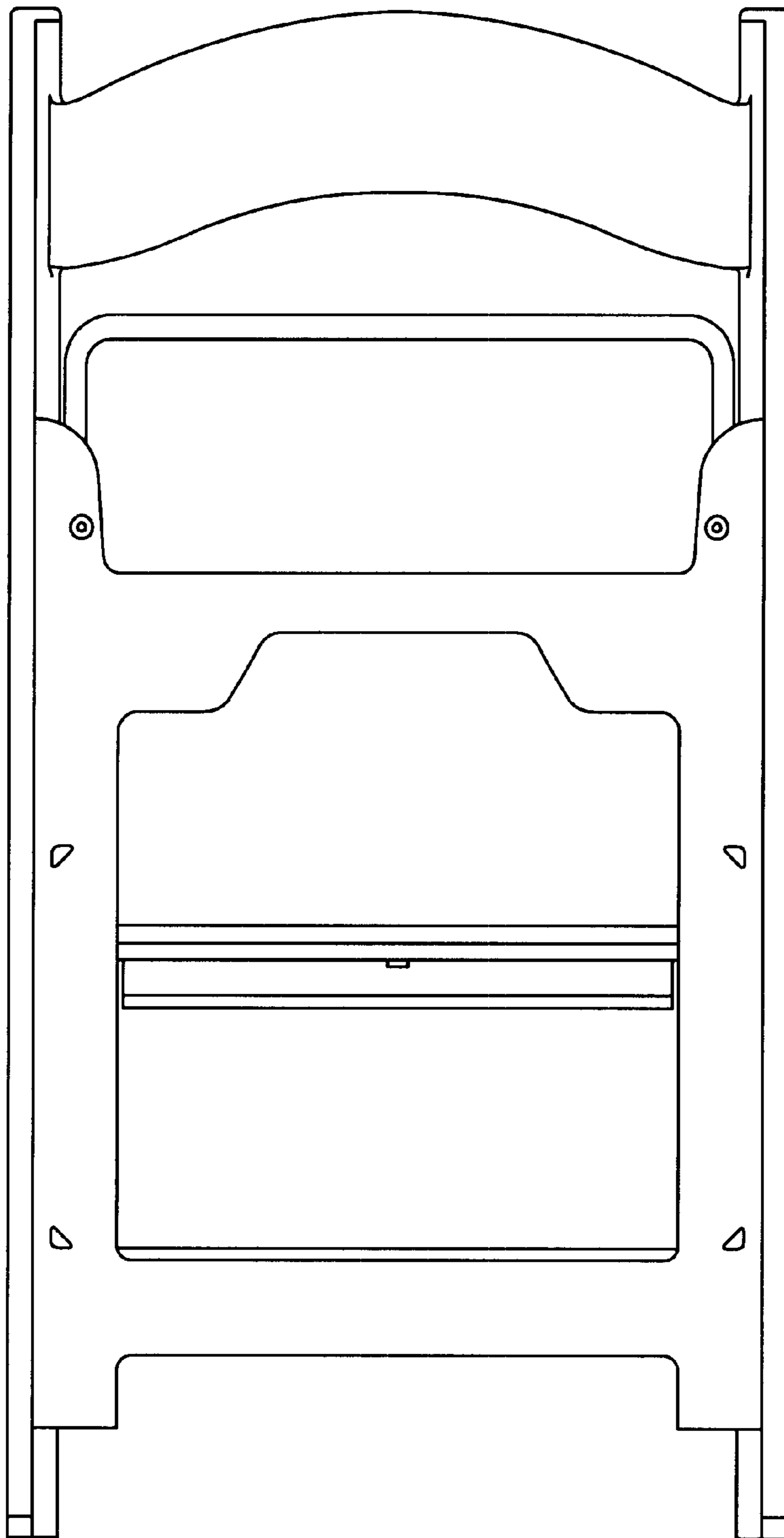


FIG. 3

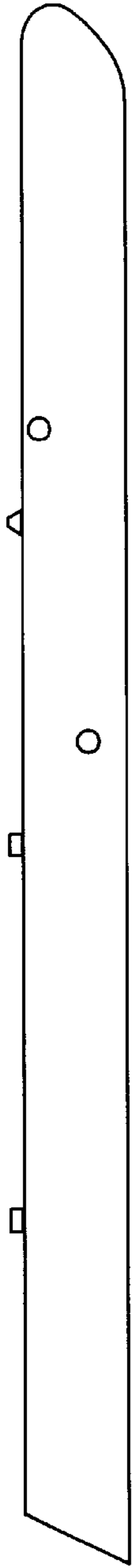


FIG. 4

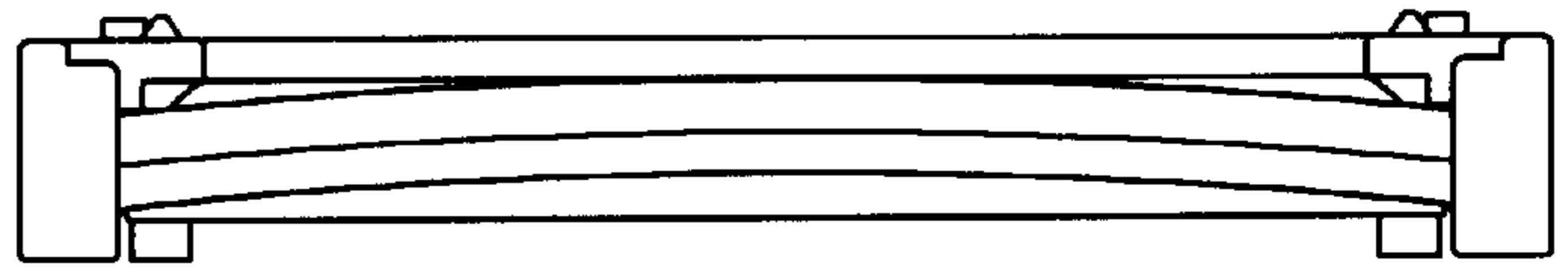


FIG. 5

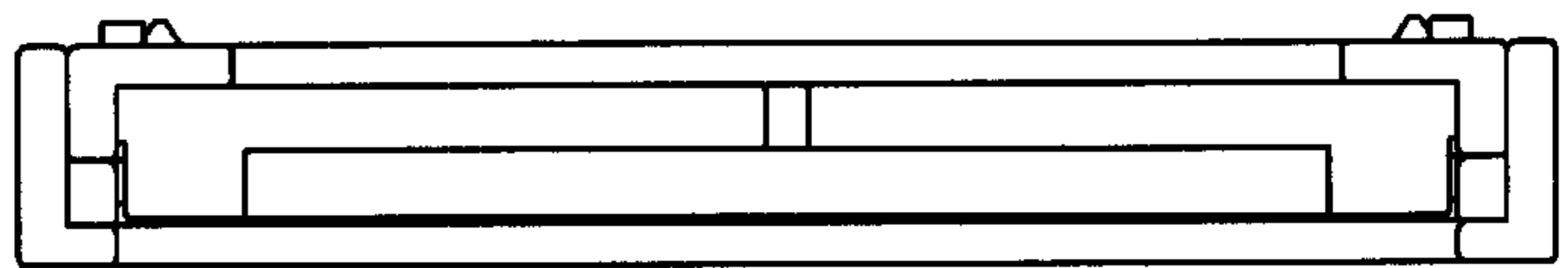


FIG. 6