



US00D467086S

(12) **United States Design Patent**
Steelman

(10) **Patent No.:** **US D467,086 S**

(45) **Date of Patent:** **** Dec. 17, 2002**

(54) **COMBINED CHAIR AND GAMING MACHINE**

(76) Inventor: **Paul C. Steelman**, 8608 Scarsdale Dr.,
Las Vegas, NV (US) 89117-5841

(**) Term: **14 Years**

(21) Appl. No.: **29/148,987**

(22) Filed: **Sep. 28, 2001**

Related U.S. Application Data

(63) Continuation-in-part of application No. 09/678,853, filed on
Oct. 4, 2000.

(51) **LOC (7) Cl.** **06-01**

(52) **U.S. Cl.** **D6/335**

(58) **Field of Search** D6/334, 335, 336,
D6/338, 341, 364, 367, 371, 374, 375;
297/118, 145, 217.3

(56) **References Cited**

U.S. PATENT DOCUMENTS

D102,971 S	*	1/1937	Hale	D6/336
D215,597 S	*	10/1969	Rich	D6/335
D219,872 S	*	2/1971	Larsen	D6/335
D230,383 S	*	2/1974	Atkinson	D6/335
D236,566 S	*	9/1975	Parchan	D6/335
D250,230 S	*	11/1978	Kotula	D6/341
D260,823 S	*	9/1981	Stulik, Jr.	D6/335
D262,165 S	*	12/1981	Andries et al.	D6/335
D266,119 S	*	9/1982	Larsen	D6/335
5,056,864 A		10/1991	Cooper	297/188
5,807,177 A		9/1998	Takemoto et al.	463/47
6,092,868 A		7/2000	Wynn	297/146
6,102,476 A		8/2000	May et al.	297/217
6,145,926 A		11/2000	Lin	297/217

* cited by examiner

Primary Examiner—Doris V. Coles
Assistant Examiner—Mimosa De

(74) *Attorney, Agent, or Firm*—Jeffer, Mangels, Butler &
Marmaro LLP

(57) **CLAIM**

The ornamental design for a combined chair and gaming machine, as shown and described.

DESCRIPTION

FIG. 1 is a perspective view of the combined chair and gaming machine in accordance with a first embodiment of the present invention.

FIG. 2 is a front elevational view of the combined chair and gaming machine of FIG. 1.

FIG. 3 is a rear elevational view of the combined chair and gaming machine of FIG. 1.

FIG. 4 is a right side elevational view of the combined chair and gaming machine of FIG. 1.

FIG. 5 is a left side elevational view of the combined chair and gaming machine of FIG. 1.

FIG. 6 is a top plan view of the combined chair and gaming machine of FIG. 1.

FIG. 7 is a bottom plan view of the combined chair and gaming machine of FIG. 1.

FIG. 8 is a perspective view of the combined chair and gaming machine in accordance with a second embodiment of the present invention.

FIG. 9 is a front elevational view of the combined chair and gaming machine of FIG. 8.

FIG. 10 is a rear elevational view of the combined chair and gaming machine of FIG. 8.

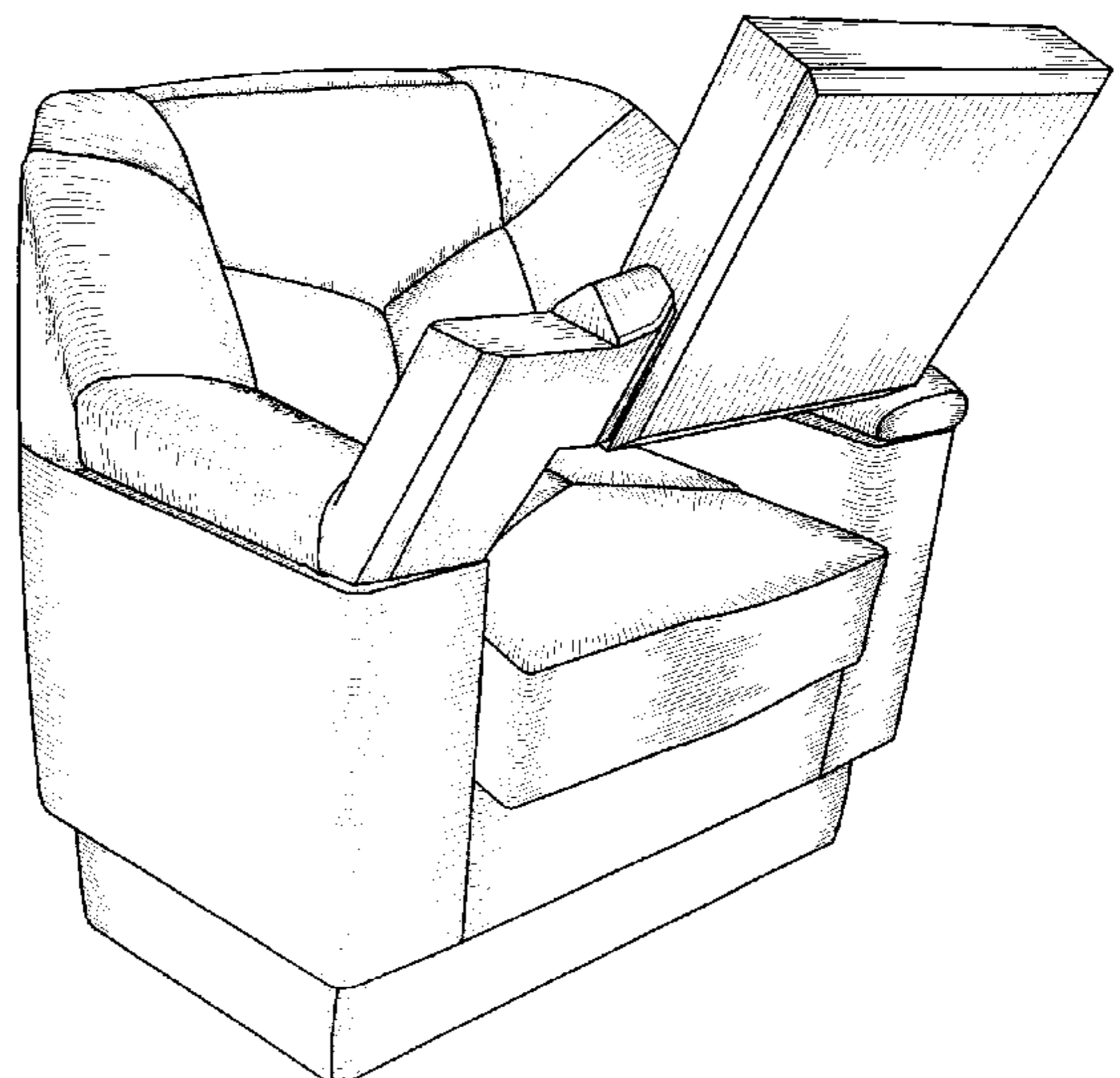
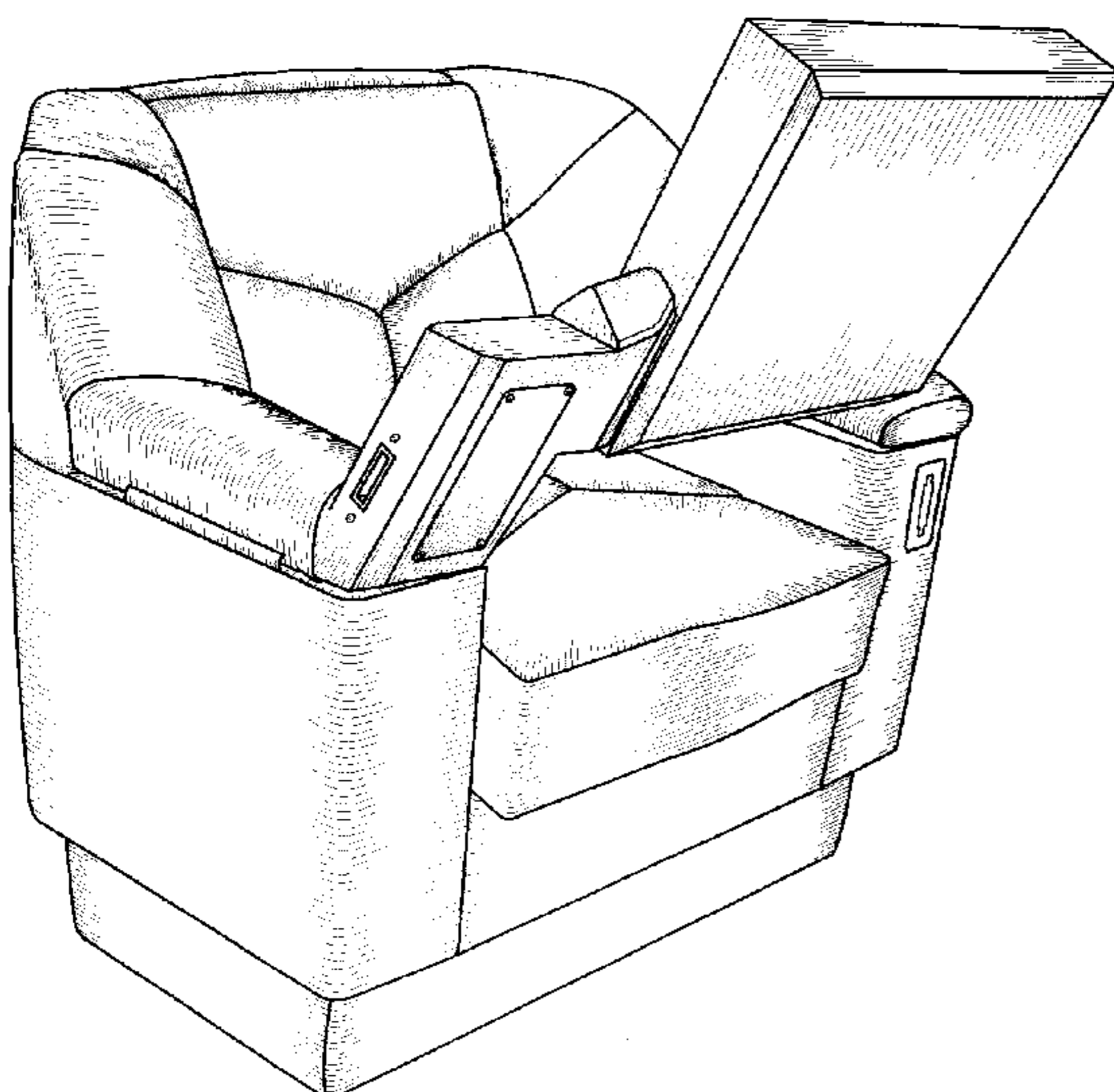
FIG. 11 is a right side elevational view of the combined chair and gaming machine of FIG. 8.

FIG. 12 is a left side elevational view of the combined chair and gaming machine of FIG. 8.

FIG. 13 is a top plan view of the combined chair and gaming machine of FIG. 8; and,

FIG. 14 is a bottom plan view of the combined chair and gaming machine of FIG. 8.

1 Claim, 10 Drawing Sheets



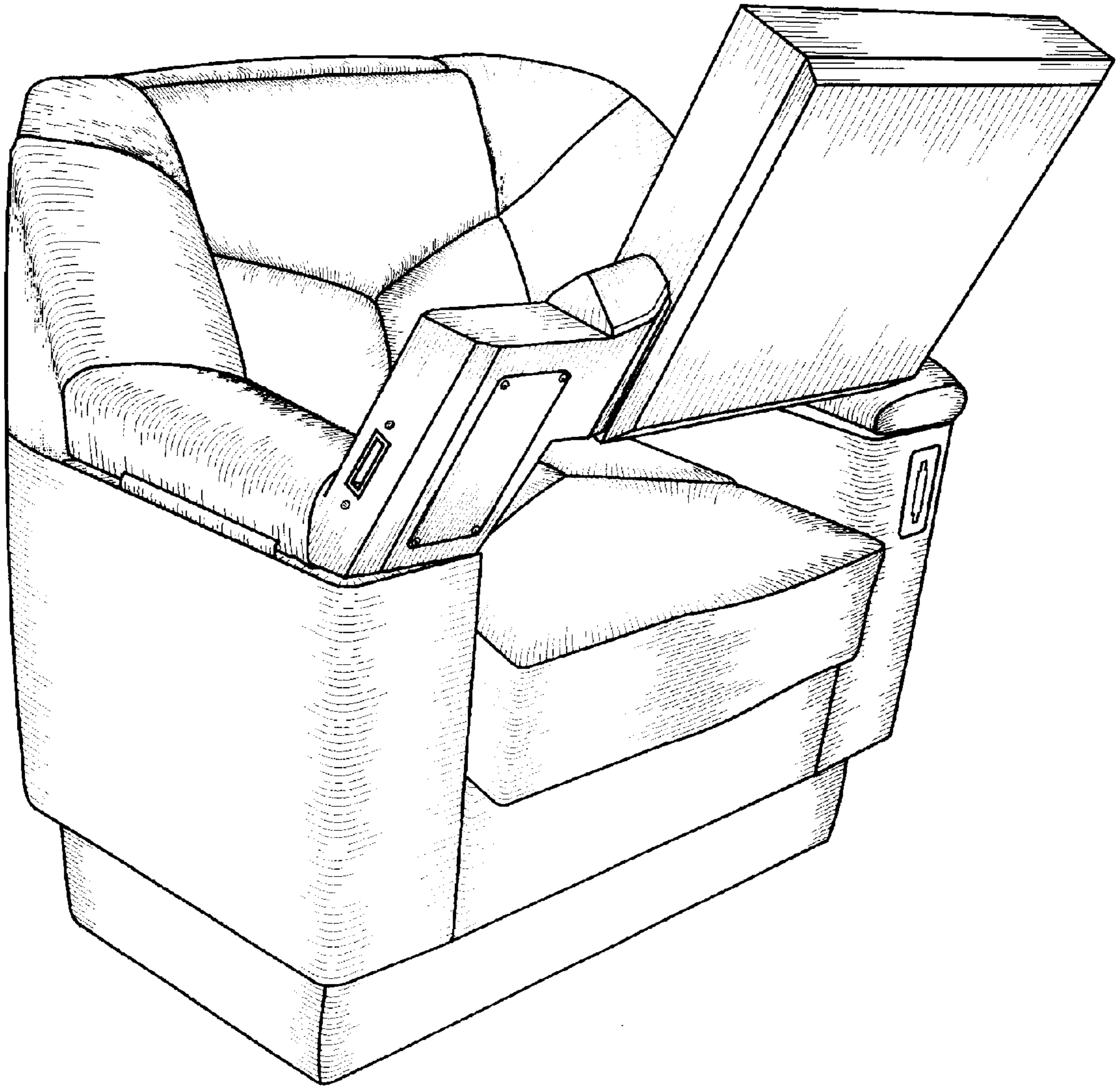


FIG. 1

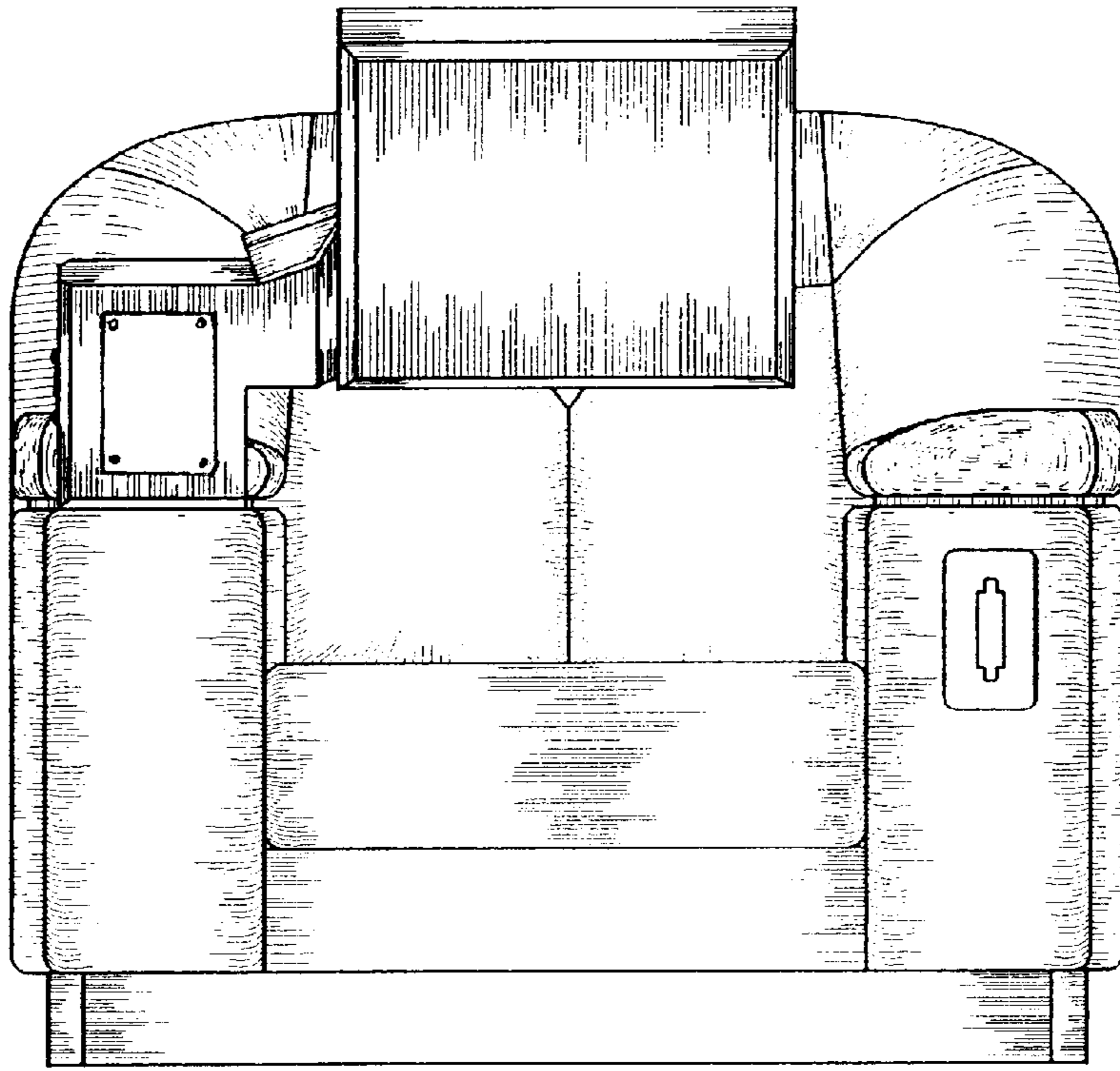


FIG. 2

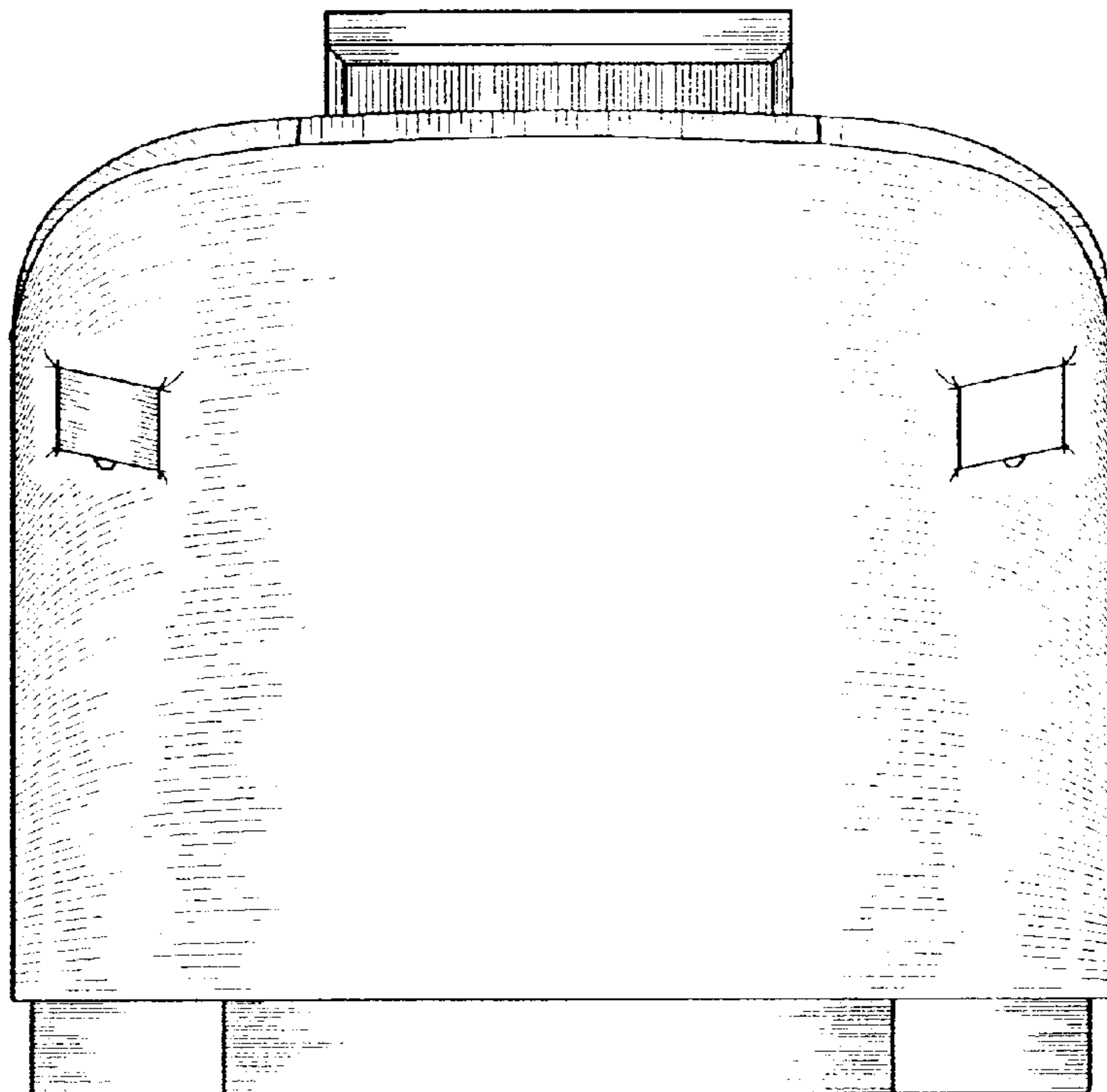


FIG. 3

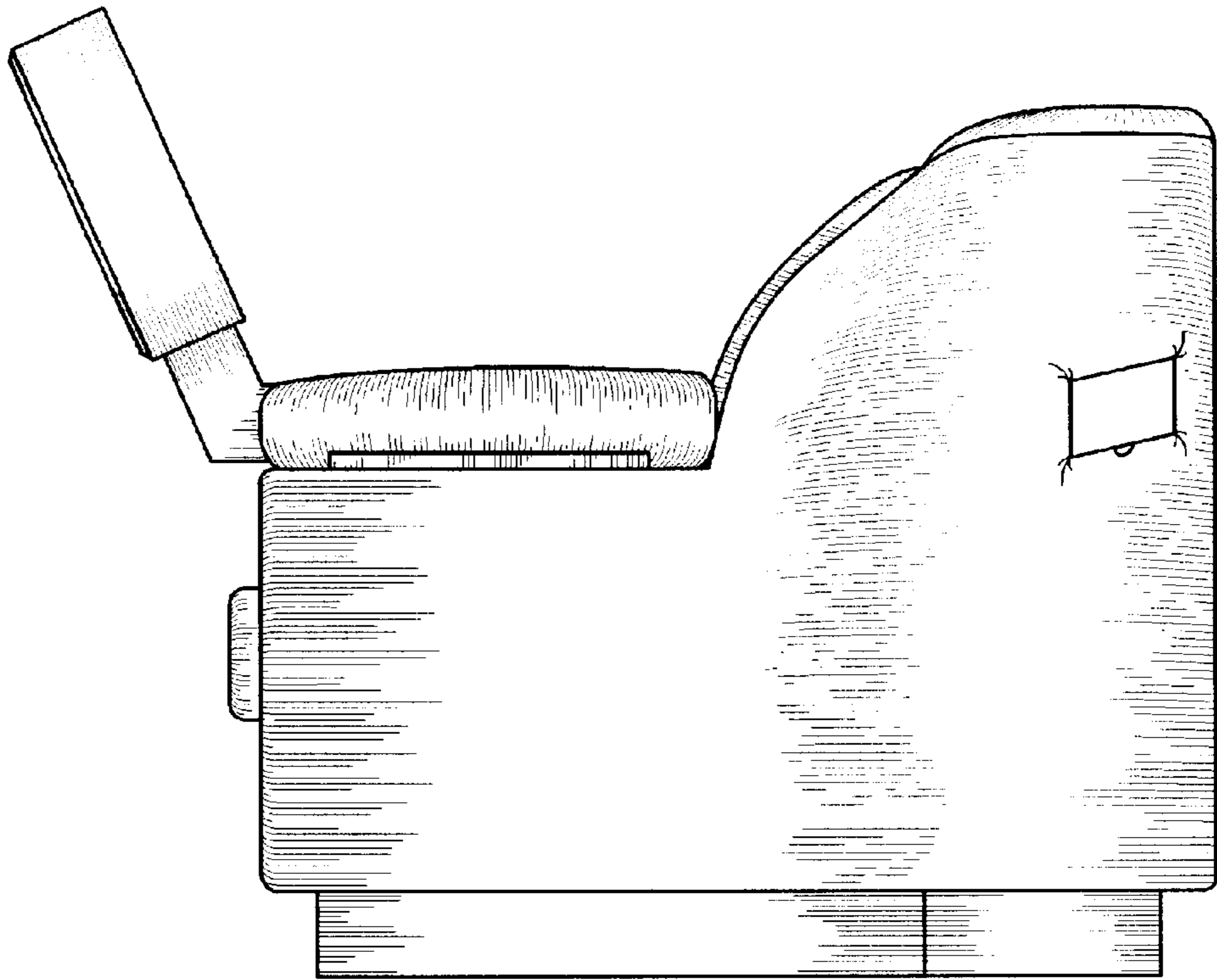


FIG. 4

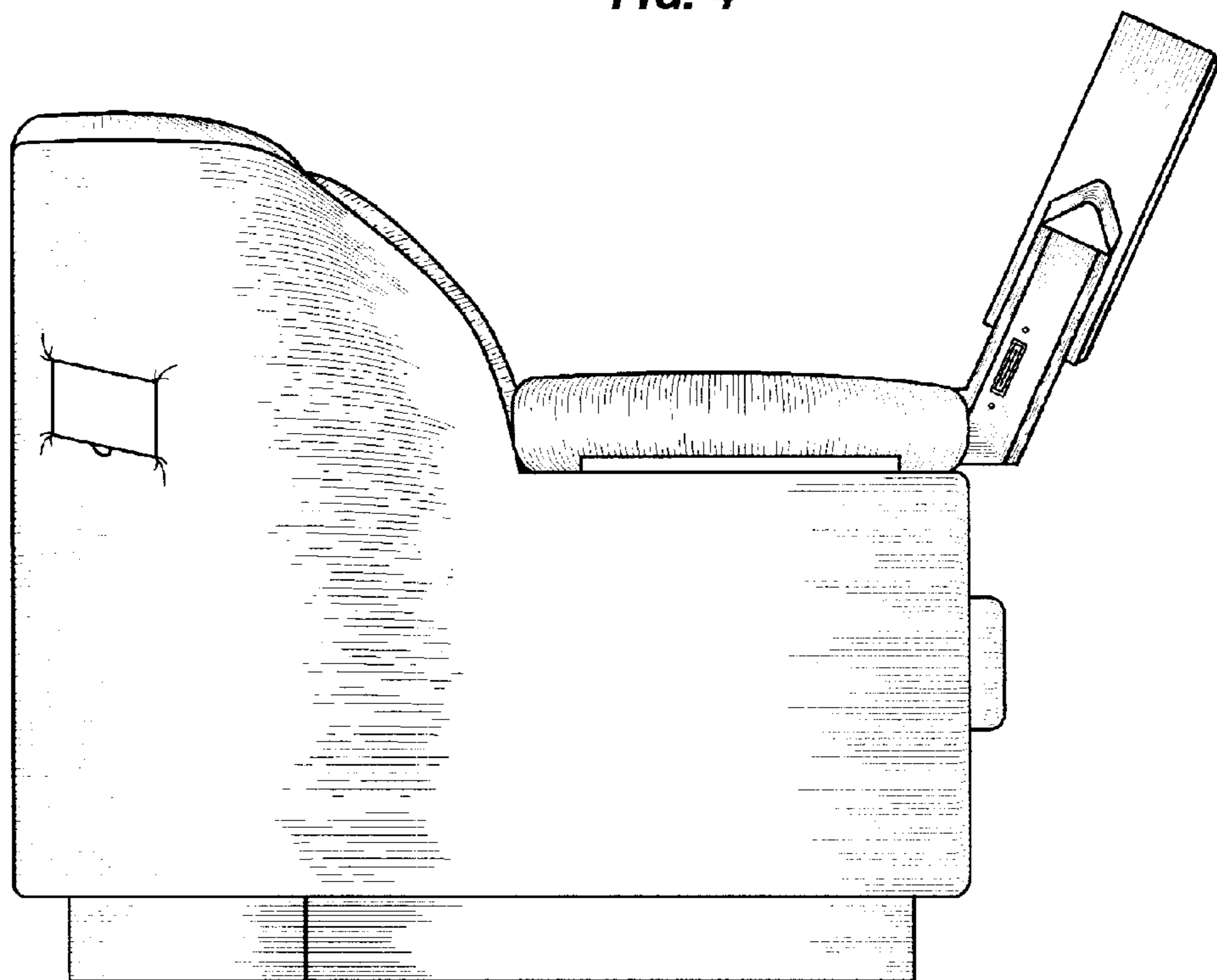


FIG. 5

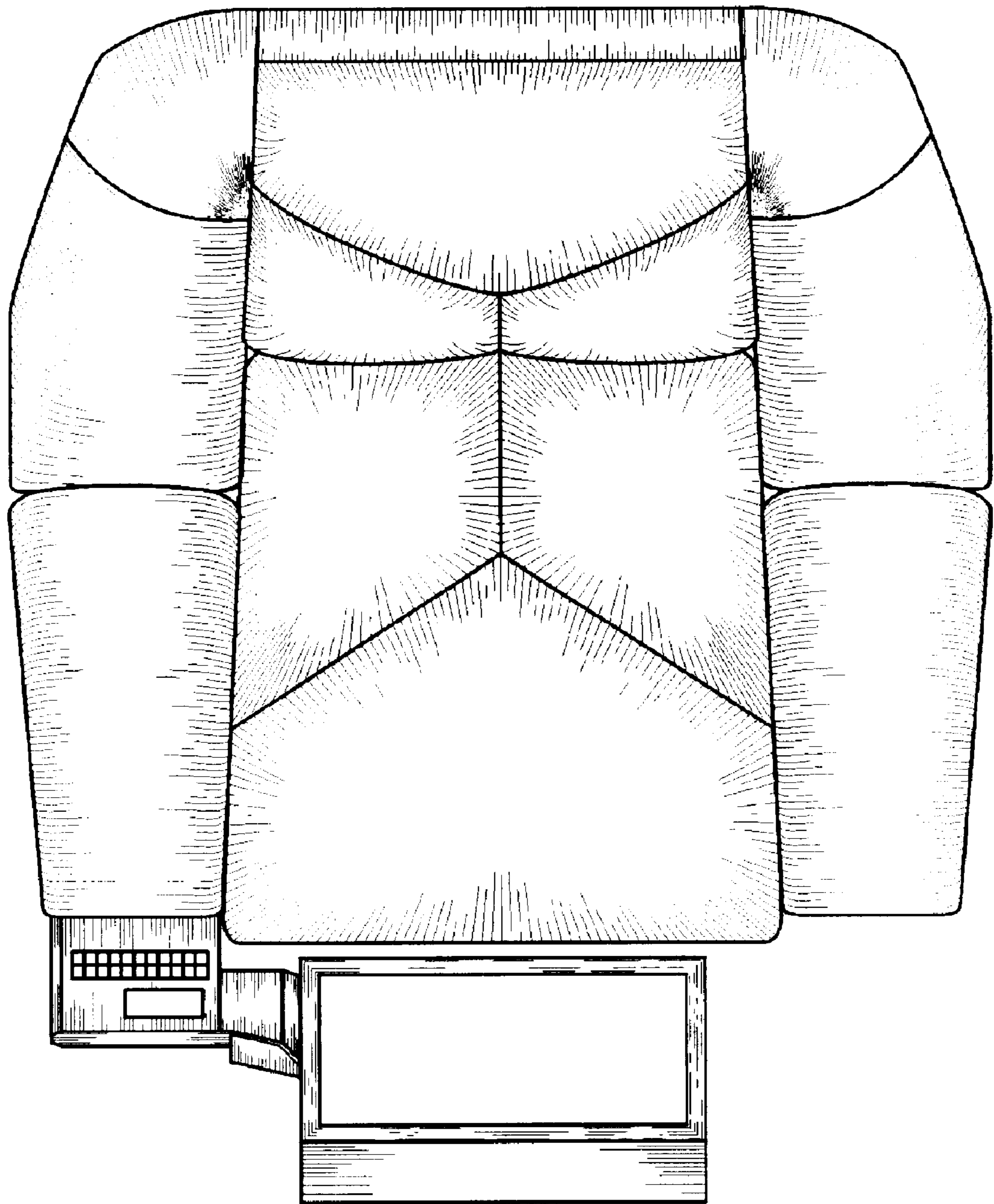


FIG. 6

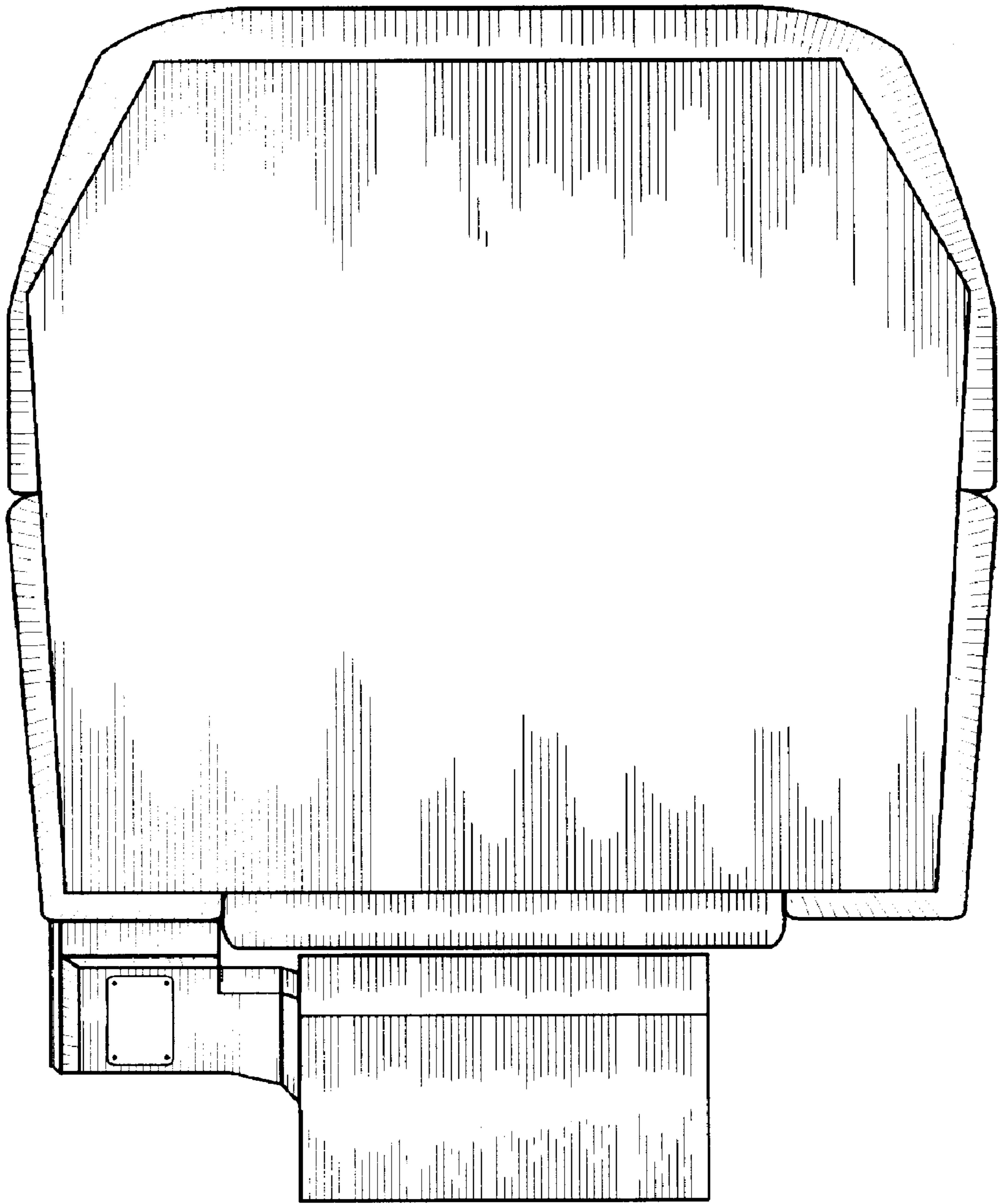


FIG. 7

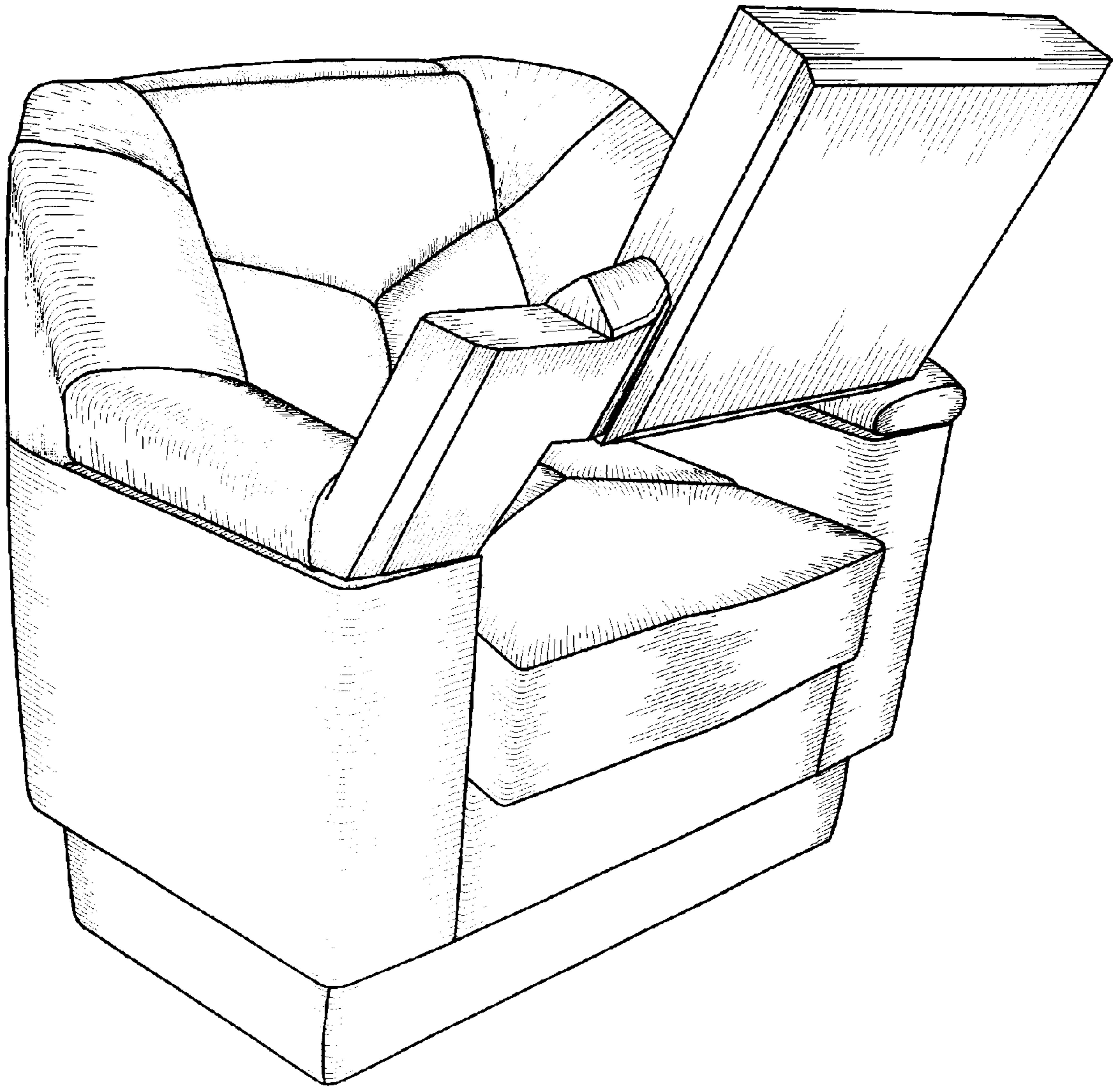


FIG. 8

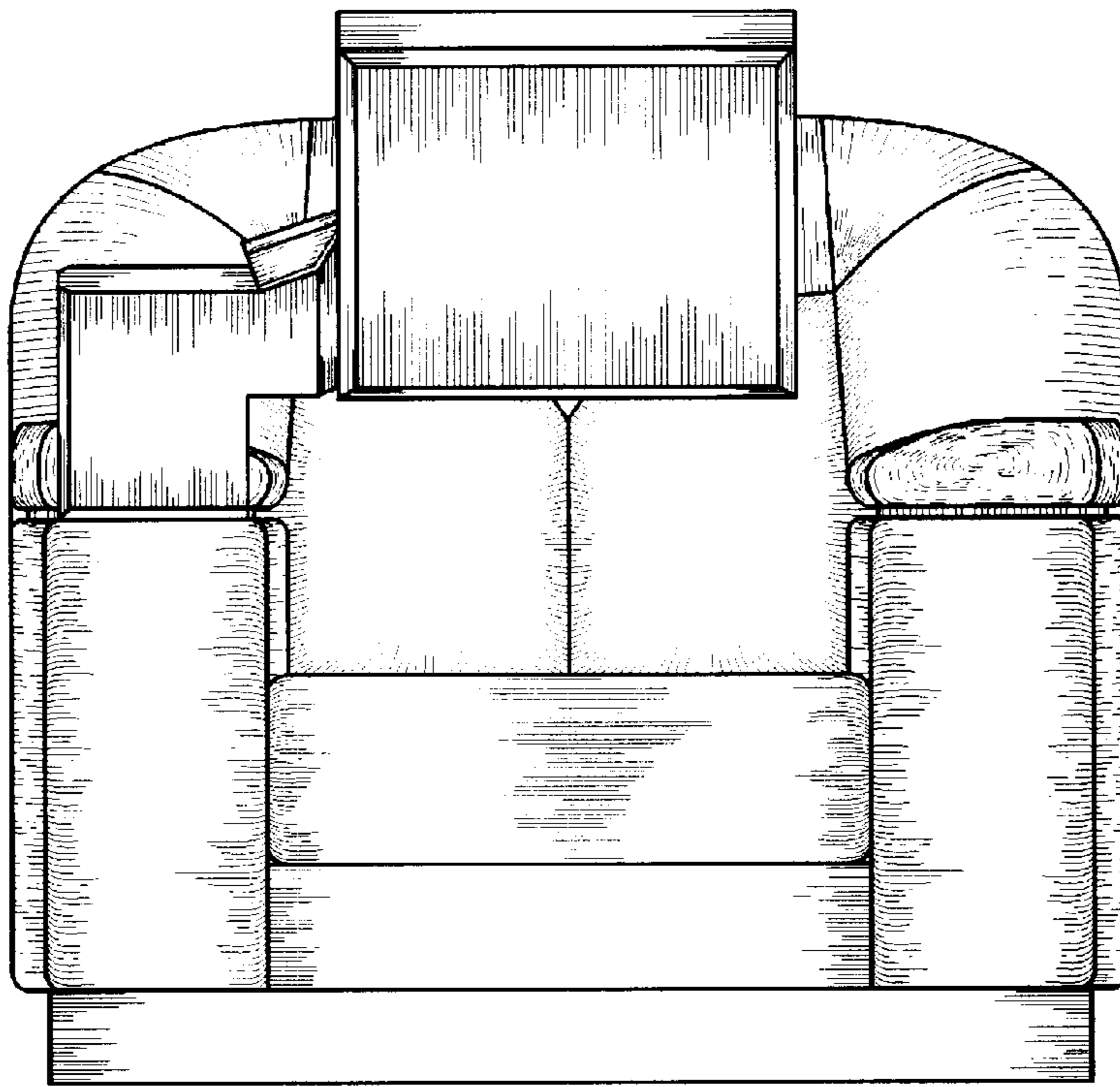


FIG. 9

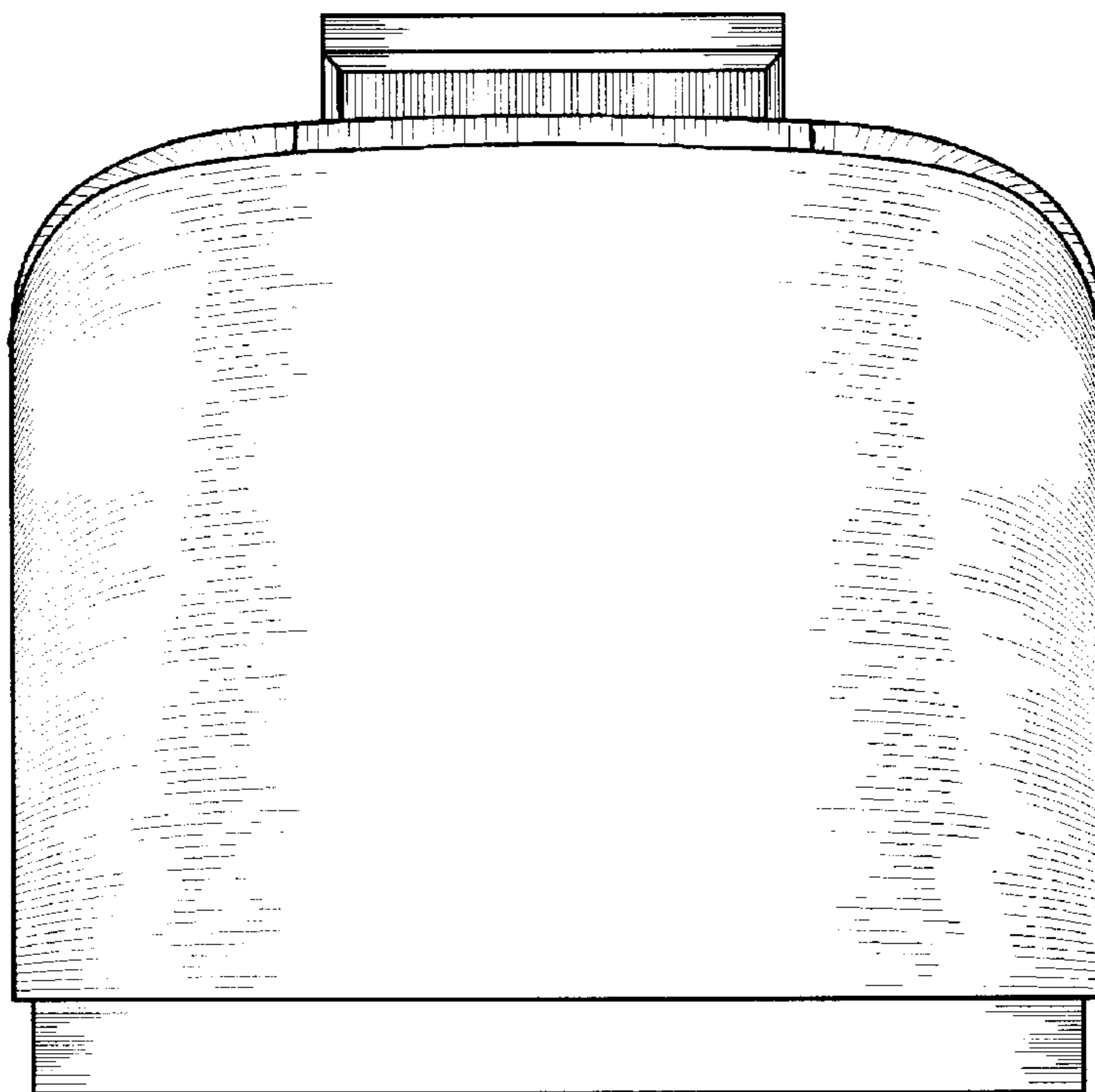


FIG. 10

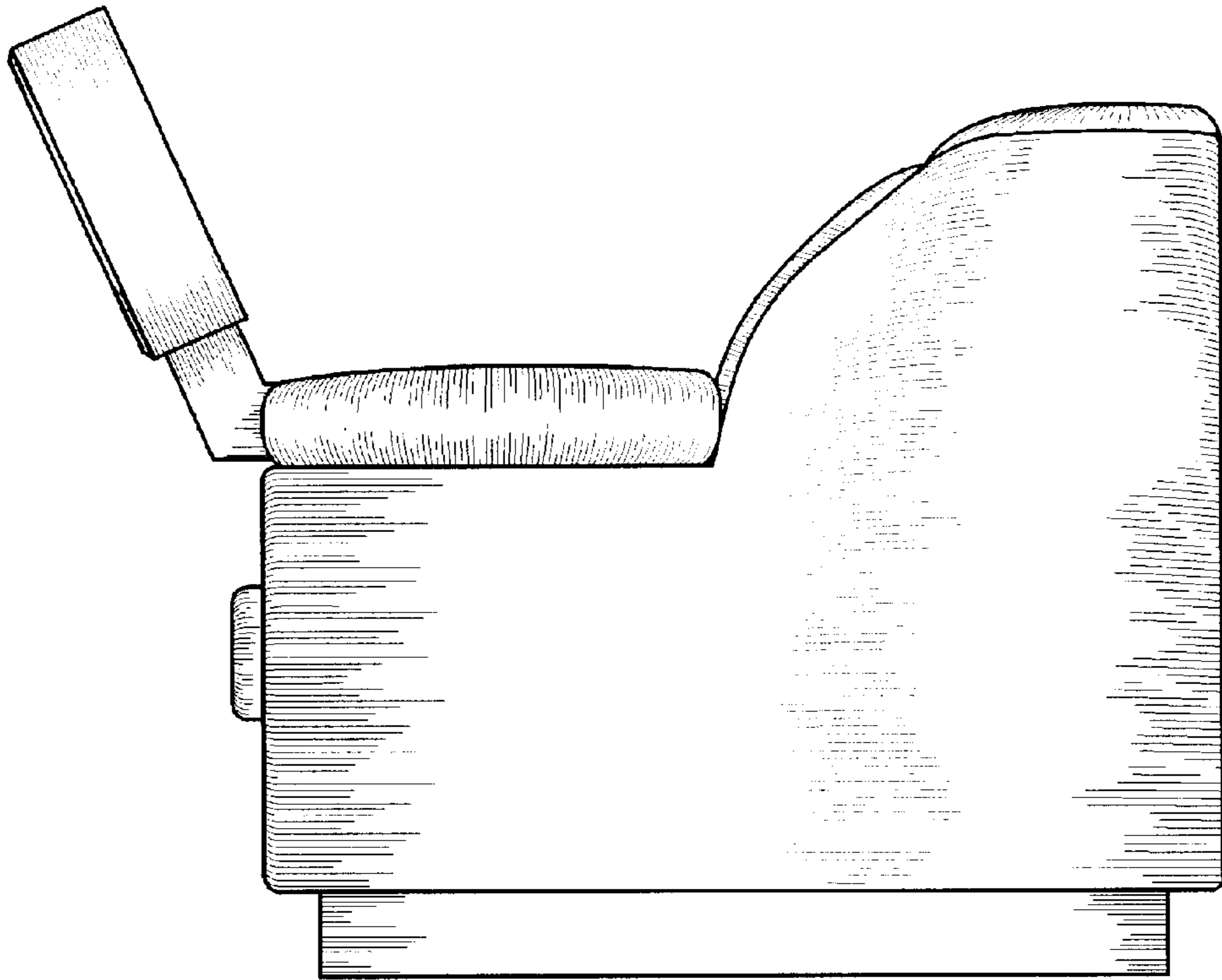


FIG. 11

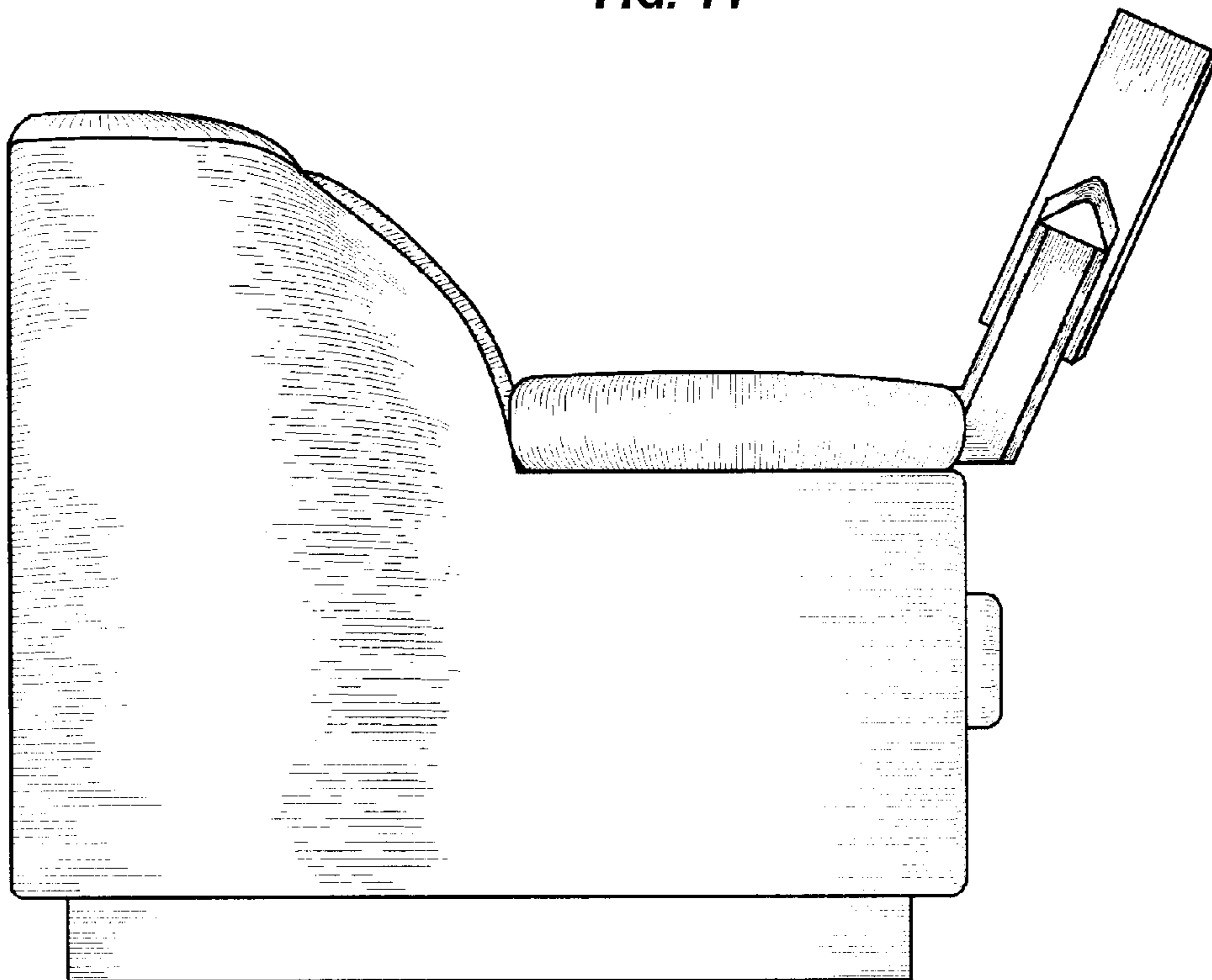


FIG. 12

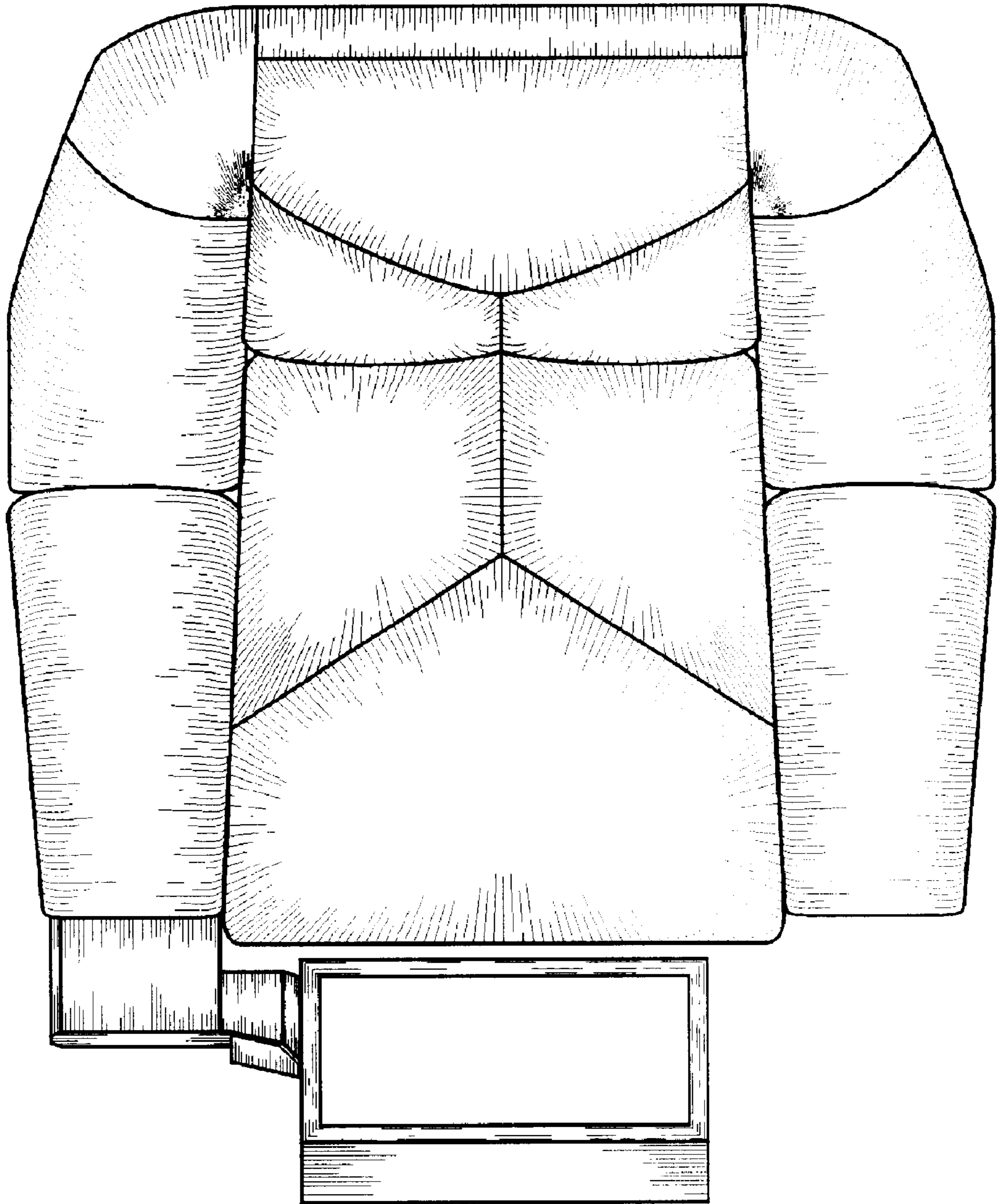


FIG. 13

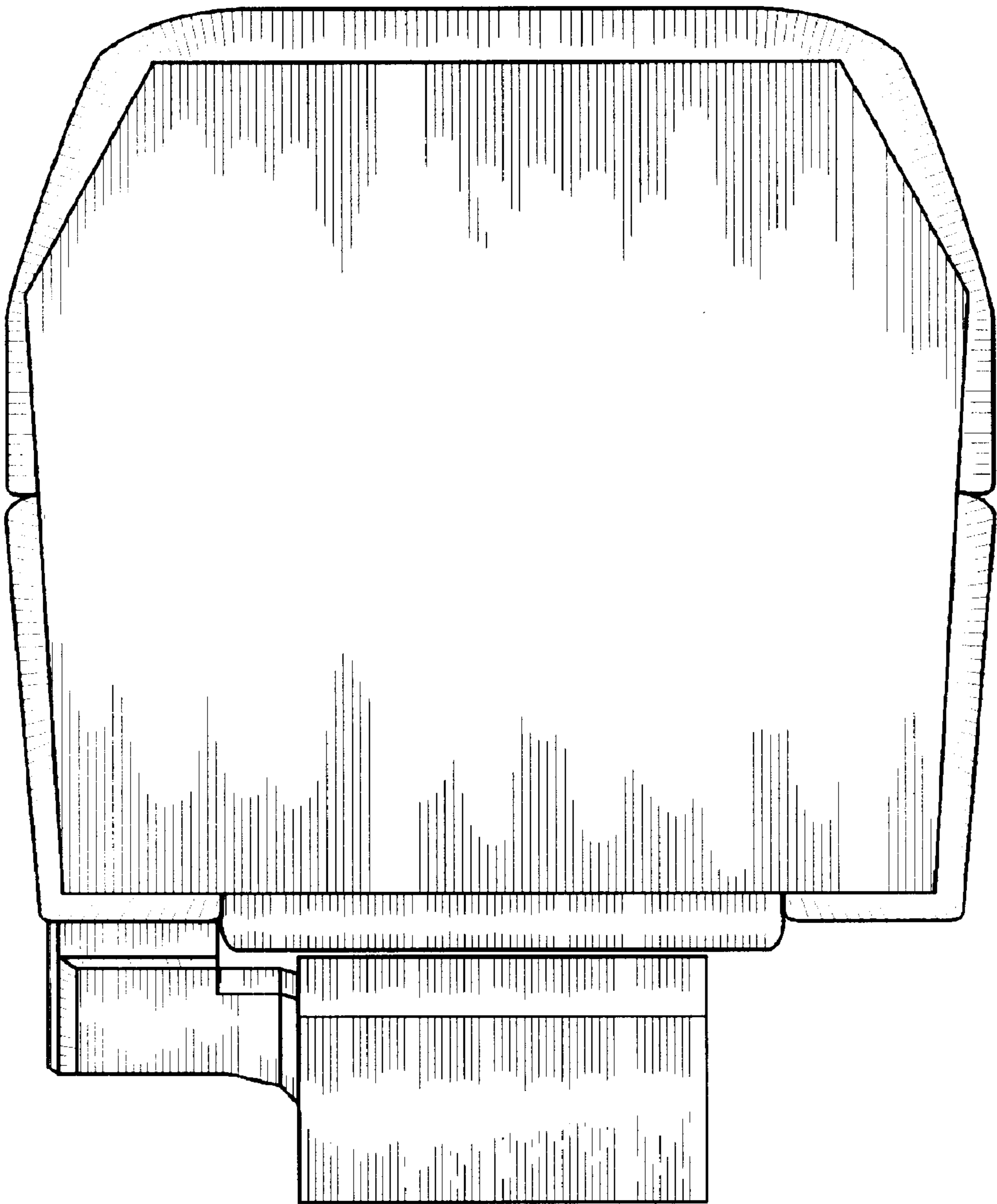


FIG. 14