



US00D467085S

(12) **United States Design Patent**  
**Kamiki**

(10) **Patent No.:** **US D467,085 S**

(45) **Date of Patent:** **\*\* Dec. 17, 2002**

(54) **SAFETY SEAT FOR A CHILD**

(76) **Inventor:** **Hiroshi Kamiki**, 11-1, Honmachi  
5-chome, Toyonaka-shi, Osaka,  
560-0021 (JP)

(\*\*) **Term:** **14 Years**

(21) **Appl. No.:** **29/146,755**

(22) **Filed:** **Aug. 16, 2001**

(51) **LOC (7) Cl.** ..... **06-01**

(52) **U.S. Cl.** ..... **D6/333; D6/601**

(58) **Field of Search** ..... D6/334, 335, 336,  
D6/368, 374, 500-502, 595, 596, 601;  
D3/274, 276, 295, 303; 297/183.5, 255,  
250.1, 382, 467

(56) **References Cited**

**U.S. PATENT DOCUMENTS**

3,032,916	A	*	5/1962	Oakes	.....	297/183.5
D276,954	S	*	1/1985	Kruger	.....	D3/274
4,597,605	A	*	7/1986	Gilbert	.....	297/183.5
D293,868	S	*	1/1988	Paletta et al.	.....	D6/596
4,843,662	A	*	7/1989	Handelman	.....	297/382
D306,543	S	*	3/1990	Pestuglicci et al.	.....	D6/601
D332,546	S	*	1/1993	Waltner	.....	D6/601
D366,800	S	*	2/1996	Moore, Jr.	.....	D6/601
5,499,860	A	*	3/1996	Smith et al.	.....	297/255
D377,574	S	*	1/1997	Mades	.....	D6/601

D413,037 S \* 8/1999 Bellington ..... D6/596  
D416,718 S \* 11/1999 Chatman ..... D6/502

\* cited by examiner

*Primary Examiner*—Stacia Cadmus

*Assistant Examiner*—Mimosa De

(74) *Attorney, Agent, or Firm*—Armstrong, Westerman & Hattori, LLP

(57) **CLAIM**

The ornamental design for a safety seat for a child, as shown and described.

**DESCRIPTION**

FIG. 1 is a front view of the safety seat for a child;  
FIG. 2 is a rear view thereof;  
FIG. 3 is a left side view thereof;  
FIG. 4 is a top plan view thereof;  
FIG. 5 is a bottom view thereof;  
FIG. 6 is a right side view thereof;  
FIG. 7 is a cross-sectional view taken along line 7—7 of FIG. 4;  
FIG. 8 is a perspective view thereof;  
FIG. 9 is a perspective view of the safety seat for a child in a closed state; and,  
FIG. 10 is a figure showing a child seated in the safety seat. The broken line of the child in FIG. 10 is for illustrative purposes only and forms no part of the claimed design.

**1 Claim, 6 Drawing Sheets**

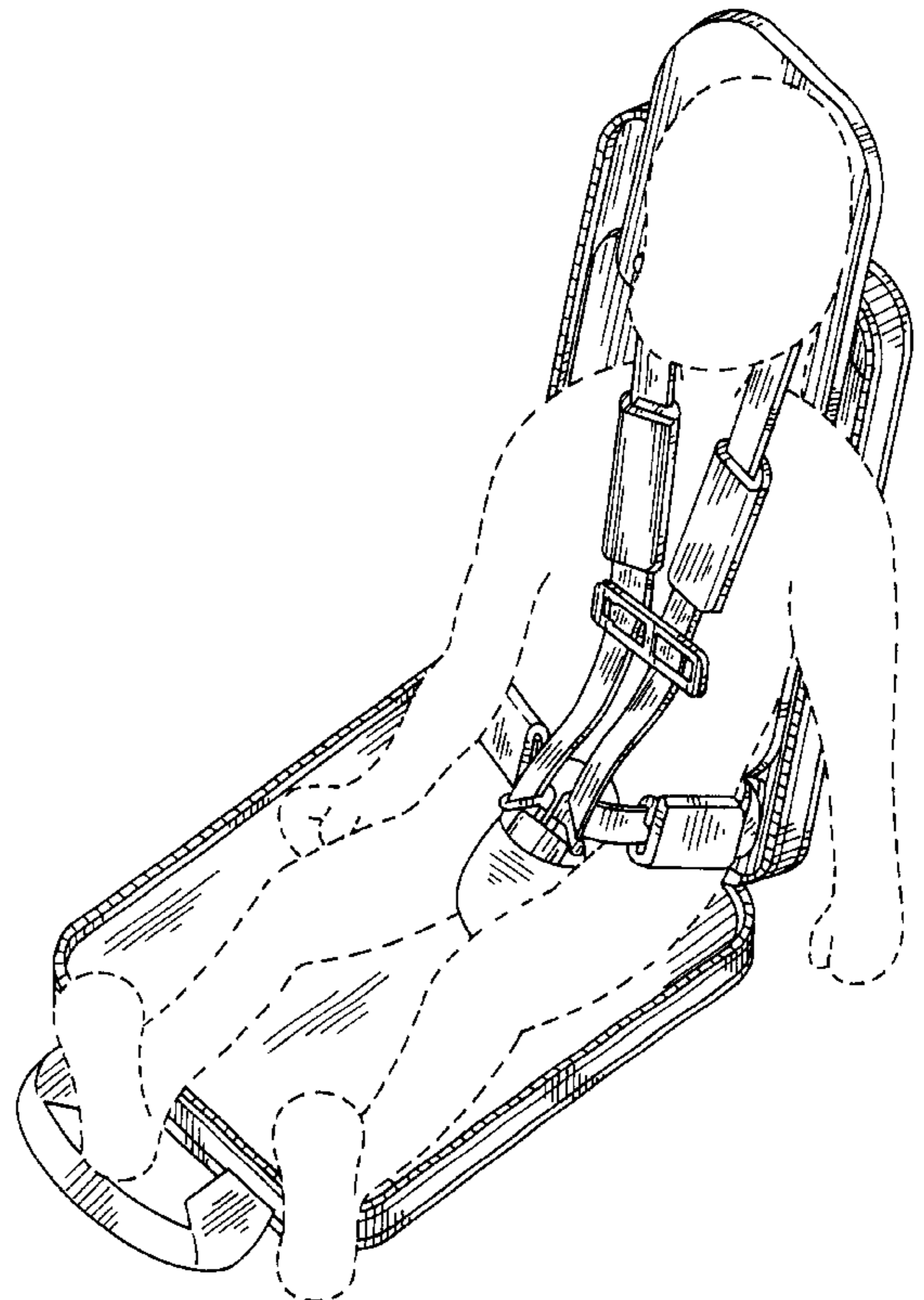
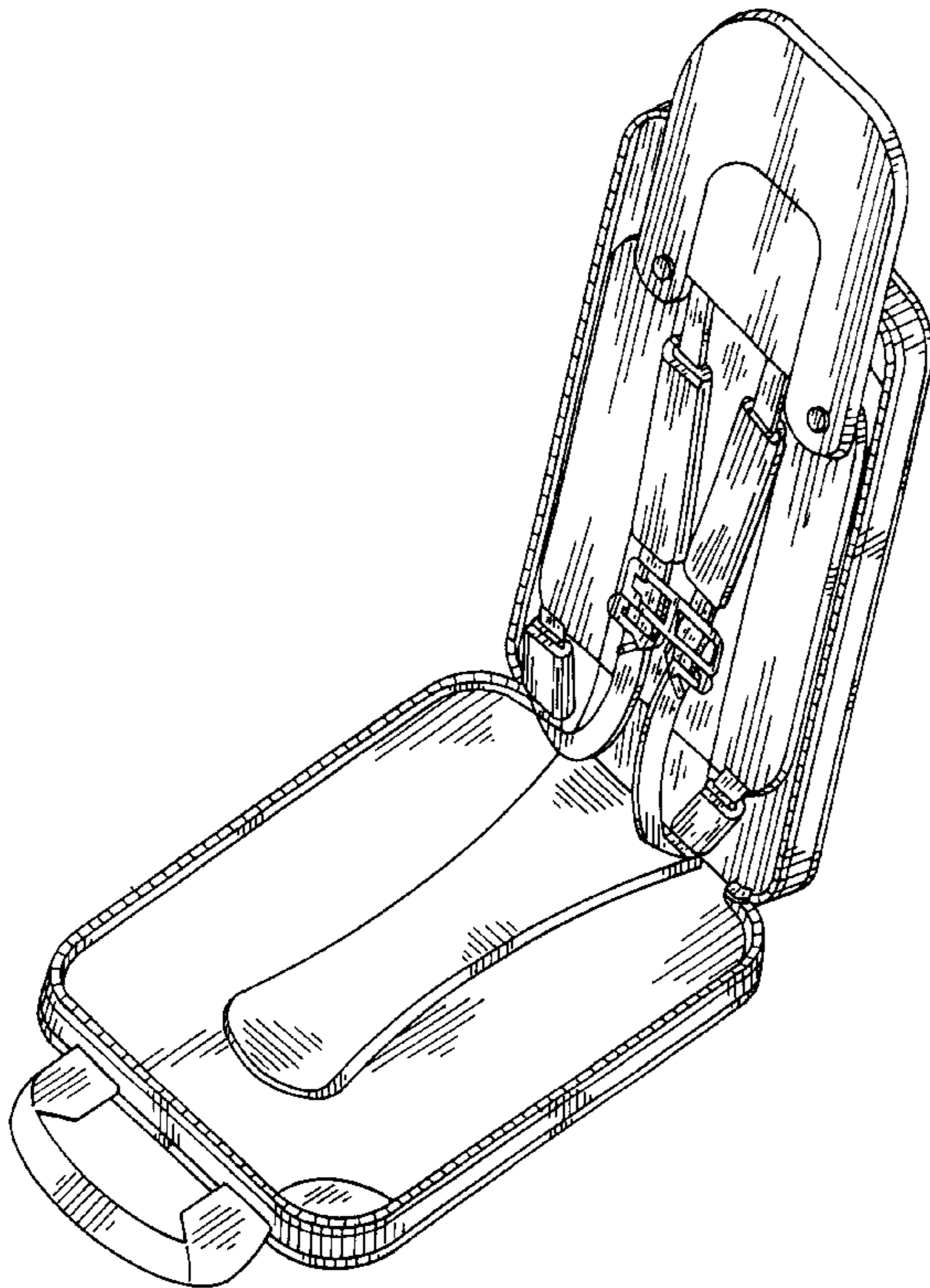


Fig.2

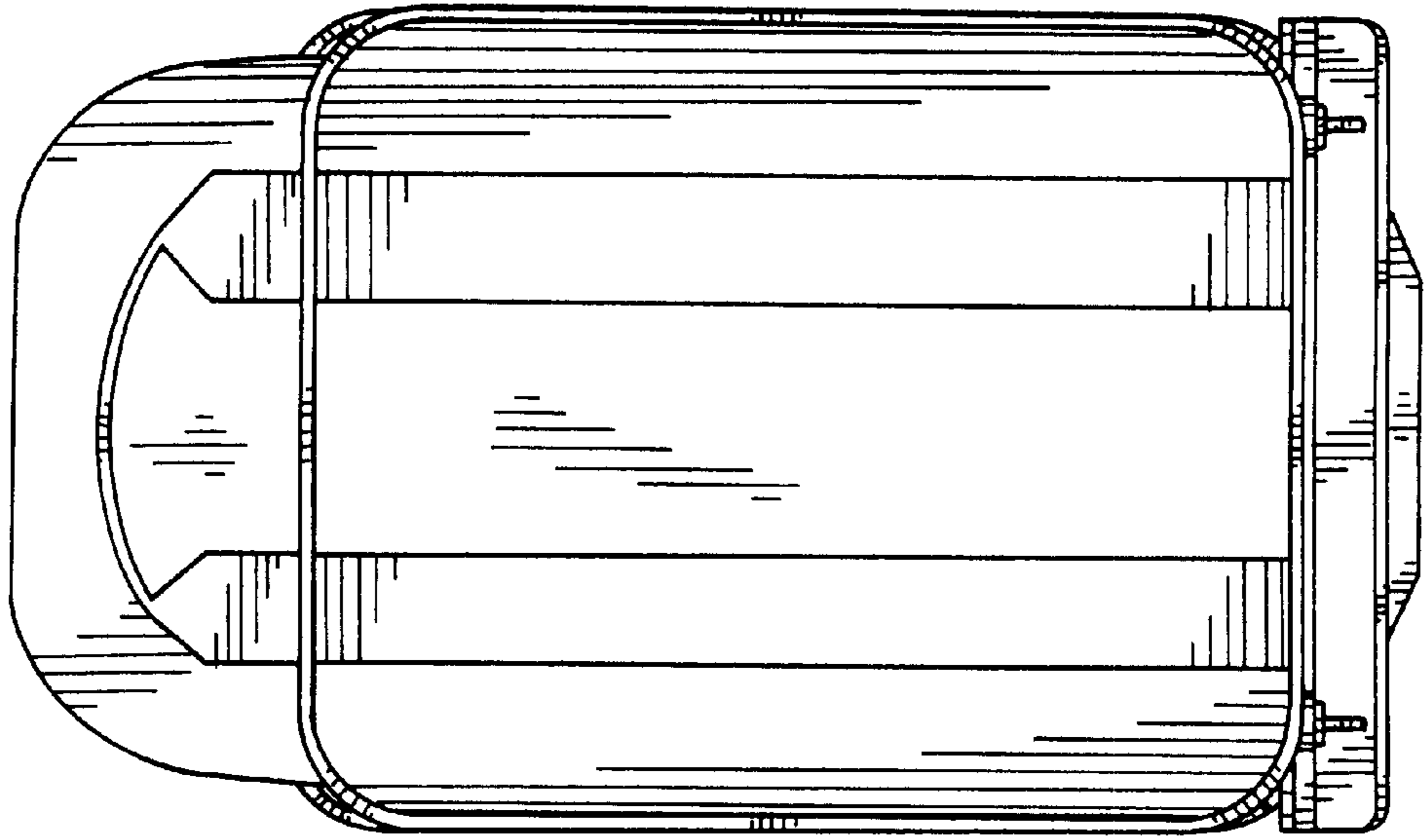
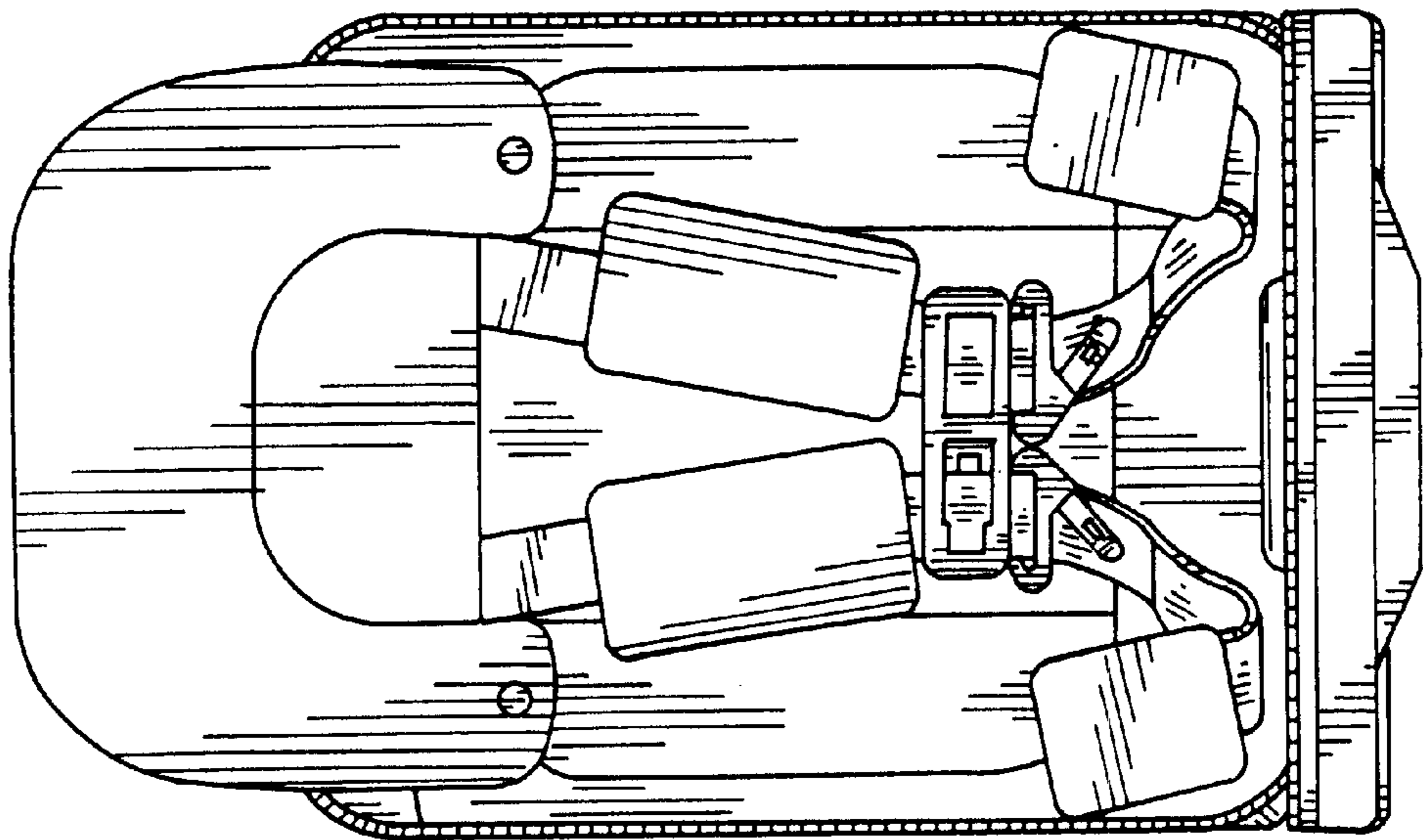


Fig.1



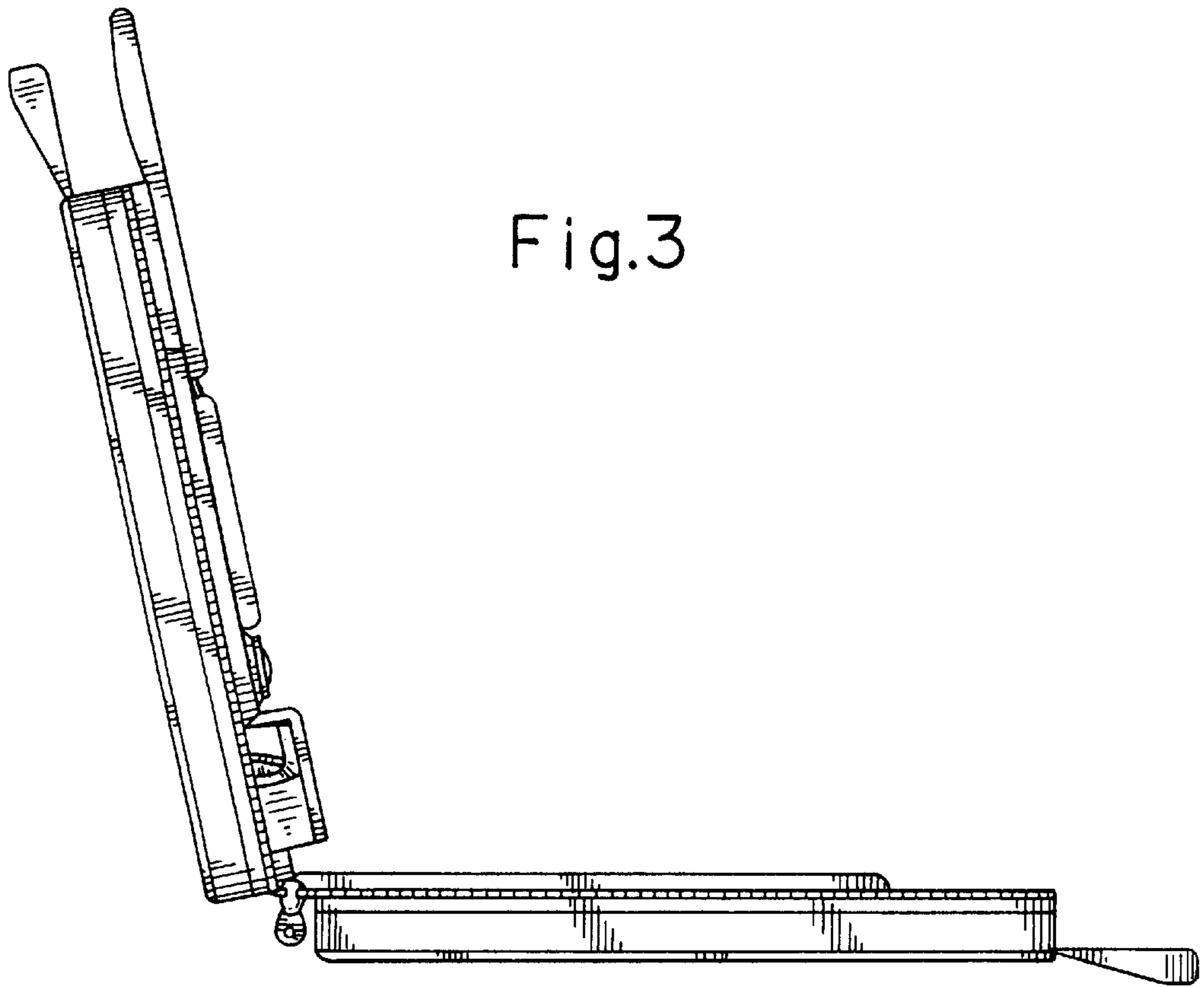


Fig.3

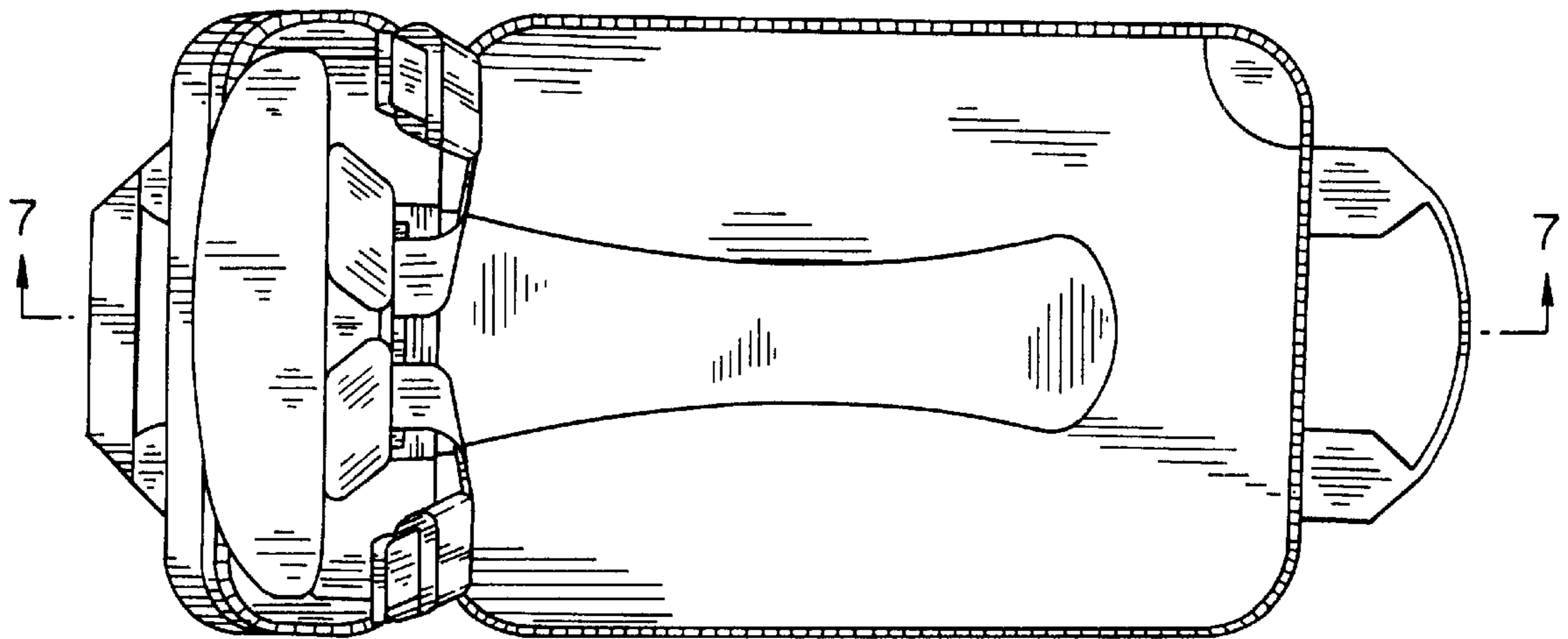


Fig.4

Fig.5

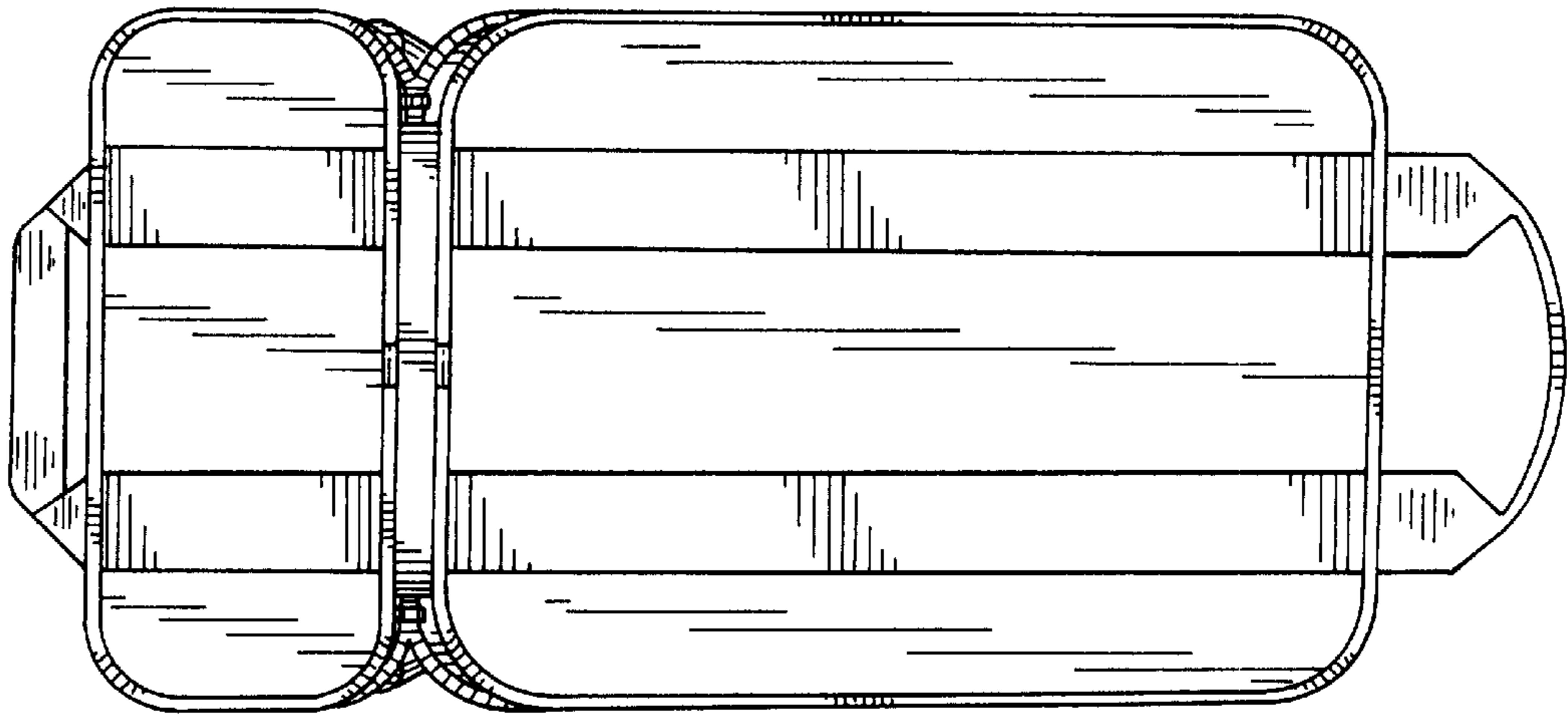


Fig.6

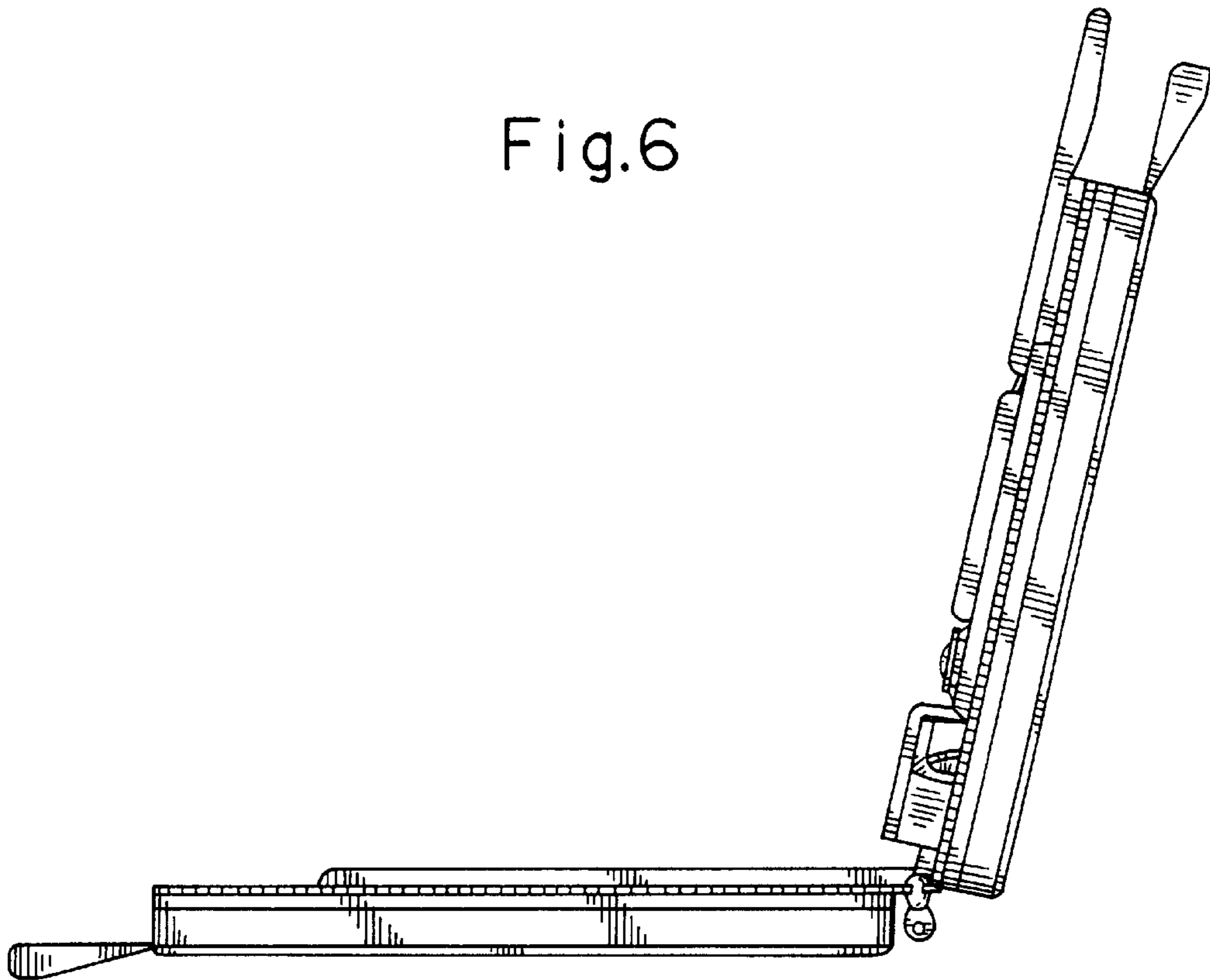


Fig.7

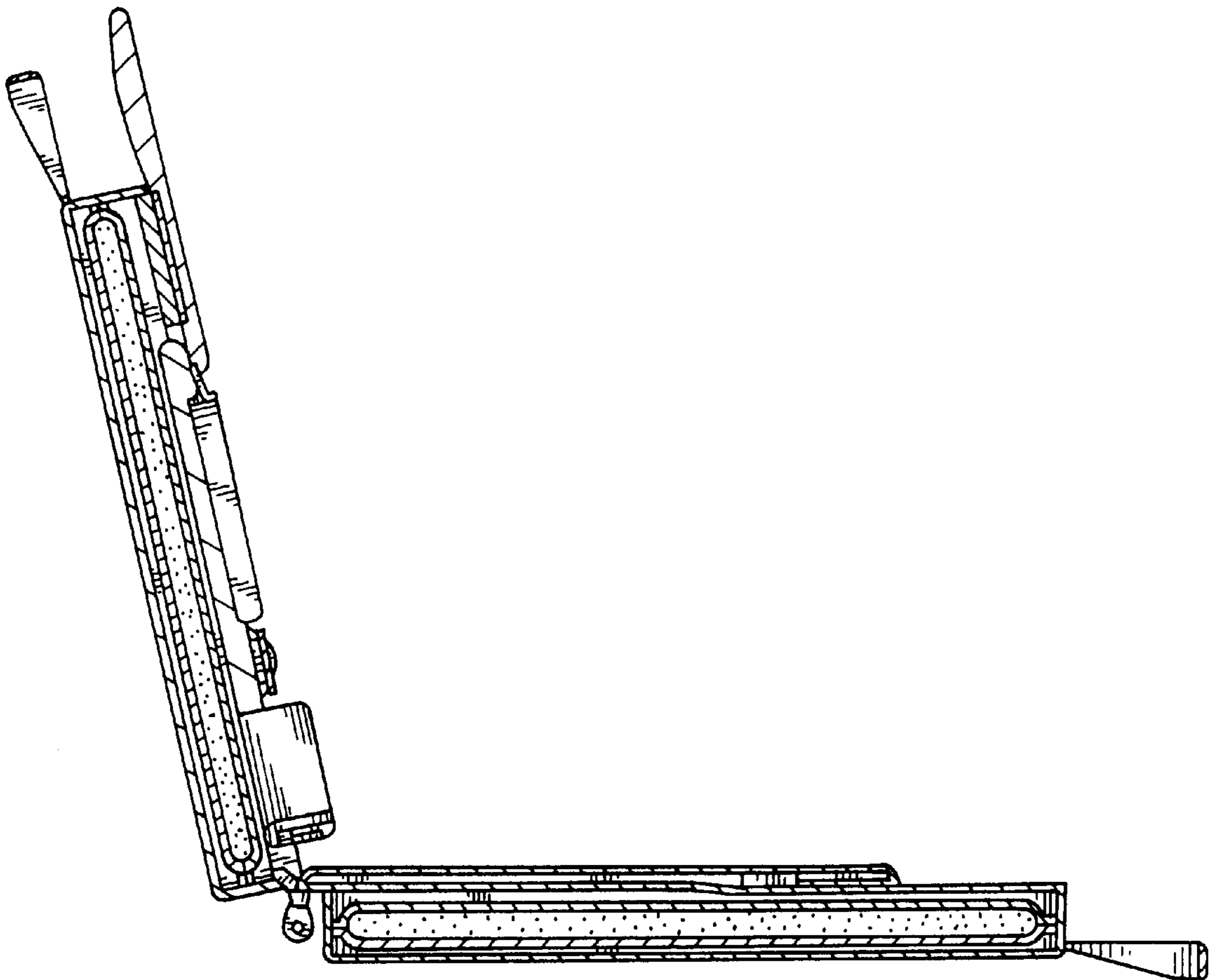


Fig.8

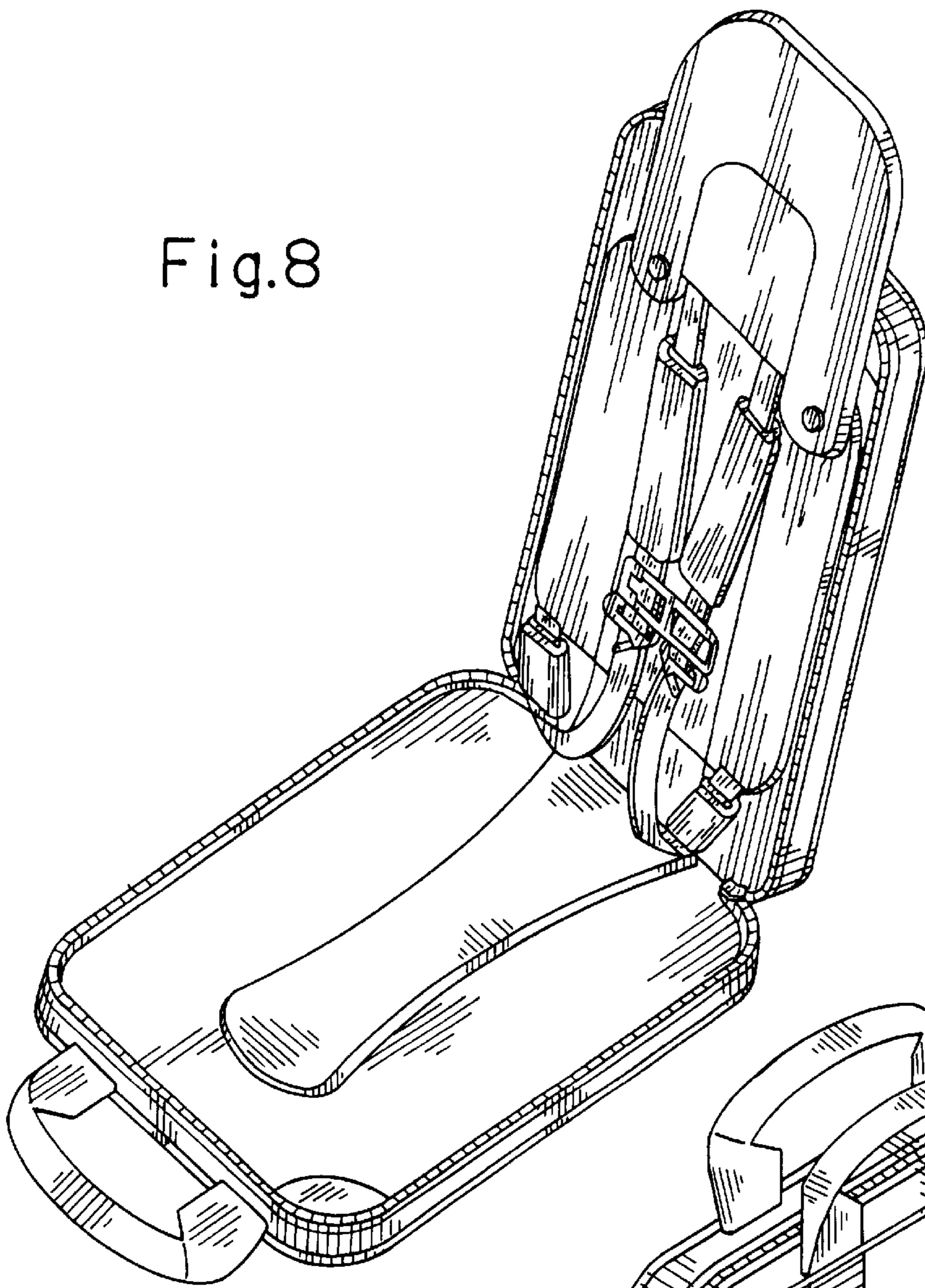


Fig.9

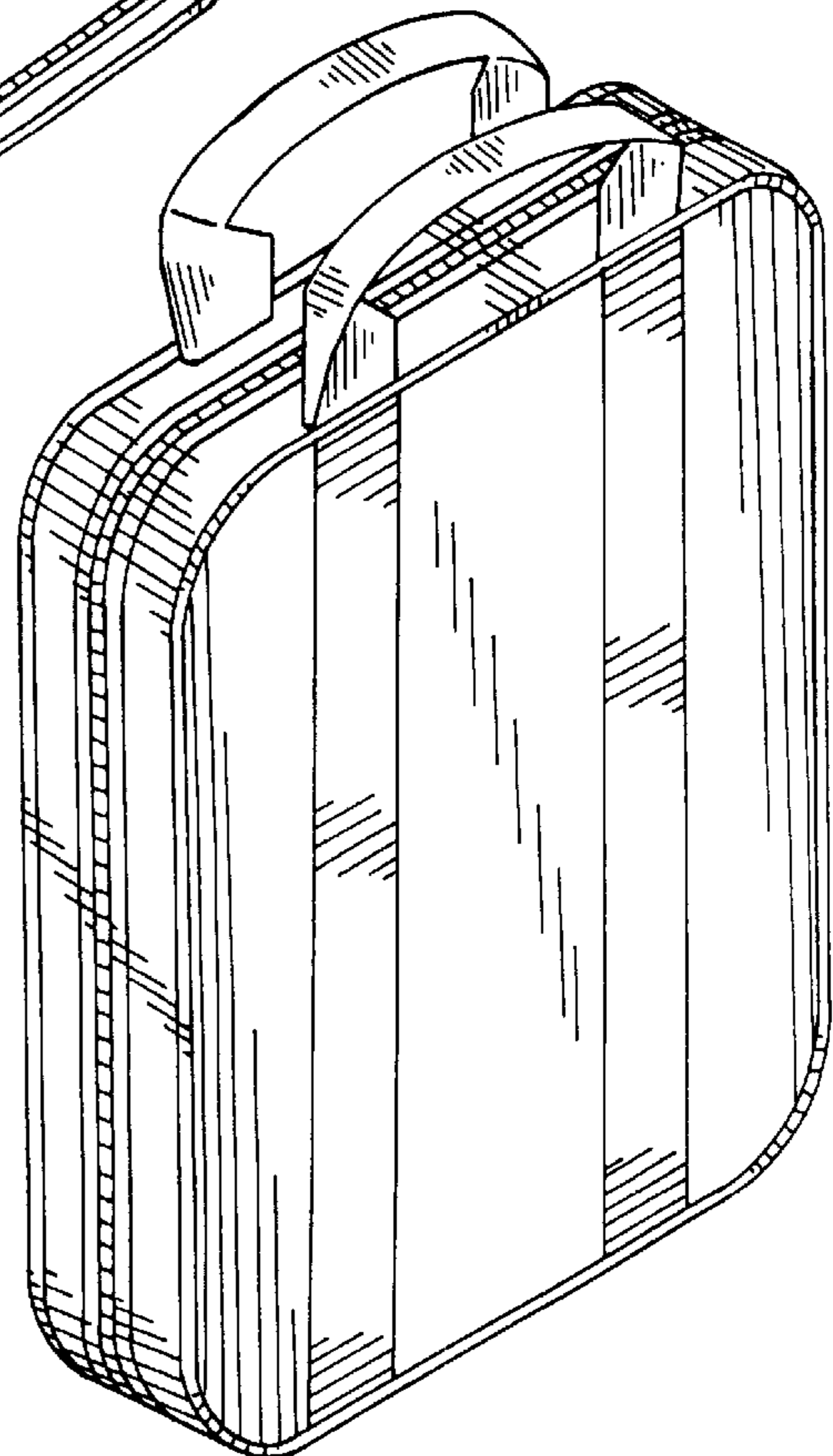


Fig.10

