



US00D467083S

(12) **United States Design Patent**  
**Chen**

(10) **Patent No.:** **US D467,083 S**

(45) **Date of Patent:** **\*\* Dec. 17, 2002**

(54) **BRUSH**

(76) **Inventor:** **Kuo-Chin Chen**, 2-1F, No. 18, Alley  
47, Lane 208, Jui An Street, Ta An  
District, Taipei 105 (TW)

(\*\*) **Term:** **14 Years**

(21) **Appl. No.:** **29/156,858**

(22) **Filed:** **Mar. 7, 2002**

(51) **LOC (7) Cl.** ..... **04-02**

(52) **U.S. Cl.** ..... **D4/127; D4/129; D4/136**

(58) **Field of Search** ..... **D4/127, 129, 130,**  
**D4/136, 138; D24/211, 214; 15/110, 159.1,**  
**160, 186-188, 143.1; 401/8, 28; 601/134-137**

(56) **References Cited**

**U.S. PATENT DOCUMENTS**

350,185 A	*	10/1886	Bonner	.....	15/143.1
D51,319 S	*	10/1917	Montgomery	.....	D4/127
4,027,984 A	*	6/1977	Underwood	.....	401/28
4,775,256 A	*	10/1988	Roth	.....	401/28

D333,730 S	*	3/1993	Martin	.....	D4/136
6,098,233 A	*	8/2000	Chen	.....	15/110
D438,975 S	*	3/2001	Chen	.....	D24/211

\* cited by examiner

*Primary Examiner*—M. H. Tung  
*Assistant Examiner*—Lavone Tabor

(57) **CLAIM**

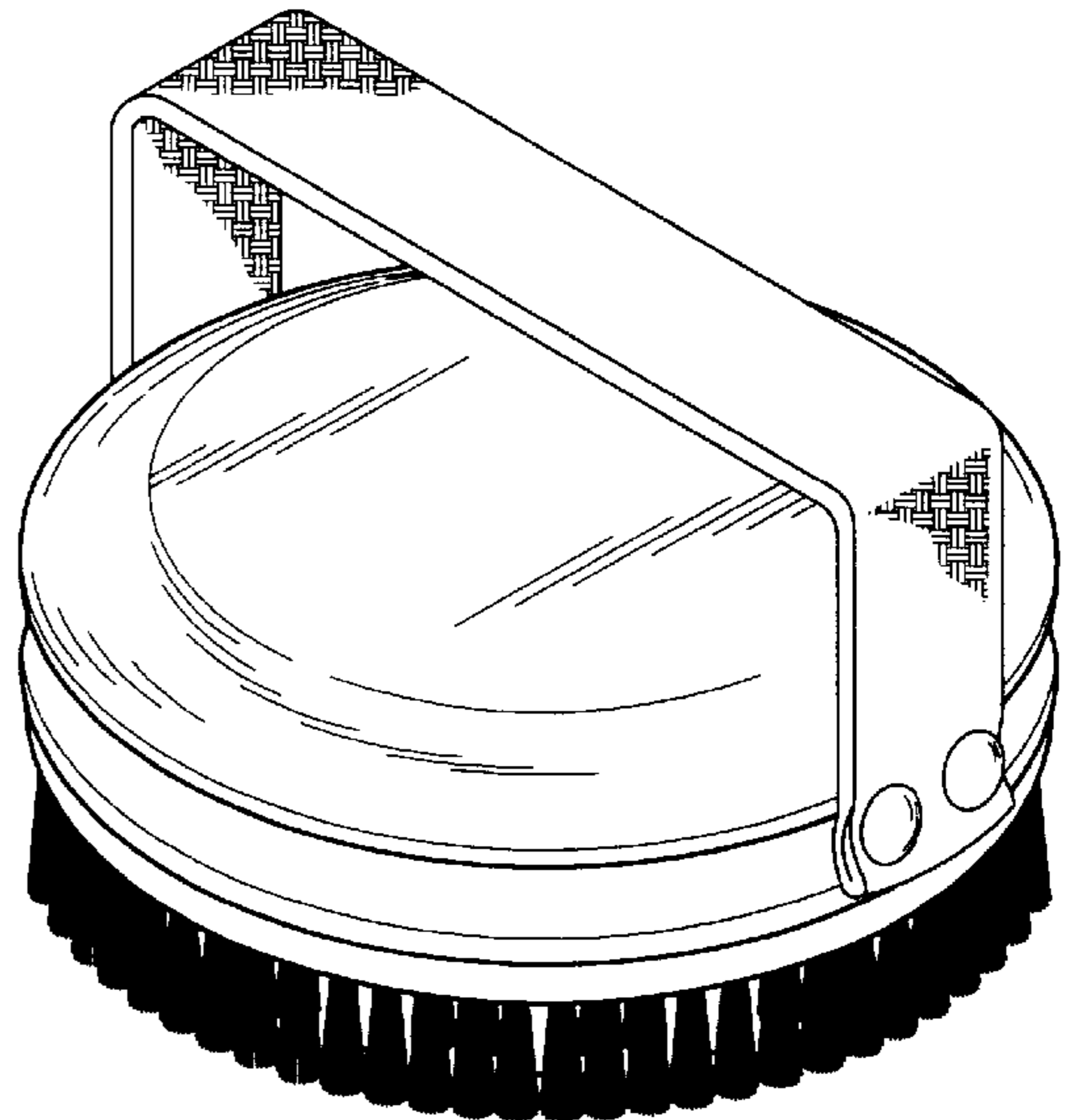
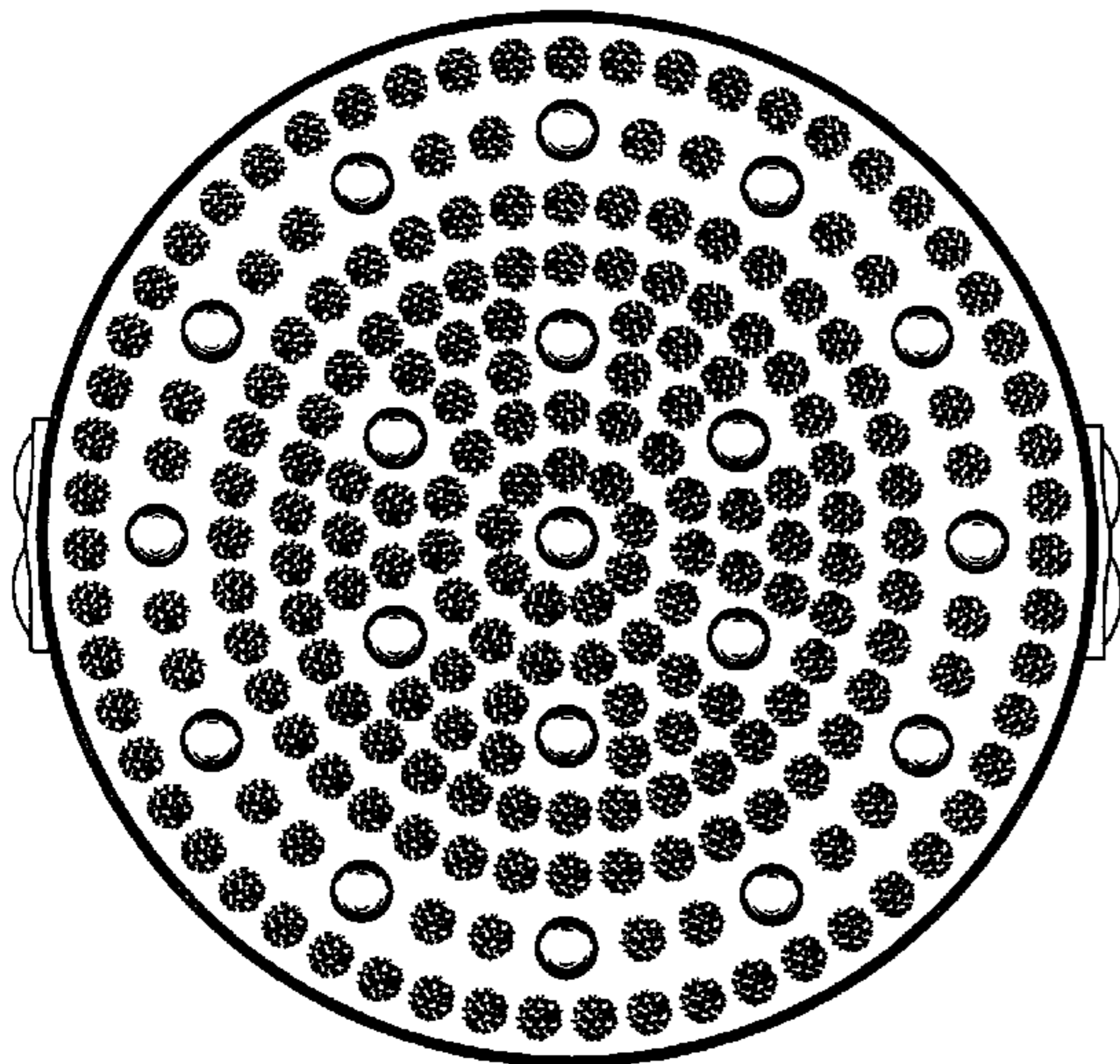
The ornamental design for a brush, as shown and described.

**DESCRIPTION**

FIG. 1 is a front elevation of a brush;  
FIG. 2 is a left side elevation thereof;  
FIG. 3 is a right side elevation thereof;  
FIG. 4 is a bottom plan view thereof;  
FIG. 5 is a top plan view thereof;  
FIG. 6 is a rear elevation thereof; and,  
FIG. 7 is perspective view thereof.

The pattern on the strap portion is partially shown for ease of illustration and is understood to repeat throughout the surfaces indicated.

**1 Claim, 4 Drawing Sheets**



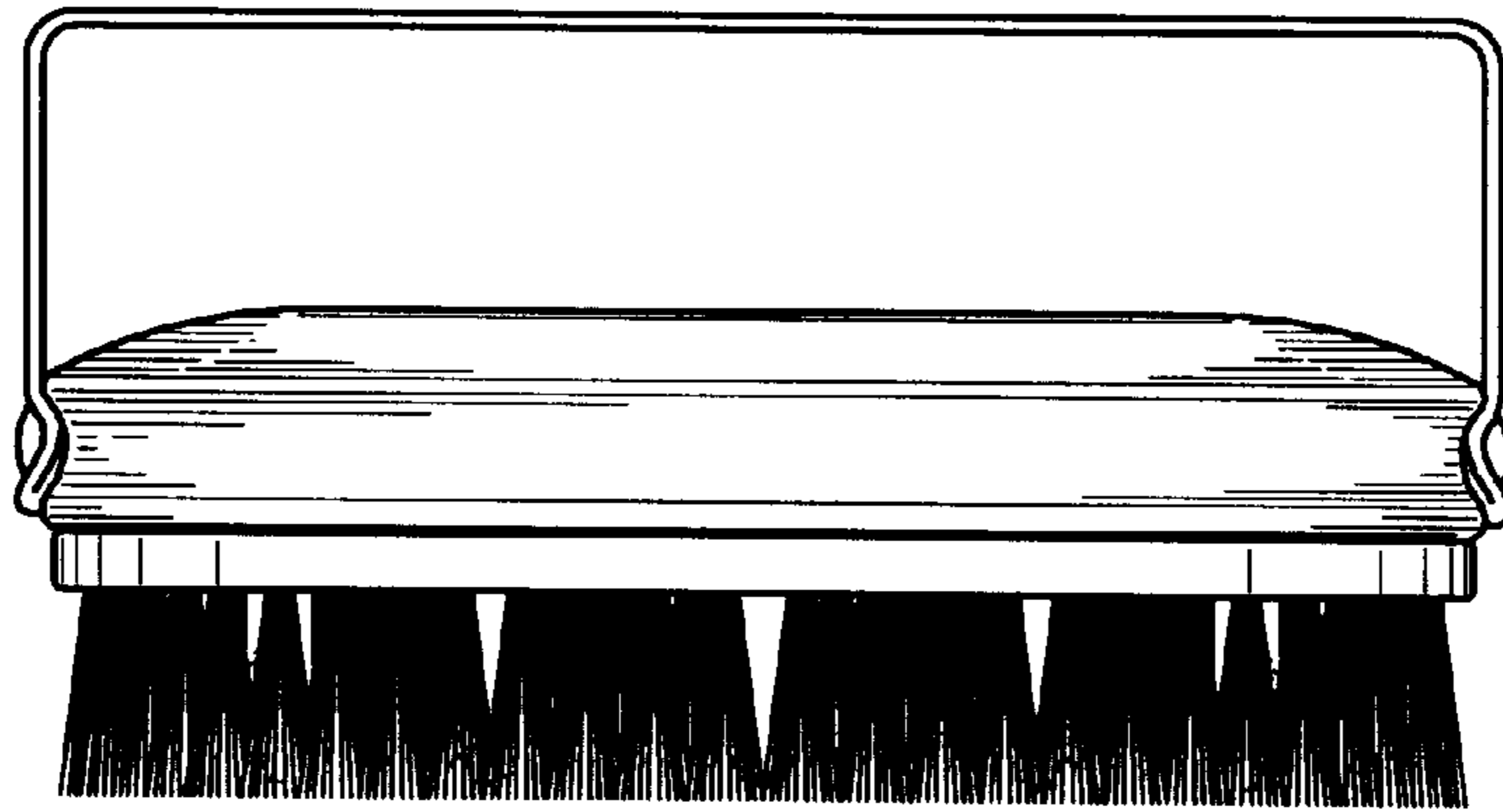


FIG. 1

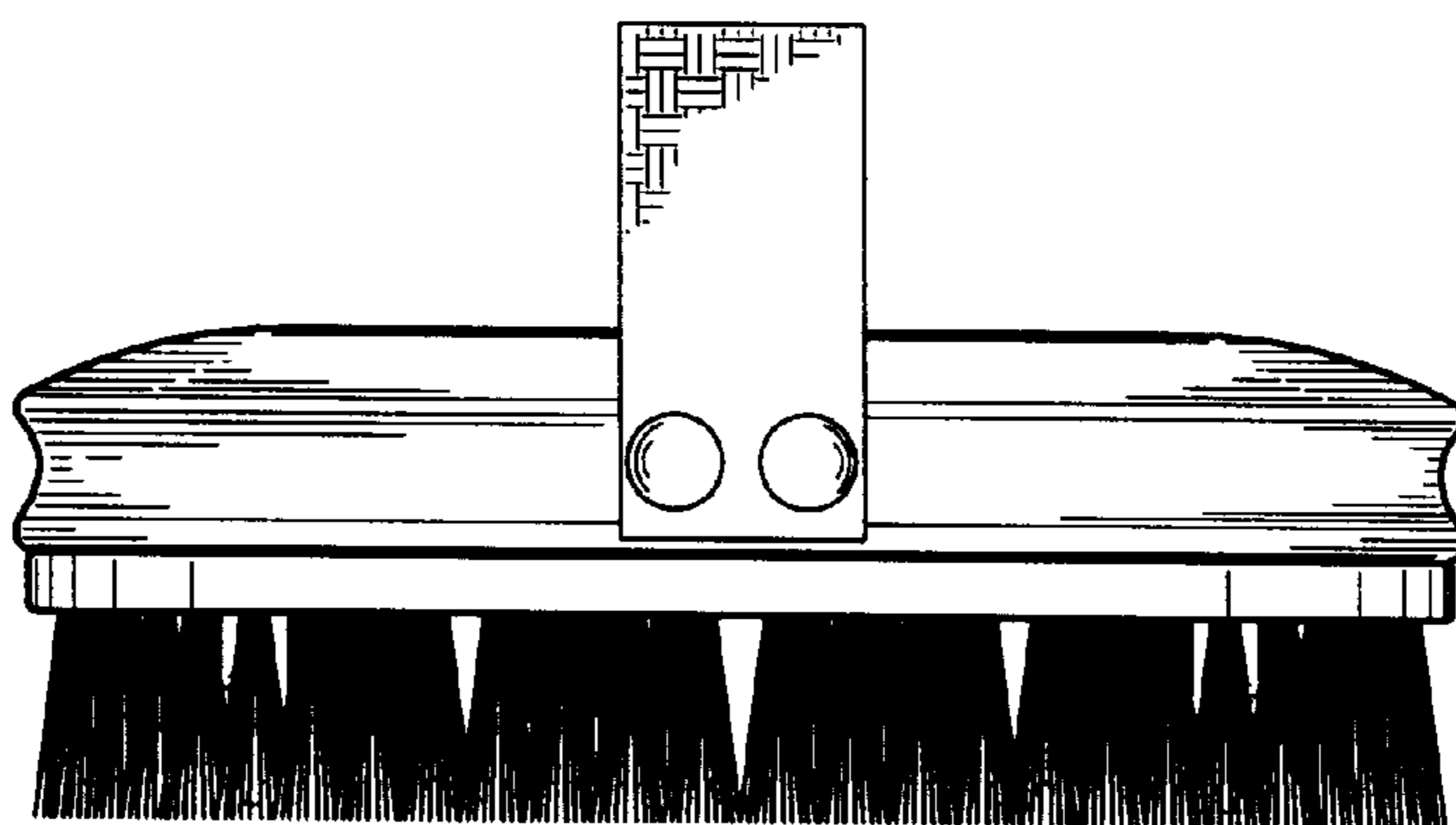


FIG. 2

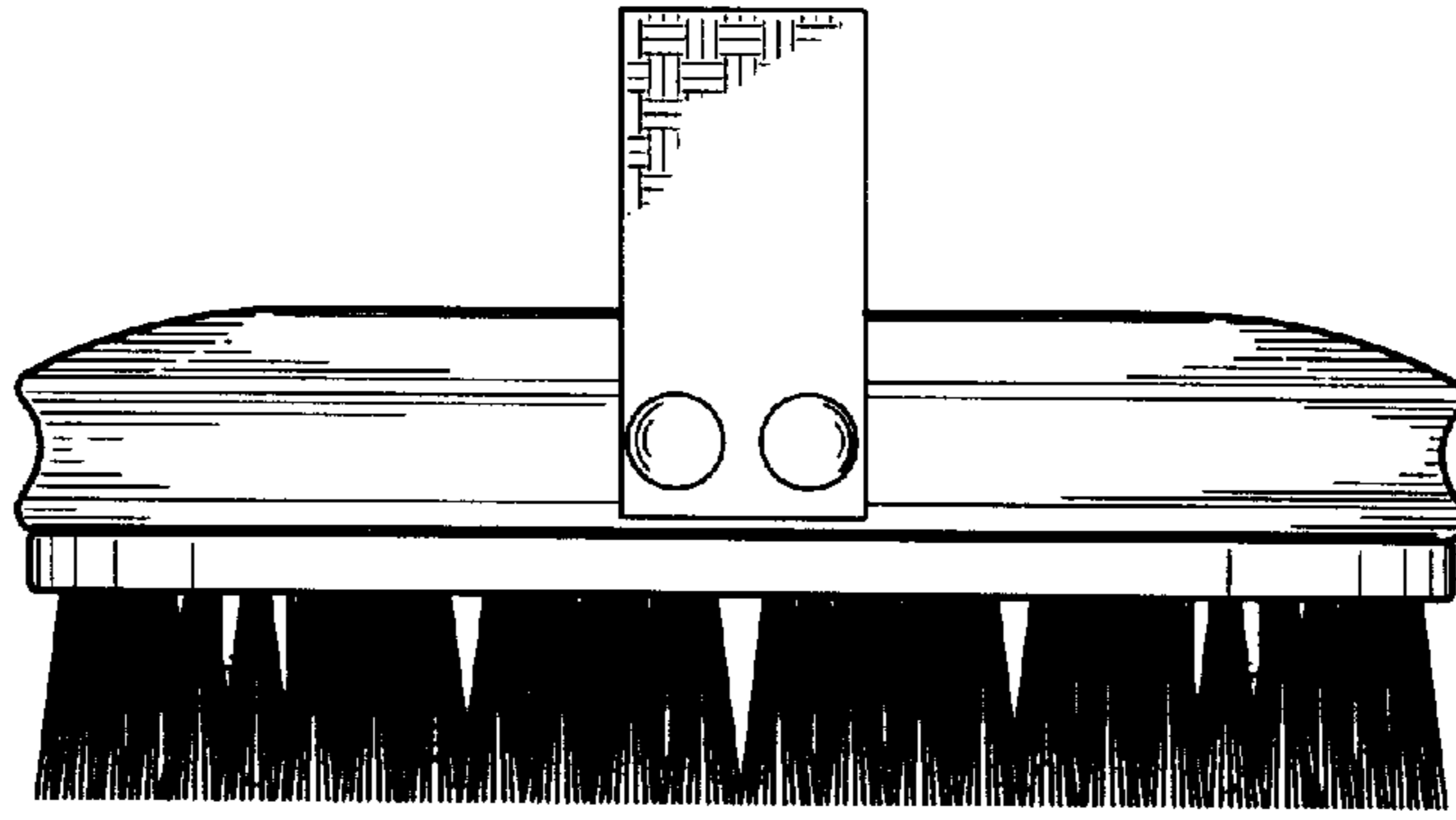


FIG. 3

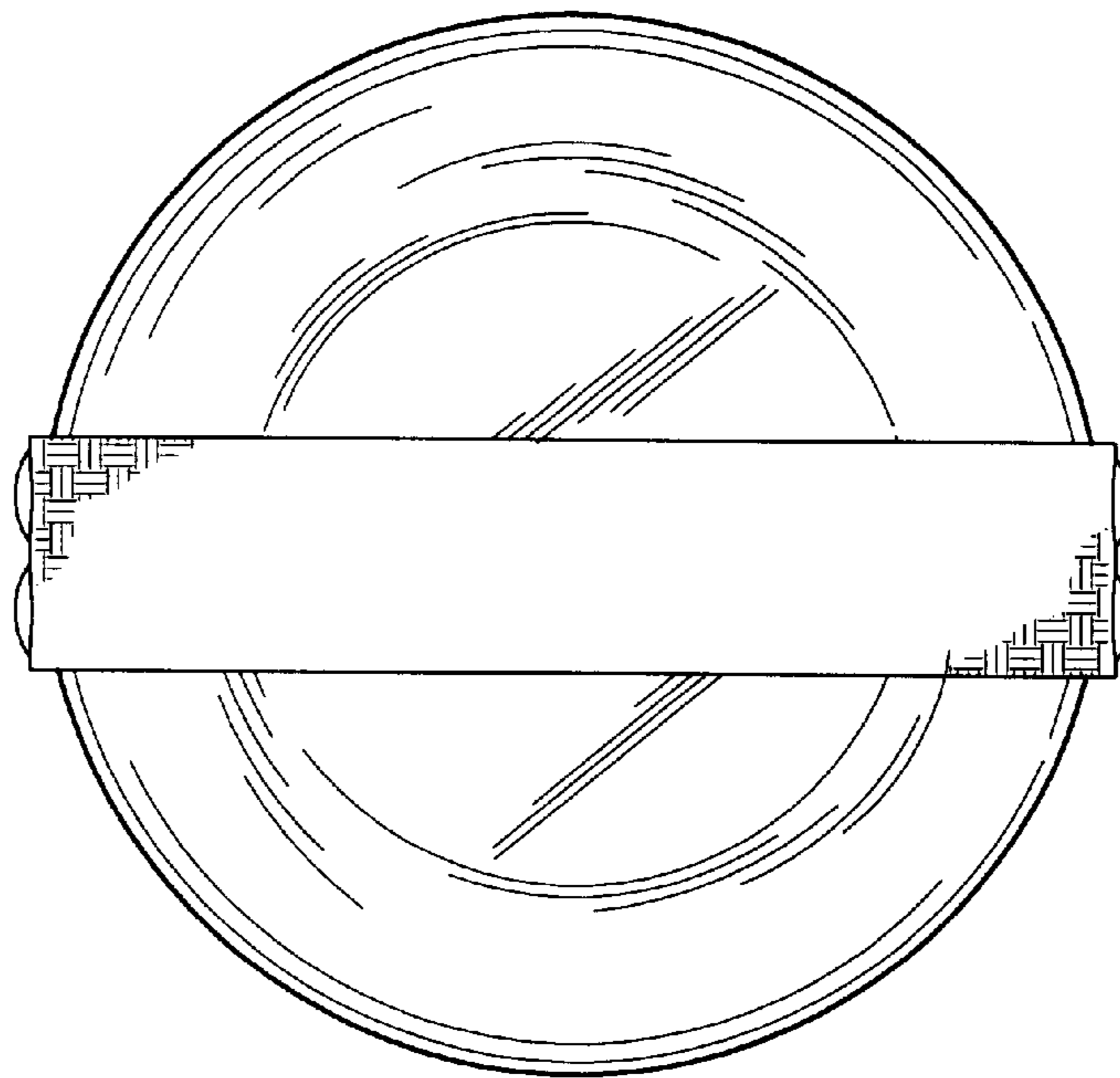


FIG. 4

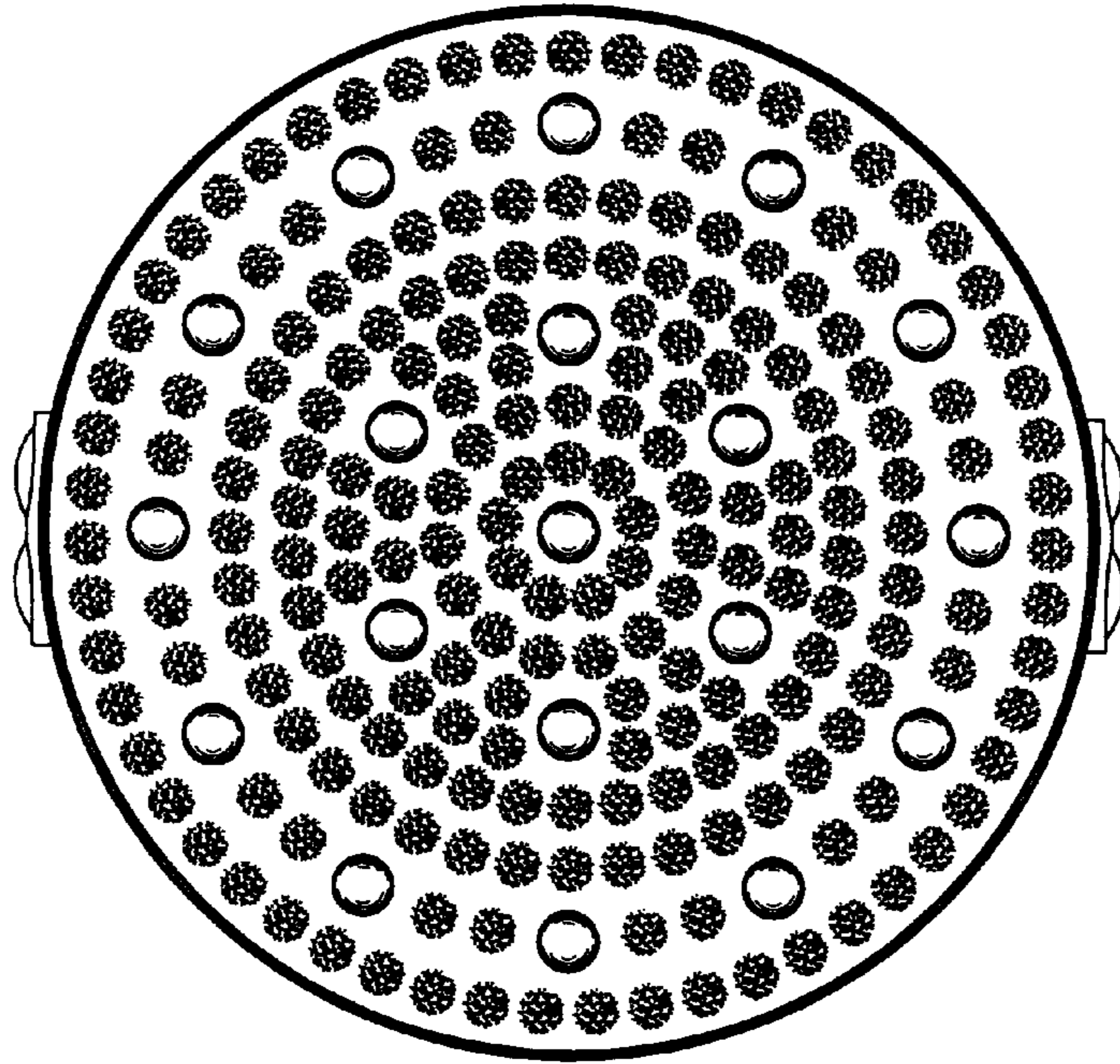


FIG. 5

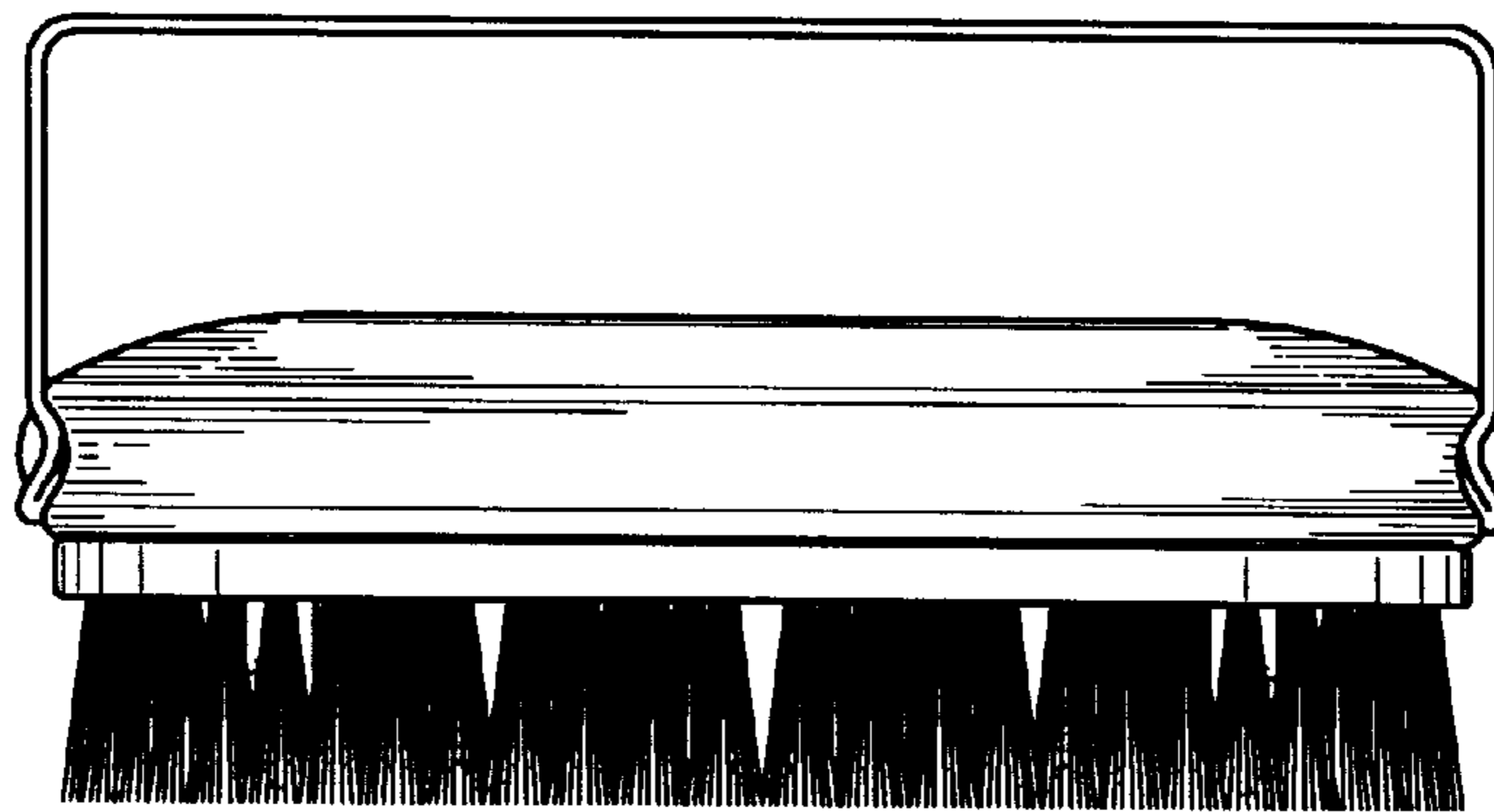


FIG. 6



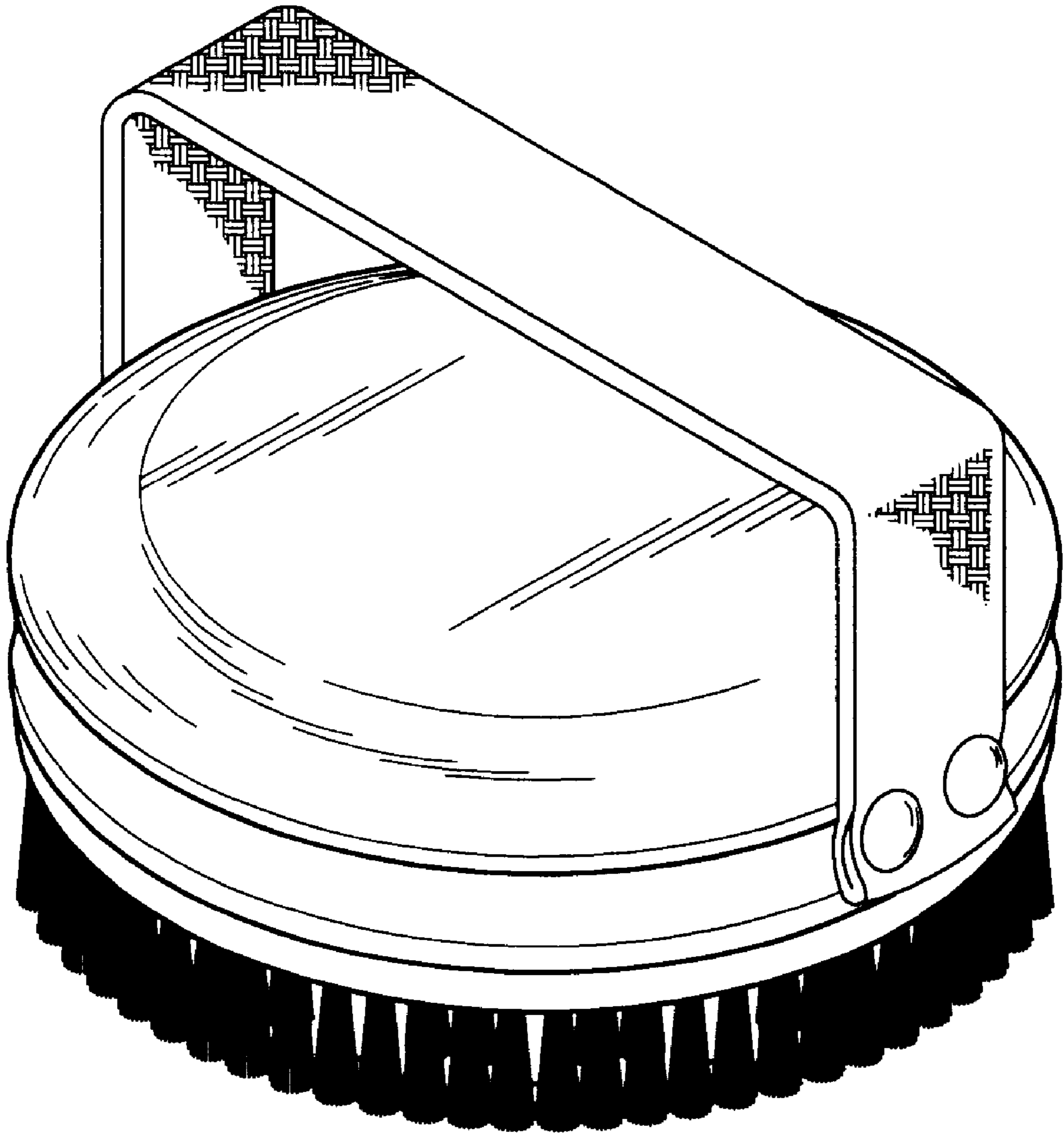


Fig. 7