



US00D467082S

(12) **United States Design Patent**  
**Harada**

(10) **Patent No.:** **US D467,082 S**

(45) **Date of Patent:** **\*\* Dec. 17, 2002**

(54) **TOOTHBRUSH HEAD WITH STEPPED BRISTLE ARRAY**

(76) **Inventor:** **Stephen D. Harada**, 614 Blair Ave., Piedmont, CA (US) 94111

(\*\*) **Term:** **14 Years**

2,864,111 A	12/1958	Rotceig	15/168
2,934,776 A	5/1960	Clemens	15/167.1
D189,414 S	12/1960	Kisky	D4/110
3,103,679 A	9/1963	Clemens	15/167.1
3,258,805 A	7/1966	Rossnan	15/110
D231,872 S *	6/1974	Spaulding	D4/104
4,010,509 A	3/1977	Huish	15/167.1

(List continued on next page.)

(21) **Appl. No.:** **29/158,207**

(22) **Filed:** **Mar. 28, 2002**

**Related U.S. Application Data**

(62) Division of application No. 29/134,549, filed on Dec. 21, 2000.

(51) **LOC (7) Cl.** ..... **04-02**

(52) **U.S. Cl.** ..... **D4/104**

(58) **Field of Search** ..... D4/101, 104-112, D4/130, 132, 134, 136; 15/110, 159.1, 160, 167.1, 167.2, 186-188, 207.2, DIG. 5, DIG. 6; 132/308; 601/139, 141

(56) **References Cited**

**U.S. PATENT DOCUMENTS**

D44,997 S	12/1913	Carroll	
D47,669 S	8/1915	Hunt	
1,251,250 A	12/1917	Libby	15/110
D56,858 S	1/1921	Cahill	
1,494,448 A	5/1924	Sookne	
D73,245 S	8/1927	Straehly	
D77,115 S	12/1928	Mowry	
1,948,233 A	2/1934	Janik	15/110 X
1,968,303 A	7/1934	McMath	15/167.1
D96,749 S	7/1935	Hellonen	
2,051,687 A	8/1936	Dressler	15/167.1
D107,228 S	11/1937	Goodman	
2,111,880 A	3/1938	Waters	15/176.6
D139,264 S	10/1944	Littig	15/167.1
D140,438 S	2/1945	Cohen	15/167.1
D160,604 S	1/1950	Hutson	
2,685,703 A	8/1954	Dellenbach	15/167.1
2,697,239 A	12/1954	Funk	15/167.1
D175,894 S	10/1955	Krueger	D4/104

**FOREIGN PATENT DOCUMENTS**

DE	297 12 284	9/1997	
DE	198 16 098	10/1999	
EP	285-121	10/1988	15/167.1
GB	7787	of 1886	15/167.1
GB	17732	of 1895	15/167.1
JP	53-30970	3/1978	
JP	60-60937	4/1985	
JP	9-19323	1/1997	
GB	723	of 1880	15/167.1

**OTHER PUBLICATIONS**

Weldon Owen Pry Ltd., "Great Inventions", Time Life Books, 1995, Richard Wood—Consulting Editor, p. 9, "Toothbrush".

*Primary Examiner*—Lisa Lichtenstein

(74) *Attorney, Agent, or Firm*—Holland & Knight LLP

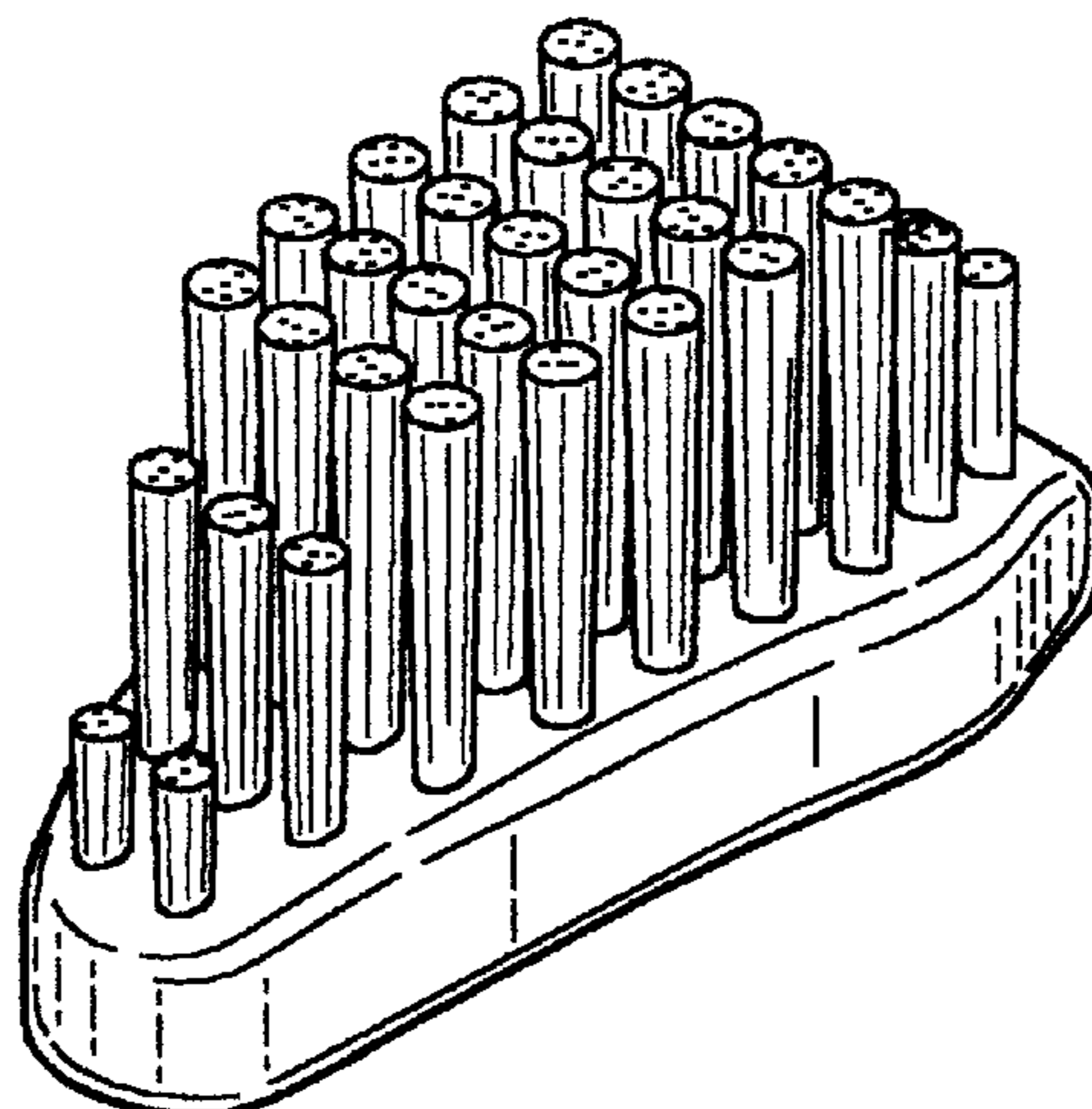
(57) **CLAIM**

The ornamental design for a toothbrush head with stepped bristle array, as shown and described.

**DESCRIPTION**

FIG. 1 is a perspective view of my ornamental design for a toothbrush head with stepped bristle array;  
FIG. 2 is a front view thereof;  
FIG. 3 is a rear view thereof;  
FIG. 4 is a bottom plan view thereof;  
FIG. 5 is a top plan view thereof; and,  
FIG. 6 is a side view thereof, the opposite side being a mirror image of that shown.

**1 Claim, 1 Drawing Sheet**



# US D467,082 S

Page 2

## U.S. PATENT DOCUMENTS

4,109,339 A	8/1978	Dietrich	15/167.1	D342,160 S	12/1993	Curtis et al.	D4/104
4,115,894 A	9/1978	Peterson	15/167.1	D344,414 S	2/1994	Rahman	D4/104
D251,038 S	2/1979	Hill et al.	D4/104	5,315,730 A	5/1994	Kim et al.	15/167.1
D252,597 S	8/1979	Holzworth et al.	D4/25	5,341,537 A	8/1994	Curtis et al.	15/167.1
4,185,349 A	1/1980	Papas	15/106	D351,732 S	10/1994	Dair et al.	D4/104
D259,977 S	7/1981	Porper	D4/110	5,369,835 A	12/1994	Clarke	15/167.1
4,306,327 A	12/1981	Zeski	15/167.1	5,371,915 A	12/1994	Key	15/167.1
D265,527 S	7/1982	Macaluso	D4/110	5,383,244 A	1/1995	Ahrens et al.	15/167.1
4,429,434 A	2/1984	Sung-shan	15/167.1 X	5,392,483 A	2/1995	Heinzelman et al.	15/167.1
4,463,470 A	8/1984	Willis	15/167.1	D360,076 S	* 7/1995	Schneider	D4/104
D282,603 S	2/1986	Piero	D4/108	5,481,775 A	1/1996	Gentile et al.	15/167.1
D287,790 S	* 1/1987	Fay	D4/104	D368,804 S	4/1996	Yost et al.	D4/104
D289,231 S	4/1987	Fleisher	D4/110	D370,347 S	6/1996	Heinzelman et al.	D4/104
4,654,921 A	* 4/1987	Dinner	D4/104	5,522,109 A	6/1996	Chan	15/167.1
D289,704 S	5/1987	Marthaler et al.	D4/104	5,570,487 A	11/1996	Schneider	15/167.1
4,667,360 A	5/1987	Marthaler et al.	15/167 R	5,613,262 A	3/1997	Choy-Maldonado	15/160
4,672,706 A	6/1987	Hill	15/167 R	5,622,502 A	4/1997	Wilkes et al.	15/167.1
D292,948 S	12/1987	Parina	D4/104	5,628,082 A	5/1997	Moskovich	15/110
4,763,375 A	8/1988	Vieten	15/167.1	D391,764 S	3/1998	Falleiros et al.	D4/104
4,800,608 A	1/1989	Key	15/167.1	5,787,540 A	8/1998	Hirschmann	15/167.1
D300,990 S	5/1989	Jagger	D4/104	5,792,159 A	8/1998	Amin	606/161
D301,399 S	6/1989	Kreyer, Jr.	D4/104	5,836,033 A	11/1998	Berge	15/110
D305,385 S	1/1990	Schneider	D4/104	5,850,659 A	12/1998	Butler et al.	15/167.1
D311,454 S	10/1990	Rethman	D4/106	5,884,354 A	3/1999	Anderson	15/167.1
5,046,212 A	9/1991	O'Conke	15/105	D414,938 S	10/1999	Von Stein	D4/104
D321,092 S	10/1991	Woll et al.	D4/106	D428,256 S	7/2000	Harada	D4/104
5,054,154 A	10/1991	Schiffer et al.	15/167.1	D428,260 S	7/2000	Harada	D4/110
5,114,214 A	5/1992	Barman	15/DIG. 5	D430,401 S	9/2000	Harada	D4/104
D337,201 S	7/1993	Haddad	D4/107	D431,908 S	10/2000	Harada	D4/104

\* cited by examiner

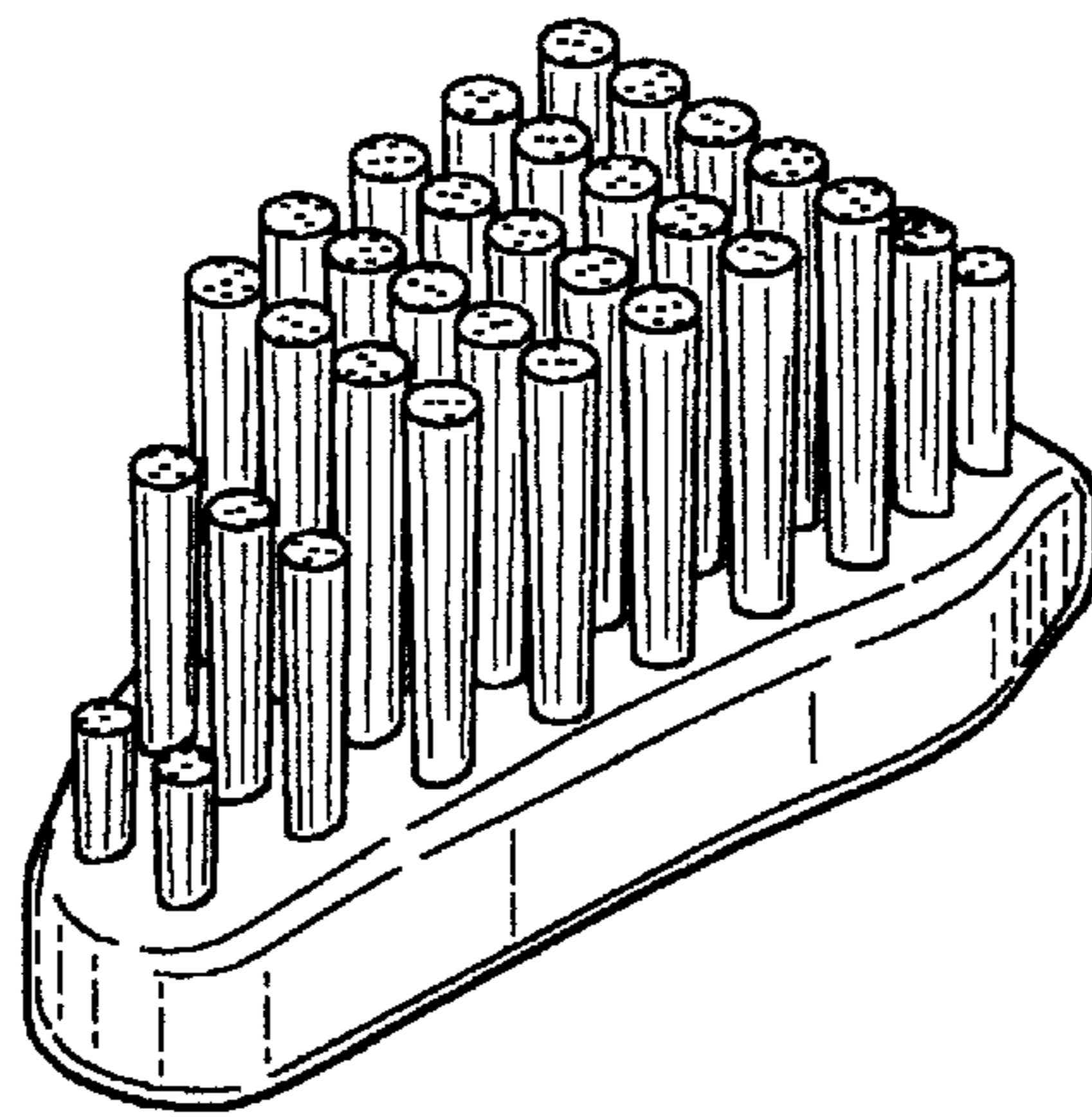


FIG. 1

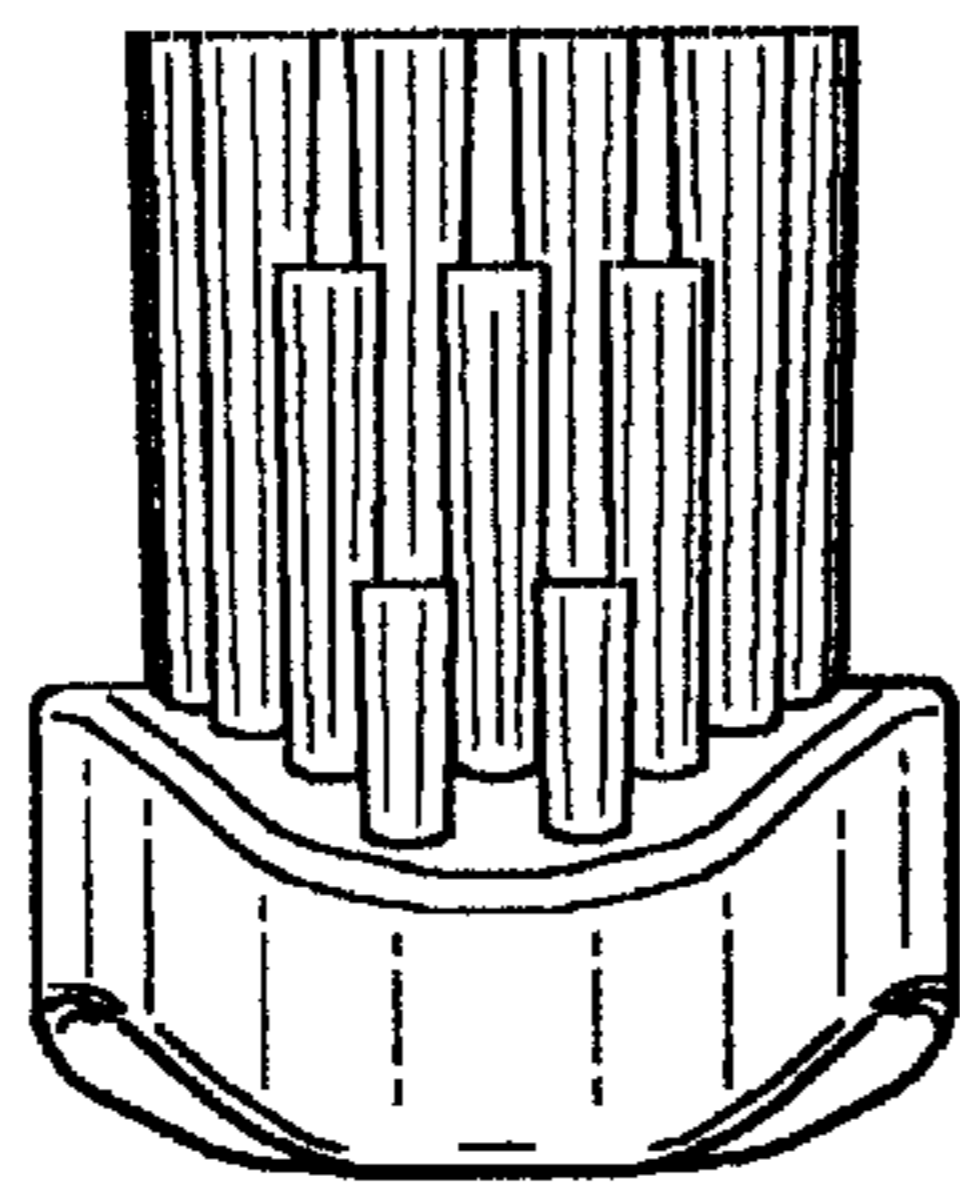


FIG. 2

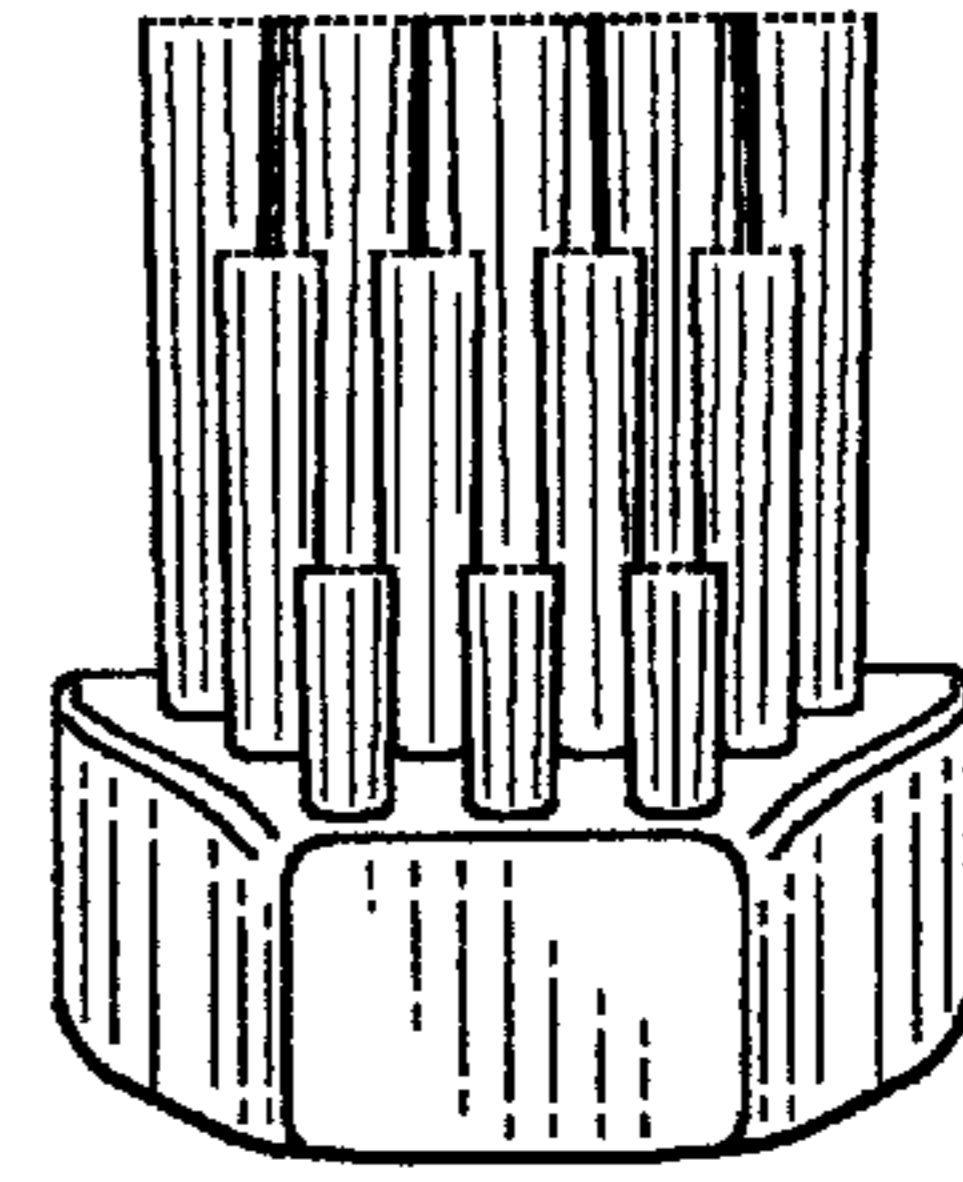


FIG. 3

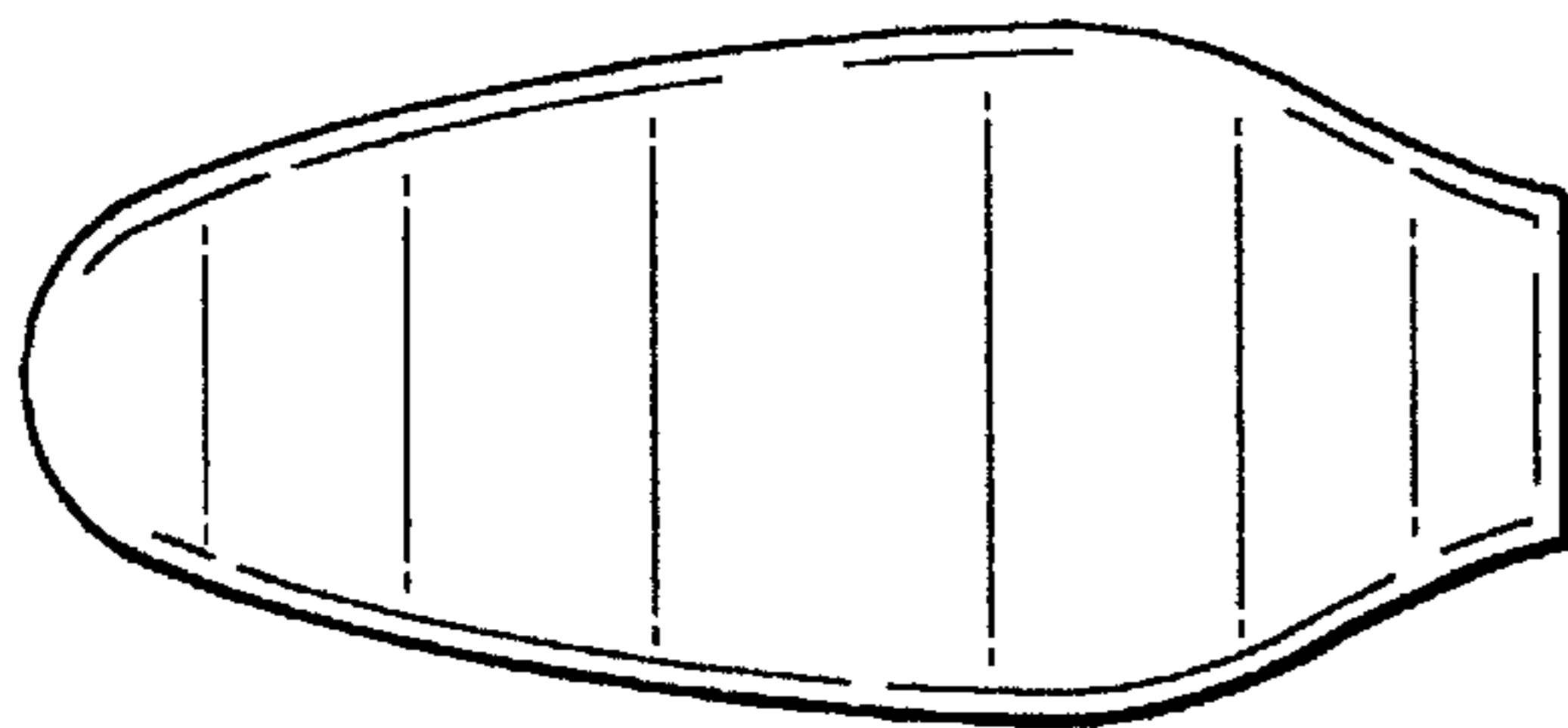


FIG. 4

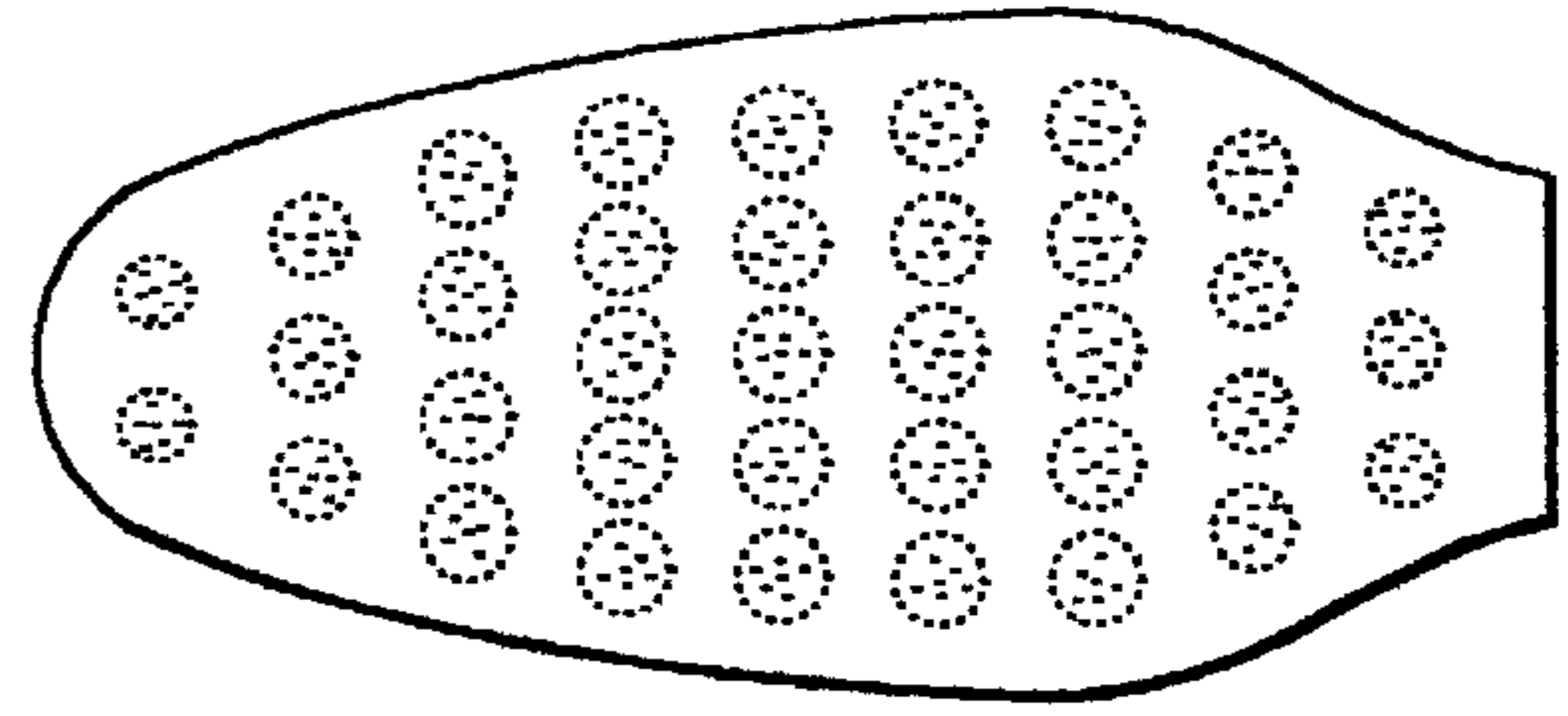


FIG. 5

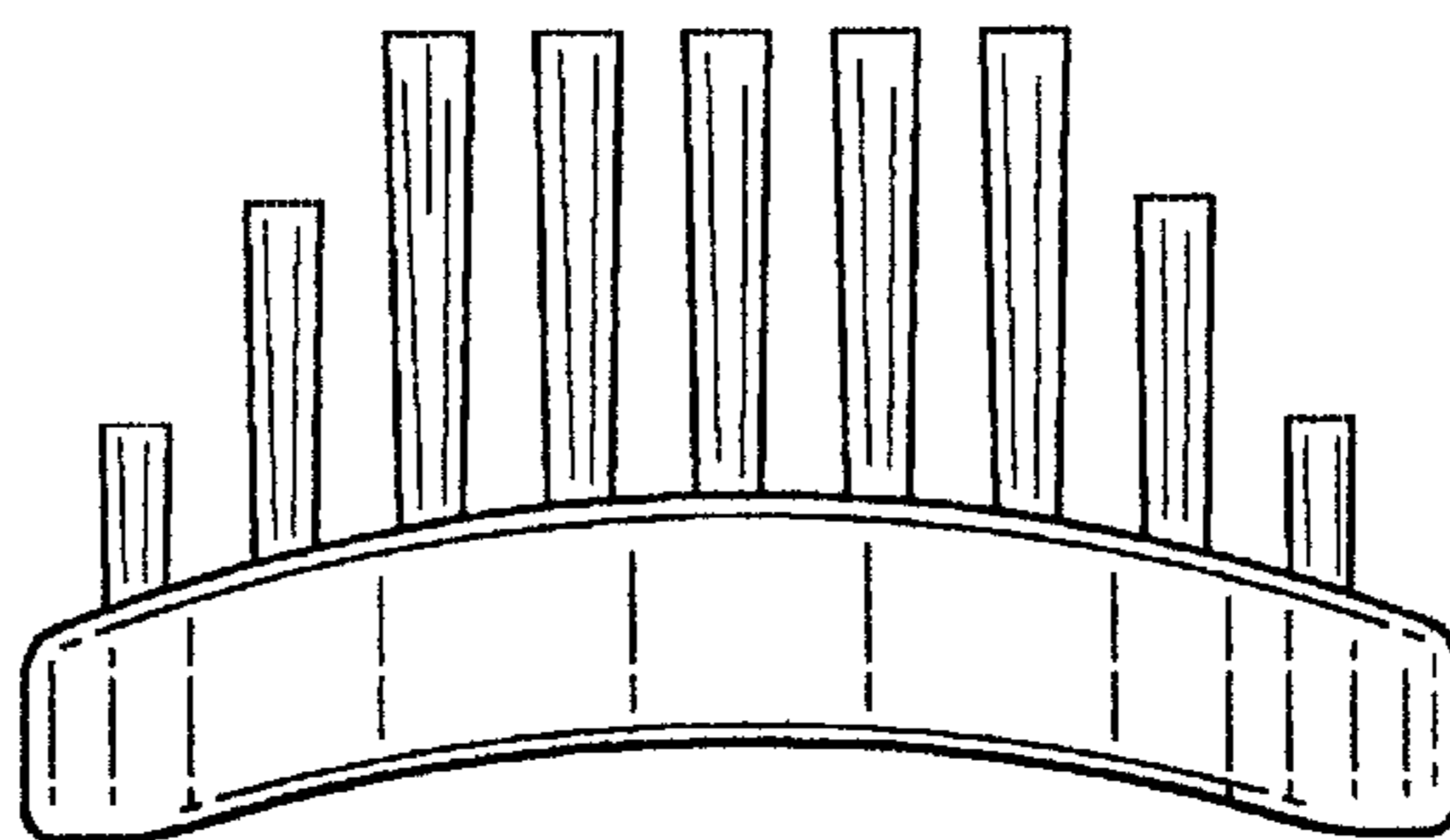


FIG. 6