



US00D467080S

(12) **United States Design Patent**
Zimmerman

(10) **Patent No.:** **US D467,080 S**

(45) **Date of Patent:** **** Dec. 17, 2002**

(54) **ROCKER ARM ORGANIZER TRAY**

OTHER PUBLICATIONS

(76) Inventor: **Wade N. Zimmerman**, 3009 E. Black Hills Ct., Westlake Village, CA (US) 91361

Crane Cam Valve Train Organizer Tray, Crane Technology Group, 1998.

(**) Term: **14 Years**

* cited by examiner

(21) Appl. No.: **29/147,921**

Primary Examiner—Ian Simmons

Assistant Examiner—Deanne Levy

(22) Filed: **Sep. 7, 2001**

(74) *Attorney, Agent, or Firm*—Koppel, Jacobs, Patrick & Heybl

(51) **LOC (7) Cl.** **03-01**

(57) **CLAIM**

(52) **U.S. Cl.** **D3/311**

The ornamental design for a rocker arm organizer tray, as shown and described.

(58) **Field of Search** D3/304–315, 901, D3/905; 206/557–566; 220/570–571, 575, 656–659, DIG. 12–14; D7/553.1, 363, 555; 312/902; 294/172; D24/230

DESCRIPTION

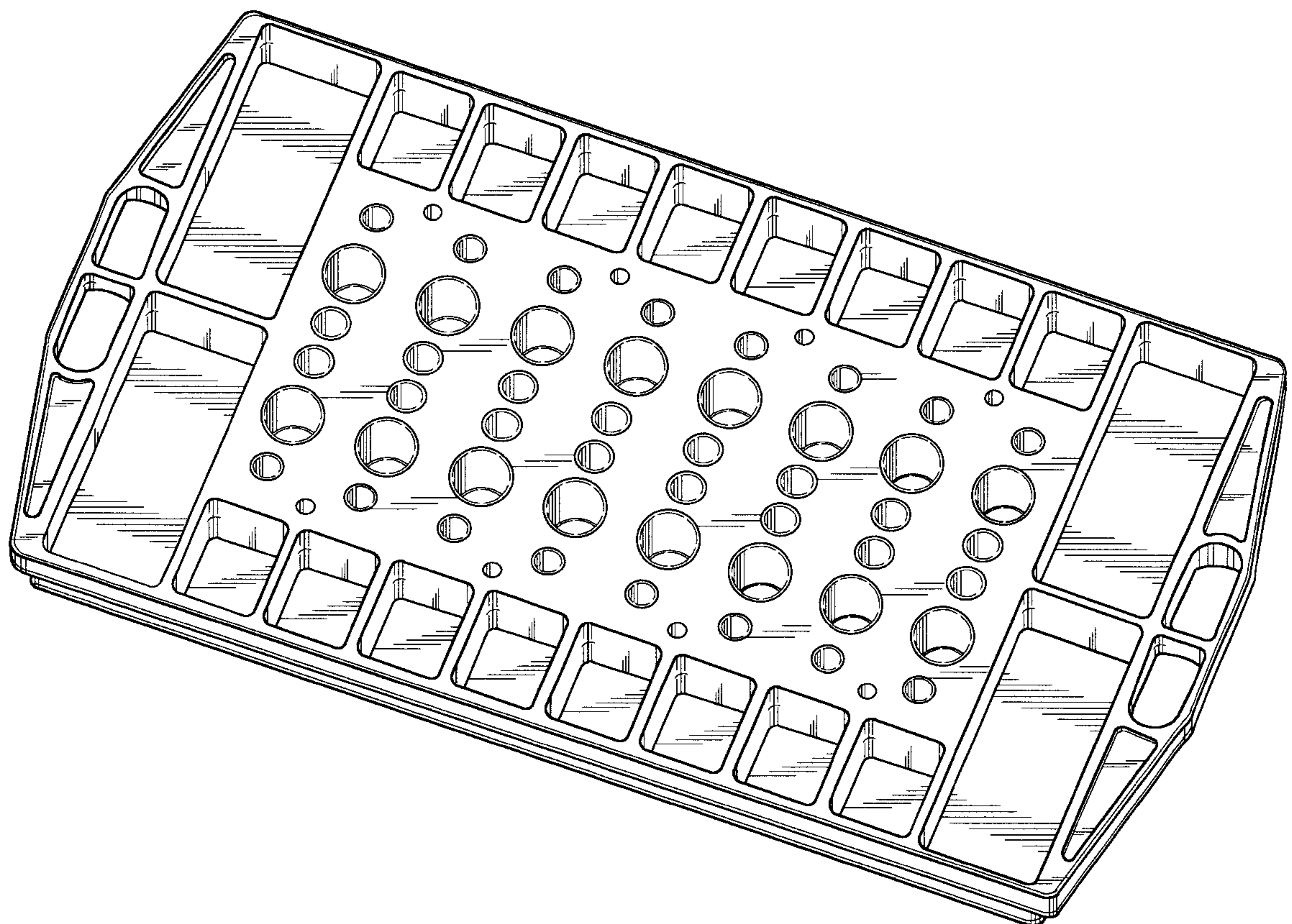
(56) **References Cited**

FIG. 1 is a top perspective view of a rocker arm organizer tray showing my new design;
FIG. 2 is a front elevation view thereof, the rear elevation being identical;
FIG. 3 is a left elevation view thereof, the right elevation being identical; and,
FIG. 4 is a bottom perspective view thereof.

U.S. PATENT DOCUMENTS

1,653,244	A	*	12/1927	White	294/172
3,532,221	A	*	10/1970	Kaluhiokalani et al.	206/565
D223,026	S	*	2/1972	Rotkow	206/558
D279,384	S	*	6/1985	Evenson	D3/313
D393,543	S	*	4/1998	Wilkening	D3/905

1 Claim, 3 Drawing Sheets



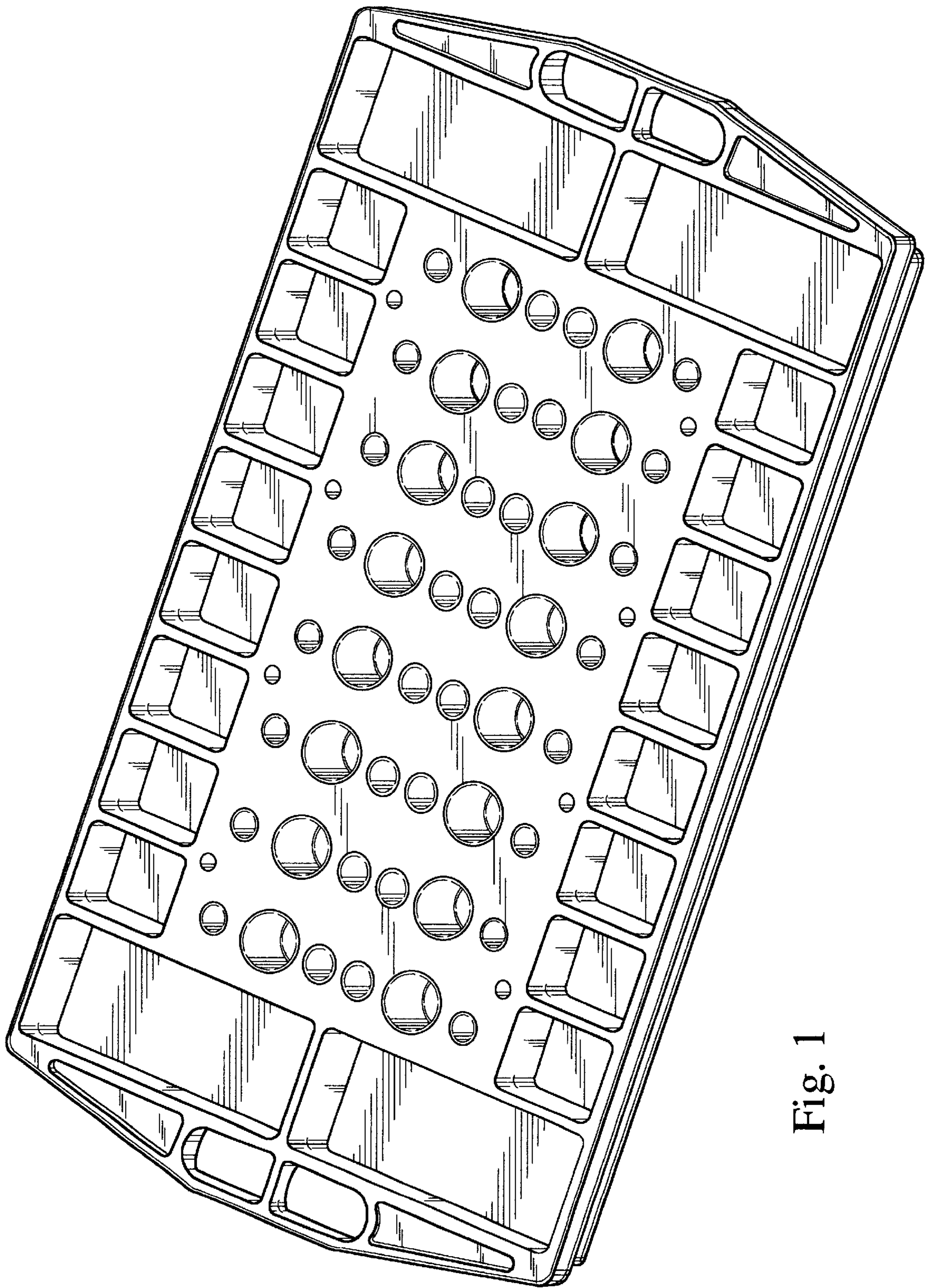


Fig. 1

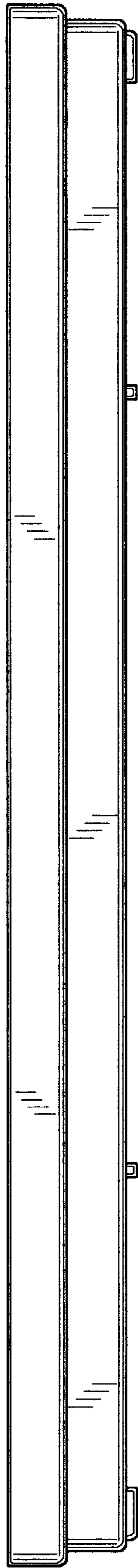


Fig. 2

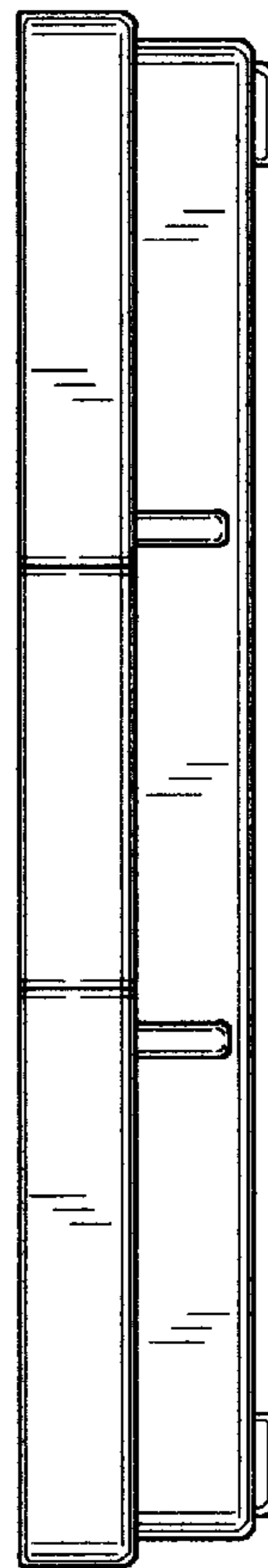


Fig. 3

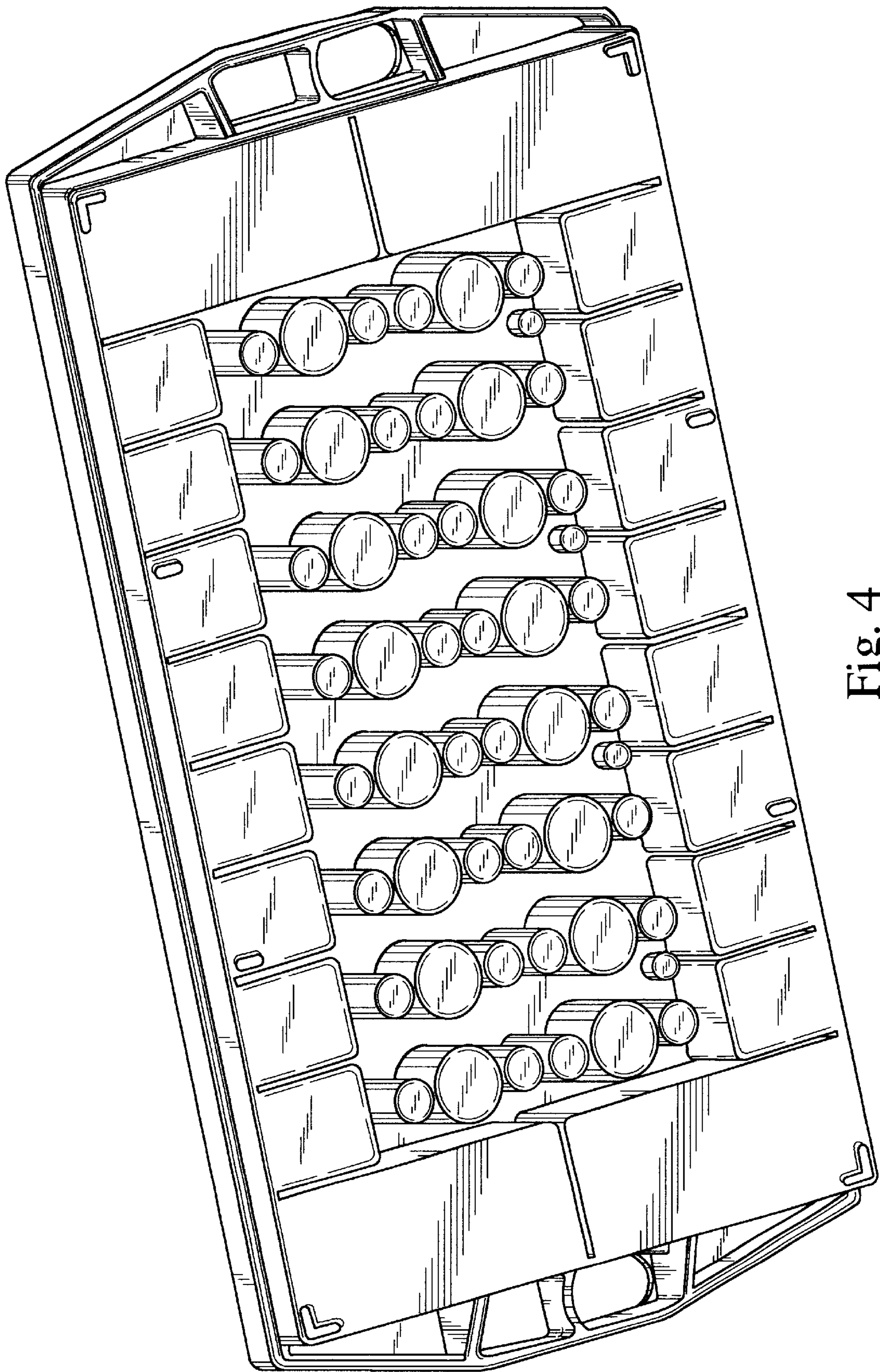


Fig. 4