



US00D467078S

(12) **United States Design Patent**
Snider

(10) **Patent No.:** **US D467,078 S**

(45) **Date of Patent:** **** Dec. 17, 2002**

(54) **STORAGE CASE**

(75) Inventor: **Gregory Scott Snider**, Bel Air, MD
(US)

(73) Assignee: **Black & Decker Inc.**, Newark, DE
(US)

(**) Term: **14 Years**

(21) Appl. No.: **29/145,857**

(22) Filed: **Jul. 31, 2001**

(51) **LOC (7) Cl.** **03-01**

(52) **U.S. Cl.** **D3/294; D3/273; D3/905**

(58) **Field of Search** D3/272, 273, 294,
D3/302; D9/420, 423, 424; 206/349, 372,
373, 378, 379

(56) **References Cited**

U.S. PATENT DOCUMENTS

D289,262 S	4/1987	Goetz et al.	D9/420
D291,558 S	8/1987	Fonville	D13/40
D307,354 S	4/1990	Knotter et al.	
D309,981 S	8/1990	French et al.	
D313,505 S	1/1991	Leopoldi et al.	
D314,273 S	2/1991	Minneman	
D315,954 S	* 4/1991	Berland	D24/176
D333,727 S	3/1993	Schurman	
D340,090 S	10/1993	Augenstein	
D345,650 S	4/1994	Boyd	D12/423
D355,360 S	* 2/1995	Mund et al.	D9/423
D358,055 S	* 5/1995	Long et al.	D6/407
D381,540 S	* 7/1997	Guiliano	D3/273
D397,869 S	9/1998	Minhas	D3/294
D399,604 S	* 10/1998	Wolff	D28/66
D400,011 S	* 10/1998	Palmer et al.	D3/294
D449,931 S	* 11/2001	Snider	D3/294

* cited by examiner

Primary Examiner—Philip S. Hyder

(74) *Attorney, Agent, or Firm*—Harness, Dickey & Pierce,
P.L.C.

(57) **CLAIM**

The ornamental design for a storage case, as shown and described.

DESCRIPTION

FIG. 1 is a perspective view of a storage case;

FIG. 2 is a front view thereof;

FIG. 3 is a rear view thereof;

FIG. 4 is a top view thereof;

FIG. 5 is a bottom view thereof;

FIG. 6 is a right side view thereof;

FIG. 7 is a left side view thereof;

FIG. 8 is a front view of the storage case in an open position showing an interior flap in a closed position;

FIG. 9 is a front view of the storage case in an open position showing an interior flap in an open position;

FIG. 10 is a perspective view of a second embodiment of a storage case without the dimpled portions;

FIG. 11 is a front view thereof;

FIG. 12 is a rear view thereof;

FIG. 13 is a top view thereof;

FIG. 14 is a bottom view thereof;

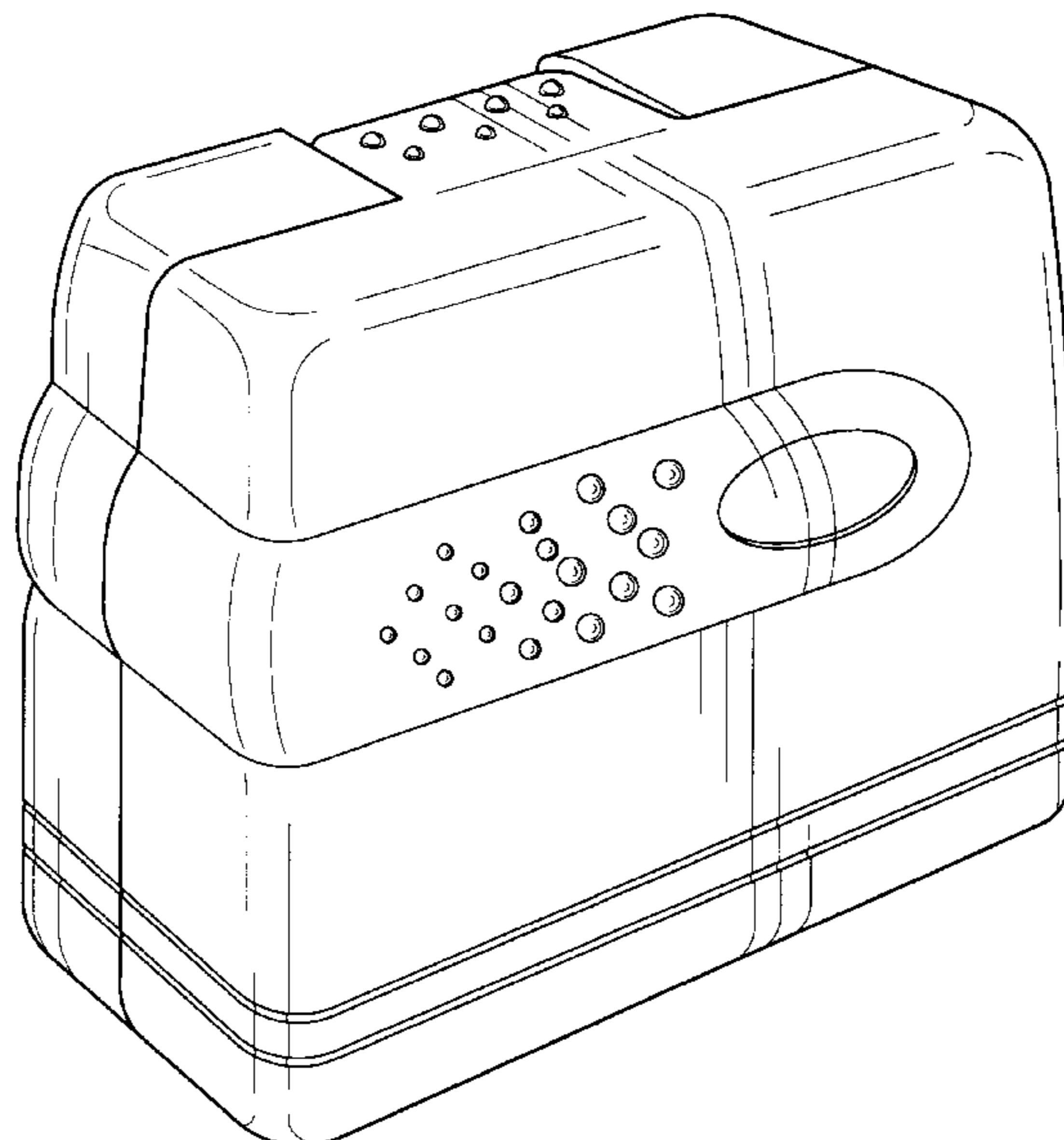
FIG. 15 is a right side view thereof;

FIG. 16 is a left side view thereof; and,

FIG. 17 is a front view of the storage case in an open position showing an interior flap in a closed position.

The broken line showing of the interior structure is for illustrative purposes only and forms no part of the claimed design.

1 Claim, 9 Drawing Sheets



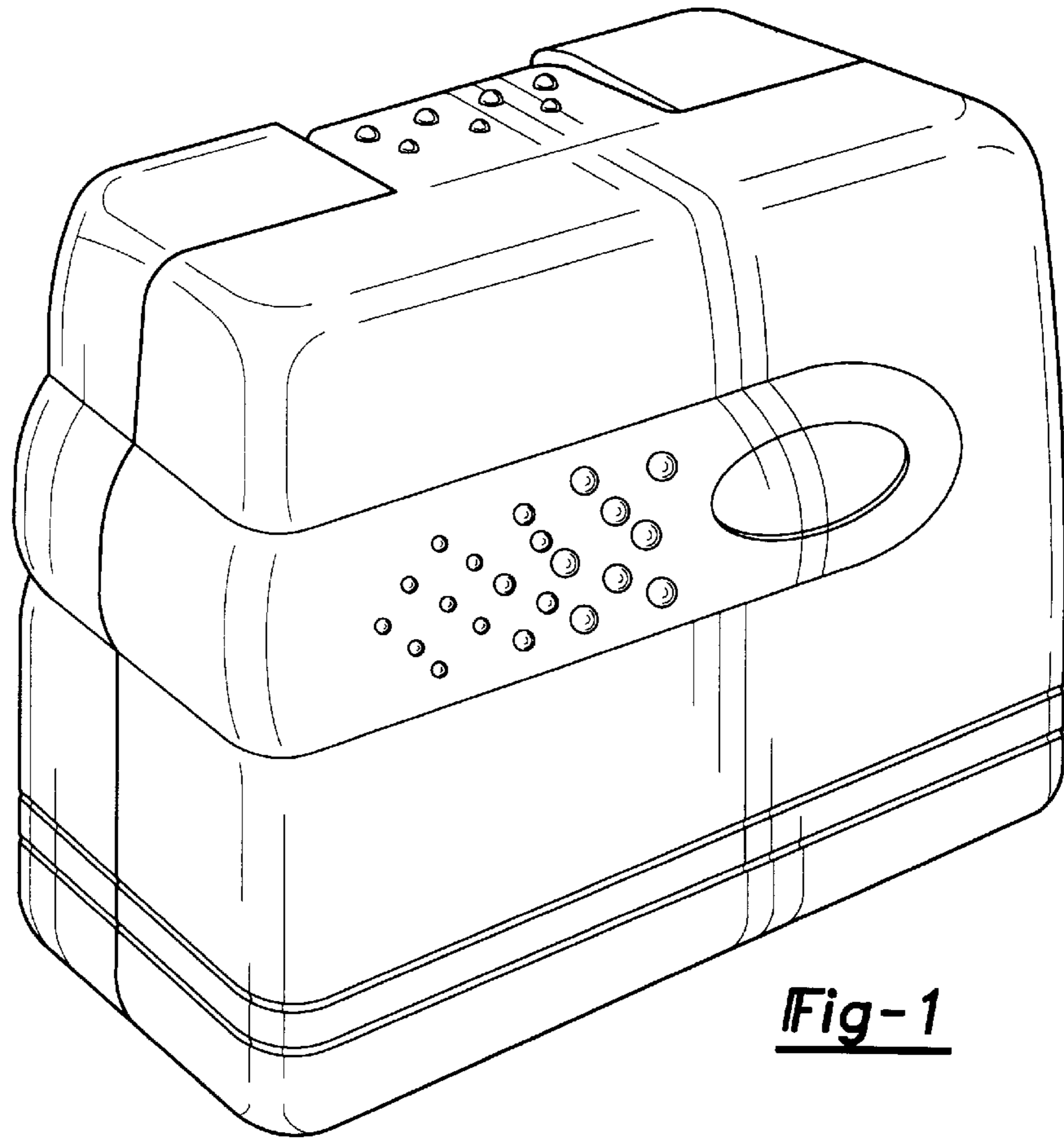


Fig-1

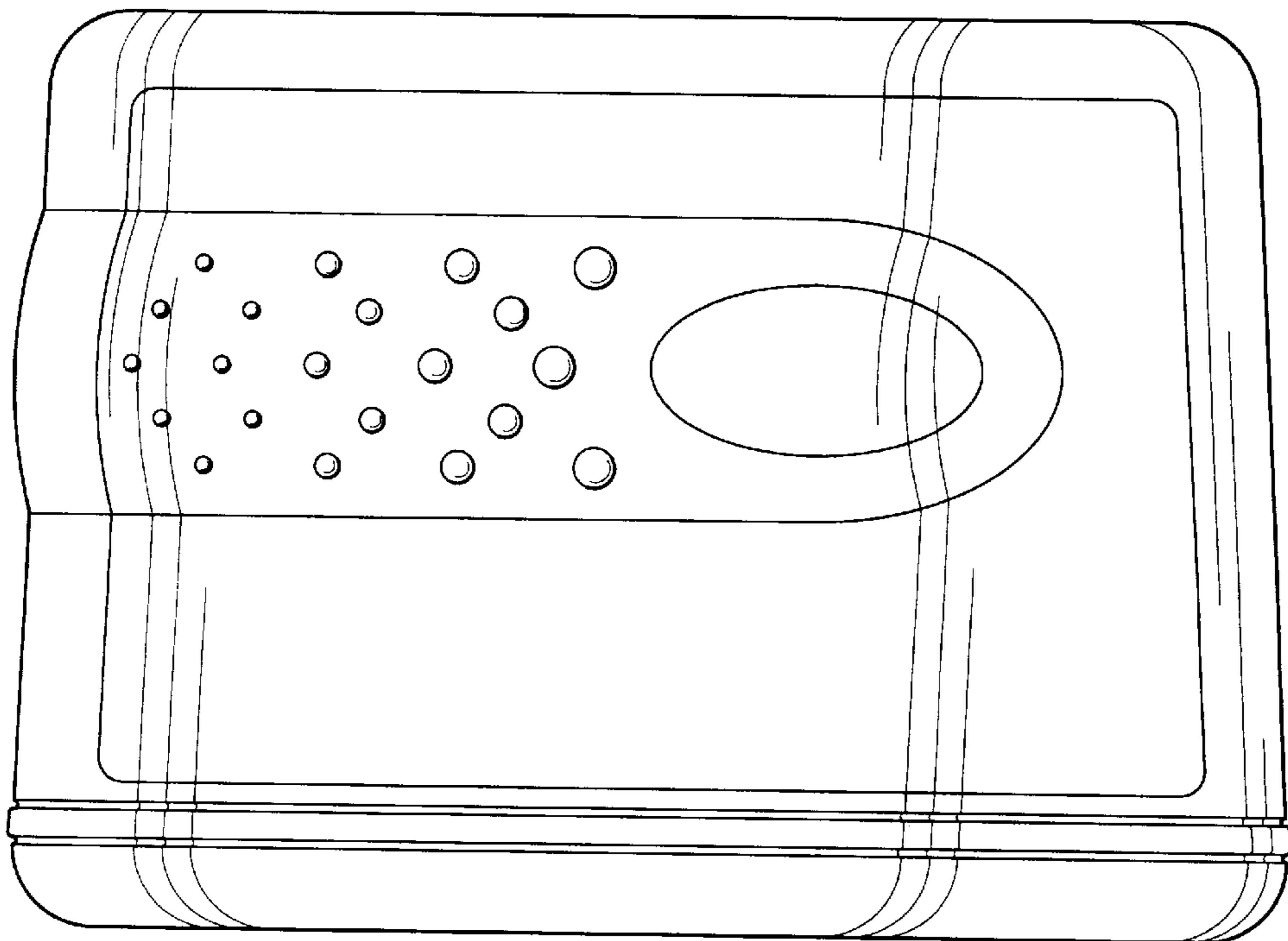


Fig-2

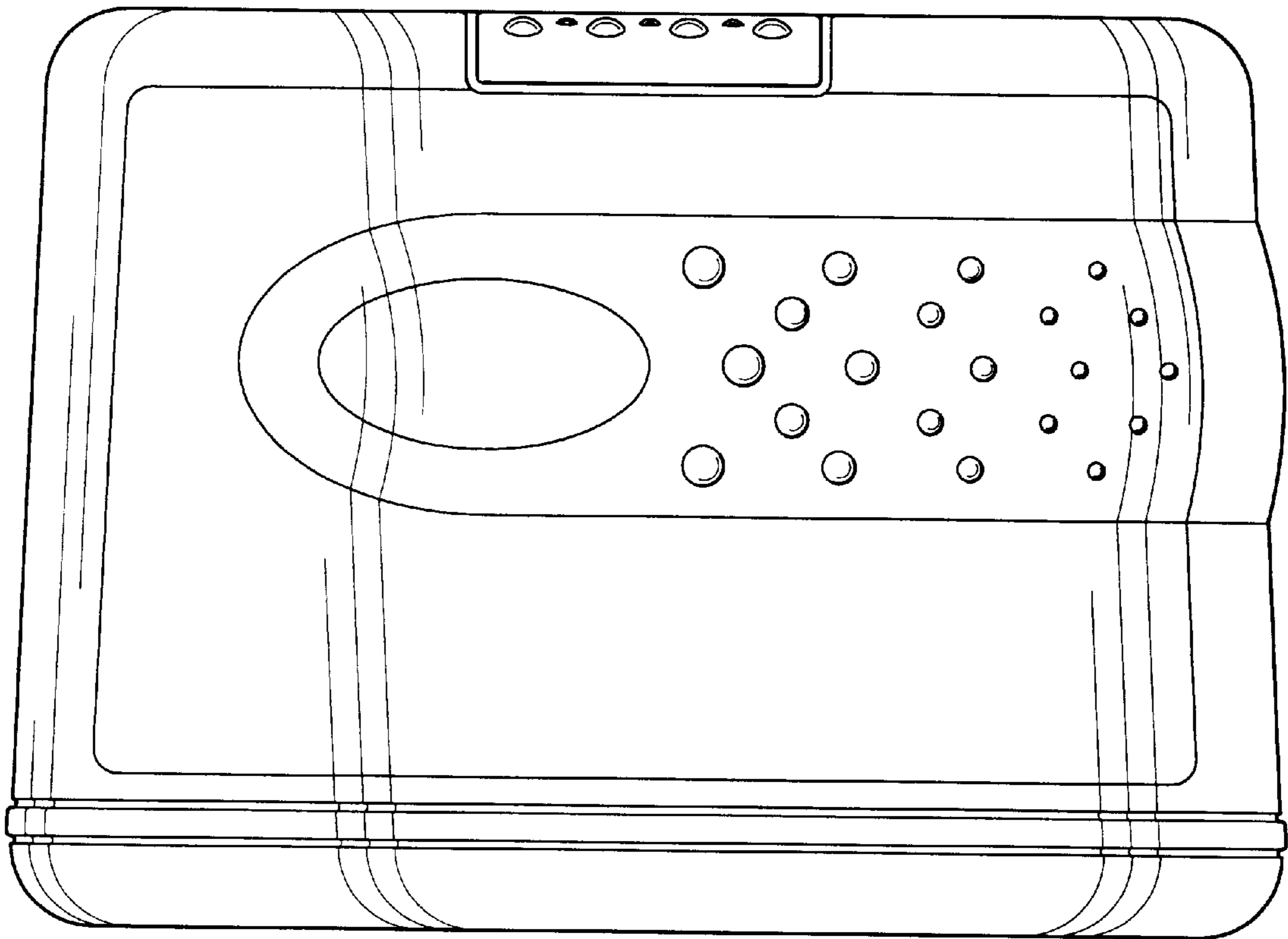


Fig-3

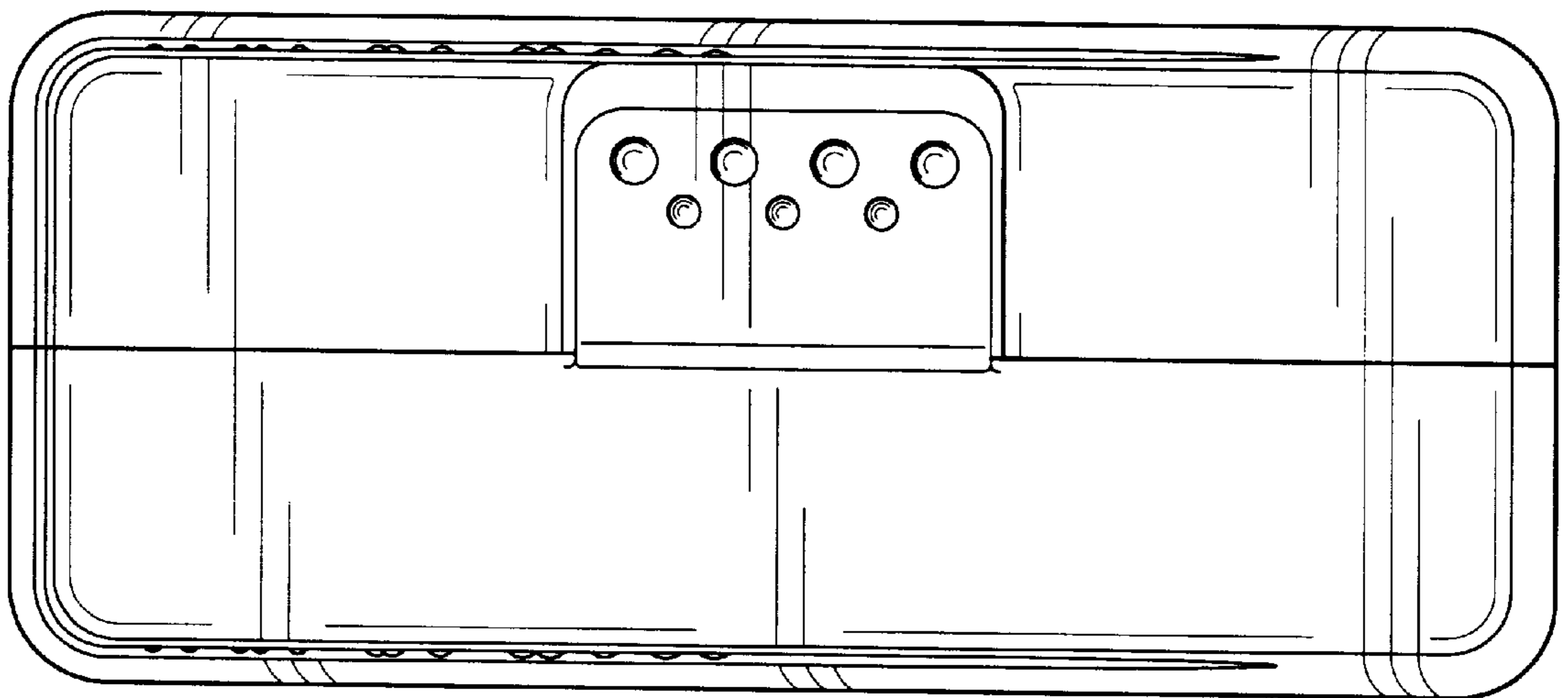


Fig-4

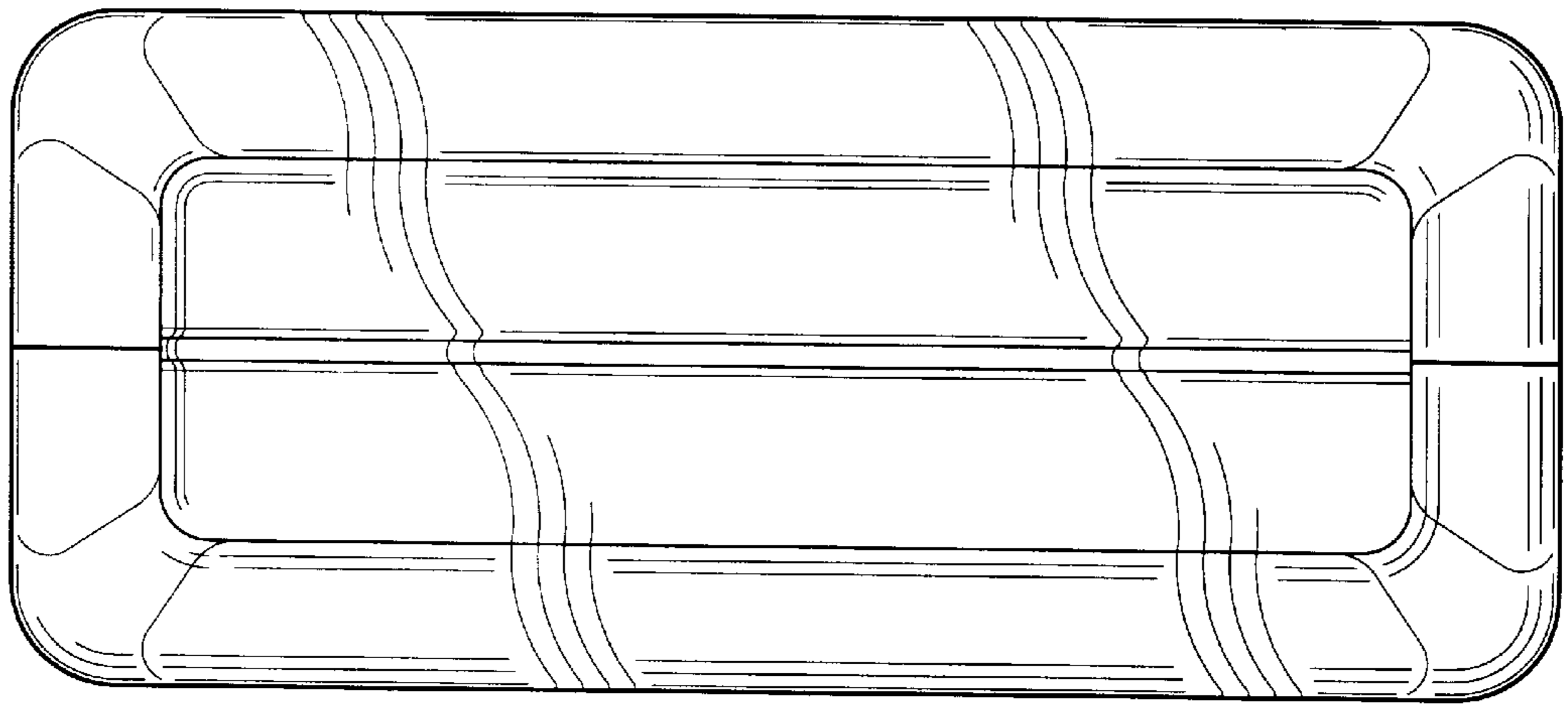


Fig-5

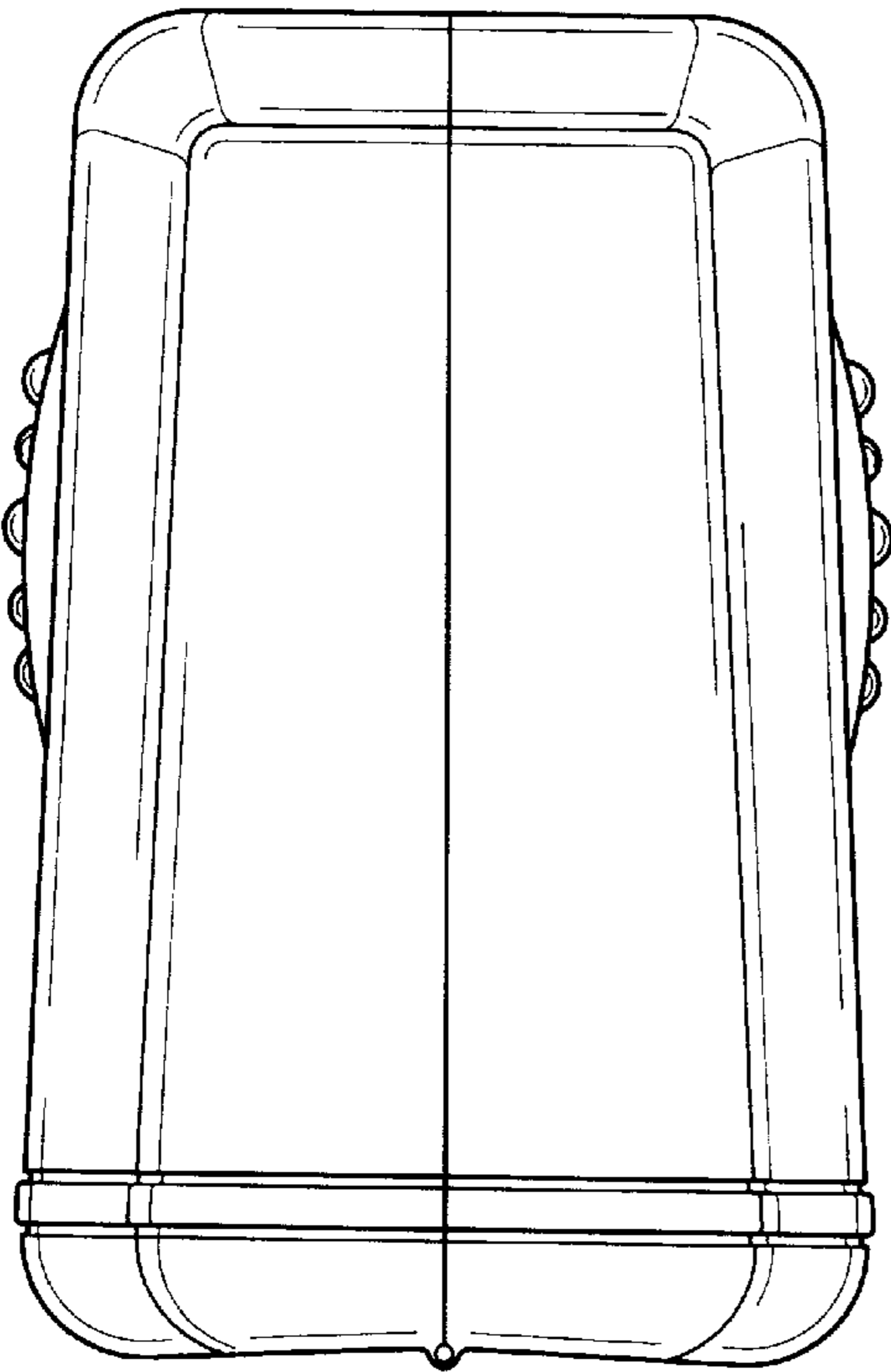


Fig-6

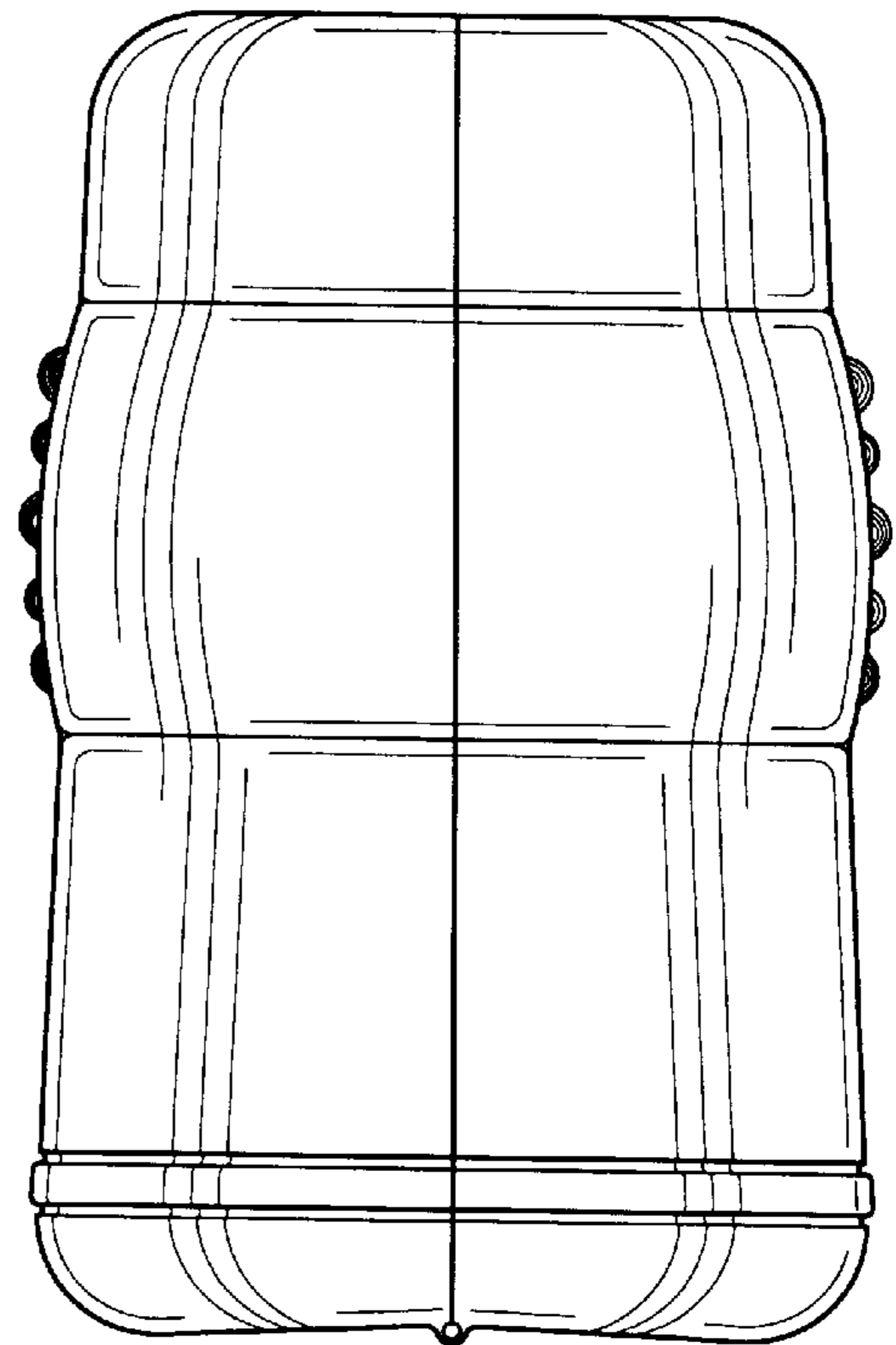


Fig-7

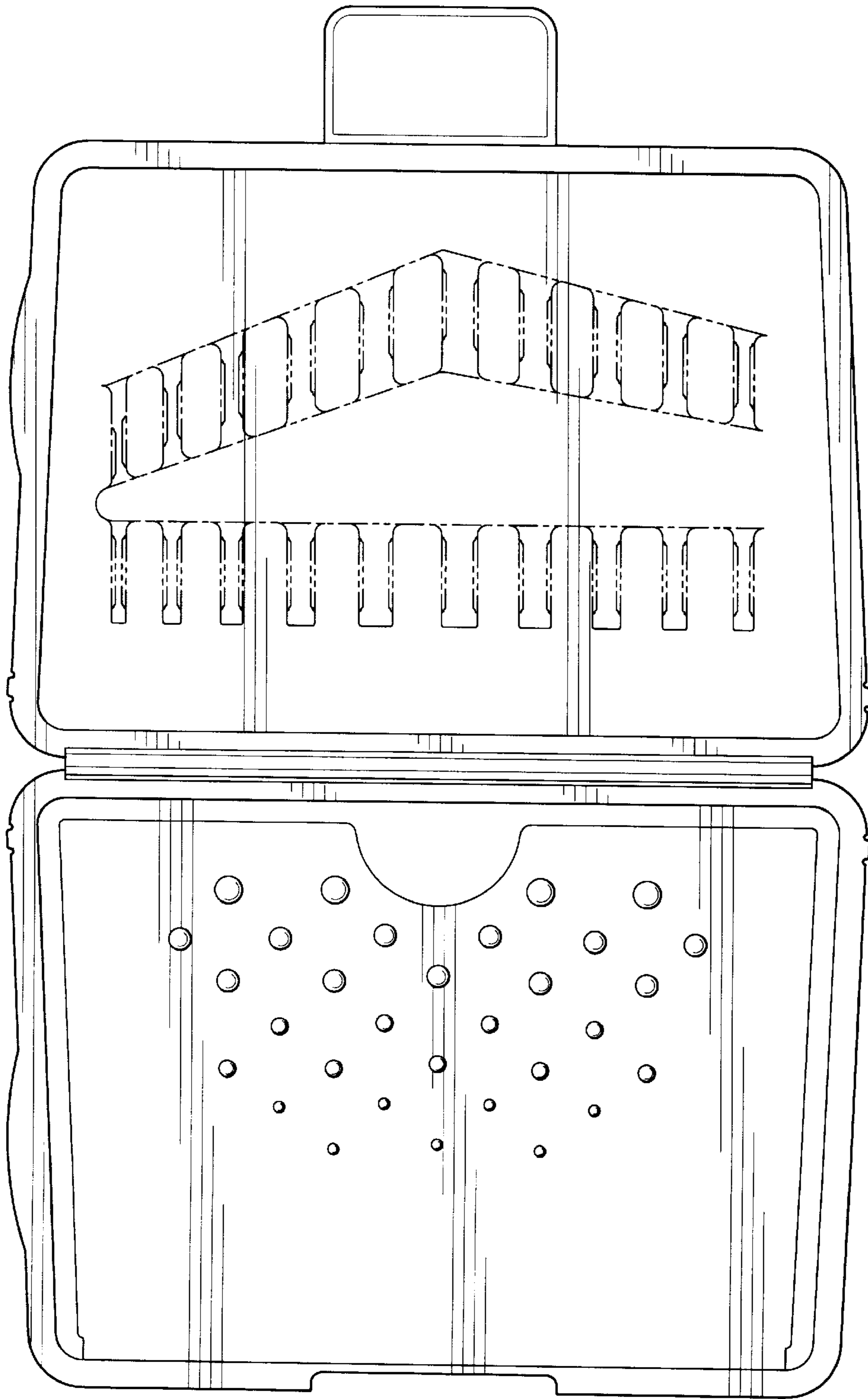


Fig-8

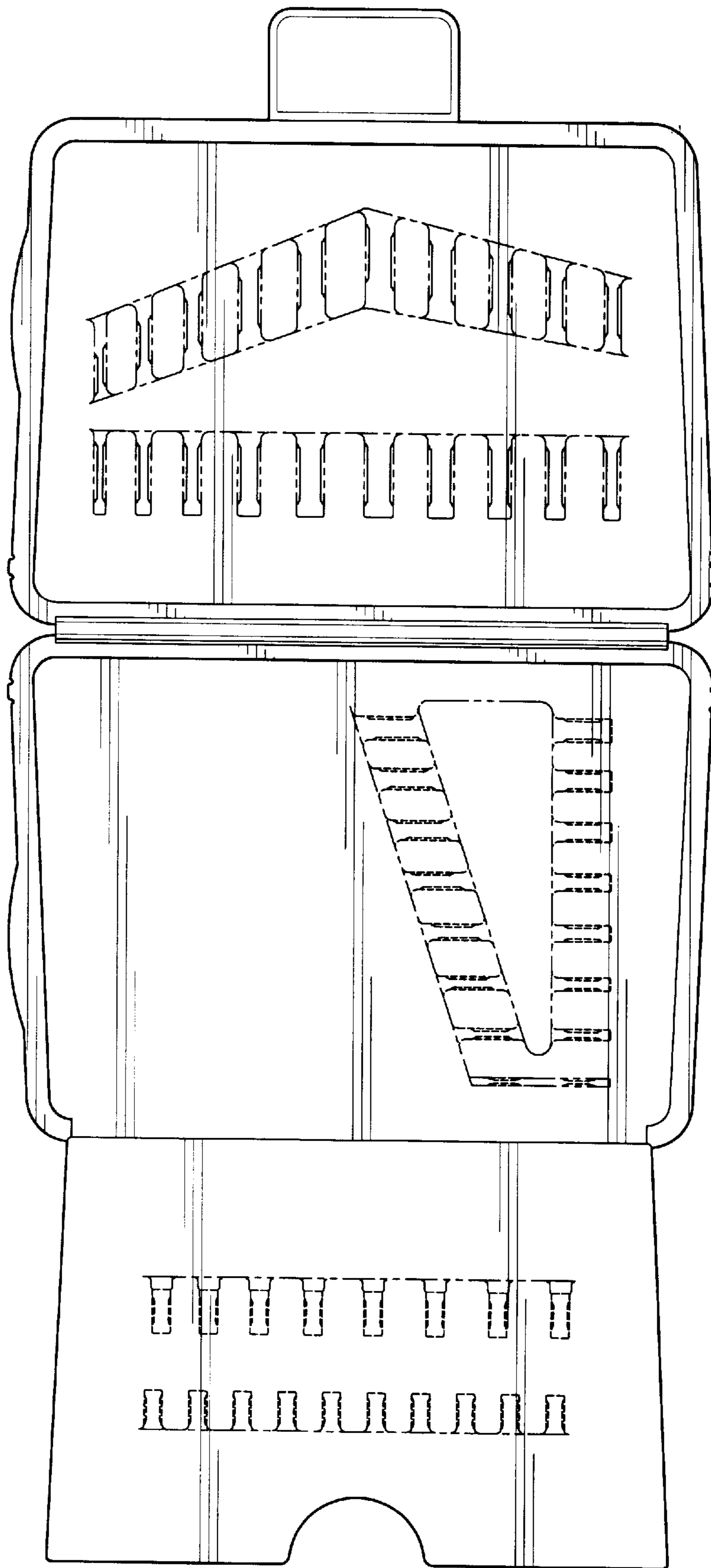


Fig-9

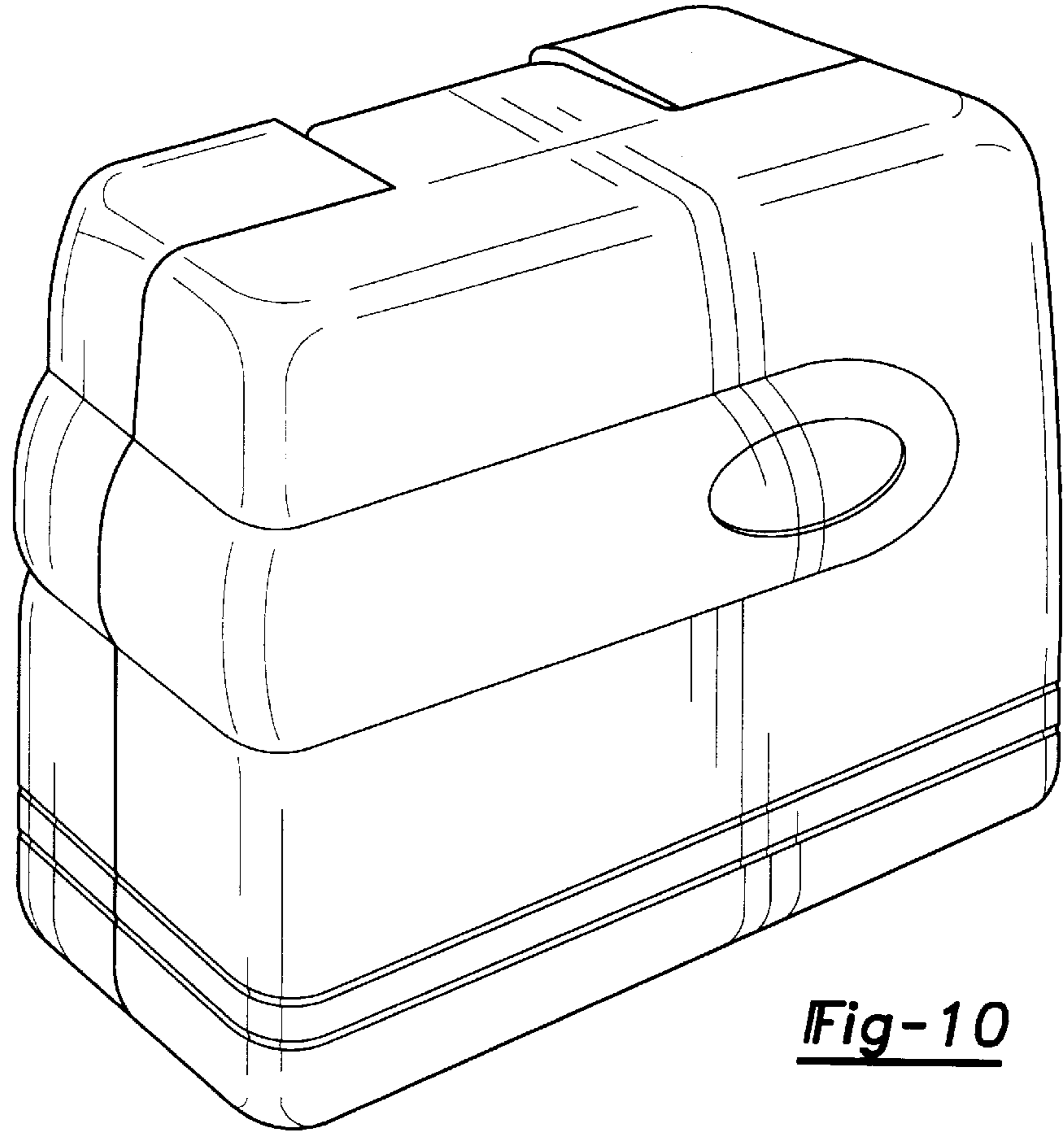


Fig-10

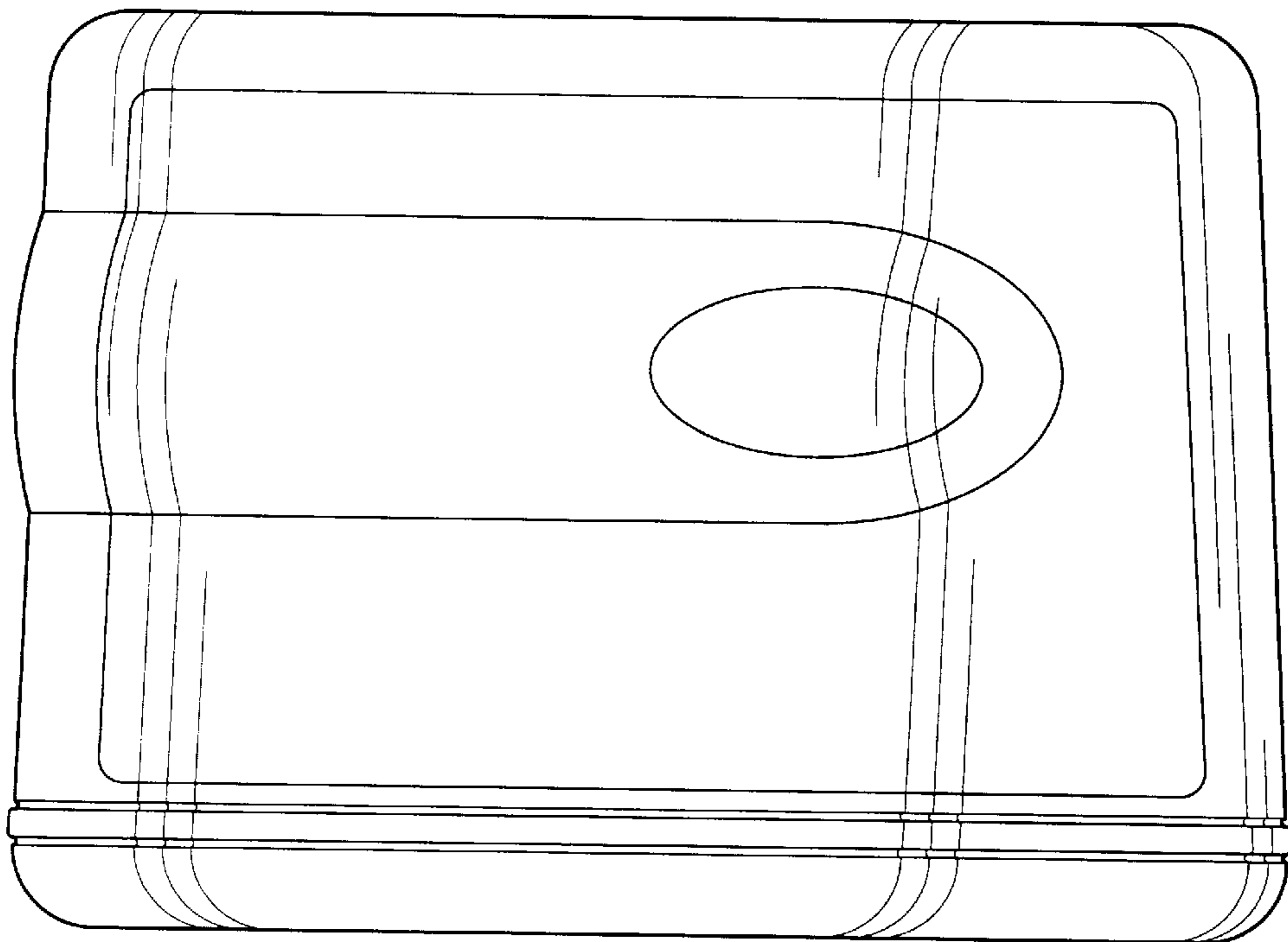


Fig-11

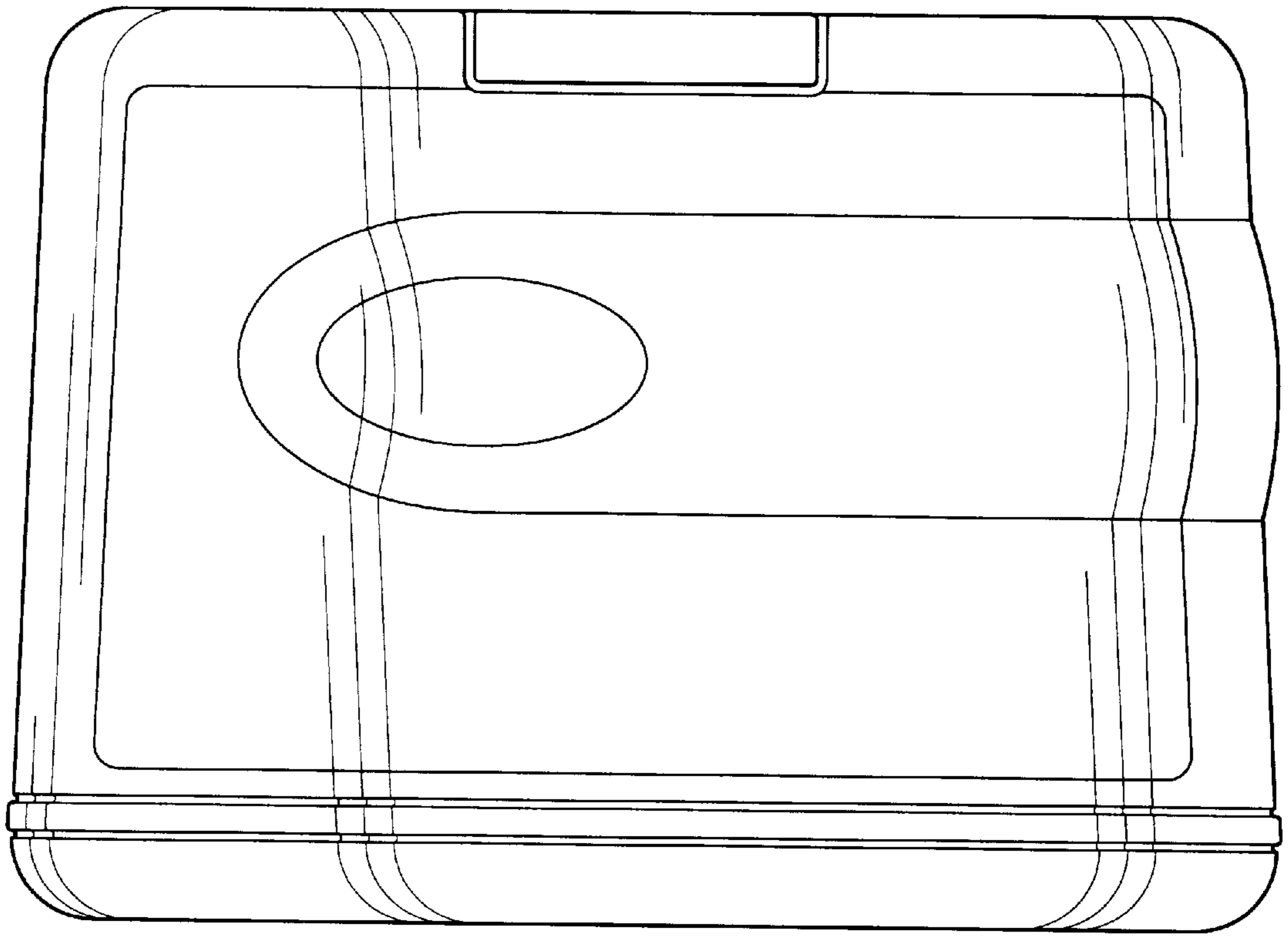


Fig-12

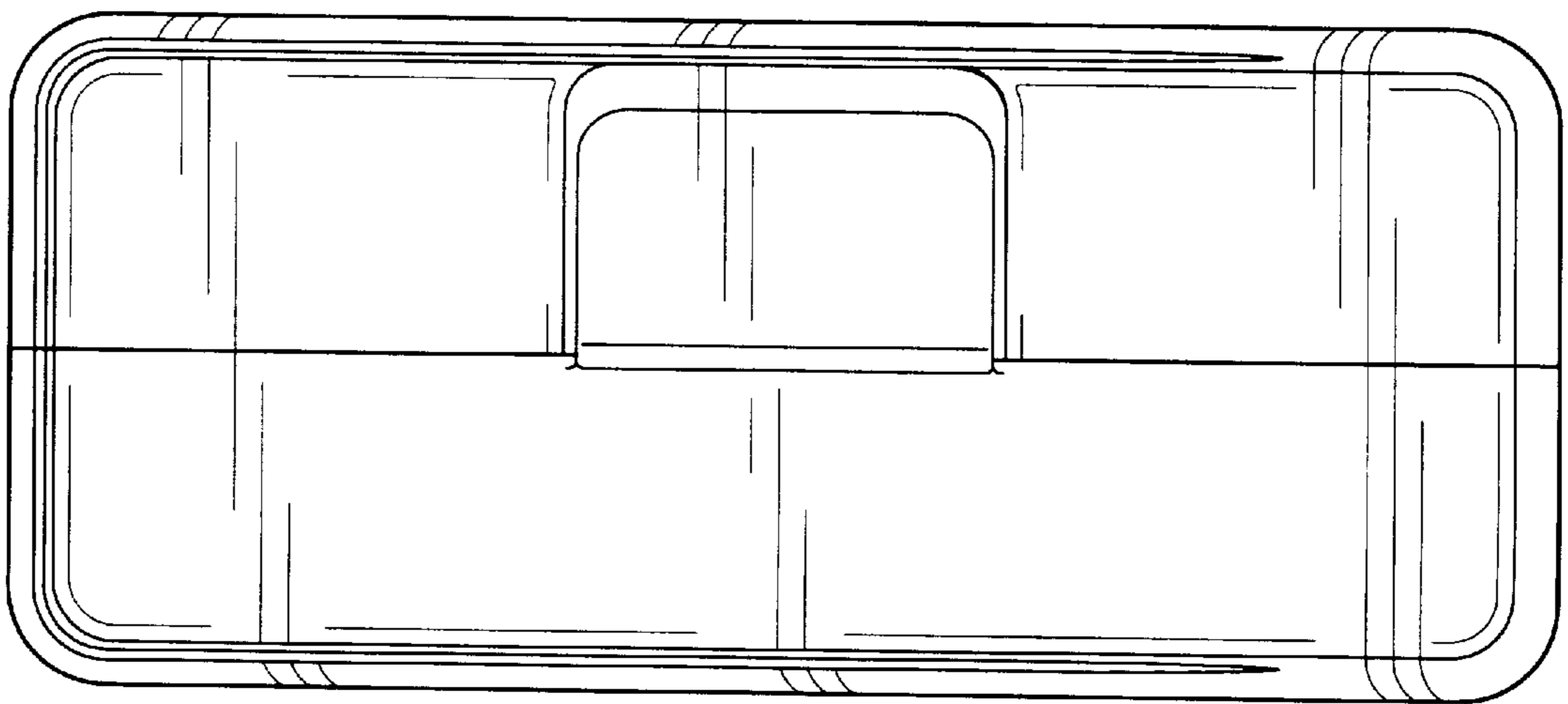


Fig-13

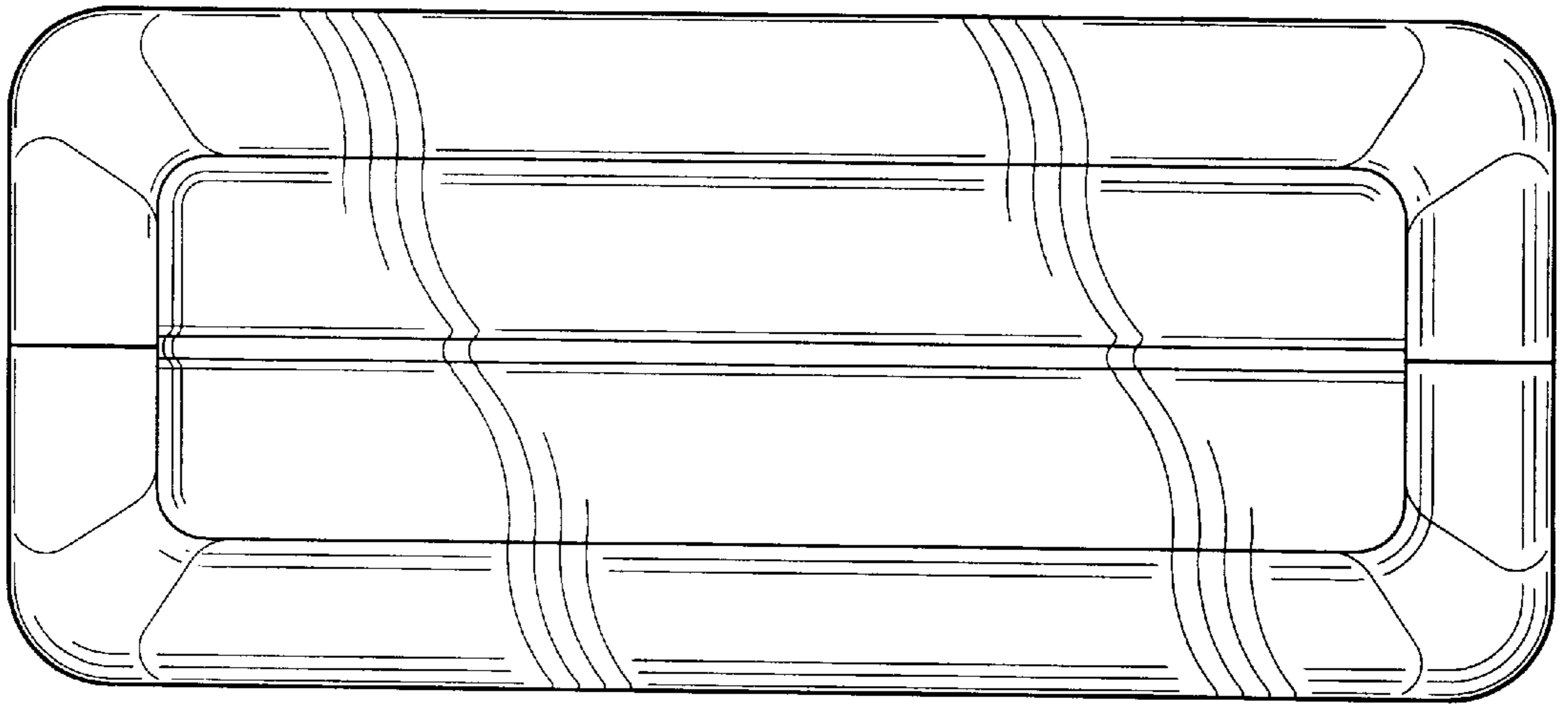


Fig-14

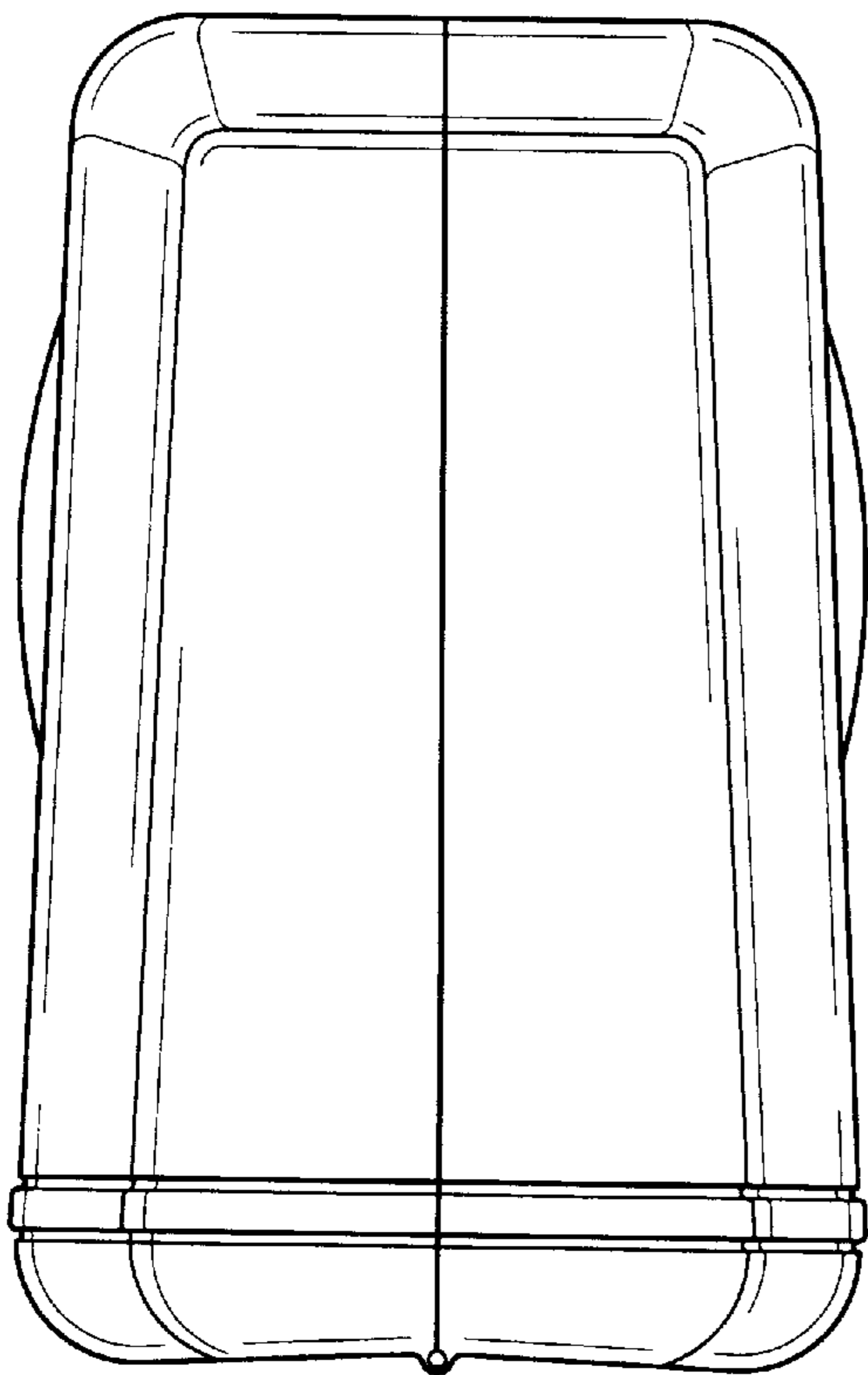


Fig-15

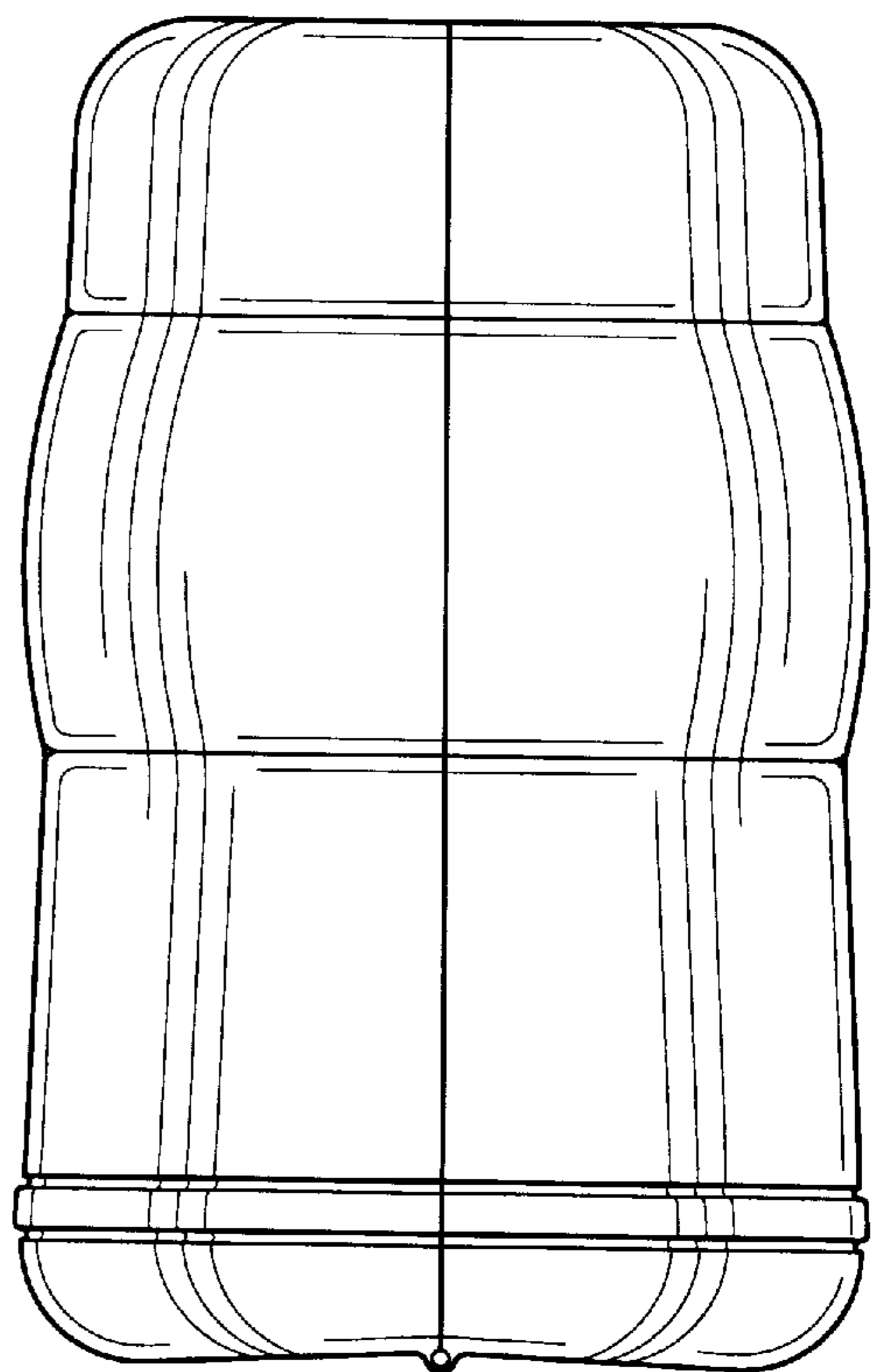


Fig-16

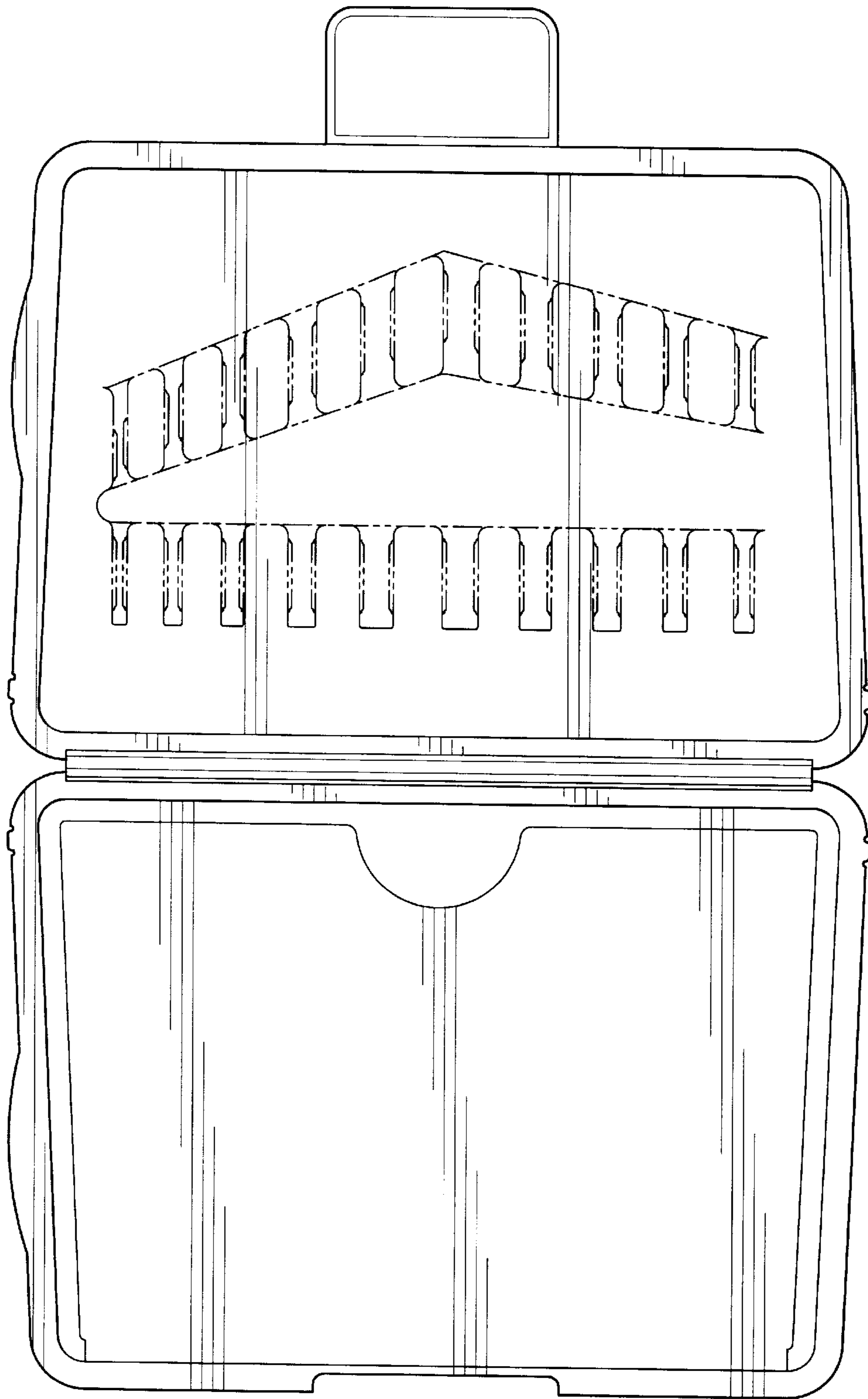


Fig-17