



US00D467077S

(12) **United States Design Patent**
Nawrozki et al.

(10) **Patent No.:** **US D467,077 S**
(45) **Date of Patent:** **** Dec. 17, 2002**

(54) **KIT BOX**

(76) Inventors: **Damon J. Nawrozki**, 10a Cavalcade Ct., Parkville, MD (US) 21234; **Vincent P. Cooper**, 5729 Ridgedale Rd., Baltimore, MD (US) 21209

(**) Term: **14 Years**

(21) Appl. No.: **29/151,226**

(22) Filed: **Oct. 29, 2001**

(51) **LOC (7) Cl.** **03-01**

(52) **U.S. Cl.** **D3/282; D3/905**

(58) **Field of Search** **D3/272, 273, 276, D3/281, 282, 294, 905; 206/349, 372, 373, 379**

5,533,843 A	7/1996	Chung	206/349
5,622,258 A	4/1997	Baublitz et al.	206/349
D379,715 S	* 6/1997	Yemini	D3/282
D382,115 S	* 8/1997	Chang	D3/282
D399,652 S	* 10/1998	Fang	D3/276
D413,203 S	8/1999	Zurwelle et al.	D3/276
D429,884 S	8/2000	Zurwelle et al.	D3/281
6,267,238 B1	7/2001	Miller et al.	206/349
D446,650 S	* 8/2001	Chen	D3/282

* cited by examiner

Primary Examiner—Philip S. Hyder

(74) *Attorney, Agent, or Firm*—Bruce S. Shapiro; Michael P. Leary

(57) **CLAIM**

The ornamental design for a kit box, as shown and described.

(56) **References Cited**

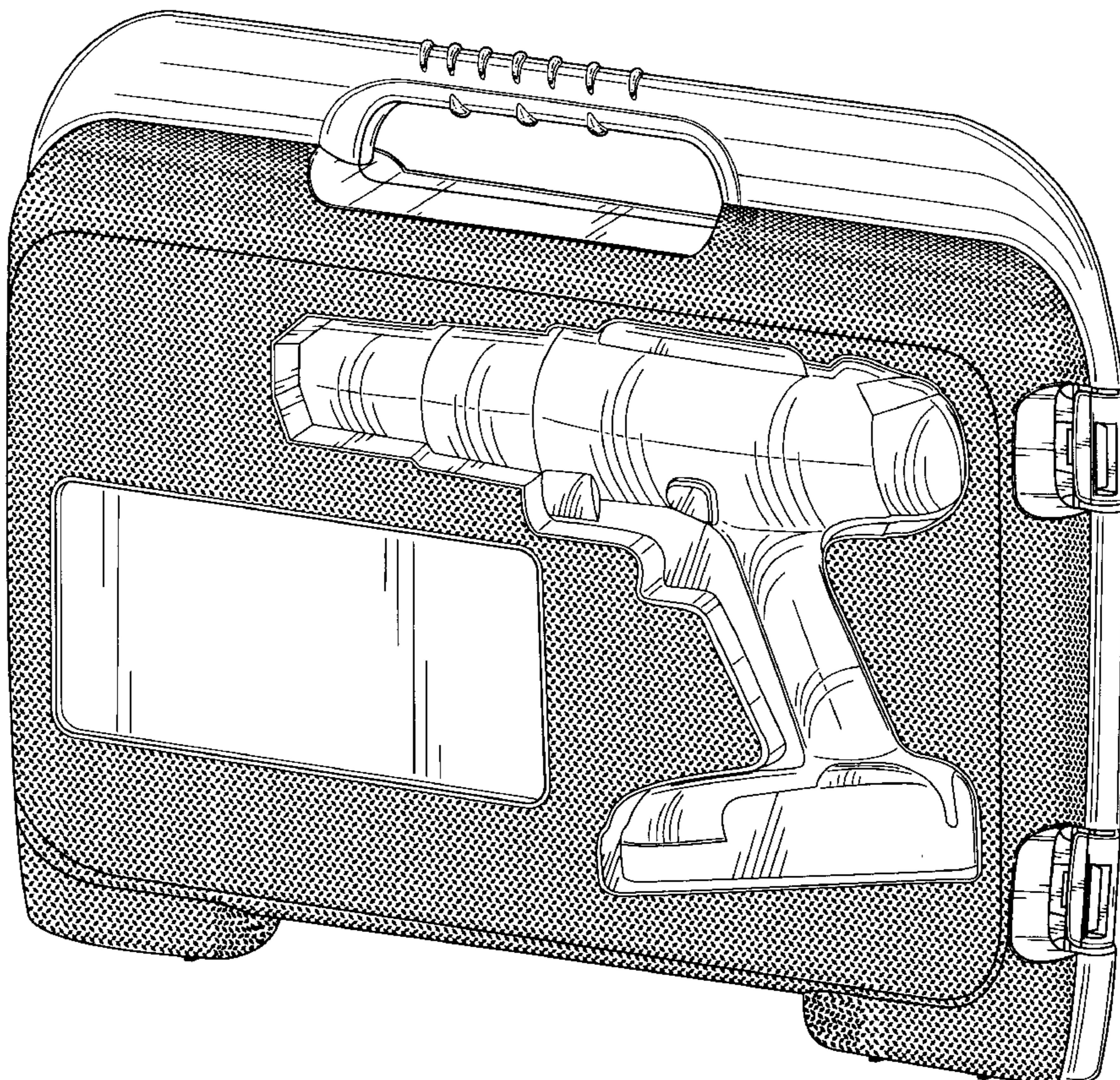
U.S. PATENT DOCUMENTS

380,002 A	3/1888	Turner	
3,612,335 A	10/1971	Schurman	
3,933,243 A	1/1976	Schurman 206/349
3,983,996 A	10/1976	Hendren, III 206/363
D293,583 S	1/1988	Dunlap	
4,768,652 A	9/1988	Fallon 206/373
4,917,238 A	4/1990	Smith 206/349
4,934,530 A	6/1990	Riess 206/379
D320,934 S	10/1991	Cross et al. D9/415
D347,731 S	* 6/1994	Hayakawa et al. D3/282

DESCRIPTION

FIG. 1 is a front perspective view of a kit box showing our design.
FIG. 2 is a top plan view thereof.
FIG. 3 is a bottom plan view thereof.
FIG. 4 is a right side elevational view thereof.
FIG. 5 is a left side elevational view thereof.
FIG. 6 is a front elevational view thereof; and,
FIG. 7 is a rear elevational view thereof.

1 Claim, 5 Drawing Sheets



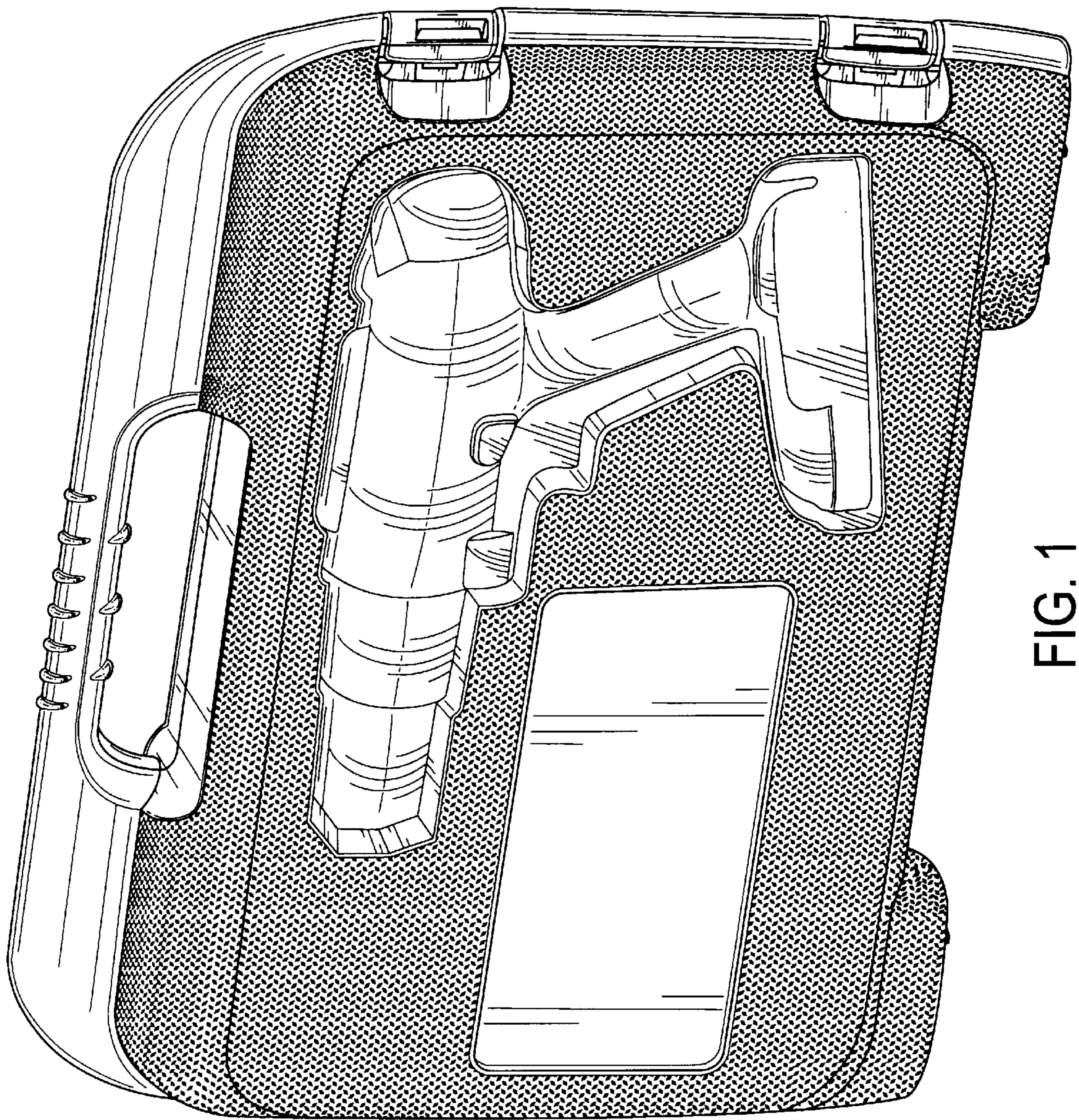


FIG. 1

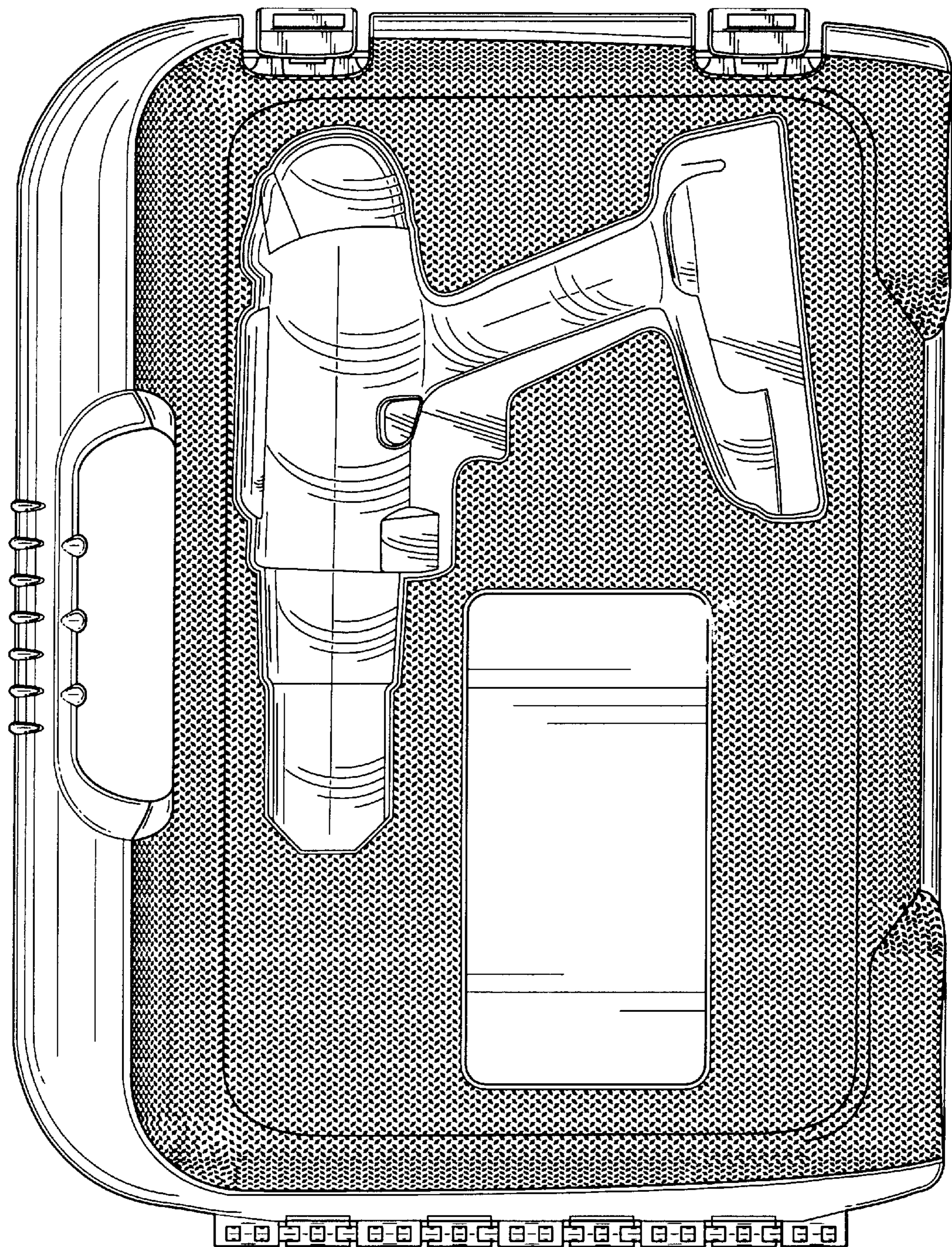


FIG. 2

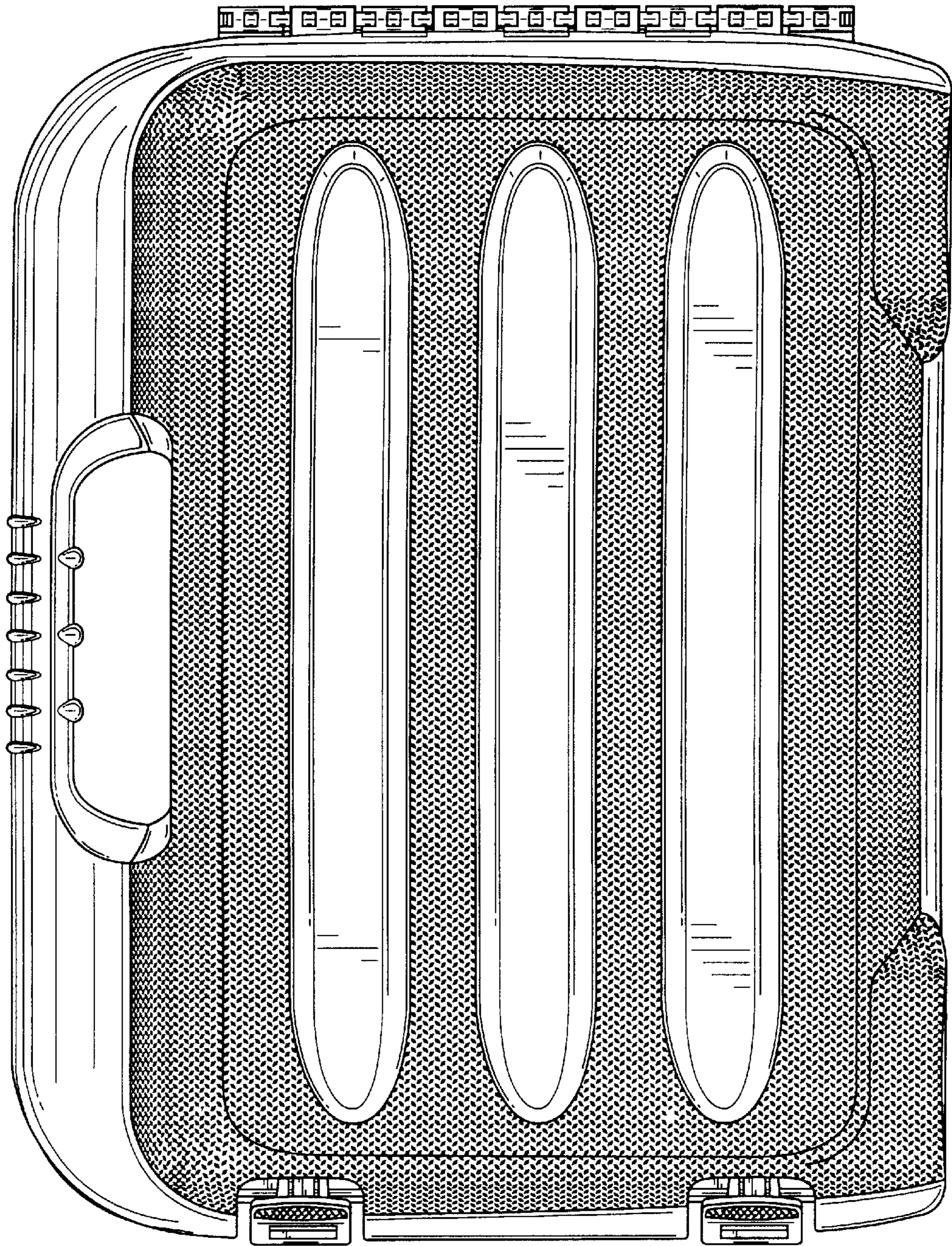


FIG. 3

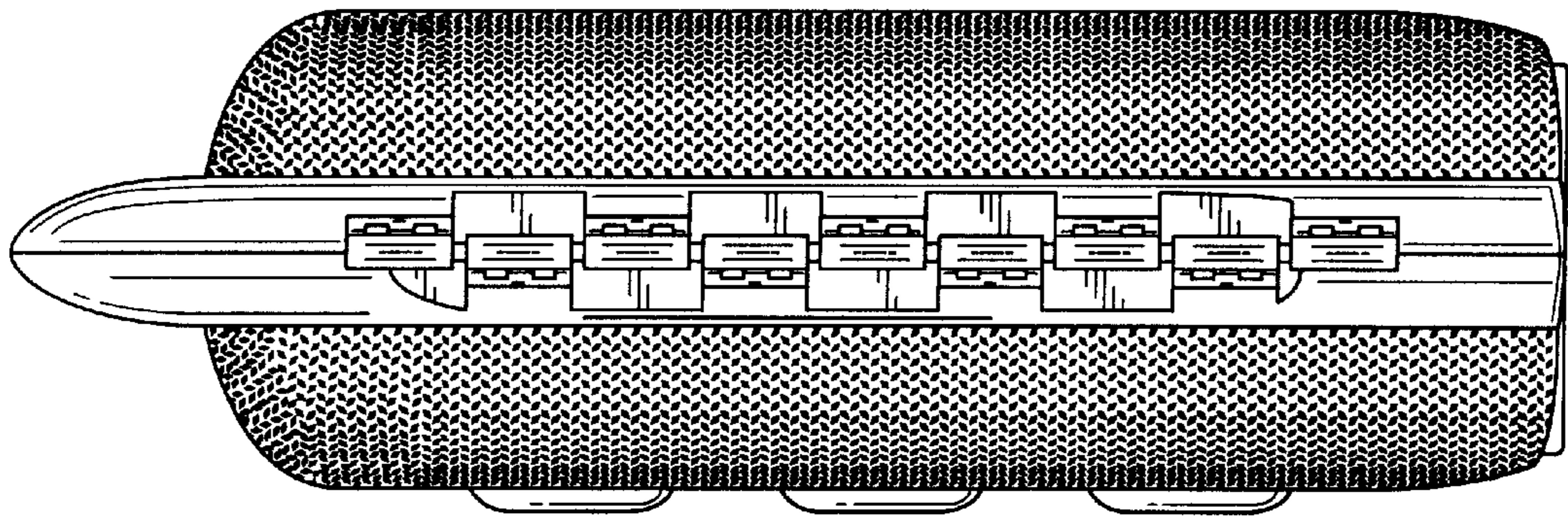


FIG. 5

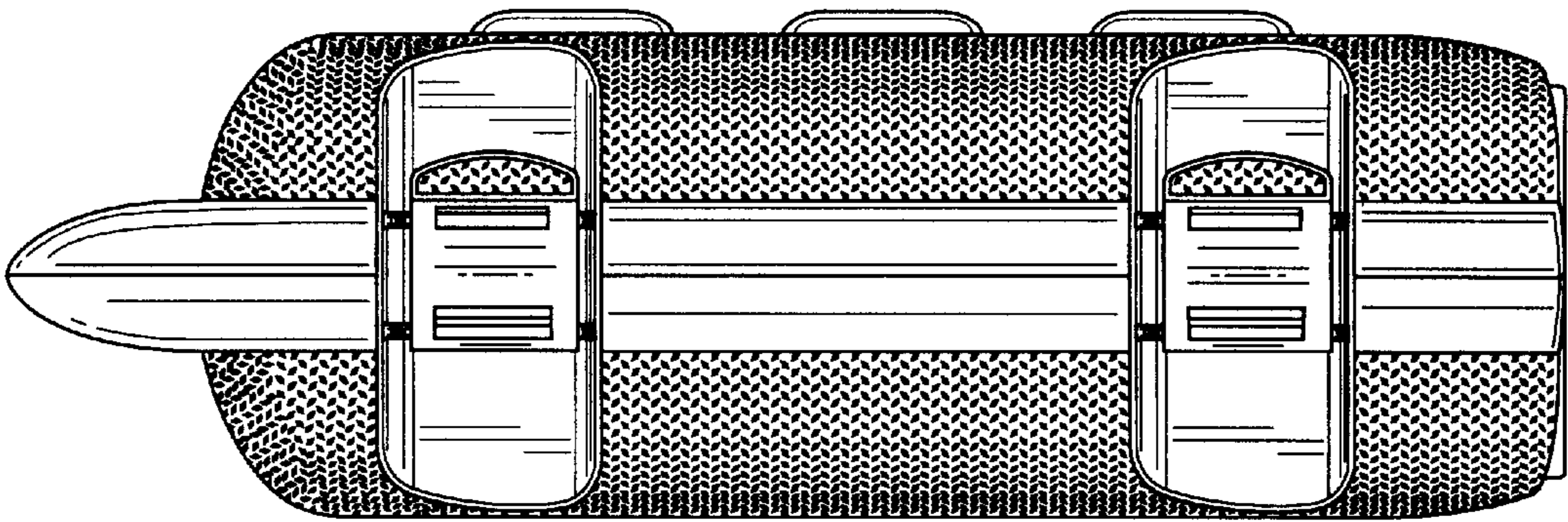


FIG. 4

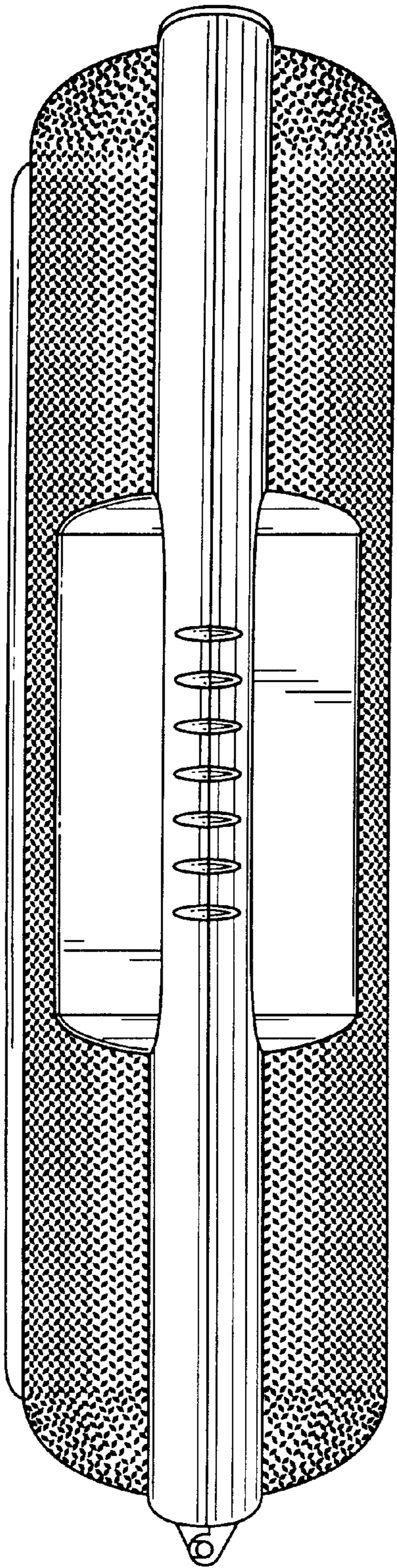


FIG. 6

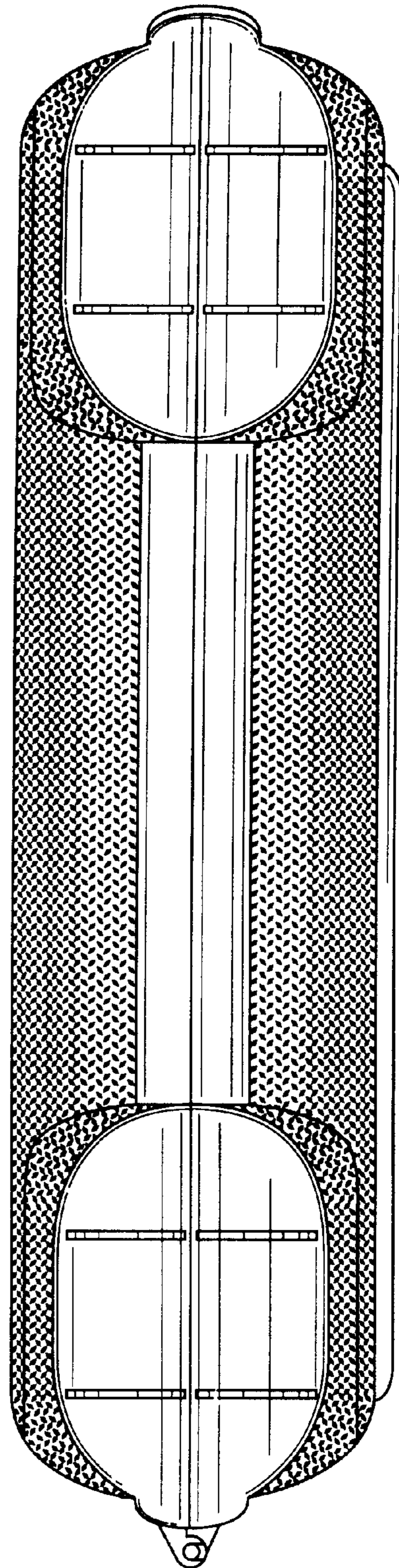


FIG. 7