



US00D467076S

(12) **United States Design Patent**  
**Fajers et al.**

(10) **Patent No.:** **US D467,076 S**

(45) **Date of Patent:** **\*\* Dec. 17, 2002**

(54) **BEARING STORAGE BOX**

(75) Inventors: **Christian Fajers**, Gånghester (SE);  
**Anders Sahlgren**, Mölndal (SE); **Lars Stigsjö**, Göteborg (SE)

(73) Assignee: **Aktiebolaget SKF**, Gothenburg (SE)

(\*\*) Term: **14 Years**

(21) Appl. No.: **29/147,753**

(22) Filed: **Sep. 6, 2001**

(30) **Foreign Application Priority Data**

Mar. 6, 2001 (SE) ..... 01-0412

(51) **LOC (7) Cl.** ..... **03-01**

(52) **U.S. Cl.** ..... **D3/273; D3/302**

(58) **Field of Search** ..... D3/269, 272, 273,  
D3/294, 302; D9/420, 423, 424; 206/508,  
509, 511, 515

(56) **References Cited**

**U.S. PATENT DOCUMENTS**

3,419,184 A \* 12/1968 Asenbauer ..... 206/508  
3,913,741 A \* 10/1975 Pirie ..... 206/508  
D327,646 S \* 7/1992 Hardigg et al. .... D9/424  
D394,550 S \* 5/1998 Tanji ..... D3/273  
5,842,575 A \* 12/1998 Dressen et al. .... 206/454  
5,992,638 A \* 11/1999 Gregerson et al. .... 206/454  
D430,395 S \* 9/2000 Holahan ..... D3/272

D432,787 S \* 10/2000 Holahan ..... D3/272  
D440,042 S \* 4/2001 Holahan ..... D3/272  
6,318,586 B1 \* 11/2001 Frankenberg ..... 206/508

\* cited by examiner

*Primary Examiner*—Philip S. Hyder

(74) *Attorney, Agent, or Firm*—Burns Doane Swecker & Mathis L.L.P.

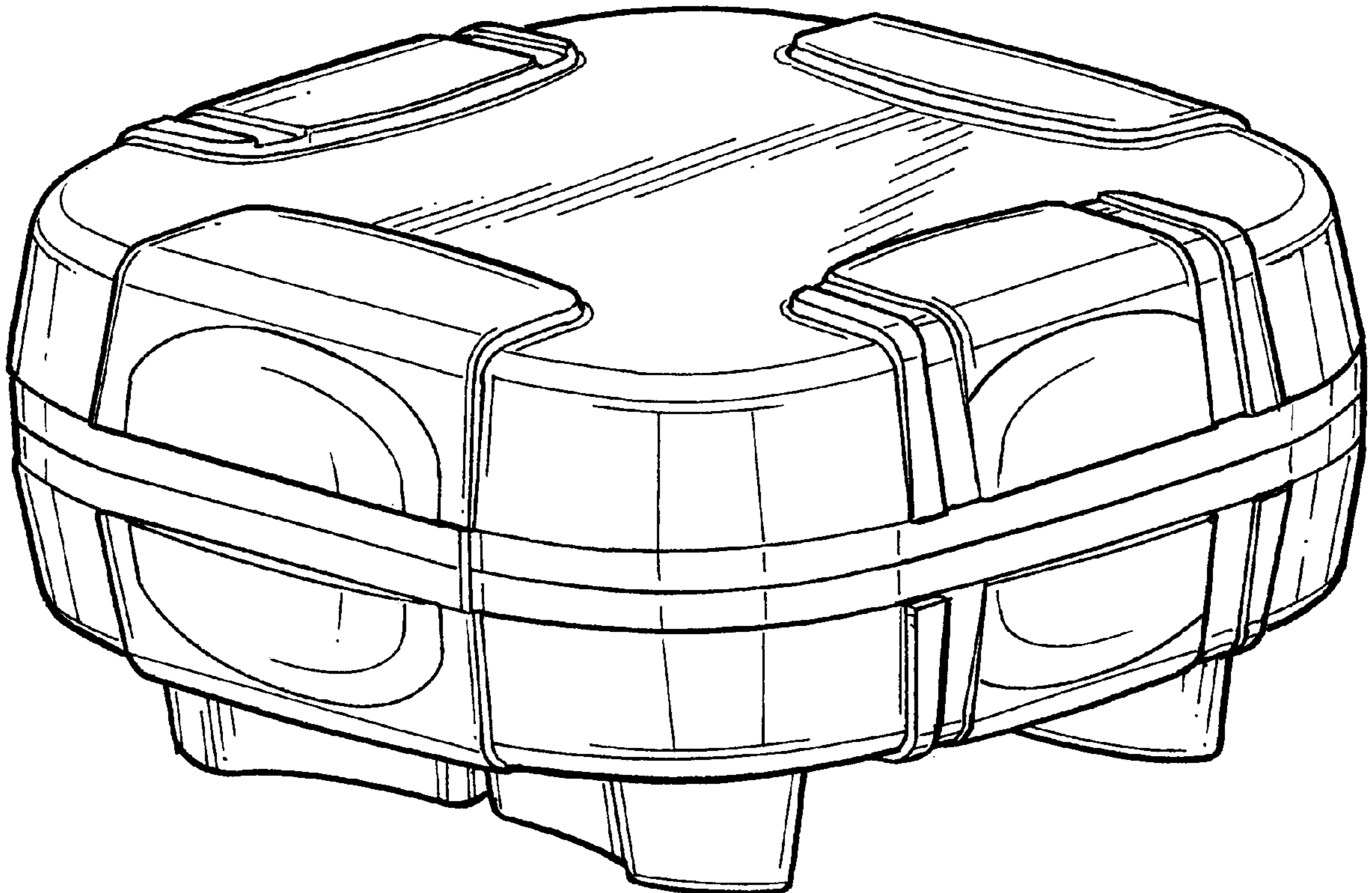
(57) **CLAIM**

The ornamental design for a bearing storage box, as shown and described.

**DESCRIPTION**

FIG. 1 is a top, side perspective view showing a bearing storage box according to our new design;  
FIG. 2 is a bottom, side perspective view thereof;  
FIG. 3 is a bottom, side perspective view showing a lower part of the bearing storage box shown in FIG. 1, with the upper part removed;  
FIG. 4 is a top, side perspective view thereof;  
FIG. 5 is a bottom plan view thereof;  
FIG. 6 is a top plan view thereof;  
FIG. 7 is a top, side perspective view showing an upper part of the bearing storage box shown in FIG. 1, with the lower part removed;  
FIG. 8 is a bottom, side perspective view thereof;  
FIG. 9 is a top plan view thereof; and,  
FIG. 10 is a bottom plan view thereof.

**1 Claim, 6 Drawing Sheets**



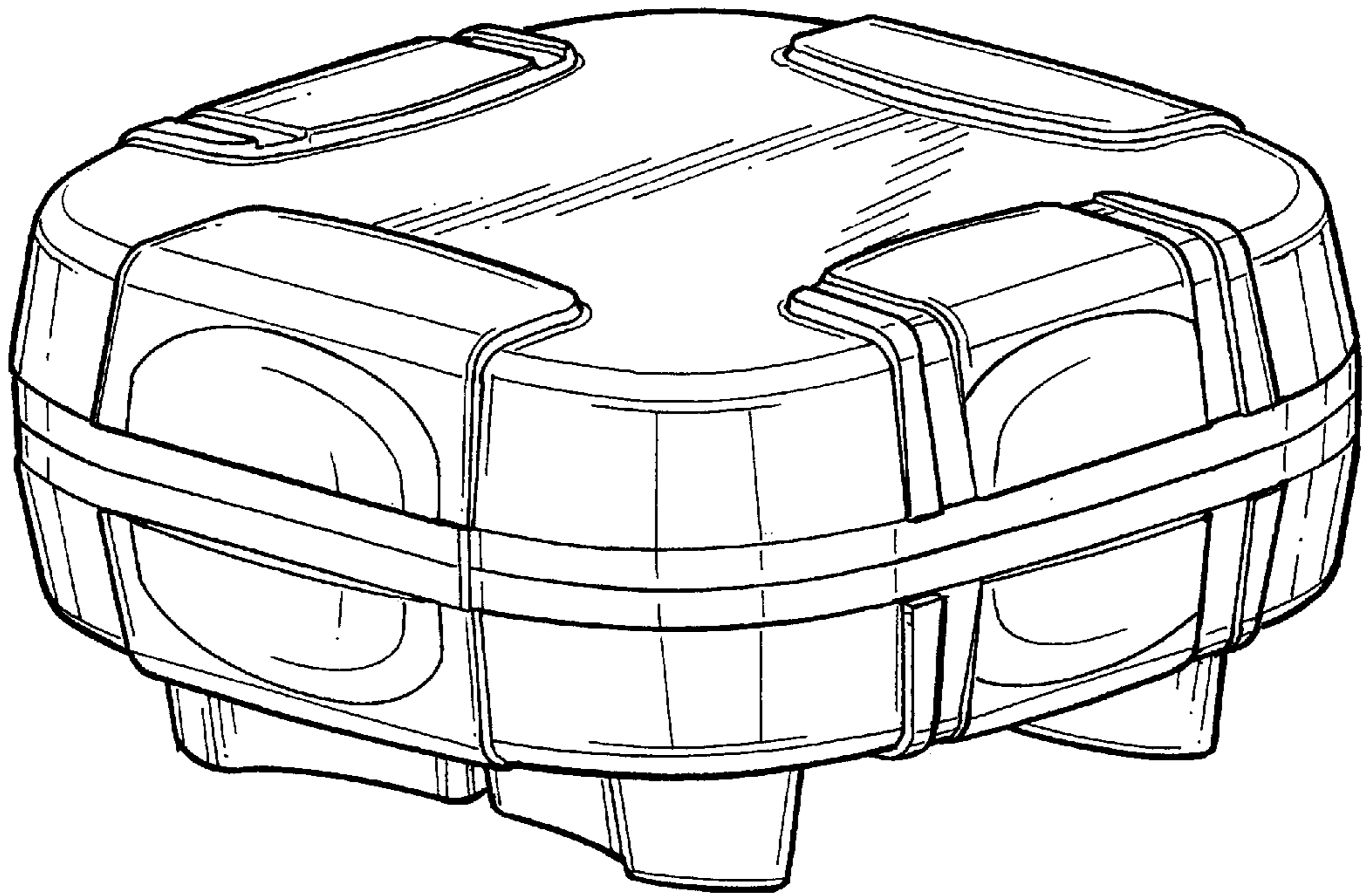


FIG. 1

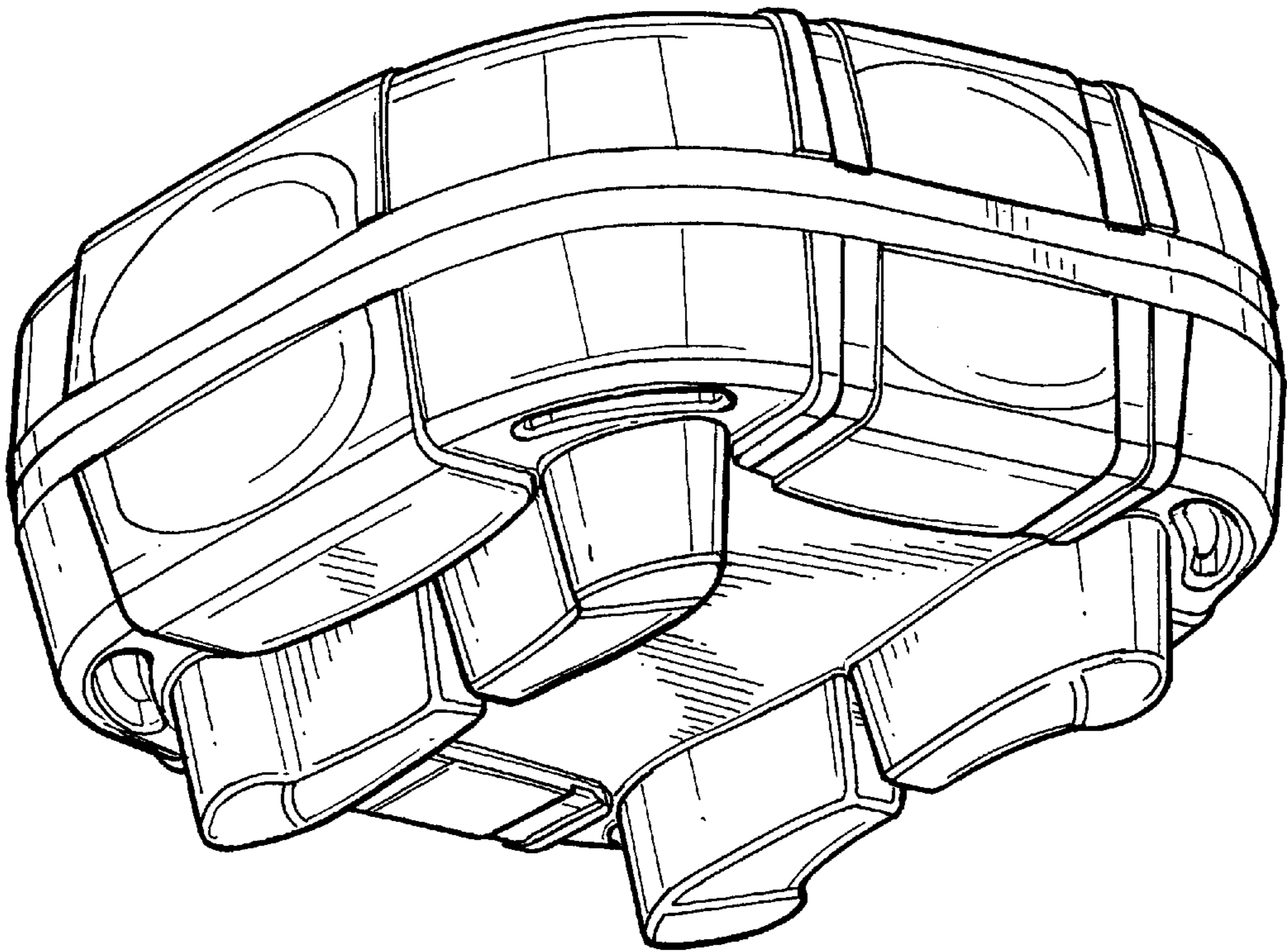


FIG. 2

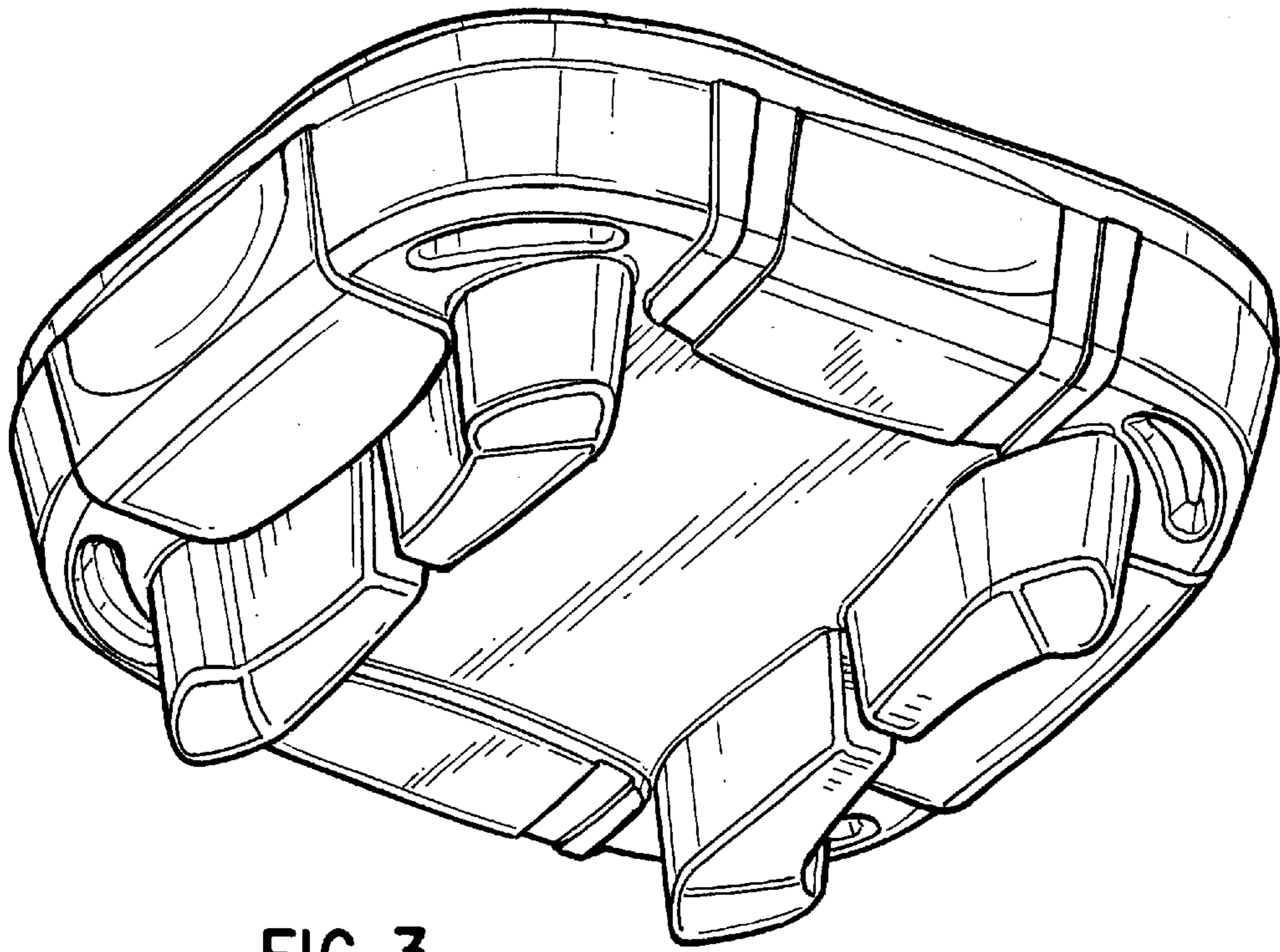


FIG. 3

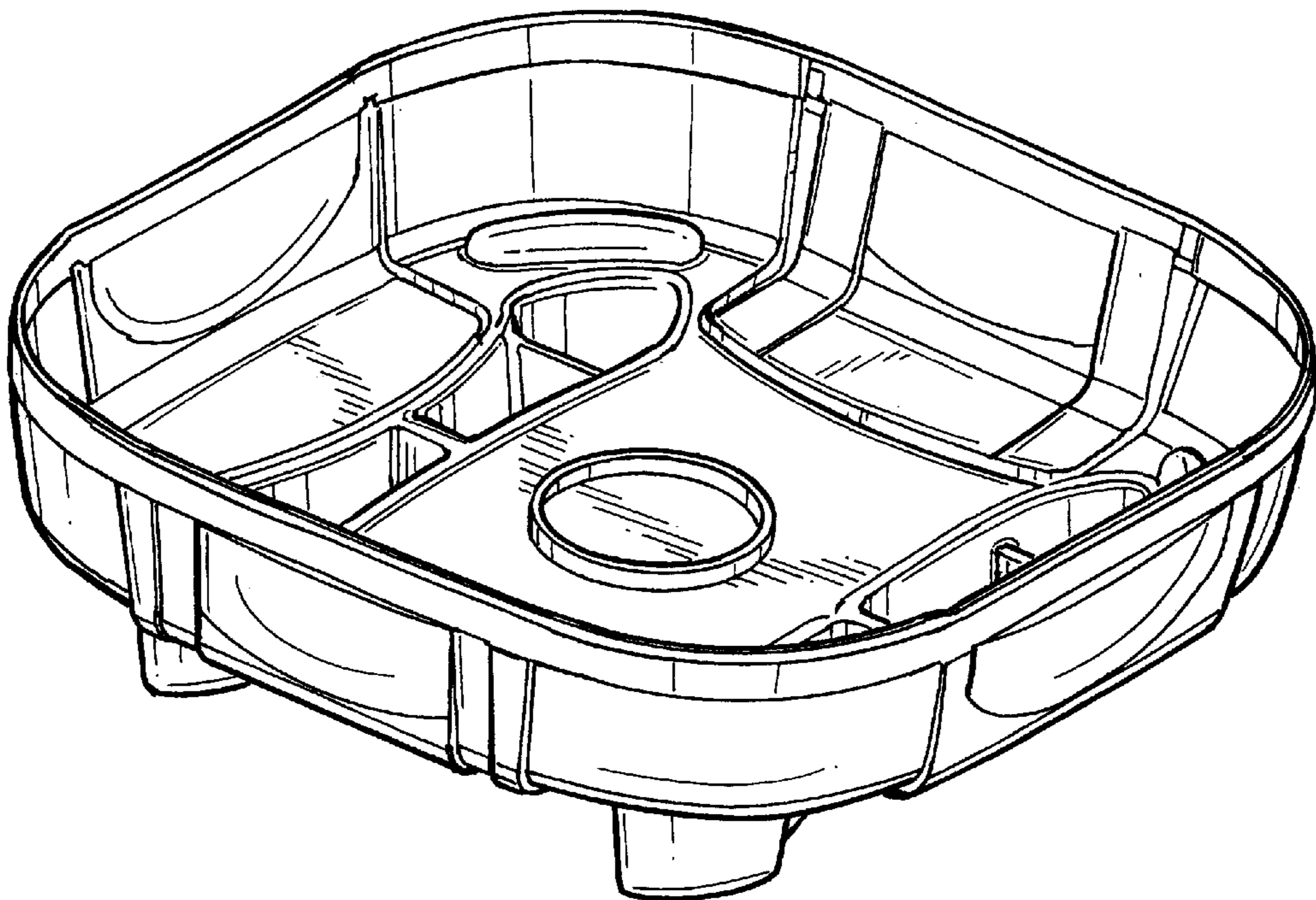


FIG. 4

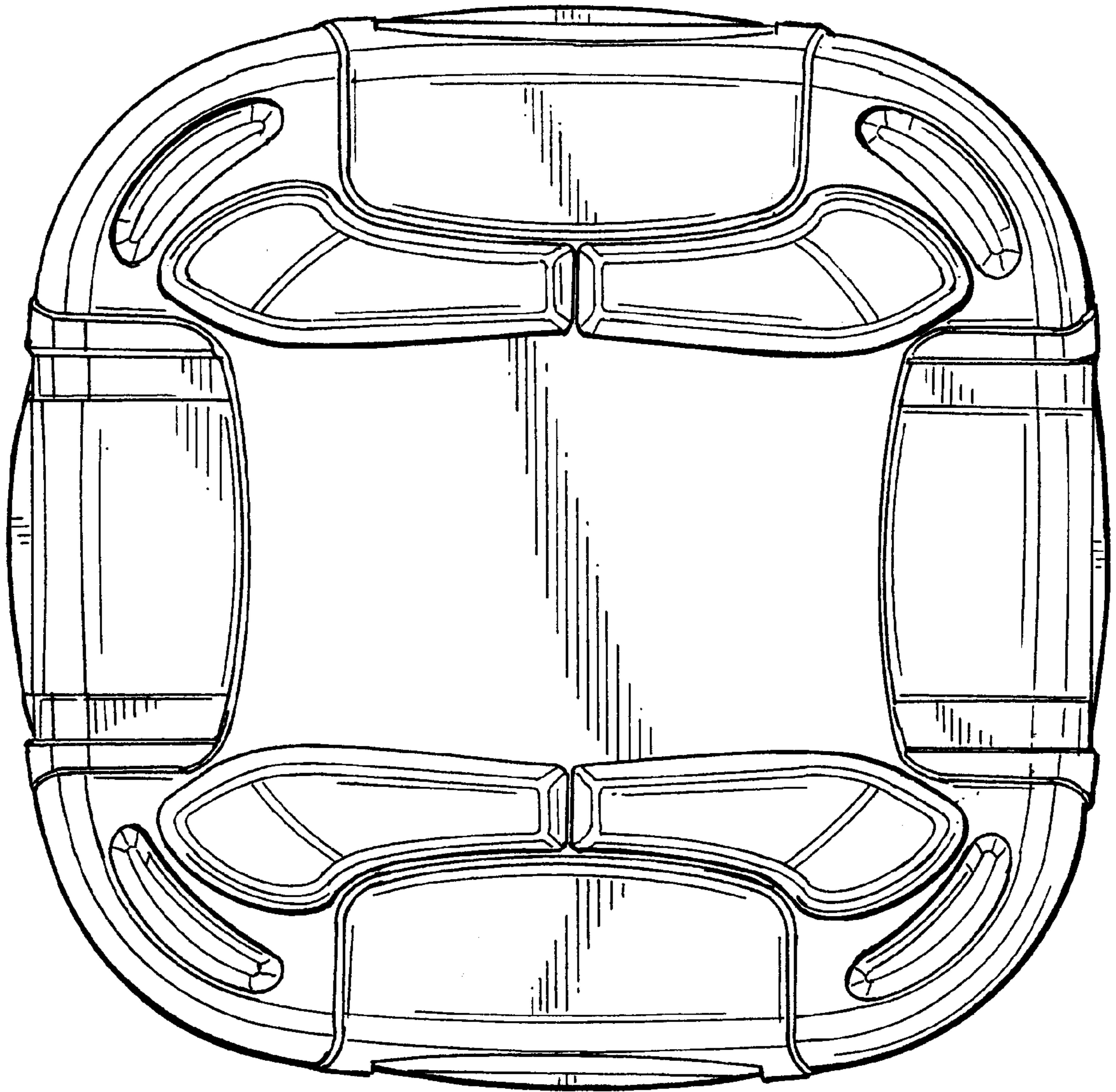


FIG. 5

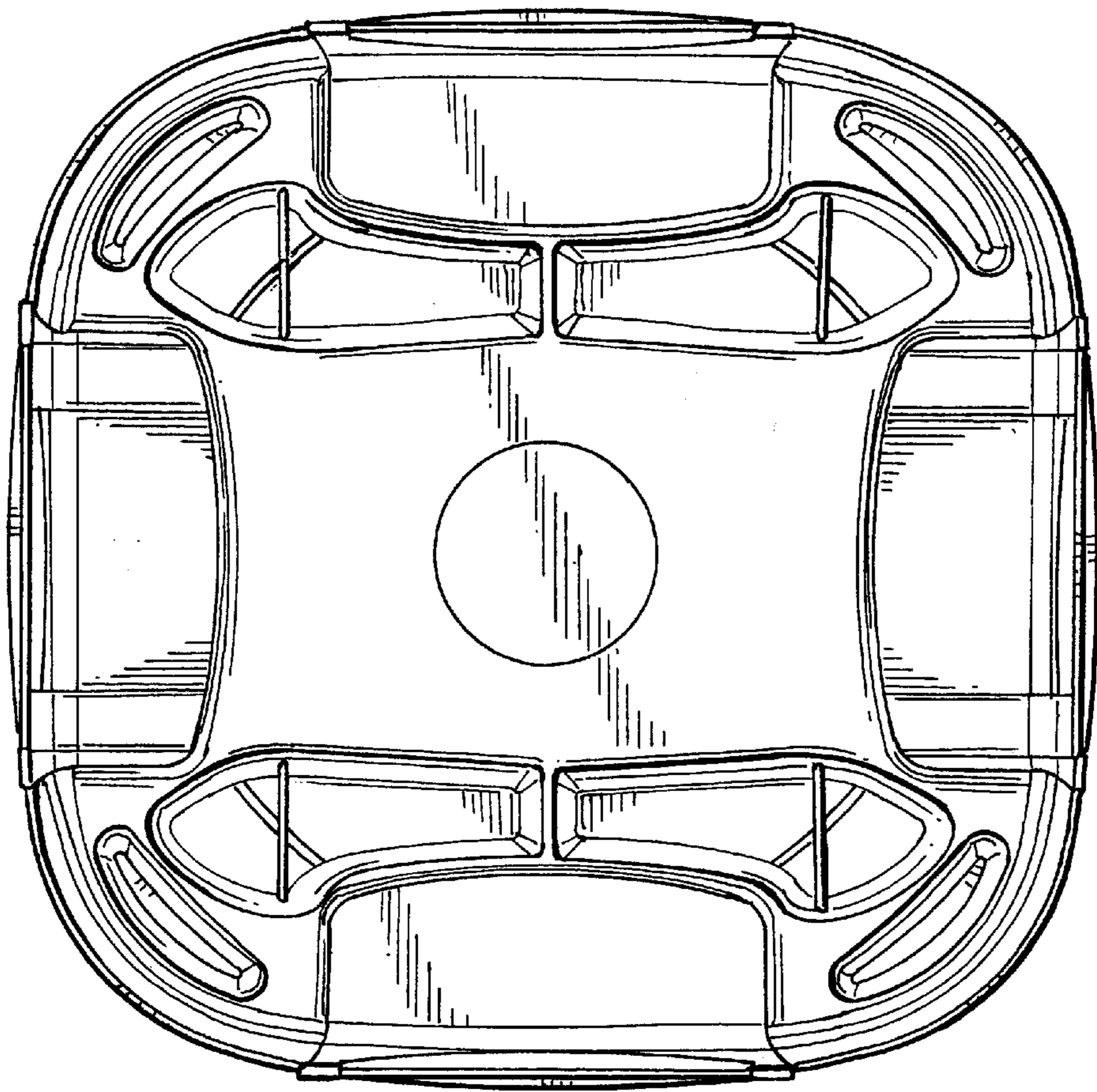


FIG. 6

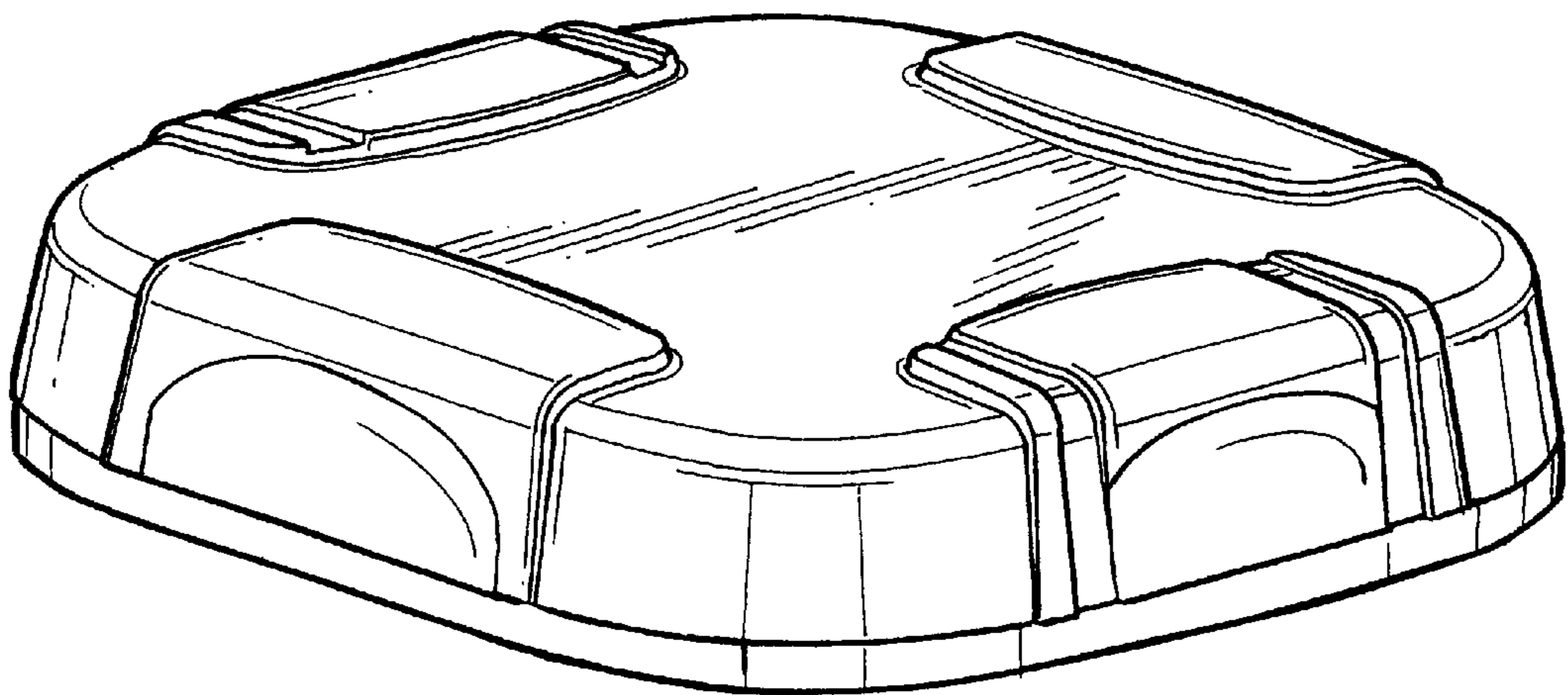


FIG. 7

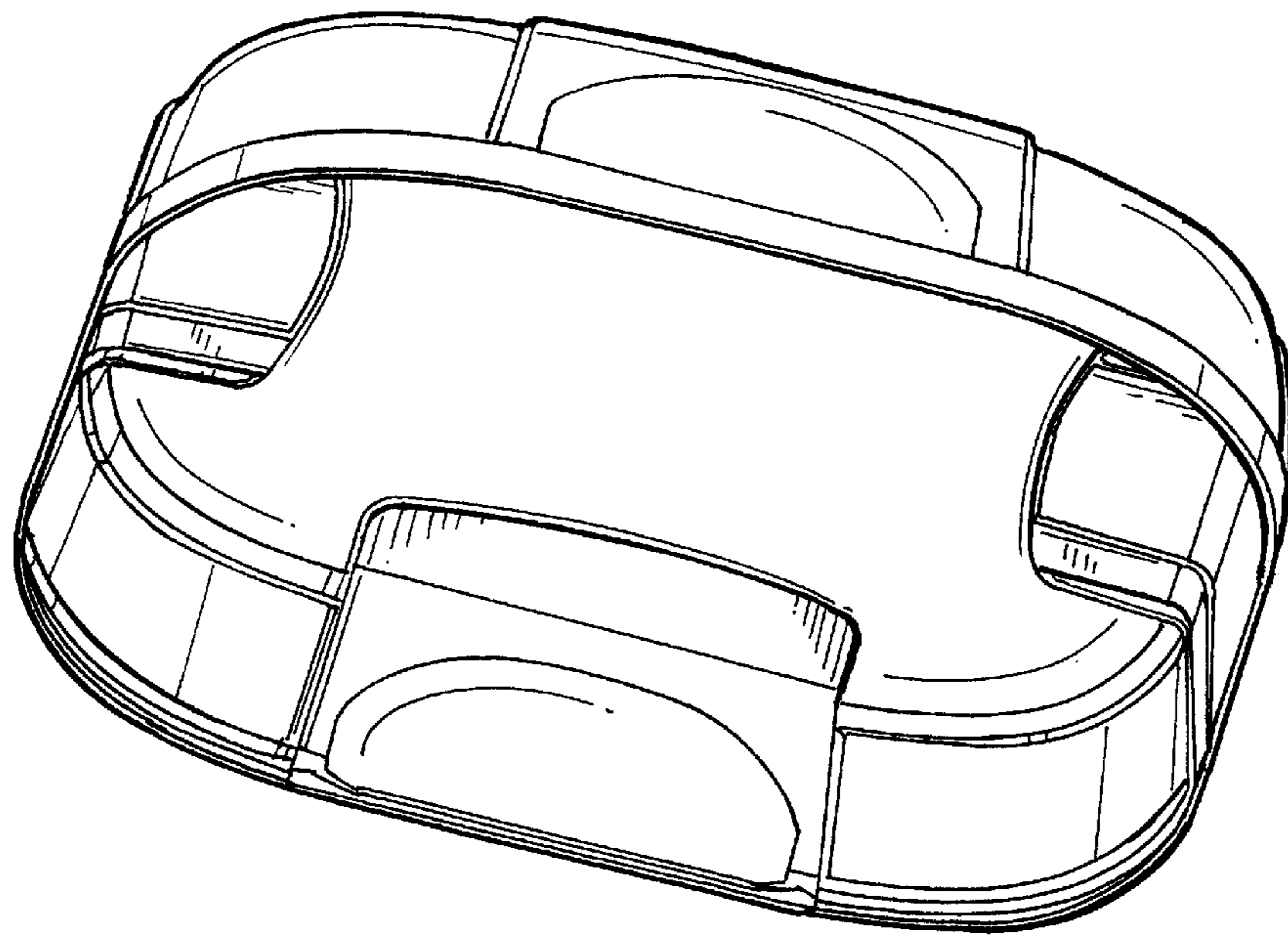


FIG. 8

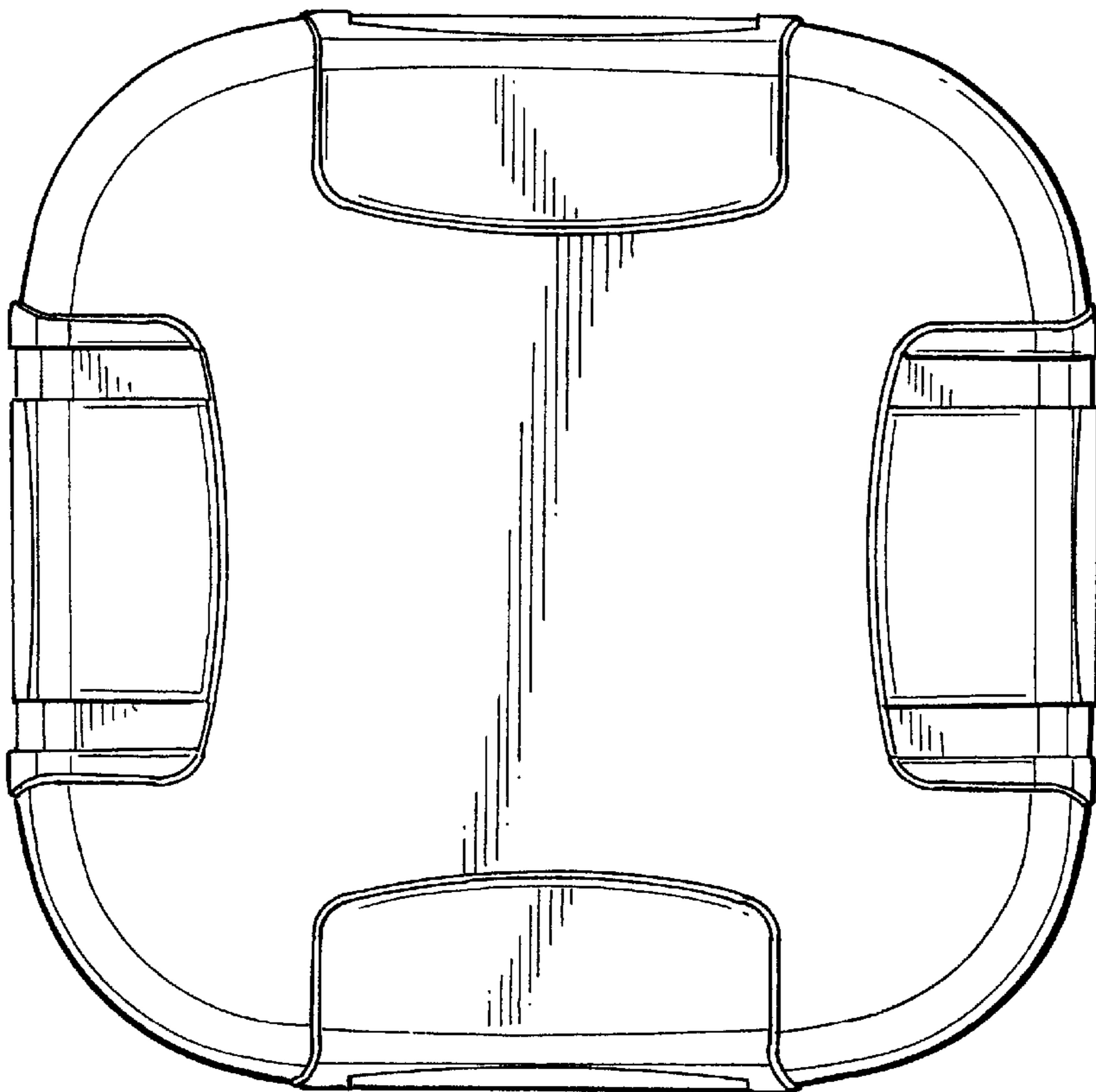


FIG. 9

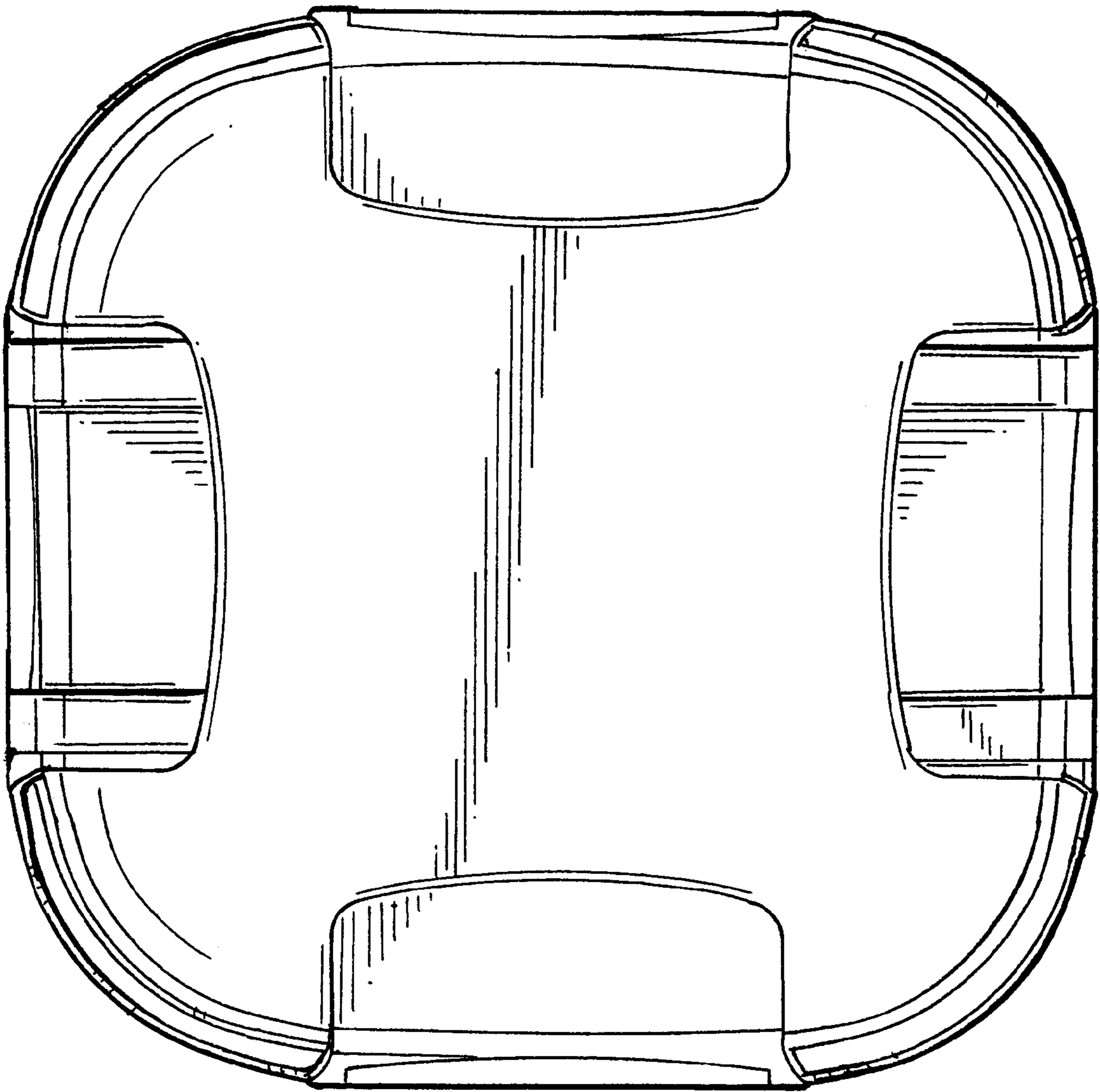


FIG. 10