



US00D467074S

(12) **United States Design Patent**
Hillman

(10) **Patent No.:** **US D467,074 S**

(45) **Date of Patent:** **** Dec. 17, 2002**

(54) **CASE FOR CAMERAS AND ACCESSORY ITEMS**

(75) **Inventor:** **Jack L. Hillman**, Colorado Springs, CO (US)

(73) **Assignee:** **Case Logic, Inc.**, Longmont, CO (US)

(**) **Term:** **14 Years**

(21) **Appl. No.:** **29/142,734**

(22) **Filed:** **May 30, 2001**

(51) **LOC (7) Cl.** **03-01**

(52) **U.S. Cl.** **D3/267; D3/263**

(58) **Field of Search** D3/208, 215, 219, D3/225, 226, 243, 263, 268, 273, 276, 283, 285, 287, 289, 290, 301; D7/607; 206/316.1, 316.2; 224/583, 612, 908

(56) **References Cited**

U.S. PATENT DOCUMENTS

2,691,401 A	*	10/1954	Kontoff	
2,827,096 A	*	3/1958	Hinson	
2,960,137 A	*	11/1960	Lipsitz	
D249,824 S	*	10/1978	Koszegi	D3/268
D257,906 S	*	1/1981	Weinreb	D3/268
D273,533 S	*	4/1984	Weinreb	D3/268
D273,534 S	*	4/1984	Weinreb	D3/268
D273,535 S	*	4/1984	Weinreb	D3/268
D276,953 S	*	1/1985	Weinreb	D3/268
D281,120 S	*	10/1985	Rabinowitz	D3/290
4,620,579 A	*	11/1986	Lowe et al.	206/316.2
D312,530 S	*	12/1990	Gallen et al.	D3/268
4,976,352 A	*	12/1990	Nordstrom	206/316.2
D318,948 S	*	8/1991	Nordstrom	D3/268
D325,128 S	*	4/1992	Cyr et al.	D3/287
5,201,867 A	*	4/1993	Morszeck	206/316.2
D340,574 S	*	10/1993	Weinreb	D3/268
D355,568 S	*	2/1995	Paulin et al.	D7/607

5,573,114 A	*	11/1996	Cyr	206/316.1
5,735,397 A	*	4/1998	Cyr	206/316.1
D454,428 S	*	3/2002	Hillman	D3/219
D455,547 S	*	4/2002	Hillman	D3/219

OTHER PUBLICATIONS

Case Logic Essential Equipment 2000, pp. 33, 36 and 37.

* cited by examiner

Primary Examiner—Celia Murphy

(74) *Attorney, Agent, or Firm*—Sheridan Ross P.C.

(57) **CLAIM**

The ornamental design for a case for cameras and accessory items, as shown and described.

DESCRIPTION

FIG. 1 is a perspective view of a case for cameras and accessory items, showing my new design. The broken lines showing interior dividers and pockets; straps, and handle throughout the views, illustrate the environment in which the design resides, and form no part of the claim.

FIG. 2 is a front elevation view of the invention illustrated in FIG. 1;

FIG. 3 is a rear elevation view of the invention illustrated in FIG. 1;

FIG. 4 is a right elevation view of the invention illustrated in FIG. 1;

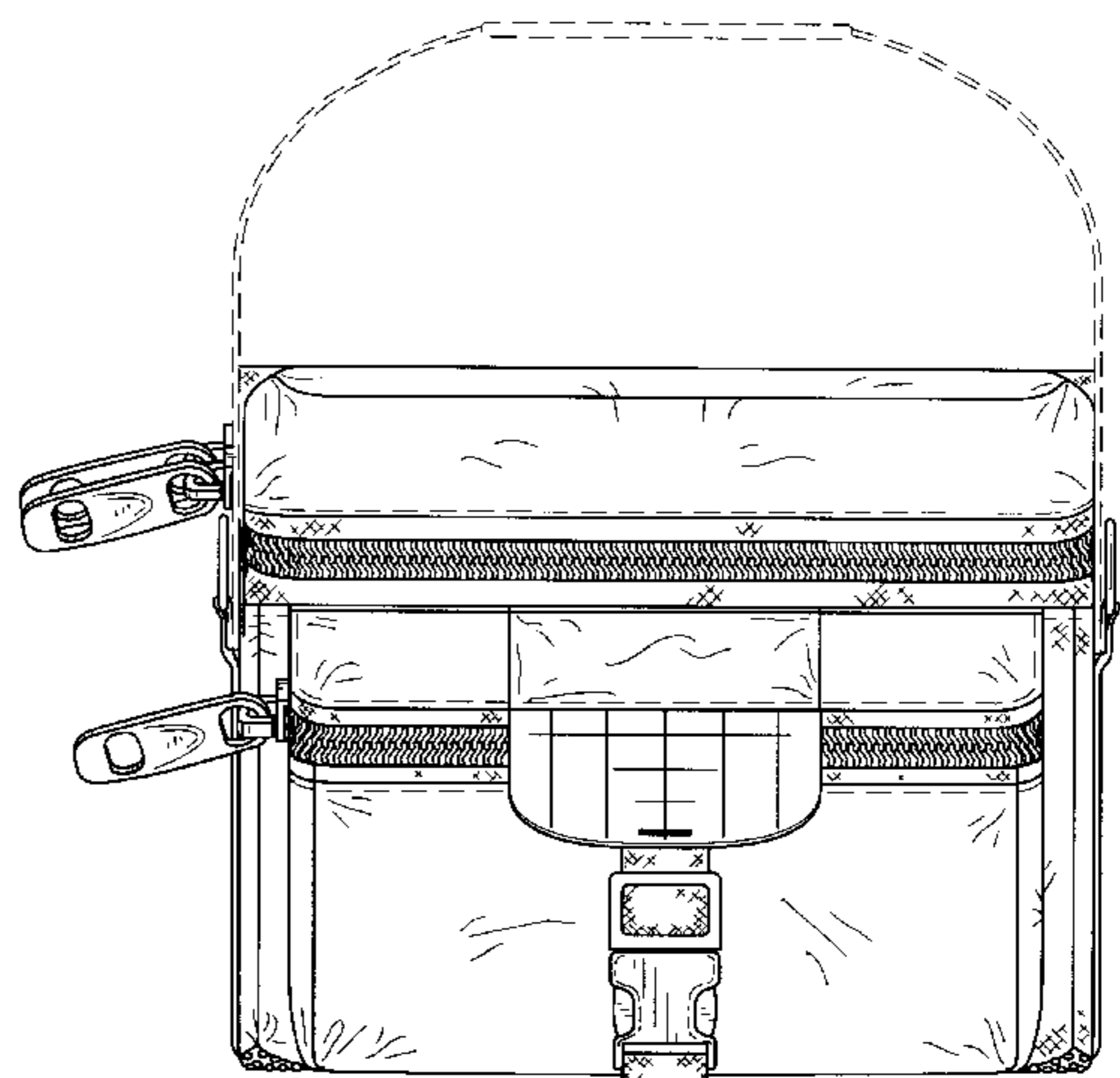
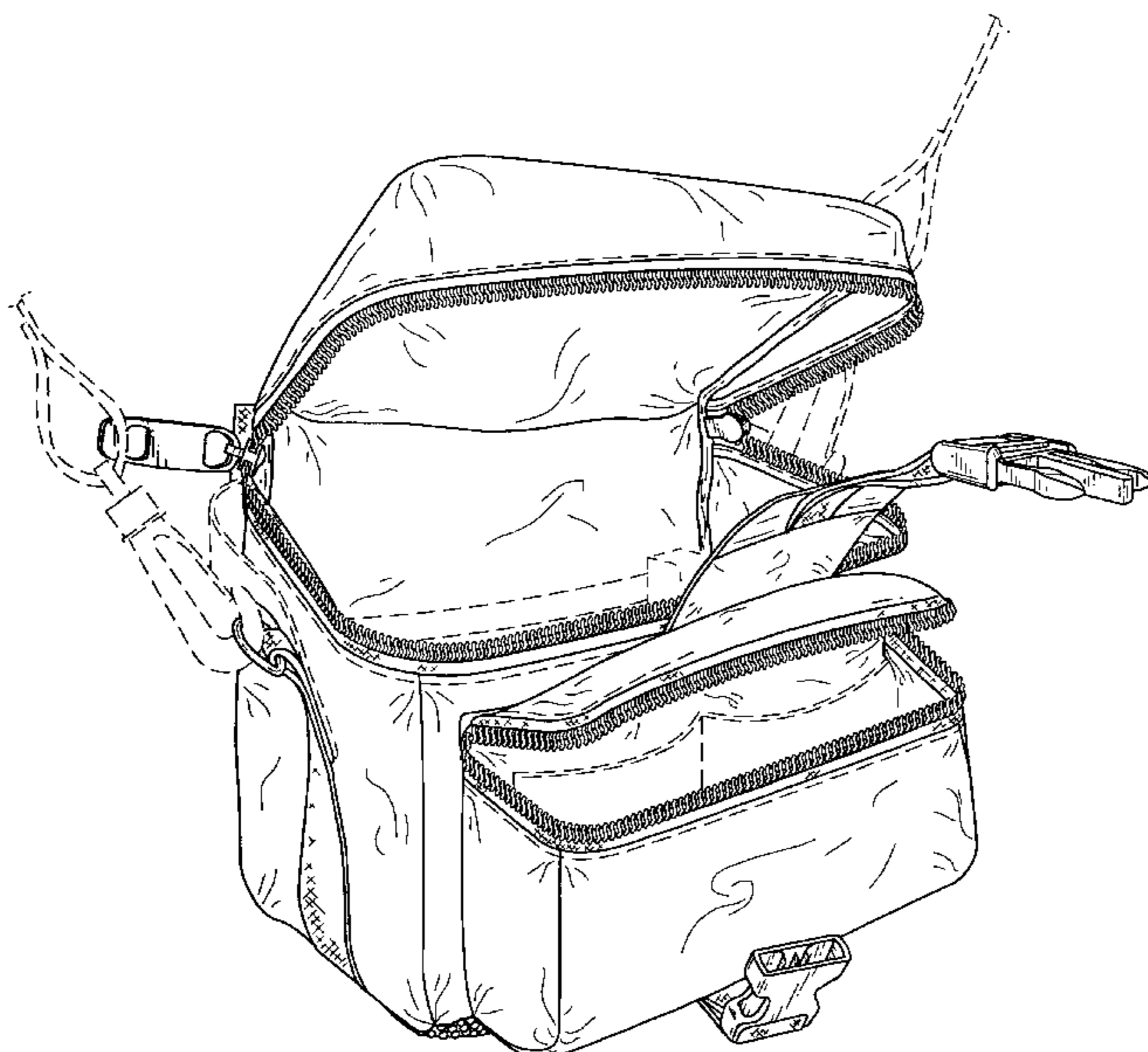
FIG. 5 is left elevation view of the invention illustrated in FIG. 1;

FIG. 6 is a top plan view of the invention illustrated in FIG. 1; and,

FIG. 7 is a bottom plan view of the invention illustrated in FIG. 1.

The broken lines shown on the rear cover in FIGS. 3 and 6; and the side strips in FIGS. 4, 5, and 7, are understood to represent stitching.

1 Claim, 4 Drawing Sheets



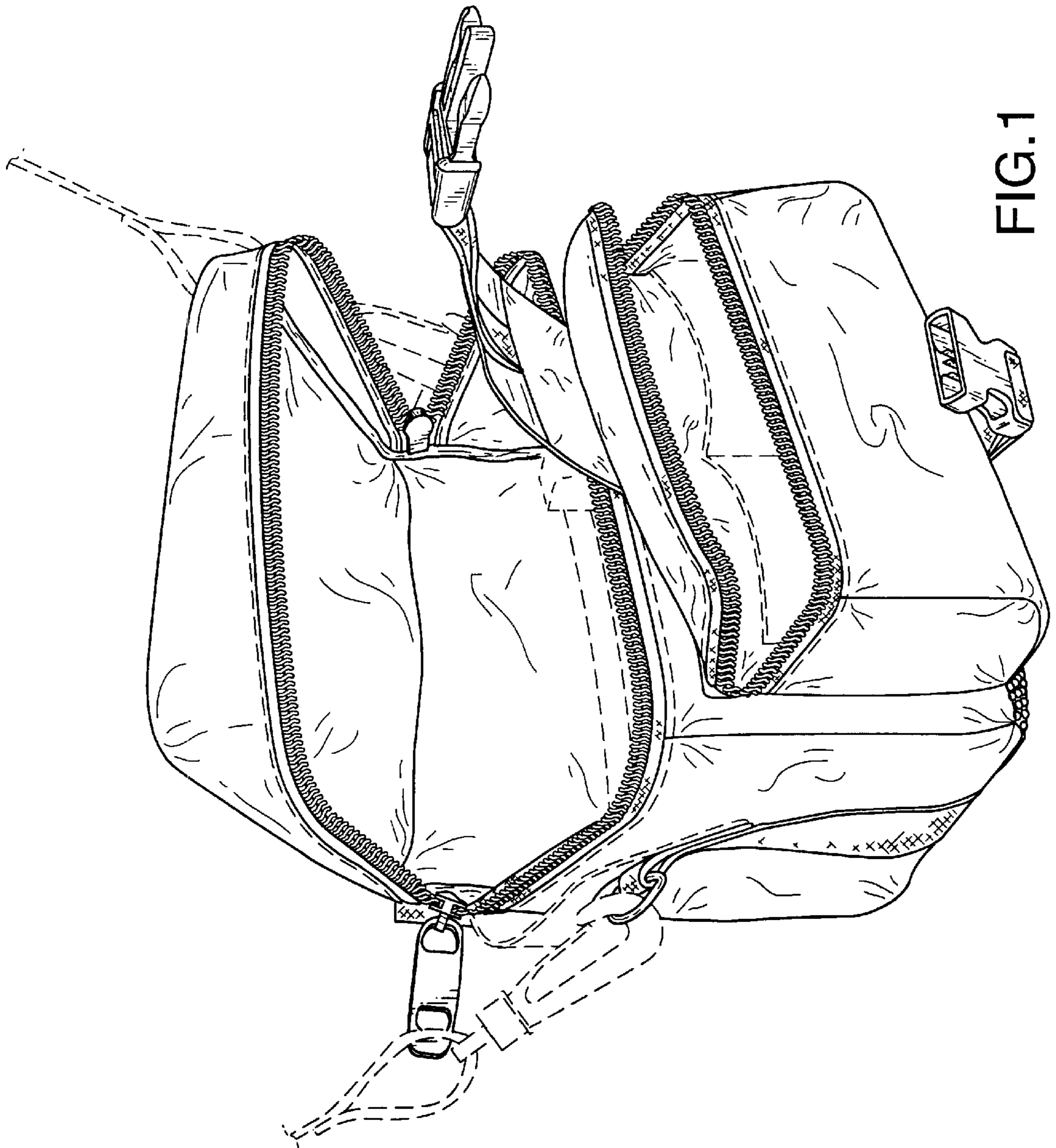


FIG.1

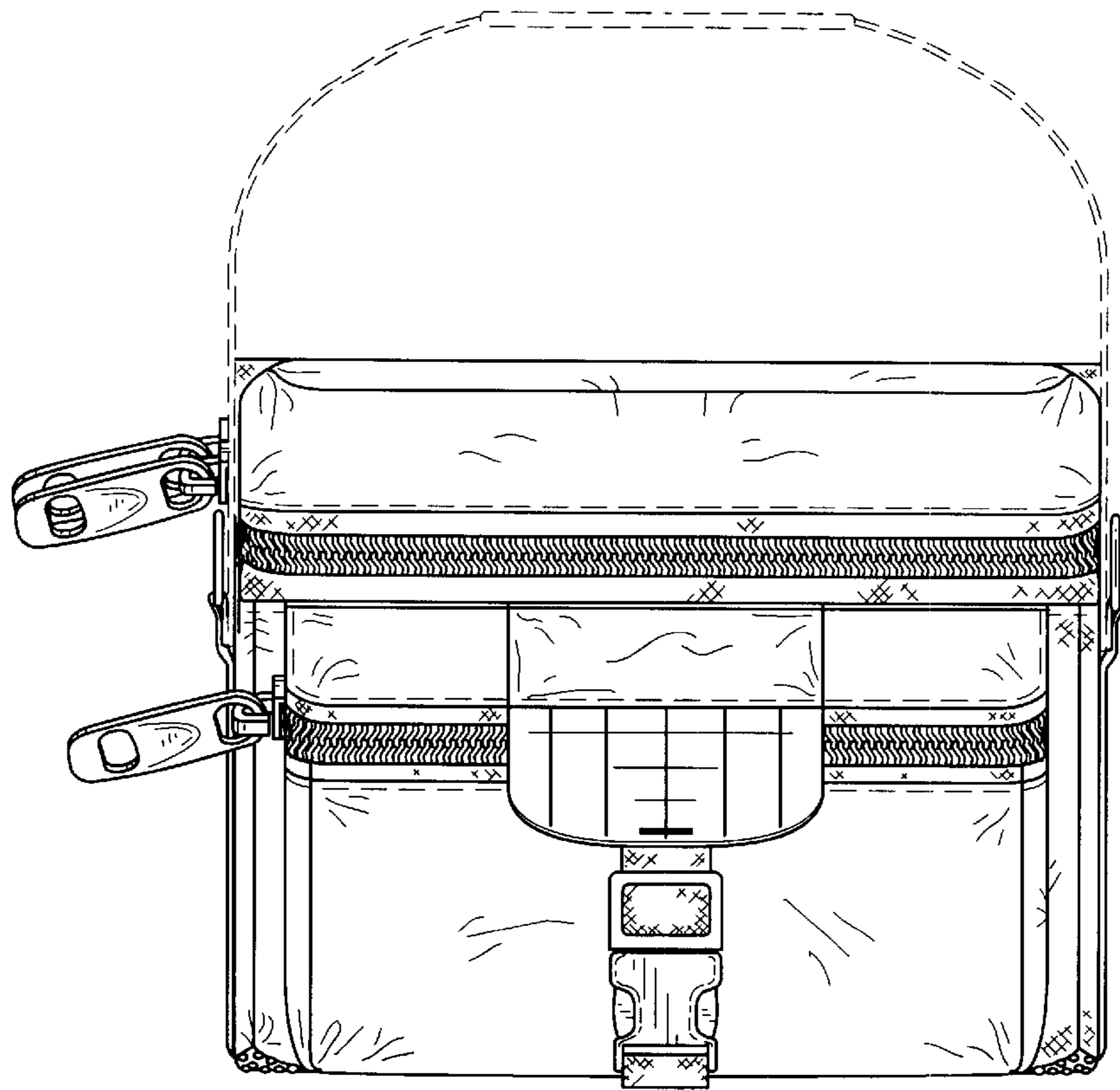


FIG. 2

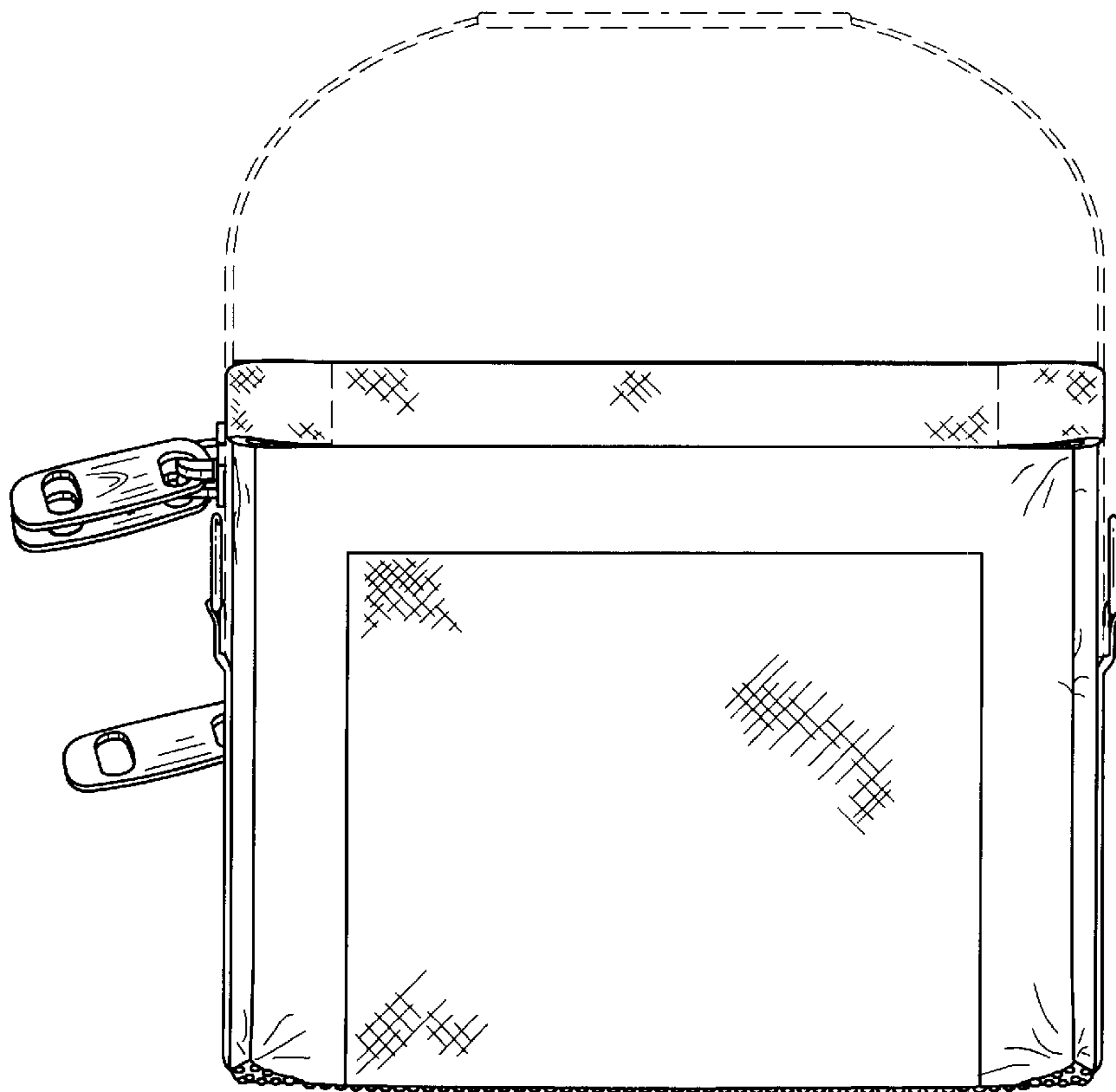


FIG. 3

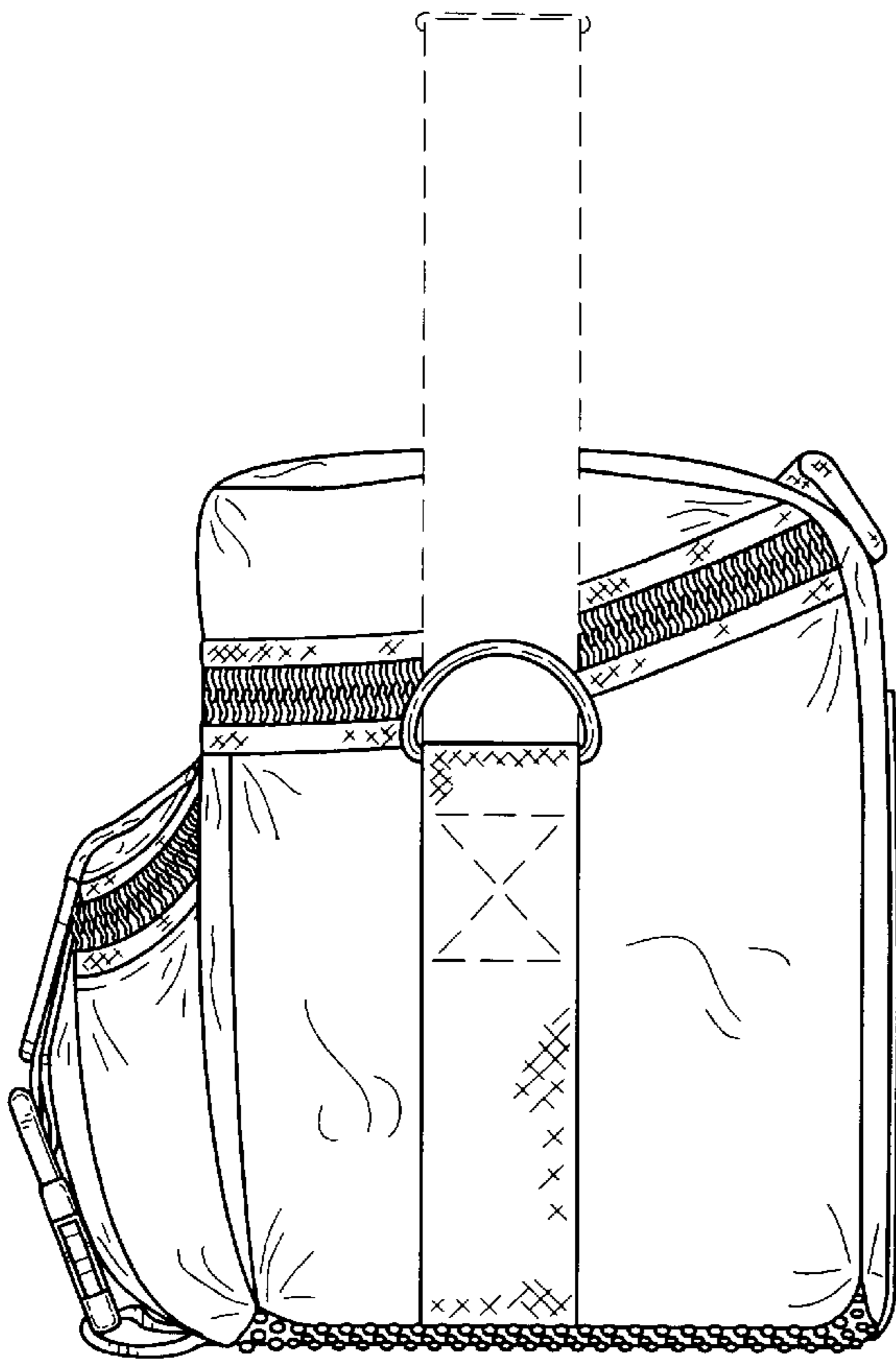


FIG. 4

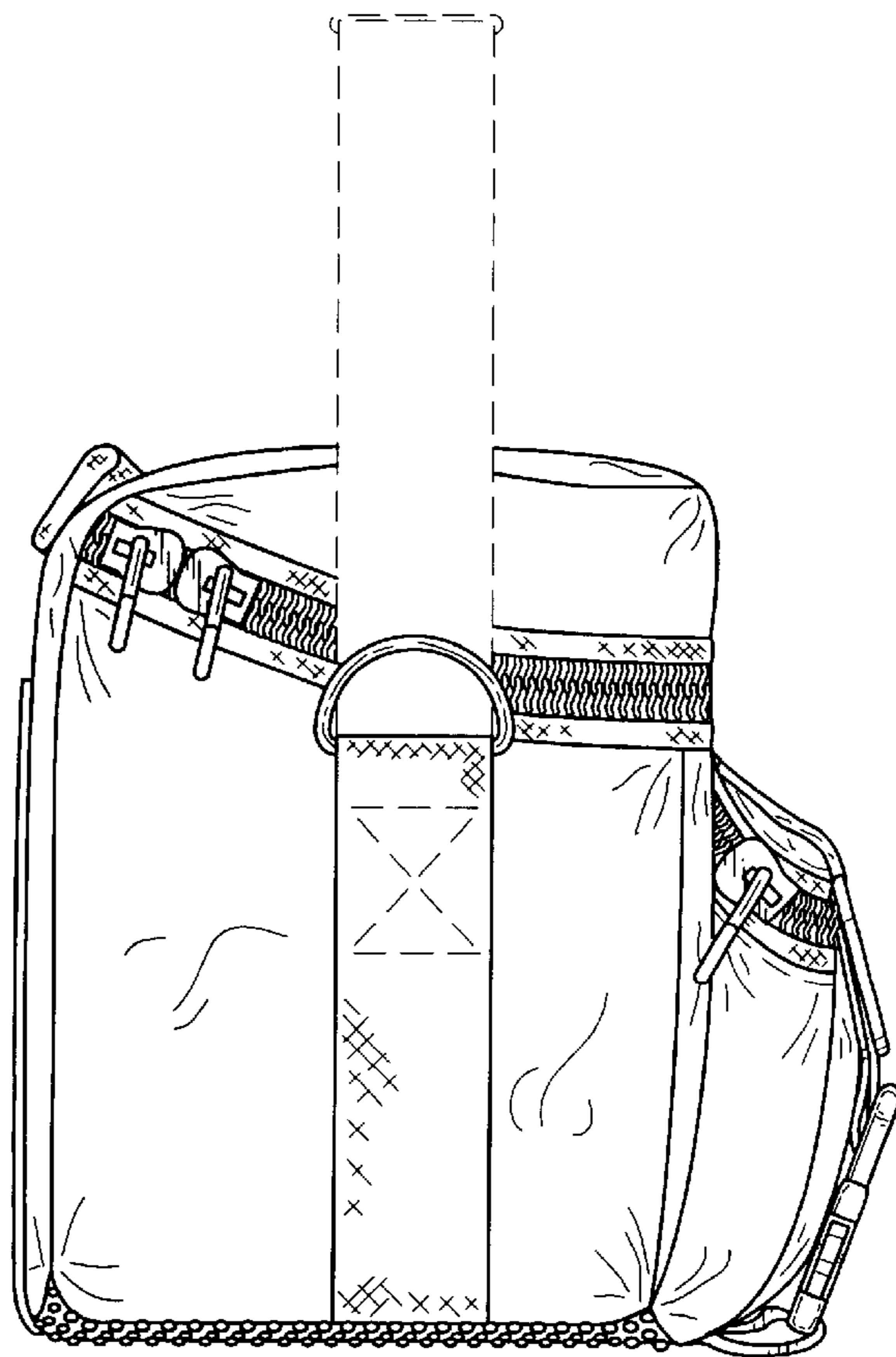


FIG. 5

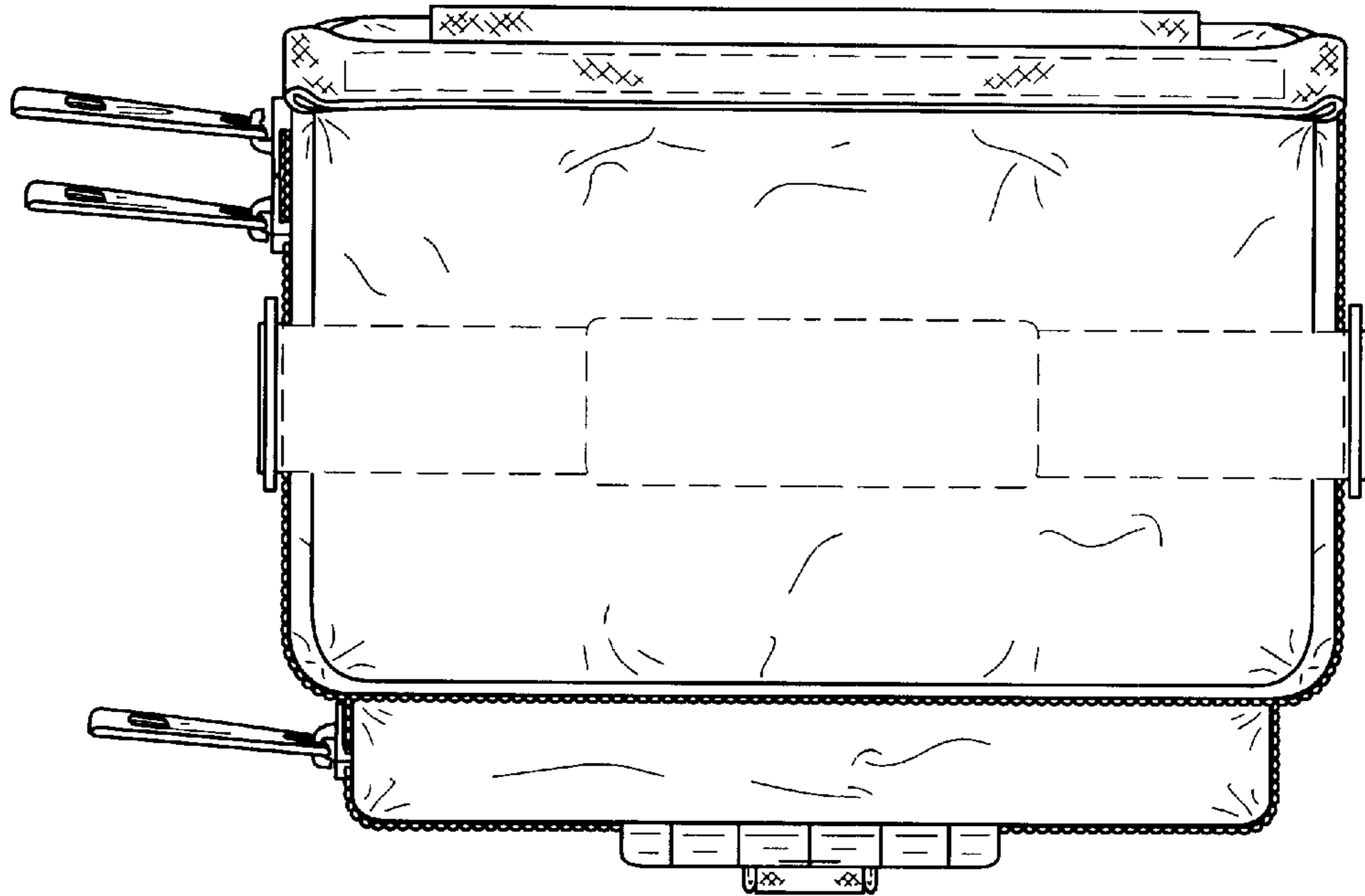


FIG. 6

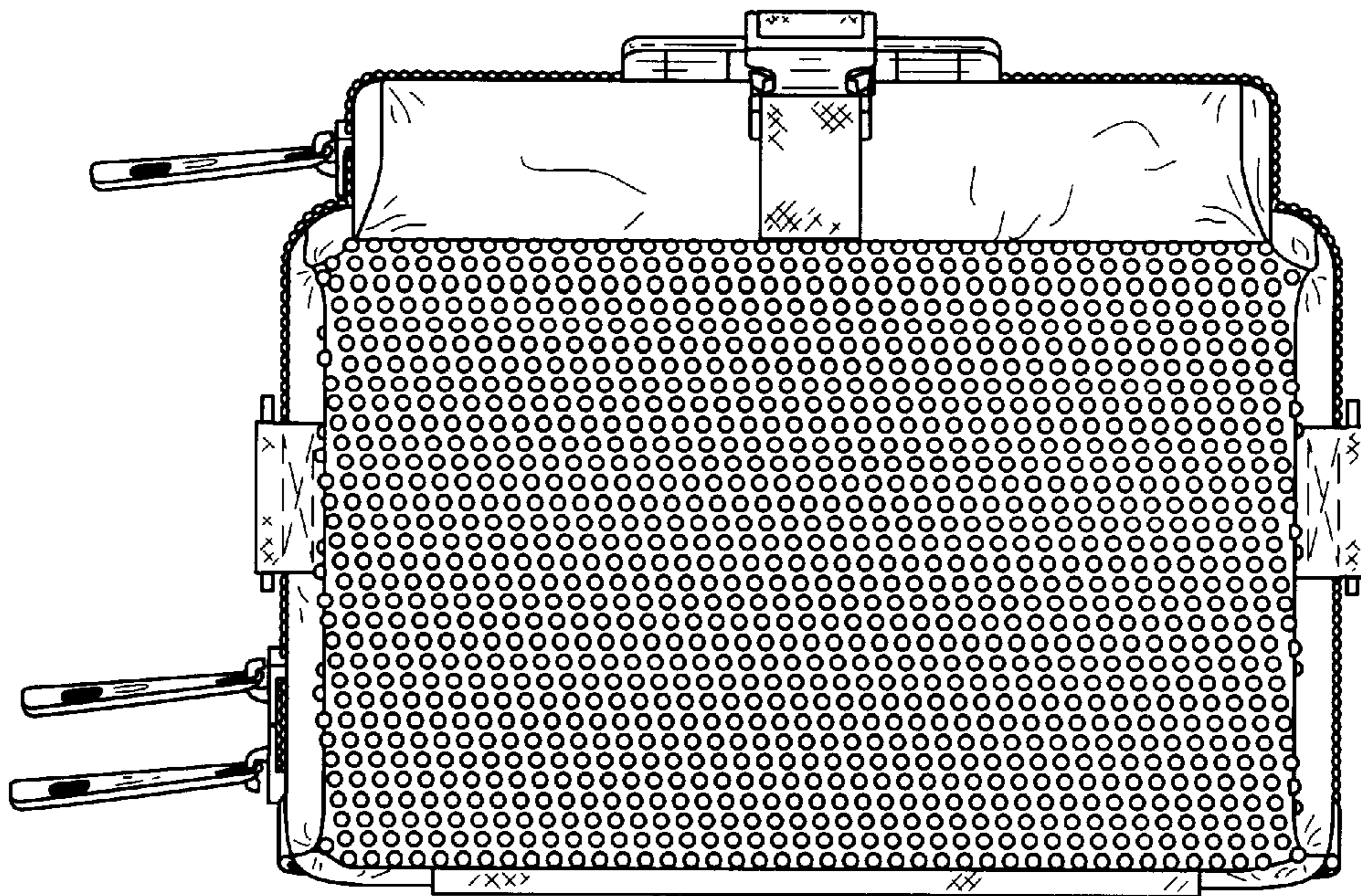


FIG. 7