



US00D467073S

(12) **United States Design Patent**
Hassett

(10) **Patent No.:** **US D467,073 S**

(45) **Date of Patent:** **** Dec. 17, 2002**

(54) **CAMERA BAG WITH FLIP-OPEN POCKET**

(75) Inventor: **Eric Hassett**, Golden, CO (US)
(73) Assignee: **Case Logic, Inc.**, Longmont, CO (US)
(**) Term: **14 Years**

(21) Appl. No.: **29/141,744**
(22) Filed: **May 10, 2001**

(51) **LOC (7) Cl.** **03-01**
(52) **U.S. Cl.** **D3/267; D3/263**
(58) **Field of Search** **D3/208, 215, 219,**
D3/225, 226, 243, 263, 268, 273, 276,
283, 285, 287, 289, 290, 301; D7/607;
206/316.1, 316.2; 224/583, 612, 908

(56) **References Cited**

U.S. PATENT DOCUMENTS

D249,824 S	*	10/1978	Koszegi	D3/268
D257,906 S	*	1/1981	Weinreb	D3/268
D258,702 S	*	3/1981	Weinreb	D3/268
4,286,697 A	*	9/1981	Baker	224/612
D269,227 S	*	6/1983	Stark	D3/287
D273,533 S	*	4/1984	Weinreb	D3/268
D273,534 S	*	4/1984	Weinreb	D3/268
D273,535 S	*	4/1984	Weinreb	D3/268
D276,953 S	*	1/1985	Weinreb	D3/268
D281,120 S	*	10/1985	Rabinowitz	D3/290
D312,530 S	*	12/1990	Gallen et al.	D3/268
D325,128 S	*	4/1992	Cyr et al.	D3/287
5,201,867 A	*	4/1993	Morszeck	206/316.2
D340,574 S	*	10/1993	Weinreb	D3/268
5,356,004 A	*	10/1994	Weinreb	206/316.2
D360,075 S	*	7/1995	Cross et al.	D3/276
D368,581 S	*	4/1996	Cincotta	D3/218
D425,699 S	*	5/2000	Lau	D3/226
D446,932 S	*	8/2001	Crandall et al.	D3/243
D454,428 S	*	3/2002	Hillman	D3/219
D455,256 S	*	4/2002	Tyler	D3/219
D455,547 S	*	4/2002	Hillman	D3/219

OTHER PUBLICATIONS

Case Logic Catalog—Photo/Video Section.
Case Logic Catalog—Spring 2000—Photo/Video Section.
Lowpro2000 Catalog.
Ambico Video Luggage & Photo Cases Catalog, pp. 8–10.
Tamrac Catalog.

* cited by examiner

Primary Examiner—Celia Murphy
(74) *Attorney, Agent, or Firm*—Sheridan Ross P.C.

(57) **CLAIM**

The ornamental design for a camera bag with flip-open pocket, as shown and described.

DESCRIPTION

FIG. 1 is a perspective view of a camera bag with flip-open pocket, showing my new design. The broken lines showing interior dividers and pockets; straps, and handle throughout the views, illustrate the environment in which the design resides, and form no part of the claim.

FIG. 2 is a front elevation view of the invention illustrated in FIG. 1 shown in a closed position;

FIG. 3 is a rear elevation view of the invention illustrated in FIG. 2;

FIG. 4 is a right elevation view of the invention illustrated in FIG. 2;

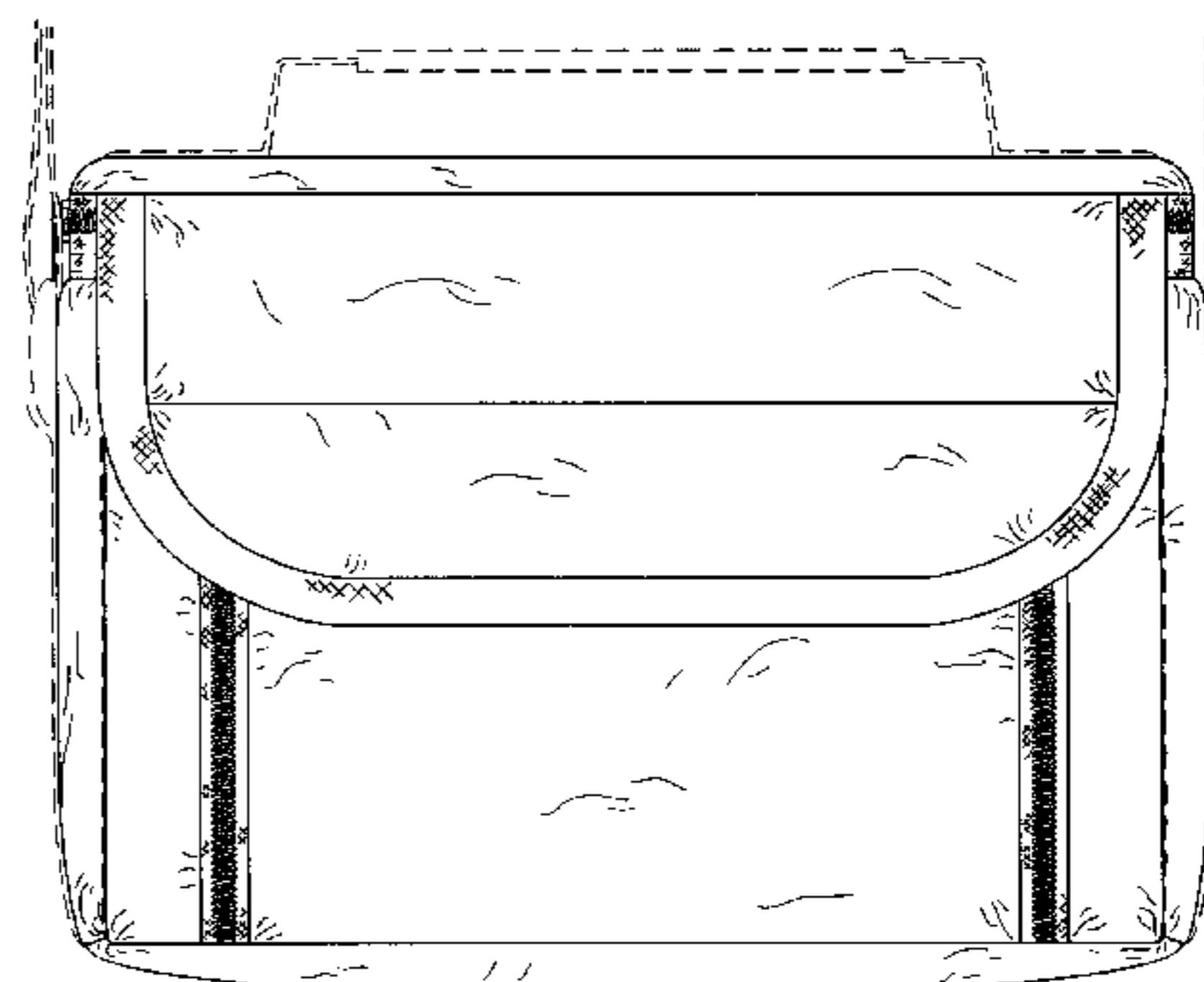
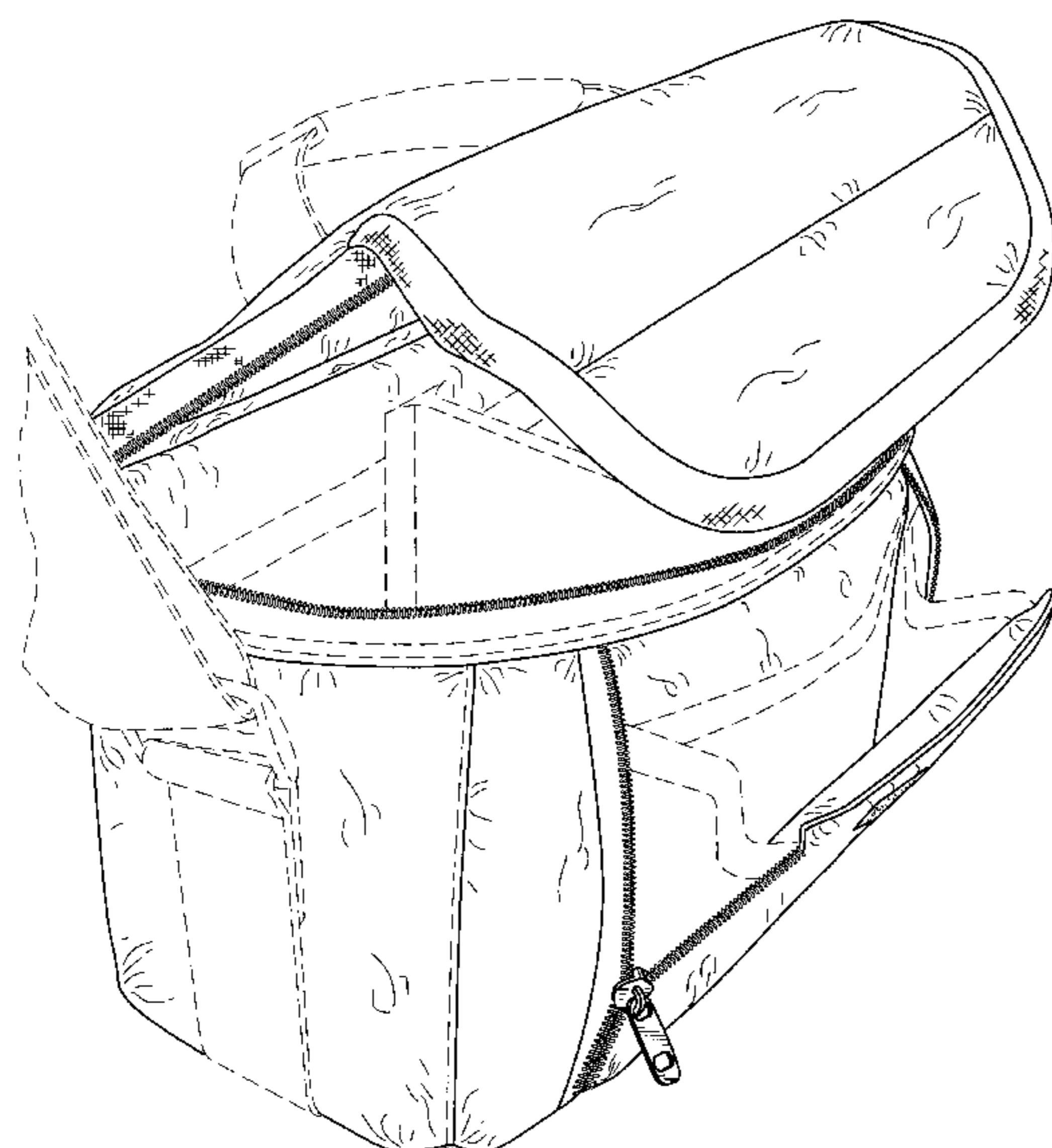
FIG. 5 is a left elevation view of the invention illustrated in FIG. 2;

FIG. 6 is a top plan view of the invention illustrated in FIG. 2; and,

FIG. 7 is a bottom plan view of the invention illustrated in FIG. 2.

The broken lines shown on the surface of the bag, along the edges, sides and top opening, throughout the views, are understood to represent stitching.

1 Claim, 4 Drawing Sheets



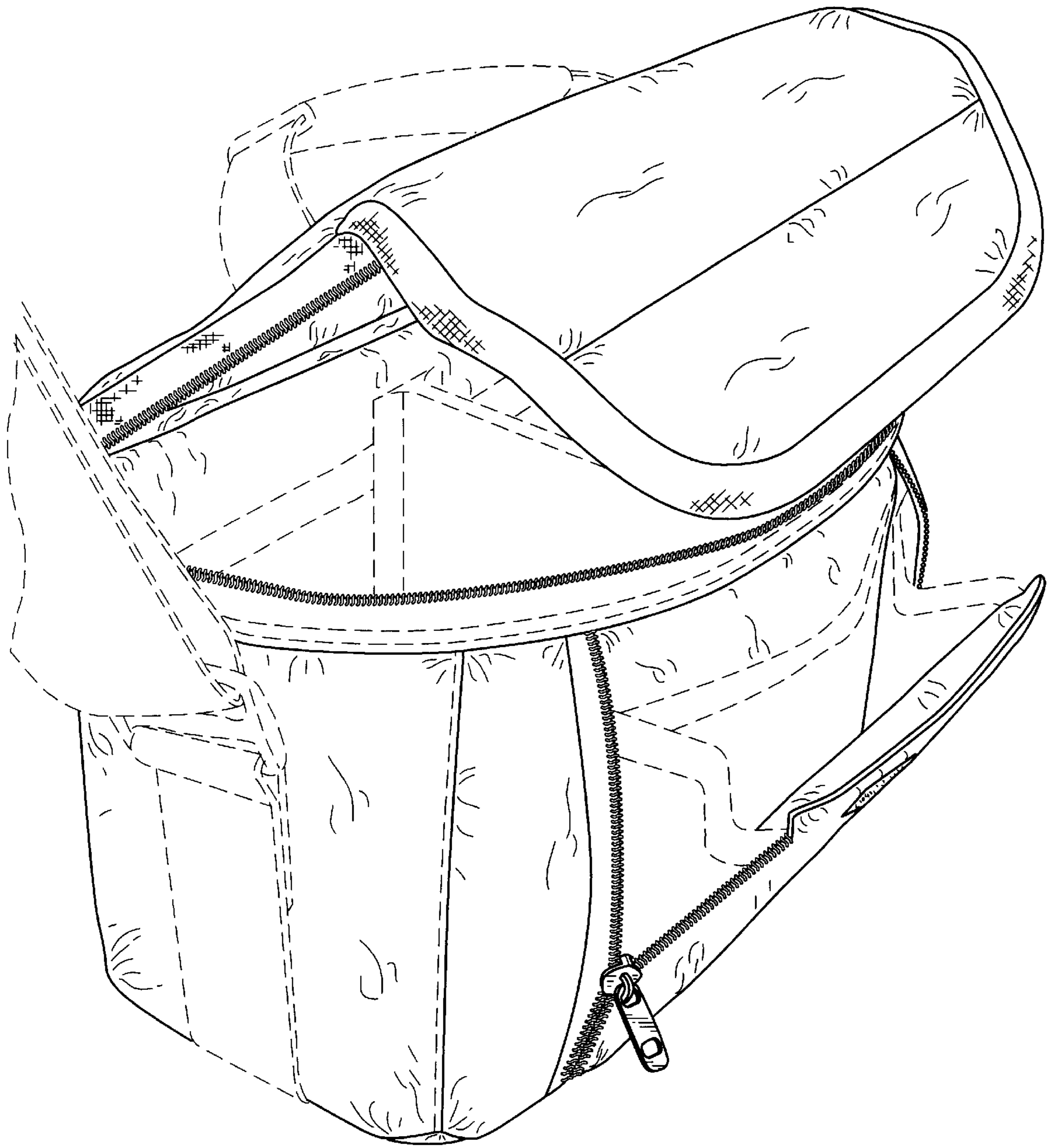


FIG.1

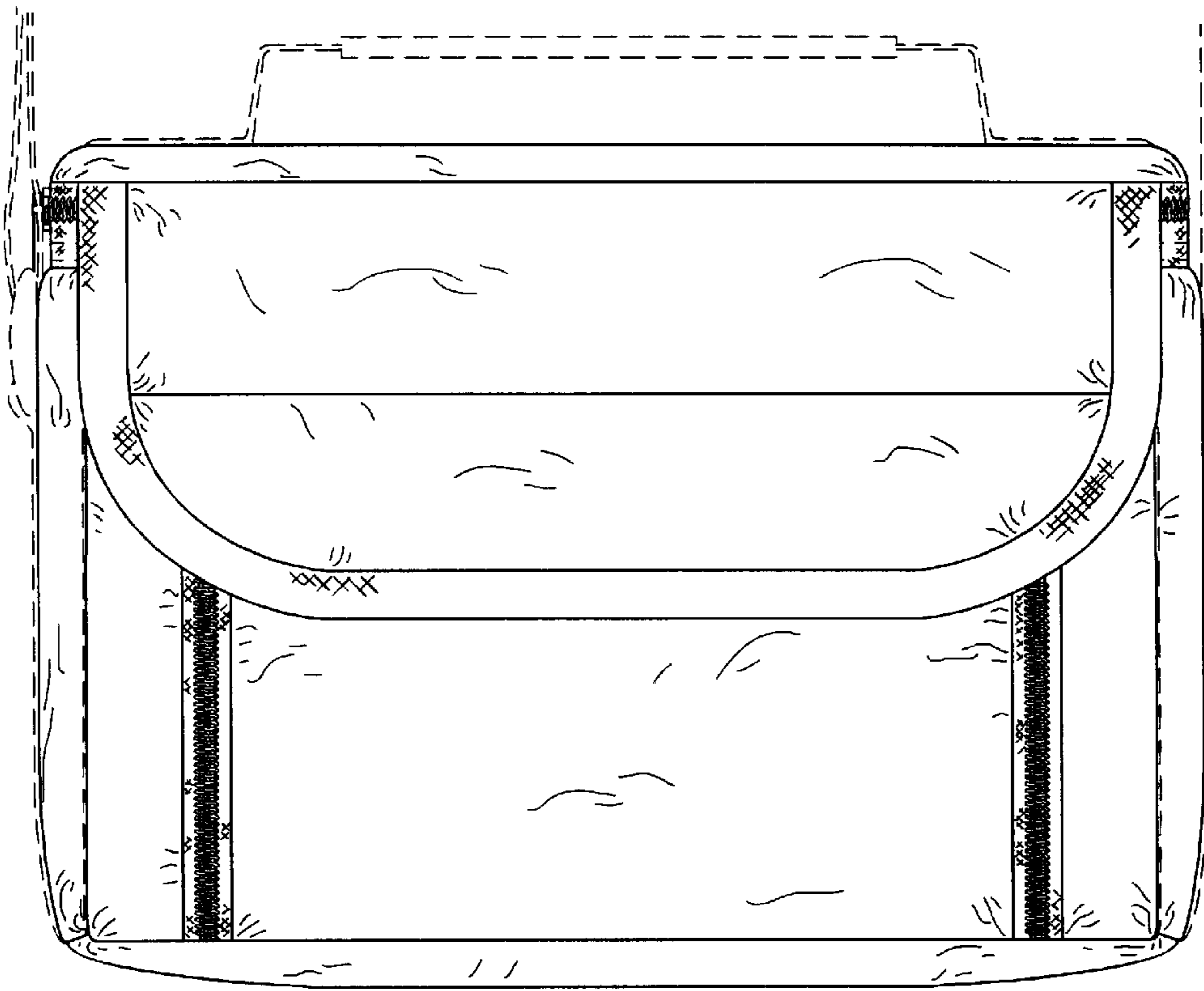


FIG. 2

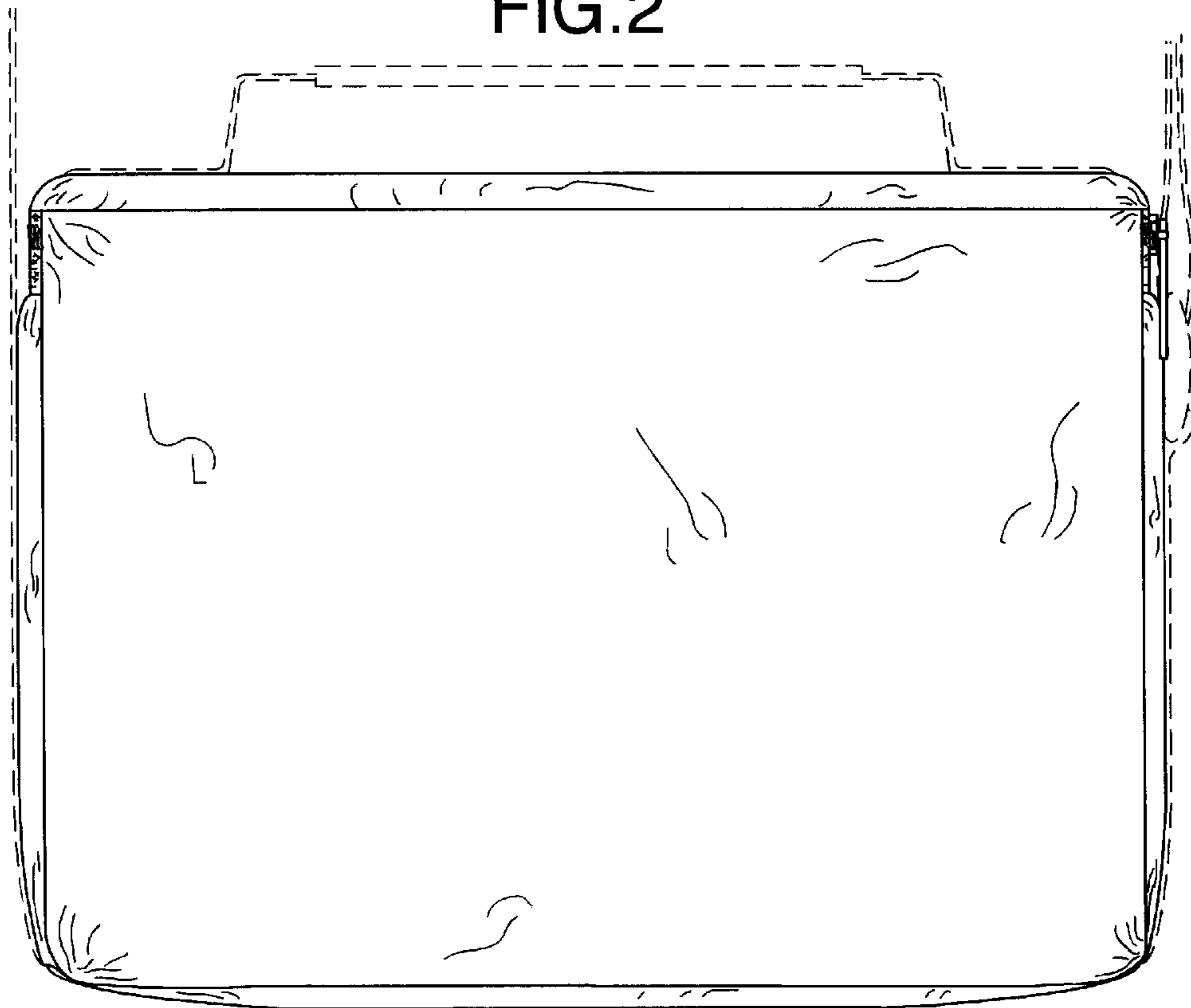


FIG. 3

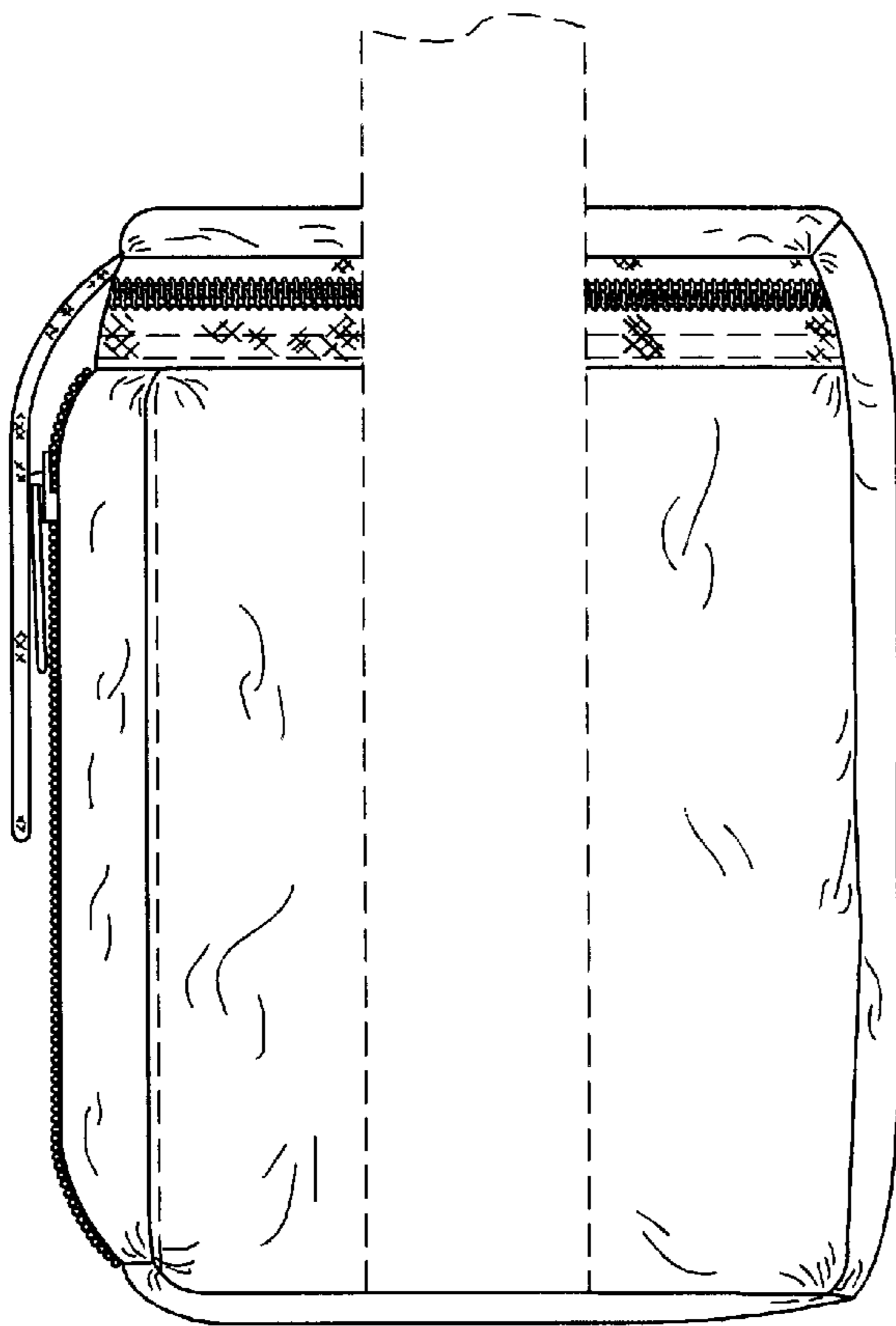


FIG. 4

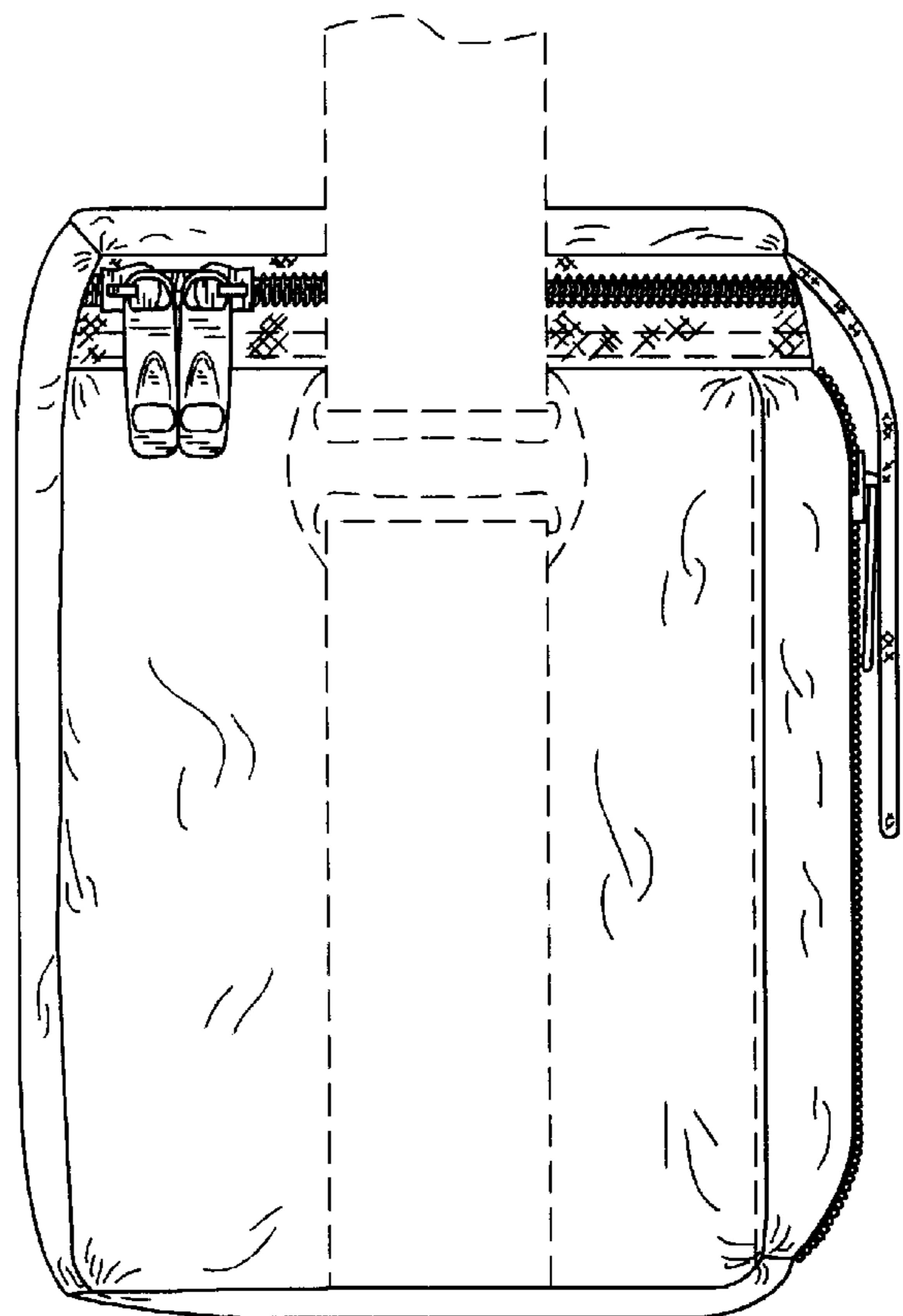


FIG. 5

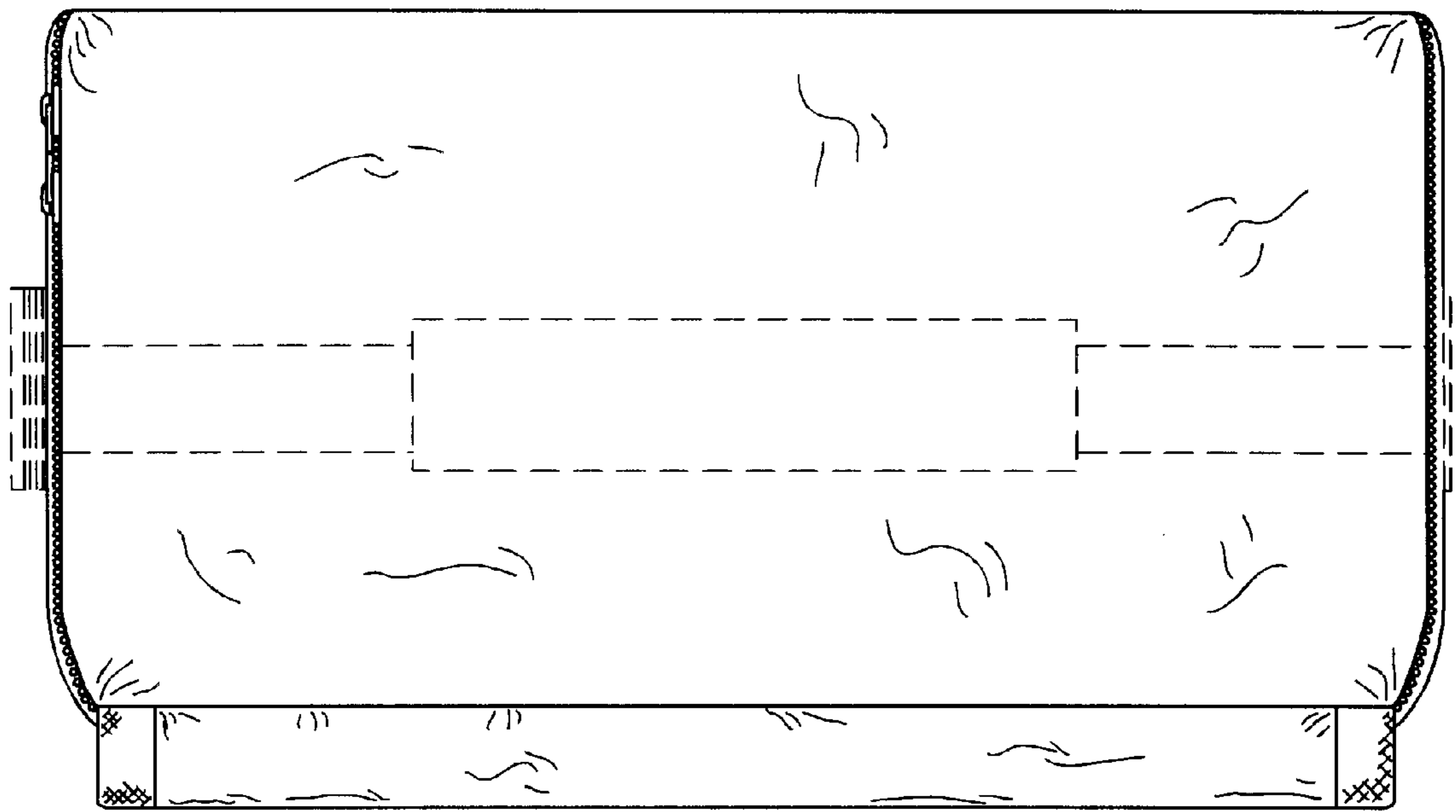


FIG. 6

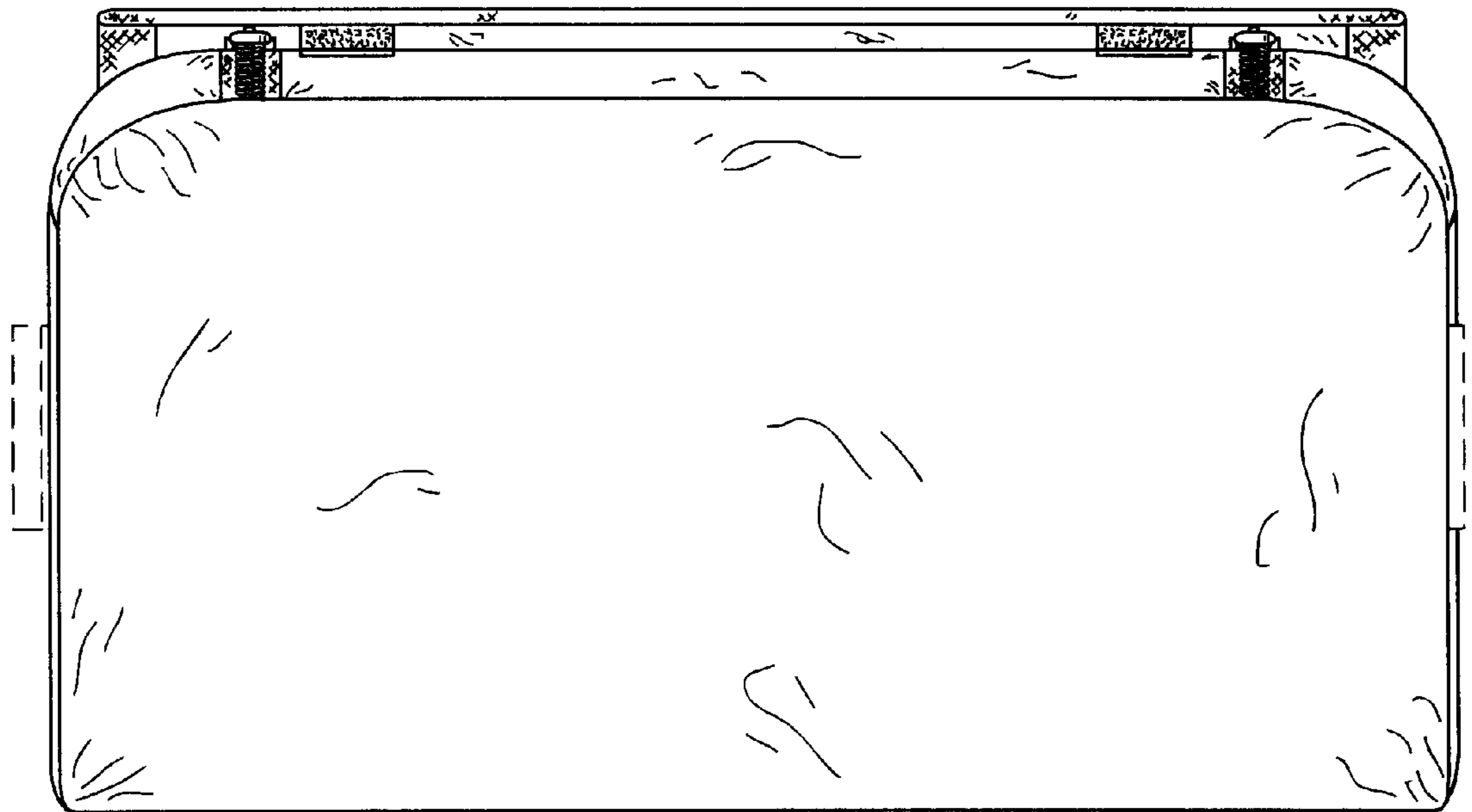


FIG. 7