



US00D467070S

(12) **United States Design Patent** (10) **Patent No.:** **US D467,070 S**  
**Snider et al.** (45) **Date of Patent:** **\*\* Dec. 17, 2002**

(54) **SCREWDRIVER STORAGE POUCH**

FOREIGN PATENT DOCUMENTS

(75) Inventors: **Gregory S. Snider**, Bel Air, MD (US);  
**Matthew J. Holland**, Baltimore, MD (US)

CH 464 455 12/1968  
DE 78 34 479 4/1979  
DE G 81 31 659.3 3/1982  
DE 32 26 401 A1 1/1984  
DE G 89 13 347.1 2/1990  
WO WO 88/03461 5/1988

(73) Assignee: **Black & Decker Inc.**, Newark, DE (US)

\* cited by examiner

(\*\*) Term: **14 Years**

*Primary Examiner*—Louis S. Zarfes  
*Assistant Examiner*—Catherine R. Oliver  
(74) *Attorney, Agent, or Firm*—Harness, Dickey & Pierce, P.L.C.

(21) Appl. No.: **29/126,084**

(22) Filed: **Jul. 7, 2000**

(51) **LOC (7) Cl.** ..... **03-01**

(57) **CLAIM**

(52) **U.S. Cl.** ..... **D3/228**

The ornamental design for a screwdriver storage pouch, as shown and described.

(58) **Field of Search** ..... D3/228, 215, 224, D3/221, 303; 224/904, 901, 240, 245

**DESCRIPTION**

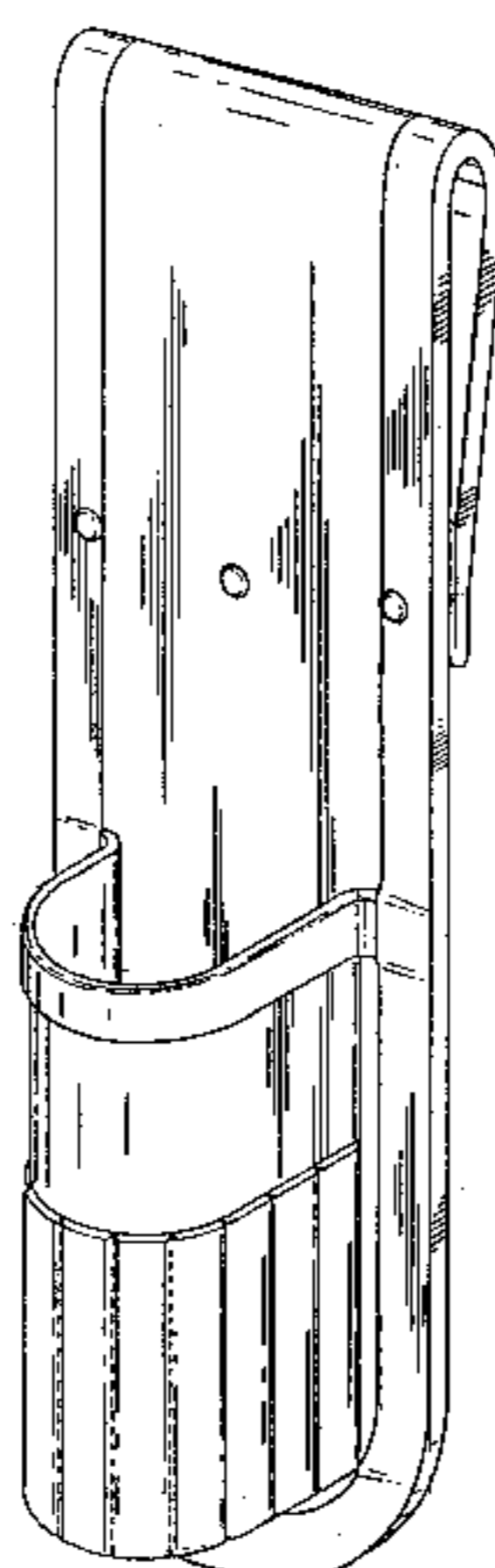
(56) **References Cited**

U.S. PATENT DOCUMENTS

- 1,088,406 A 2/1914 Davis
- 2,397,200 A 3/1946 Perry
- 2,682,981 A 7/1954 Previdi
- 2,758,798 A 8/1956 Schmidt
- 2,785,409 A 3/1957 Lackey
- 2,850,152 A 9/1958 Marrufo
- 2,859,516 A 11/1958 McQueary
- 2,983,412 A 5/1961 Ferguson
- D215,516 S 10/1969 Knigge
- 3,533,540 A 10/1970 Carinci
- 3,637,120 A 1/1972 Clay
- 4,307,825 A 12/1981 Pattermann
- 4,779,655 A 10/1988 Olson
- D313,694 S \* 1/1991 Mawhinney et al. .... D3/303
- D332,351 S \* 1/1993 Smith ..... D3/228
- D333,040 S 2/1993 Dancyger
- D338,748 S 8/1993 Doerksen
- D349,603 S 8/1994 Doerksen
- D389,303 S 1/1998 Shafer
- D415,891 S 11/1999 Renna
- D420,216 S \* 2/2000 Birbeck, III ..... D3/215
- D433,229 S \* 11/2000 Harker et al. .... D3/228

FIG. 1 is a front perspective view of a screwdriver storage pouch;  
FIG. 2 is a front view thereof;  
FIG. 3 is a side view thereof;  
FIG. 4 is a rear view thereof;  
FIG. 5 is a top view thereof;  
FIG. 6 is a bottom view thereof;  
FIG. 7 is a front perspective view of a second embodiment of a screwdriver storage pouch (wherein the rivets are shown as shiny);  
FIG. 8 is a front view thereof;  
FIG. 9 is a side view thereof;  
FIG. 10 is a rear view thereof;  
FIG. 11 is a top view thereof;  
FIG. 12 is a bottom view thereof;  
FIG. 13 is a front perspective view of a third embodiment of a screwdriver storage pouch;  
FIG. 14 is a front view thereof;  
FIG. 15 is a side view thereof;  
FIG. 16 is a rear view thereof;  
FIG. 17 is a top view thereof; and,  
FIG. 18 is a bottom view thereof.

**1 Claim, 6 Drawing Sheets**



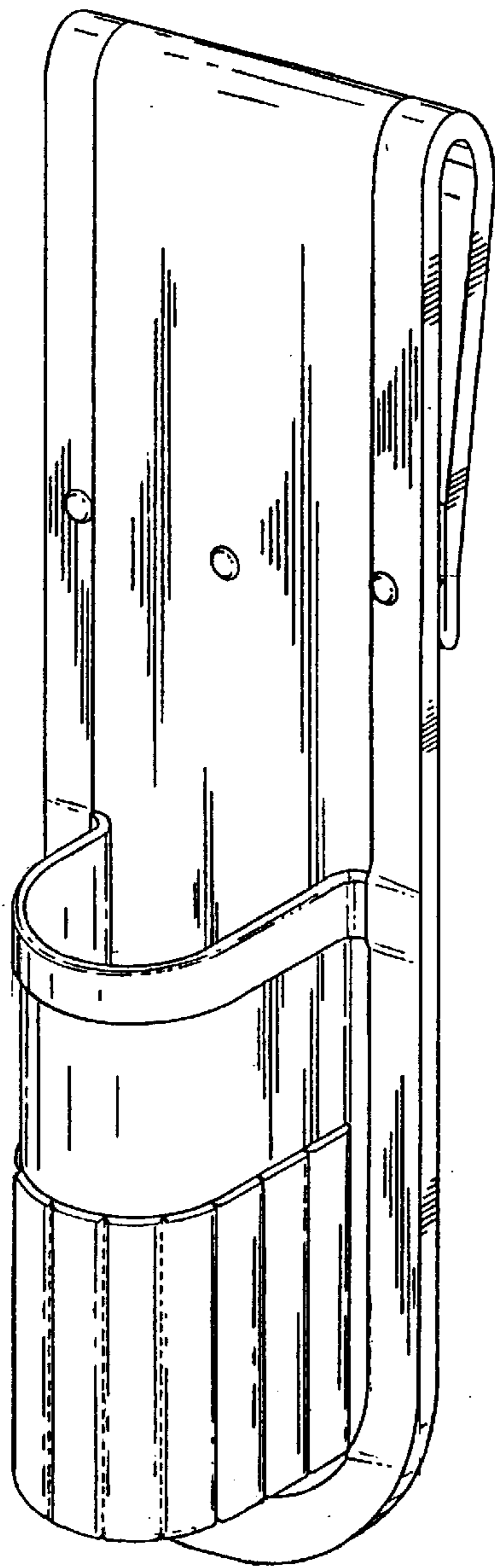


FIG. 1

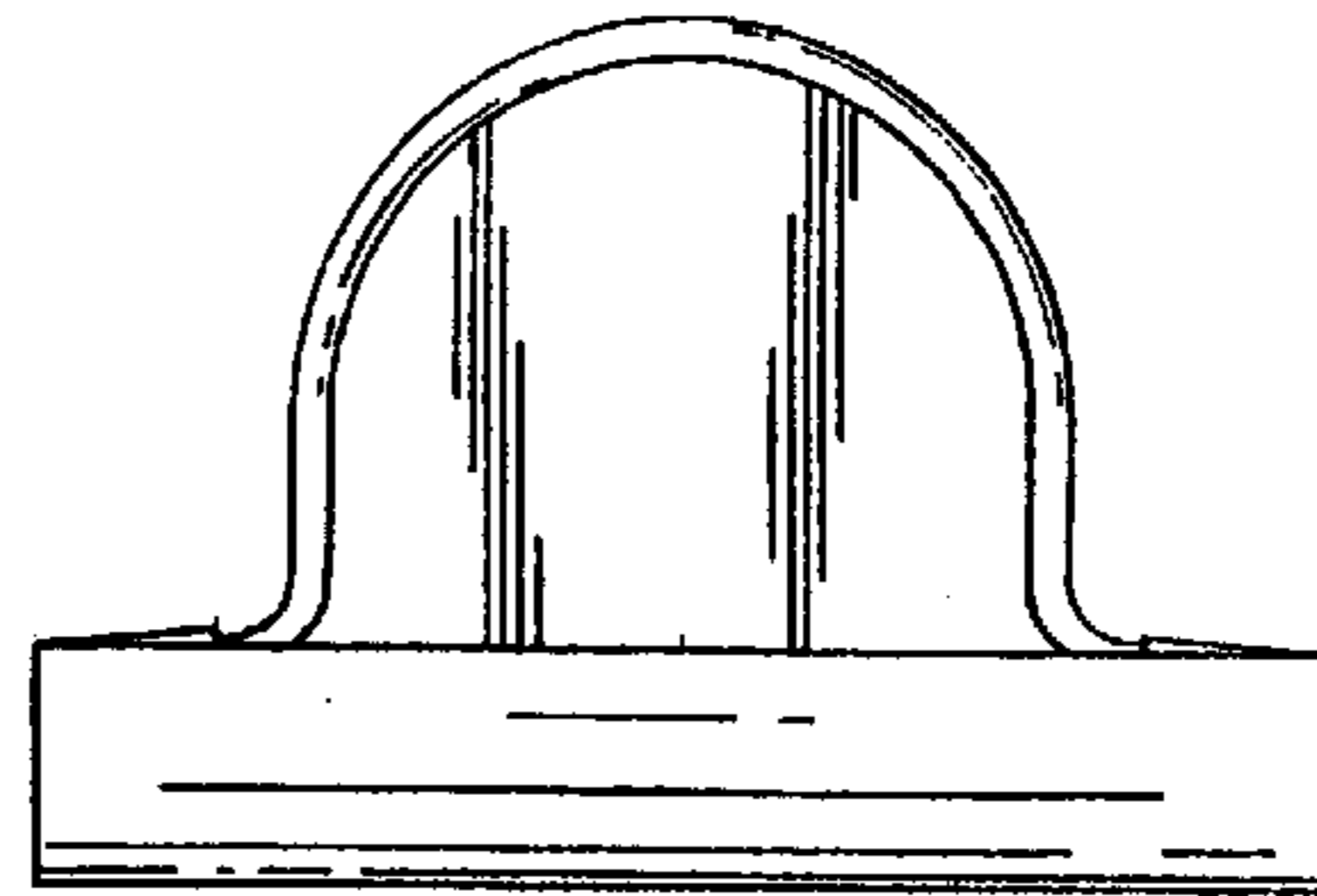


FIG. 5

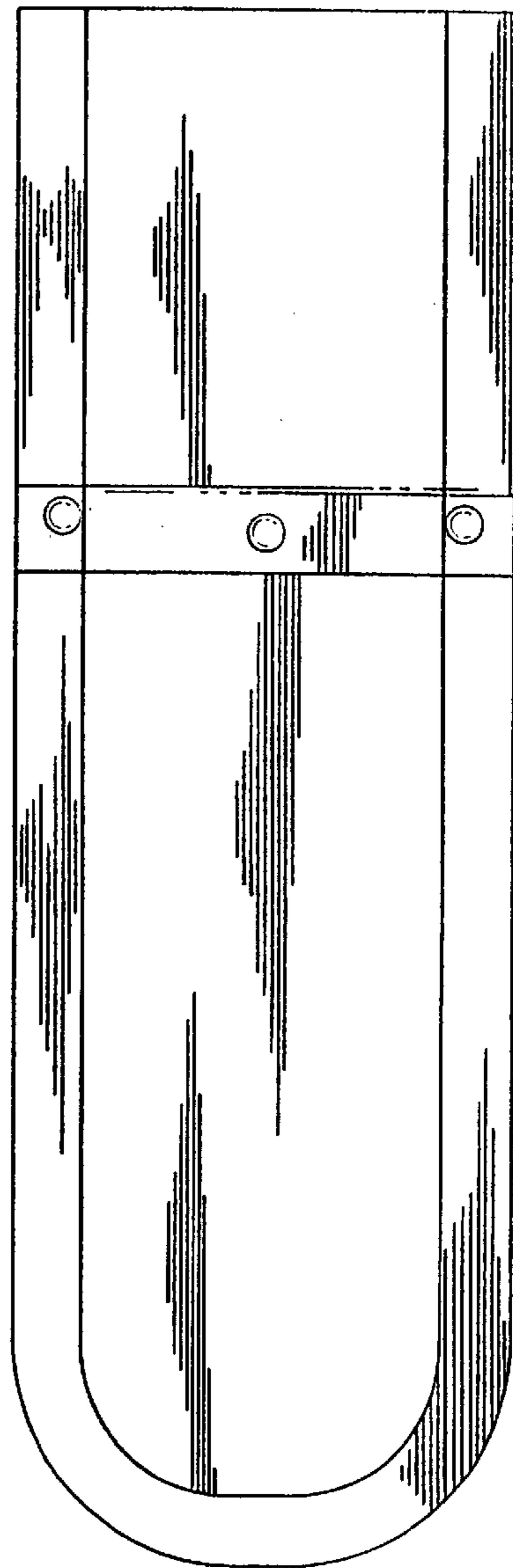
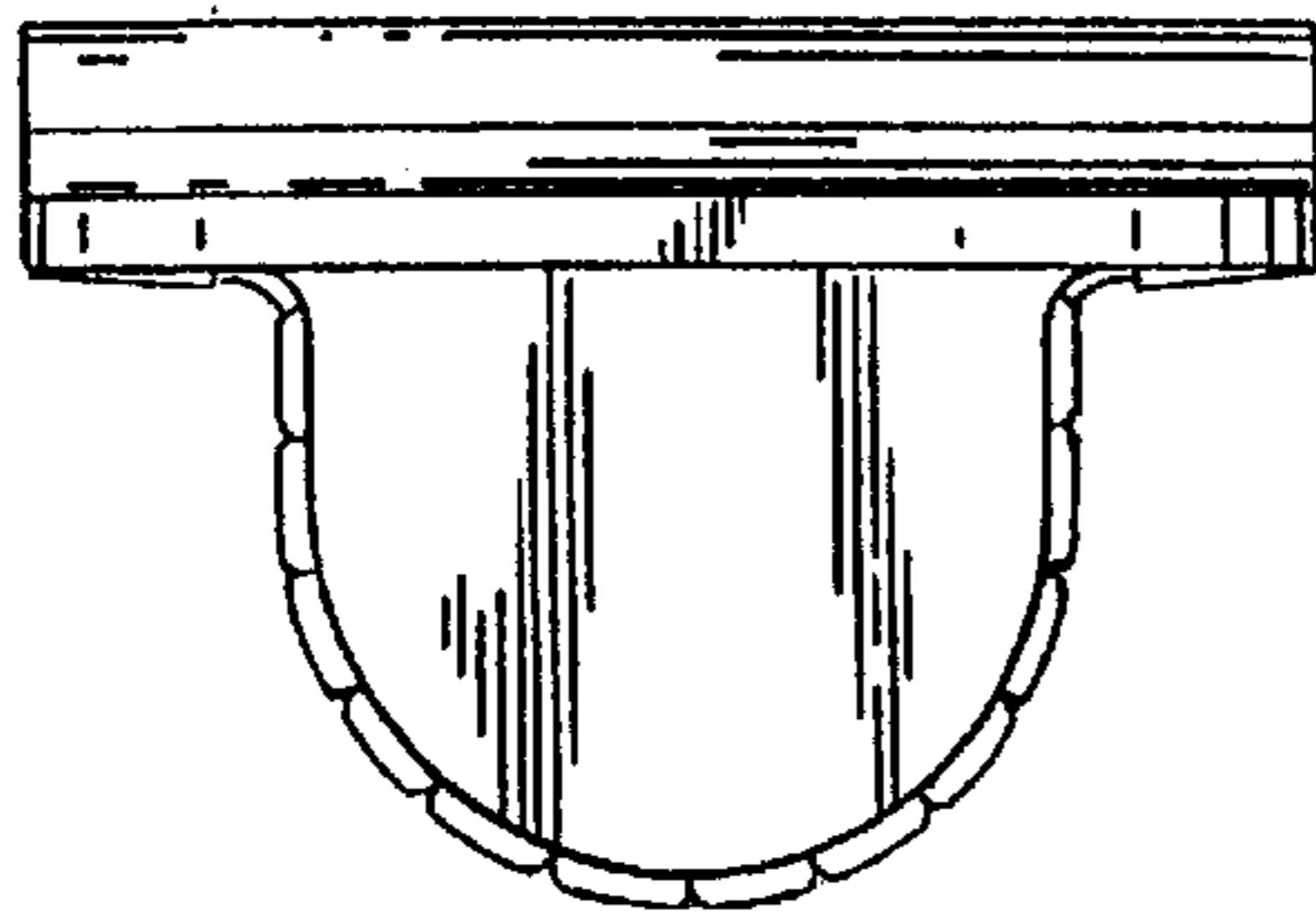
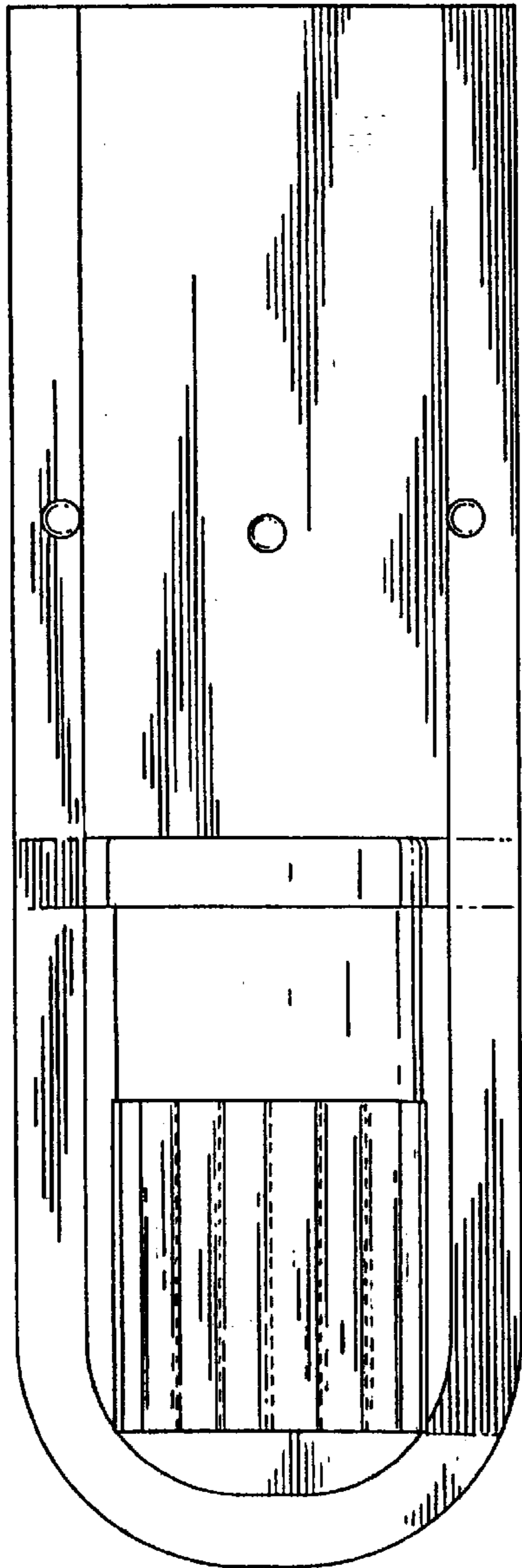
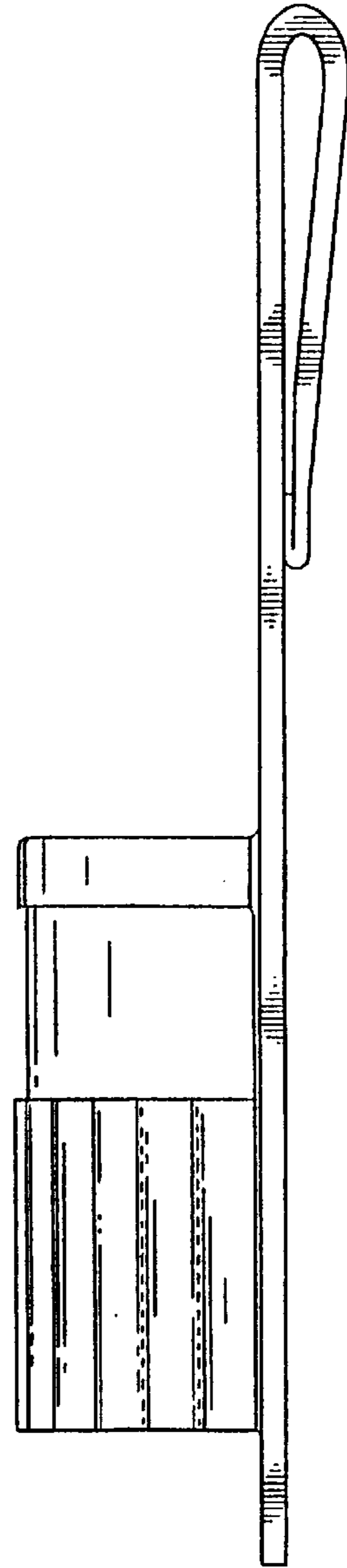


FIG. 4

**FIG. 2**



**FIG. 6**



**FIG. 3**

FIG. 11

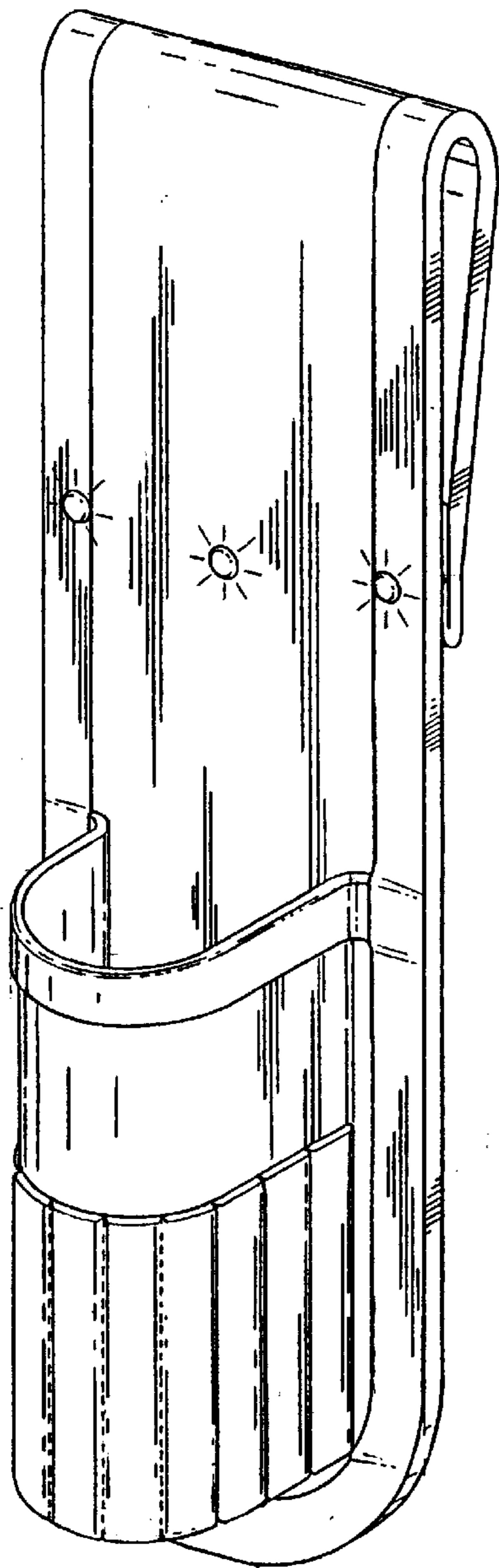
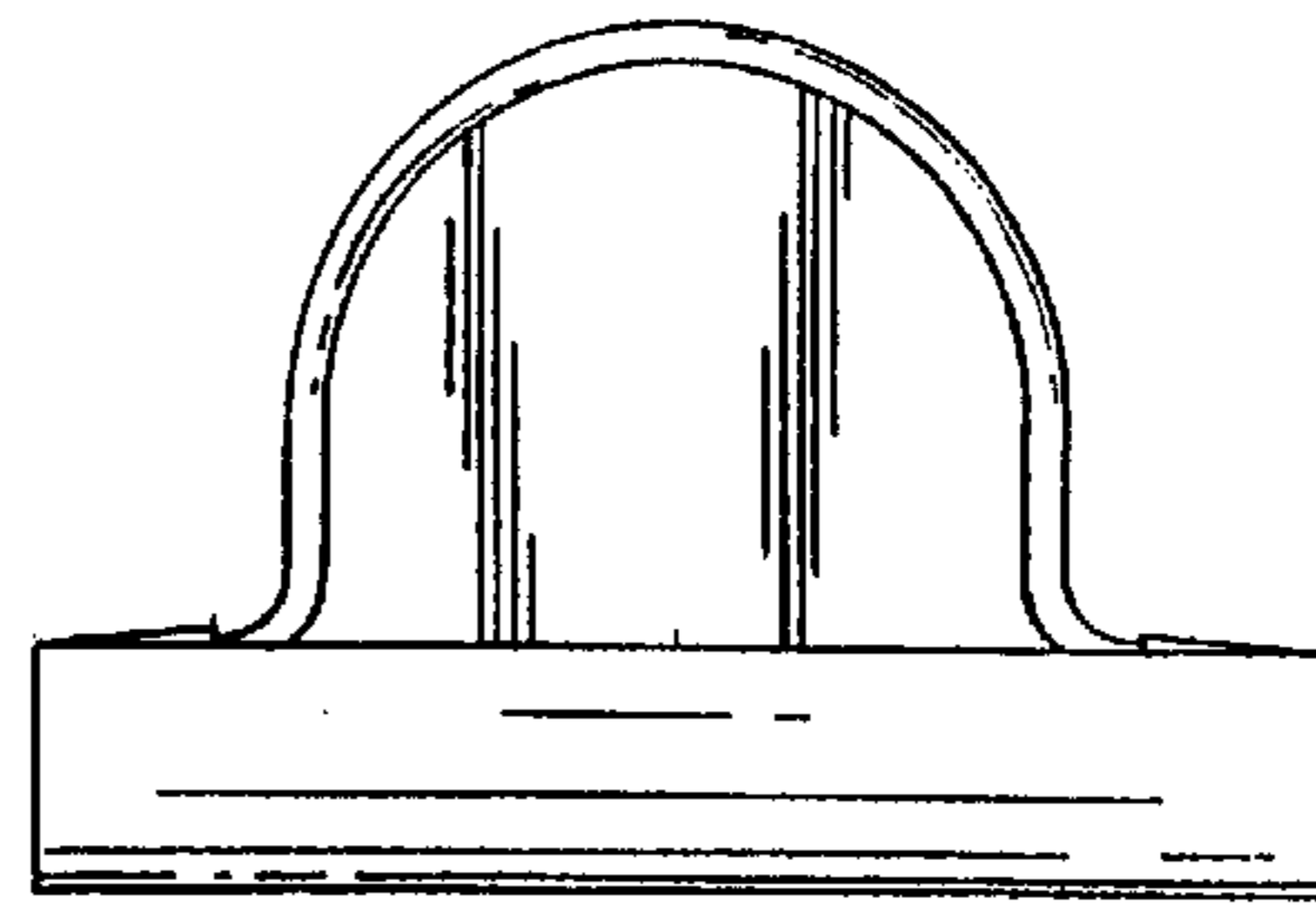


FIG. 7

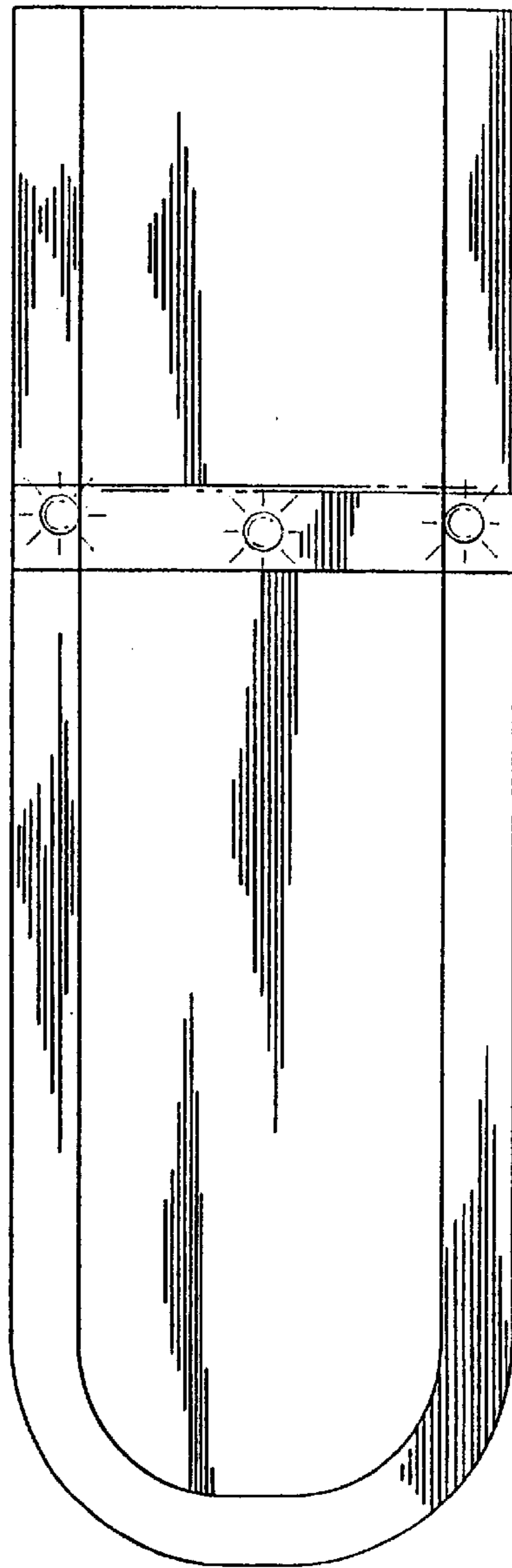
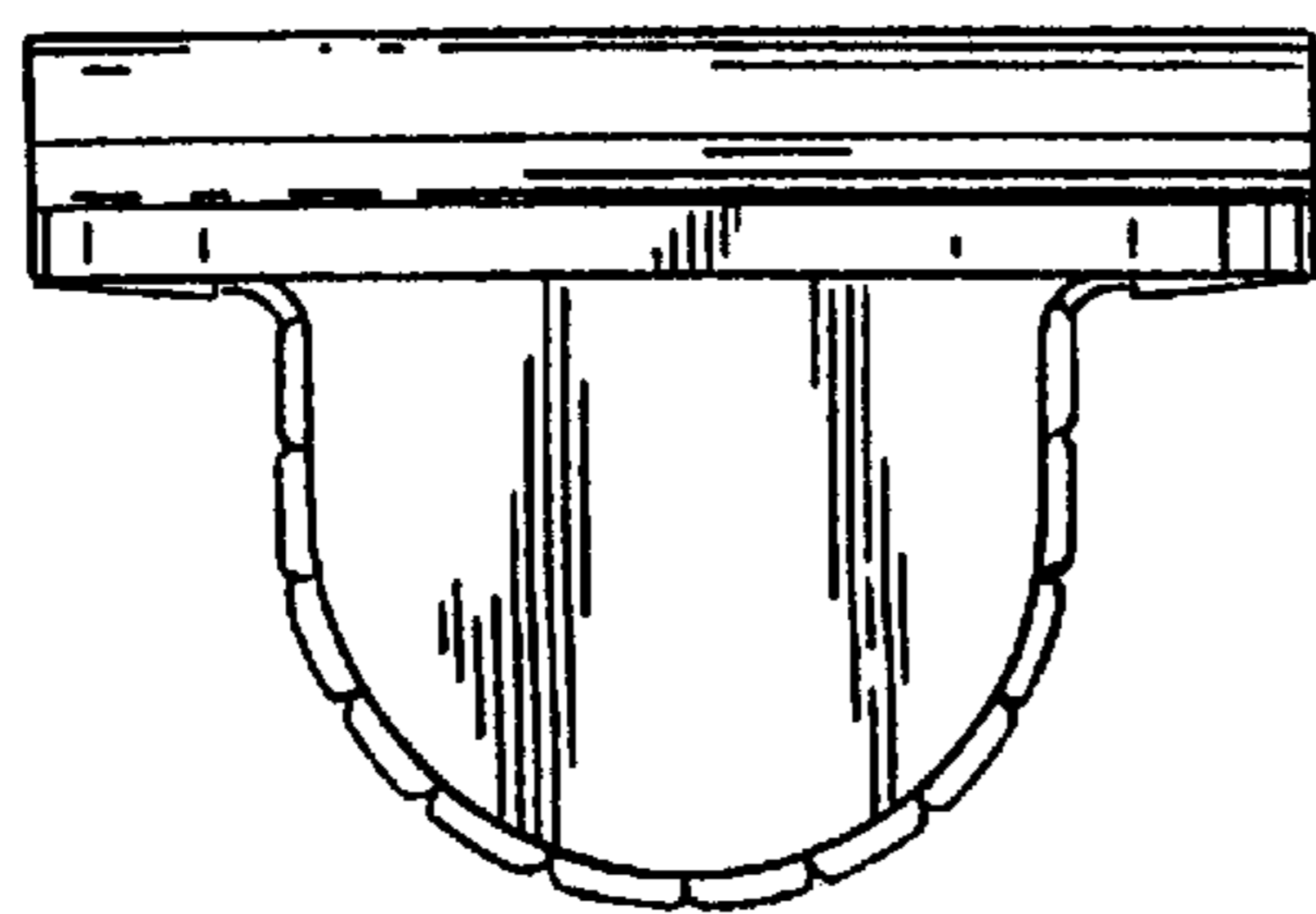
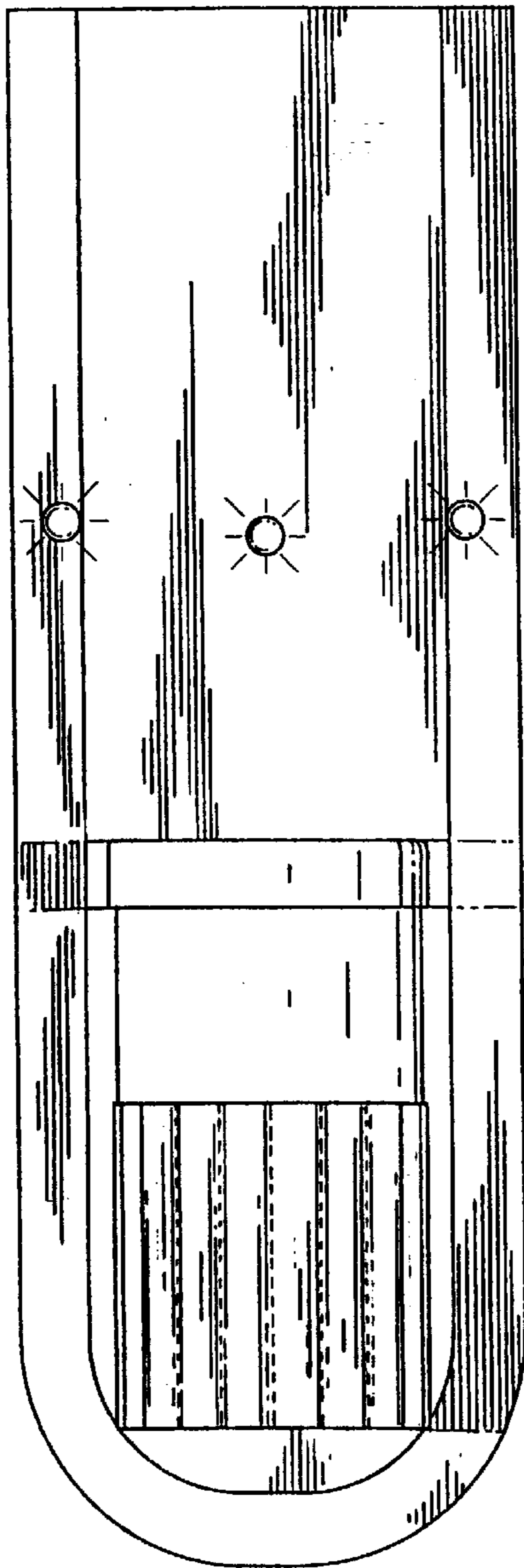
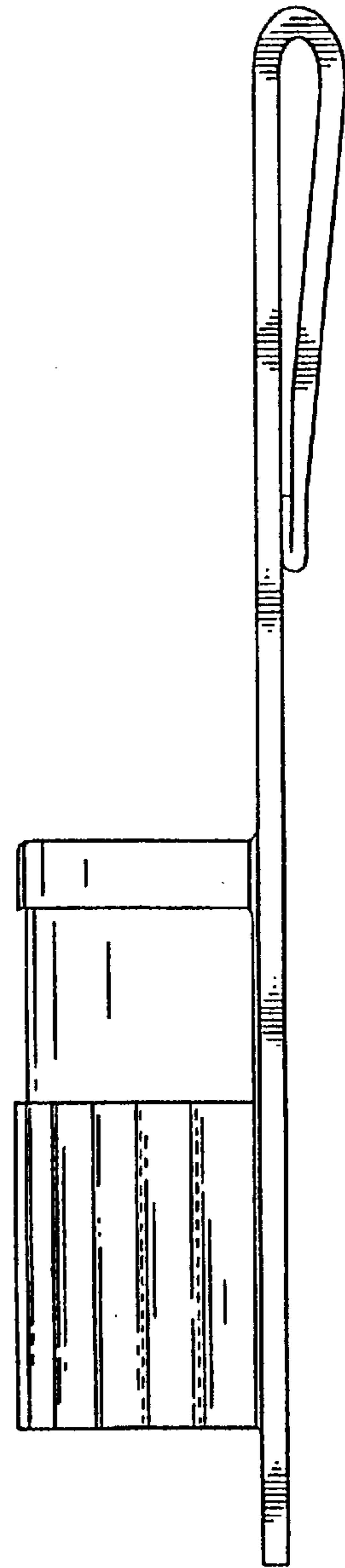


FIG. 10

**FIG. 8**



**FIG. 12**



**FIG. 9**

FIG. 18

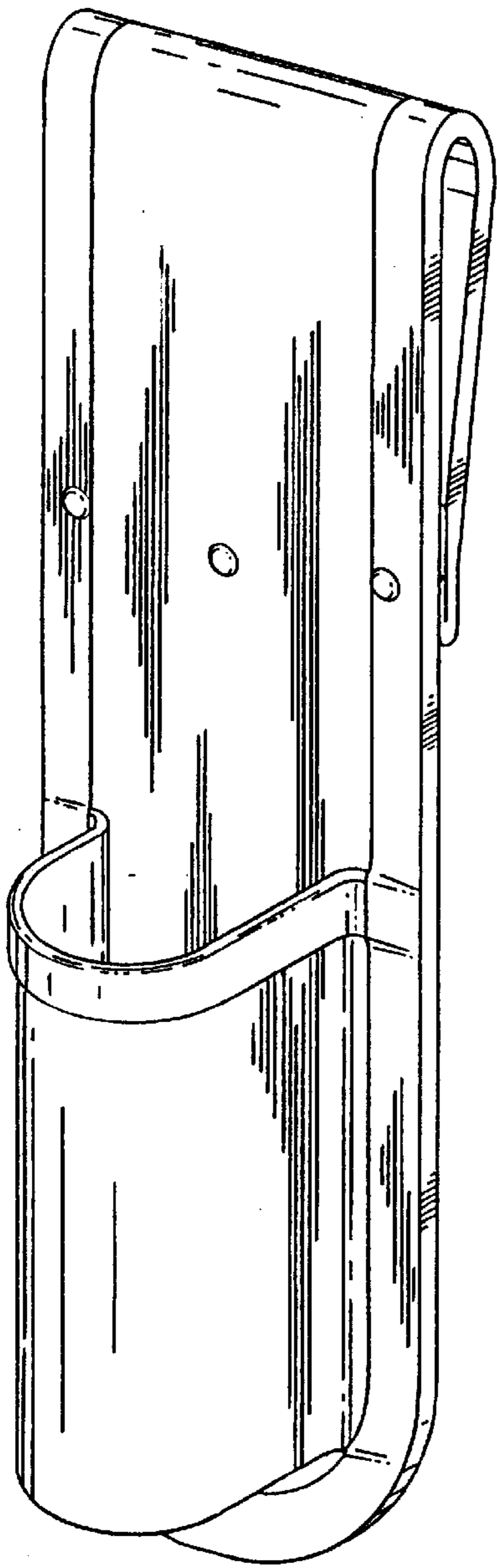
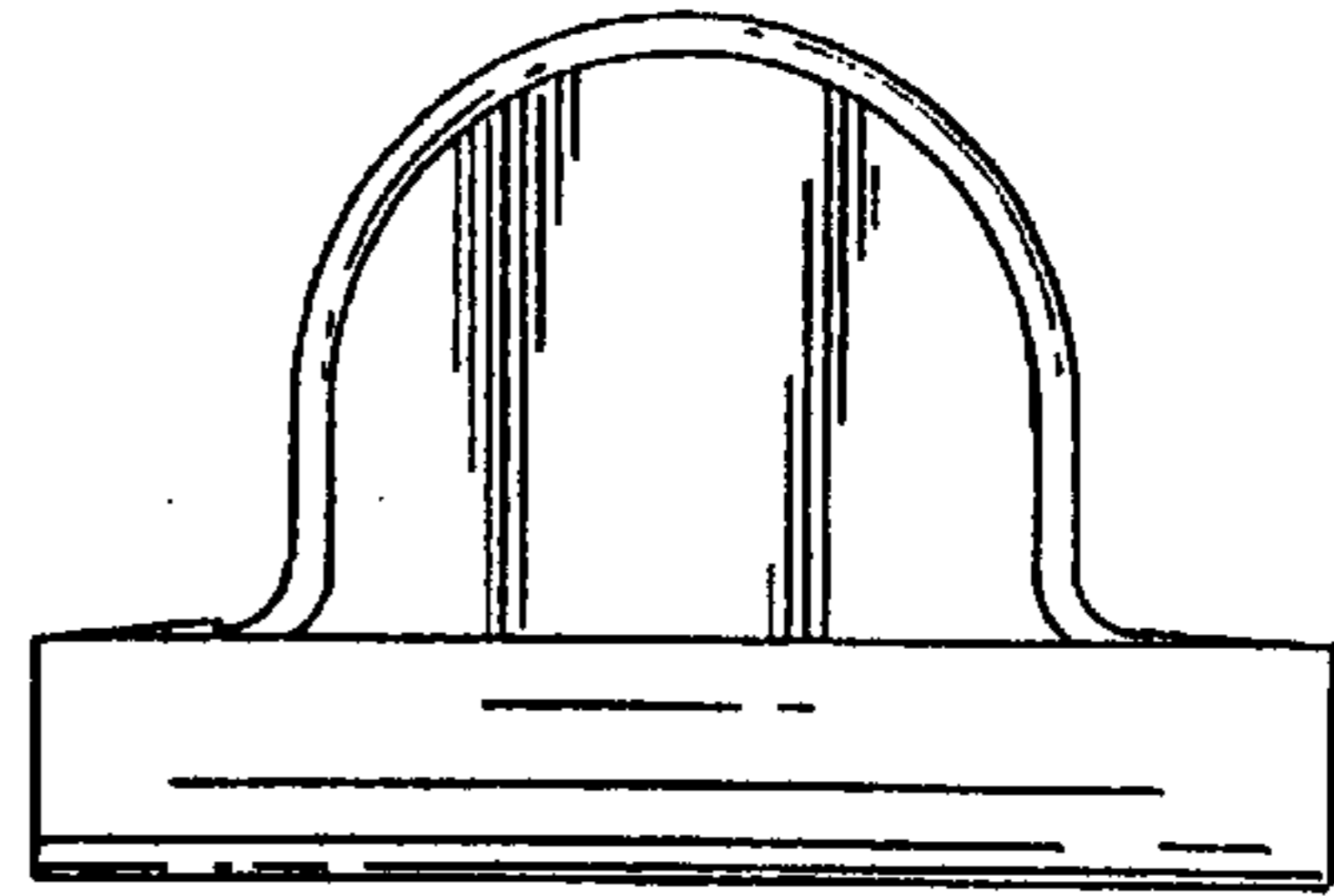


FIG. 13

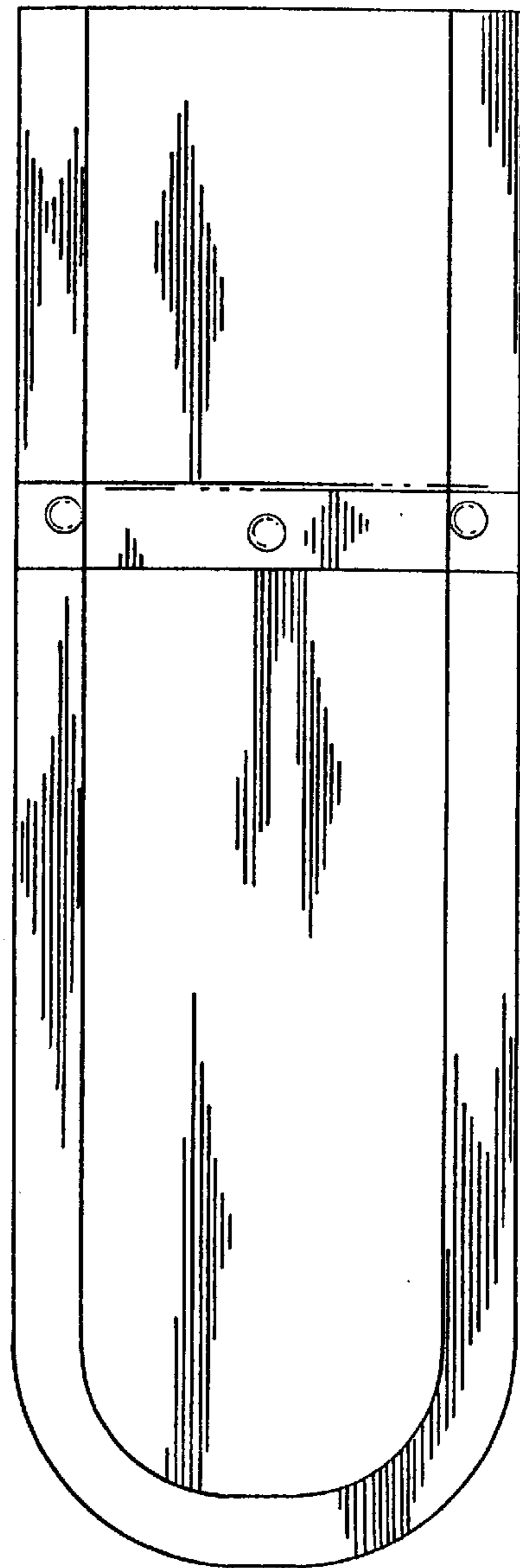
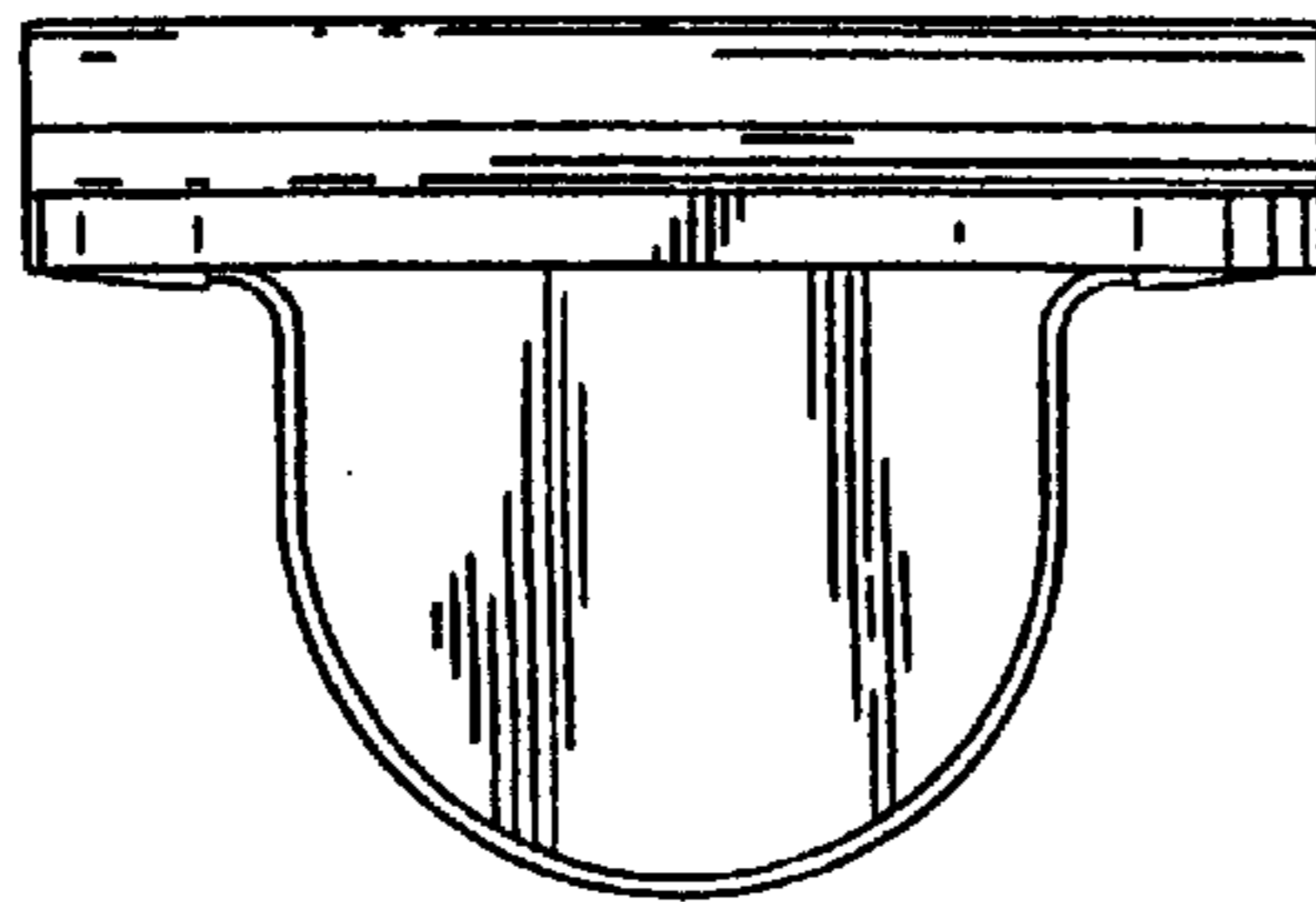
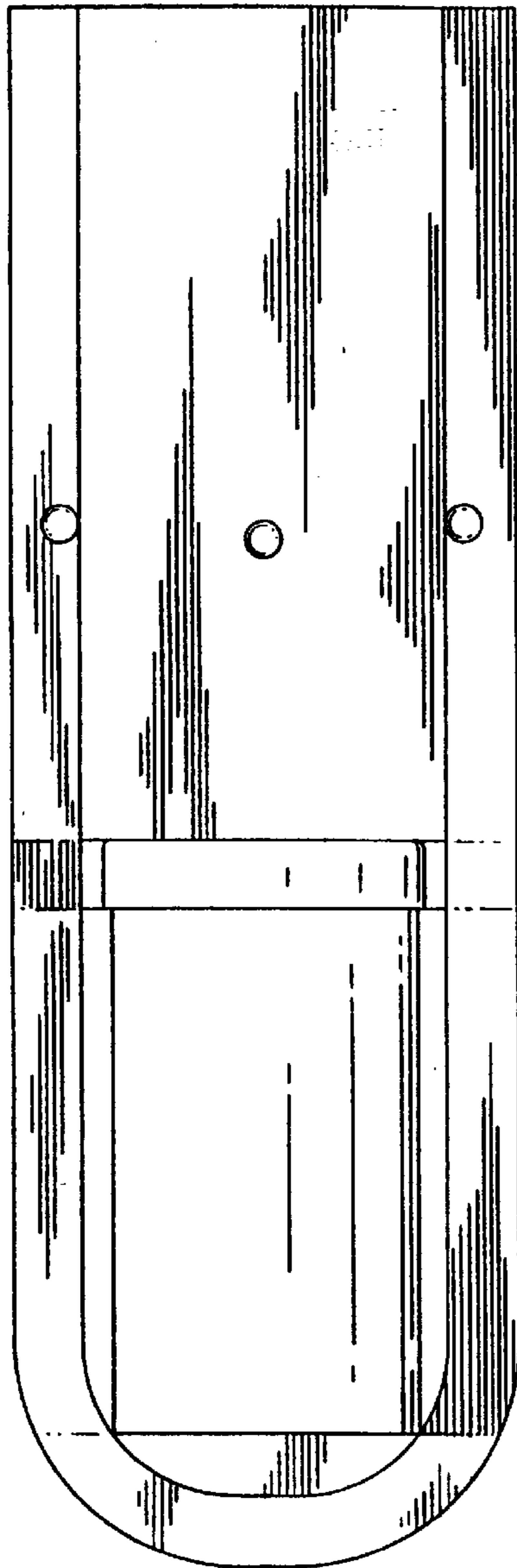
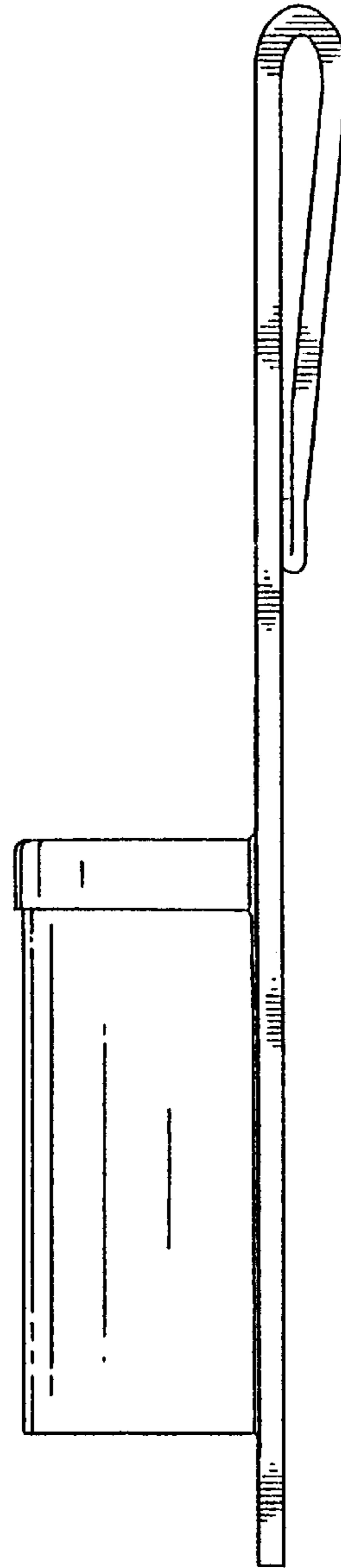


FIG. 17

**FIG. 14**



**FIG. 16**



**FIG. 15**