



US00D467069S

(12) **United States Design Patent**  
**TenHoeve**

(10) **Patent No.:** **US D467,069 S**

(45) **Date of Patent:** **\*\* Dec. 17, 2002**

(54) **CD PLAYER CARRYING STRAP**

6,375,057 B1 \* 4/2002 Gorchian ..... 224/682

(76) Inventor: **Cher L. TenHoeve**, 1105 Spring St.,  
Suite 1007, Seattle, WA (US) 98104

\* cited by examiner

(\*\*) Term: **14 Years**

*Primary Examiner*—Catherine R. Oliver  
(74) *Attorney, Agent, or Firm*—Dean A. Craine

(21) Appl. No.: **29/159,601**

(57) **CLAIM**

(22) Filed: **Apr. 23, 2002**

The ornamental design for a CD player carrying strap, as shown and described.

(51) **LOC (7) Cl.** ..... **03-01**

**DESCRIPTION**

(52) **U.S. Cl.** ..... **D3/218**

(58) **Field of Search** ..... D3/215, 218, 221,  
D3/327; 224/250, 257, 258, 908, 901, 904,  
682

FIG. 1 is a front perspective view of a CD player carrying strap showing my new design;

FIG. 2 is a front elevational view thereof;

FIG. 3 is a rear elevational view thereof;

FIG. 4 is a right side elevational view thereof;

FIG. 5 is a left side elevational view thereof;

FIG. 6 is a top plan view thereof; and,

FIG. 7 is a bottom plan view thereof.

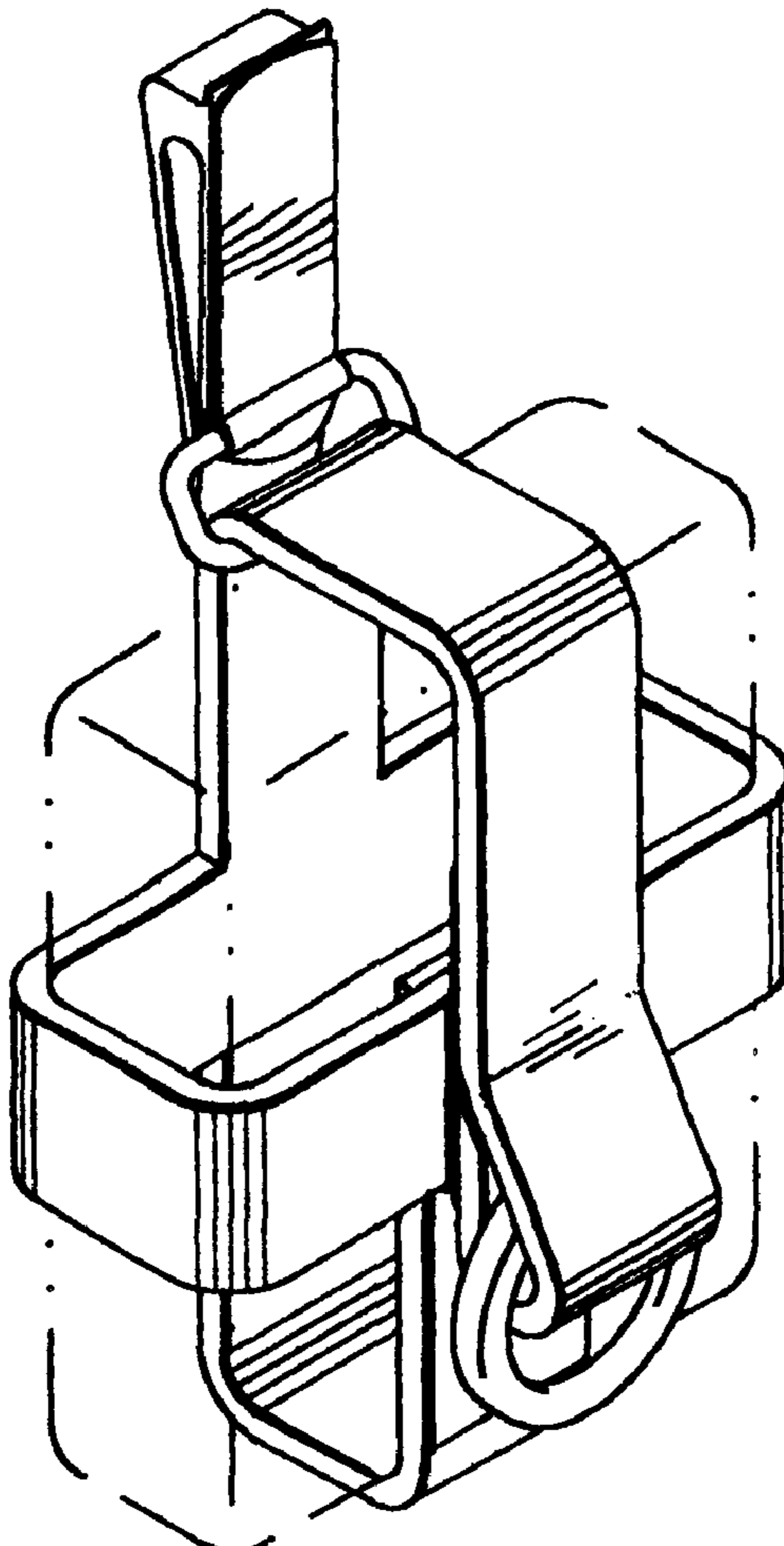
(56) **References Cited**

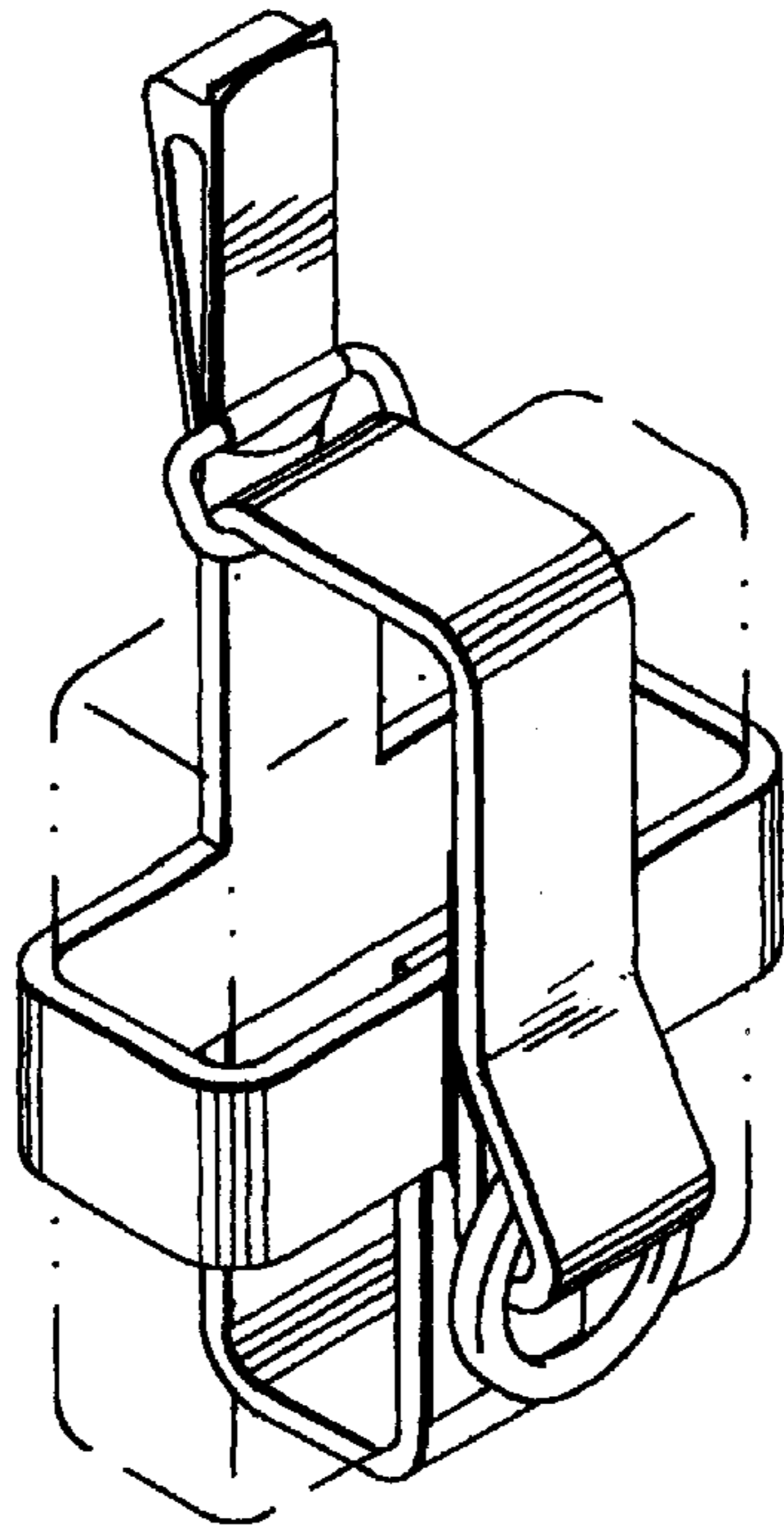
**U.S. PATENT DOCUMENTS**

4,057,757	A	*	11/1977	Darden, Jr.	.....	224/250
4,127,223	A	*	11/1978	Uchin	.....	224/250
4,420,104	A	*	12/1983	DiIenno	.....	224/250
D364,270	S	*	11/1995	Kellerman	.....	D3/218
5,535,928	A	*	7/1996	Herring	.....	224/250
5,941,434	A	*	8/1999	Green	.....	224/250
6,056,174	A		5/2000	Minckler	.....	224/250

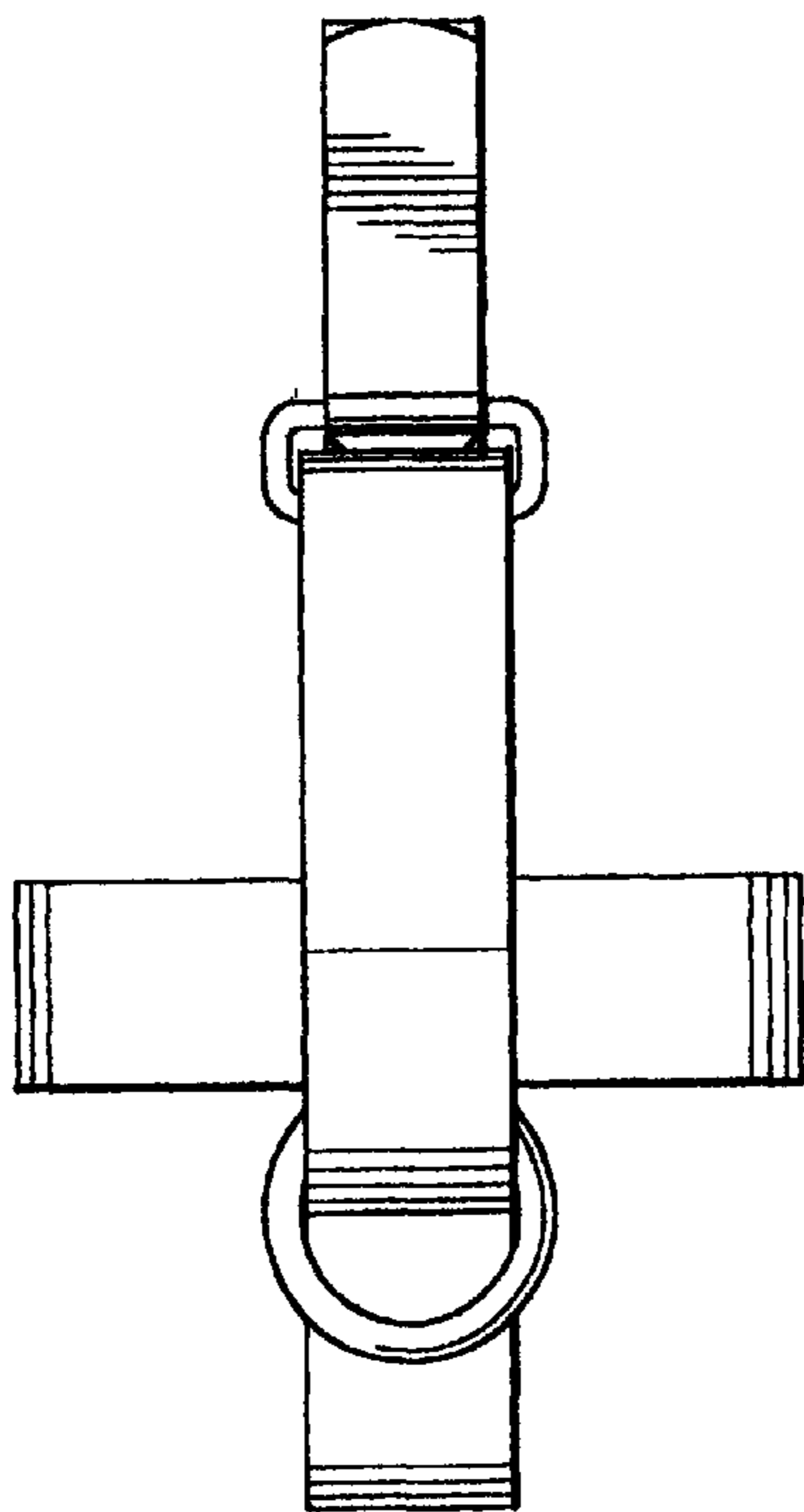
The broken line showing of environment in FIG. 1 is for illustrative purposes only and forms no part of the claimed design.

**1 Claim, 2 Drawing Sheets**

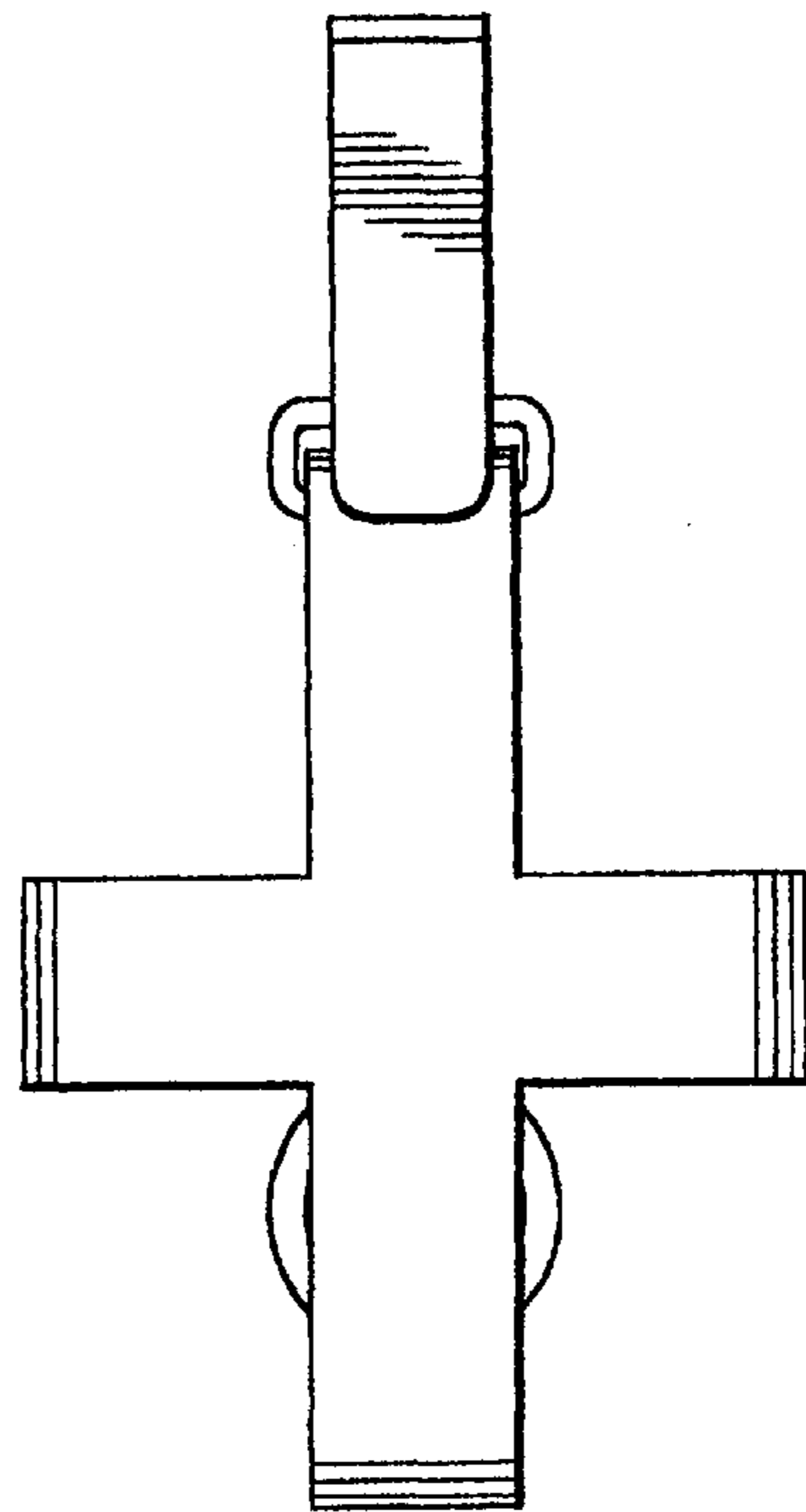




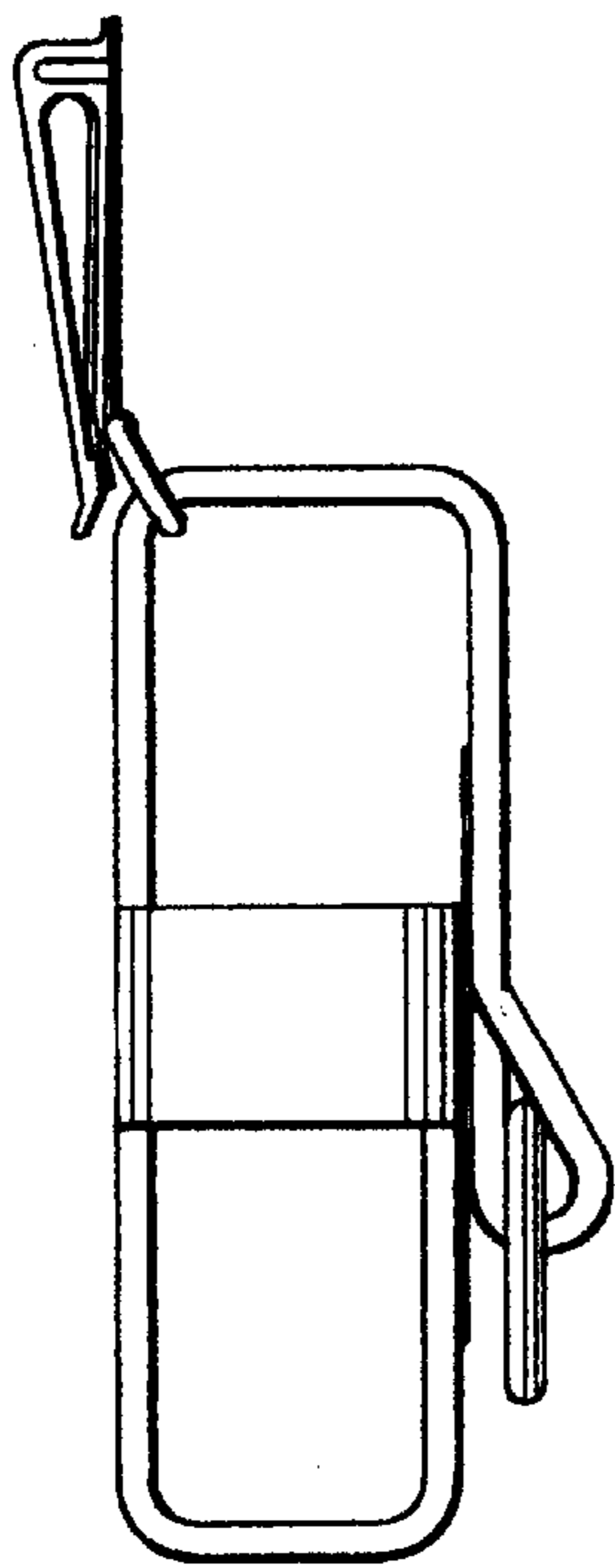
**FIG. 1**



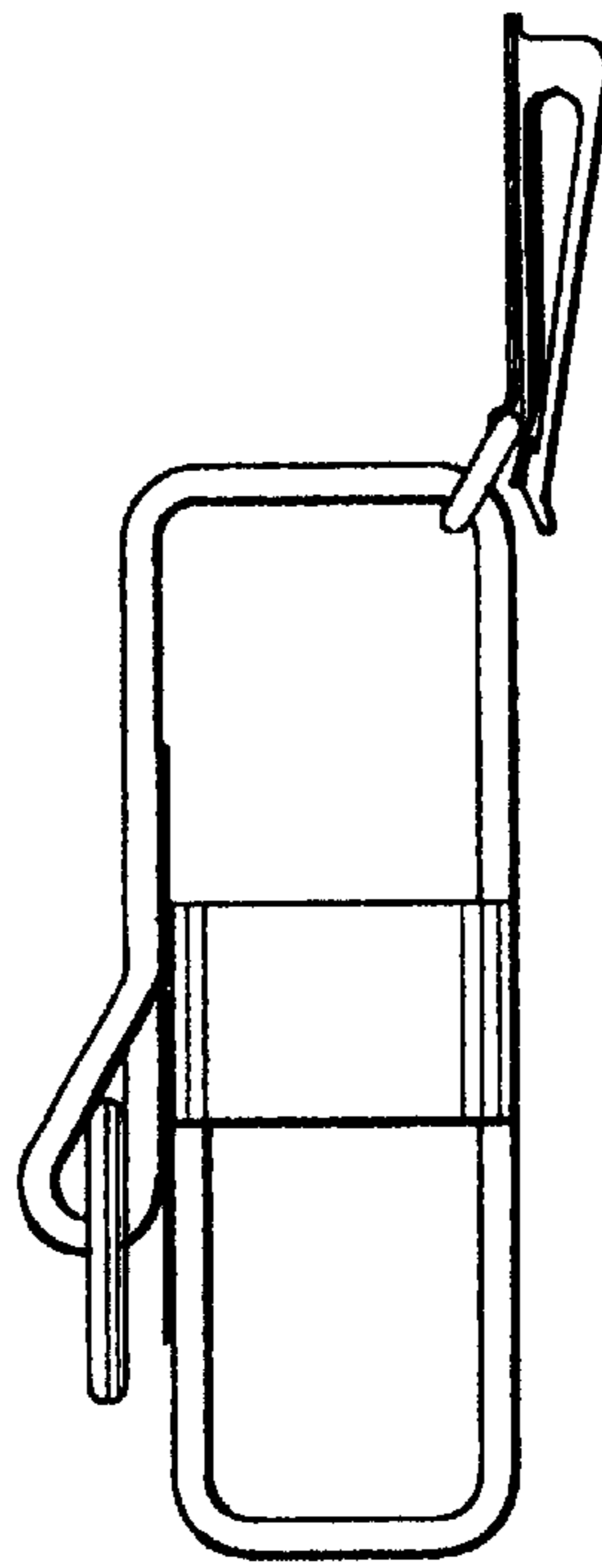
**FIG. 2**



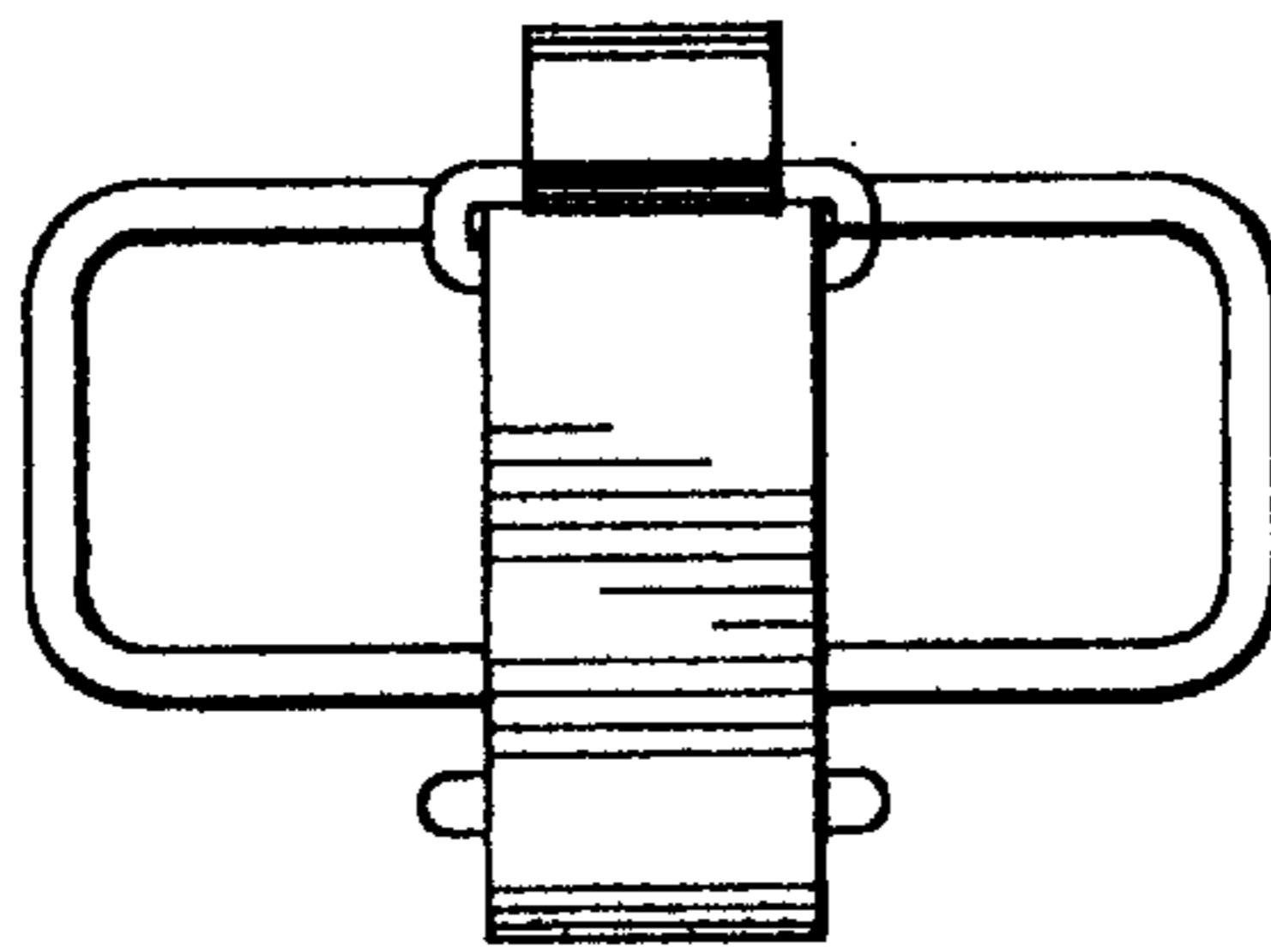
**FIG. 3**



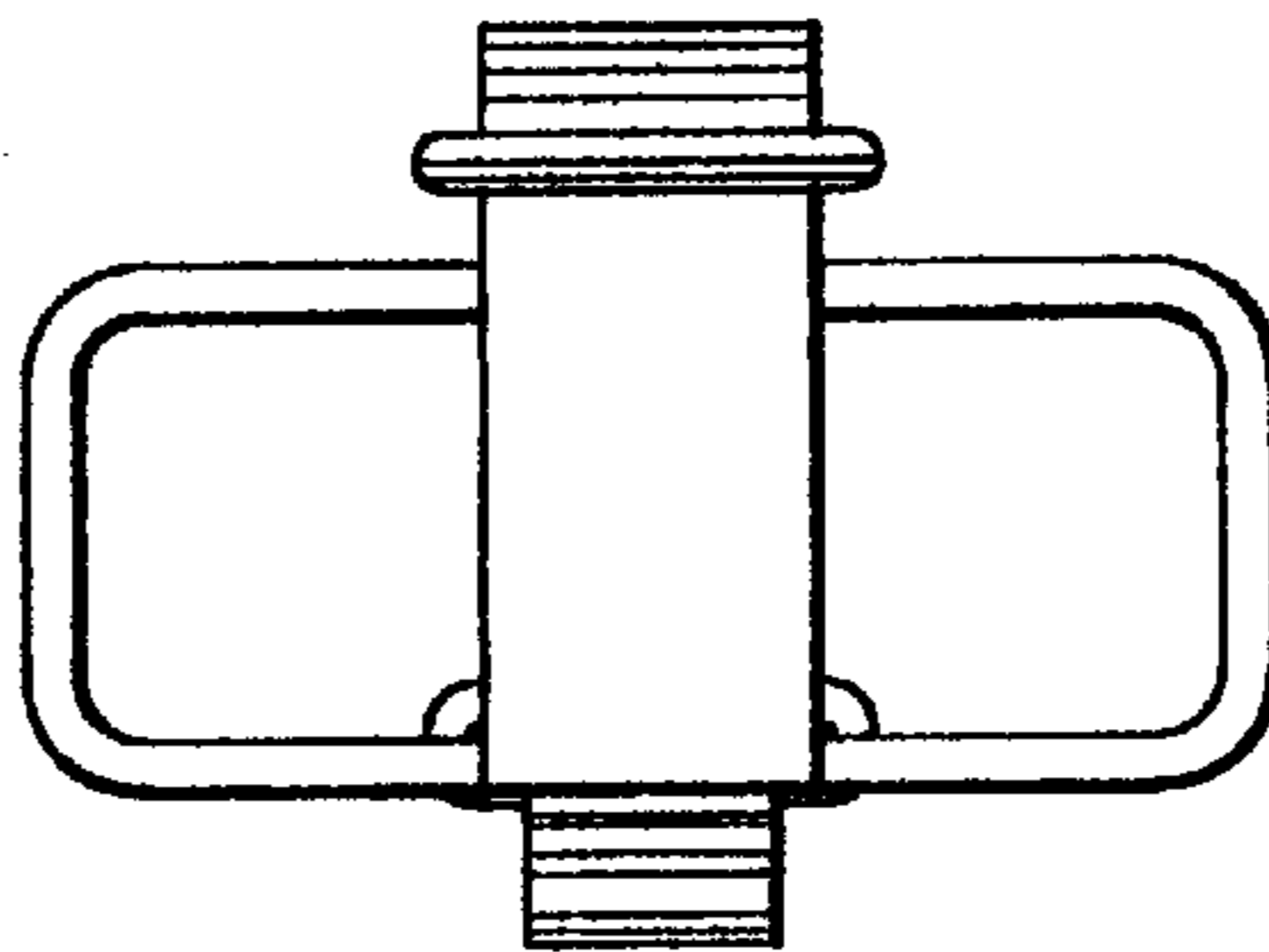
**FIG. 4**



**FIG. 5**



**FIG. 6**



**FIG. 7**