



US00D467068S

(12) **United States Design Patent**  
**Lewis et al.**

(10) **Patent No.: US D467,068 S**  
(45) **Date of Patent: \*\* Dec. 17, 2002**

(54) **CLIP-ON RECEIVER FOR SUPPORTING A WEIGHTED OBJECT ON A USER'S WAIST BELT**

(75) Inventors: **Scott Lewis**, 1727 NW. Aspen Ave., Portland, OR (US) 97210; **Brian Baker**, Portland, OR (US)

(73) Assignee: **Scott Lewis**, Portland, OR (US)

(\*\*) Term: **14 Years**

(21) Appl. No.: **29/147,142**

(22) Filed: **Aug. 22, 2001**

**Related U.S. Application Data**

(63) Continuation-in-part of application No. 09/522,509, filed on Mar. 10, 2000, now abandoned.

(51) **LOC (7) Cl. .... 03-01**

(52) **U.S. Cl. .... D3/215**

(58) **Field of Search .... D3/215, 218, 224, D3/226, 221; 224/240, 241, 245, 918, 919**

(56) **References Cited**

**U.S. PATENT DOCUMENTS**

514,804 A	2/1894	Allien	224/268
1,206,074 A	11/1916	Zwiener et al.	24/3.6
1,816,284 A	7/1931	Hughes	224/199
2,212,756 A *	8/1940	Stewart	224/271
2,536,725 A *	1/1951	Cleveland	224/918
2,543,313 A	2/1951	Dietzgen	224/26
D165,253 S	11/1951	Ward	D3/224
3,157,927 A	11/1964	Roden	24/3
3,285,482 A	11/1966	Bedsaul, Sr.	224/25
4,166,557 A	9/1979	Conley	224/101
4,182,470 A	1/1980	Atkinson	224/183
4,319,704 A	3/1982	Rosen	224/270
4,605,335 A	8/1986	Otrusina	403/348
4,915,279 A	4/1990	Galbraith	224/230
5,014,892 A *	5/1991	Copeland	224/271

5,042,702 A	8/1991	Douglass	224/208
5,184,763 A *	2/1993	Blaisdell et al.	224/583 X
5,419,473 A	5/1995	Lamar	224/215
5,464,139 A	11/1995	Schuchmann	224/269
5,540,368 A *	7/1996	Oliva	224/272 X
5,597,102 A *	1/1997	Saarikko et al.	224/197

(List continued on next page.)

**FOREIGN PATENT DOCUMENTS**

DE	19729956	1/1999	..... A45F/3/08
FR	2752694	3/1998	..... A45C/13/18
GB	1416278	12/1975	..... A45F/3/00
SU	1722427	3/1992	..... A45F/3/10
WO	8701016	2/1987	..... A45F/3/04

*Primary Examiner*—Catherine R. Oliver

(74) *Attorney, Agent, or Firm*—Stoel Rives LLP

(57) **CLAIM**

The ornamental design for a clip-on receiver for supporting a weighted object on a user's waist belt, as shown and described.

**DESCRIPTION**

FIG. 1 is a front perspective view of a clip-on receiver for supporting a weighted object on a user's belt showing our new design;

FIG. 2 is a rear perspective view thereof, shown on a reduced scale;

FIG. 3 is a frontal elevation view of the clip-on receiver of FIGS. 1 and 2, with environmental detail omitted;

FIG. 4 is a rear elevation view thereof;

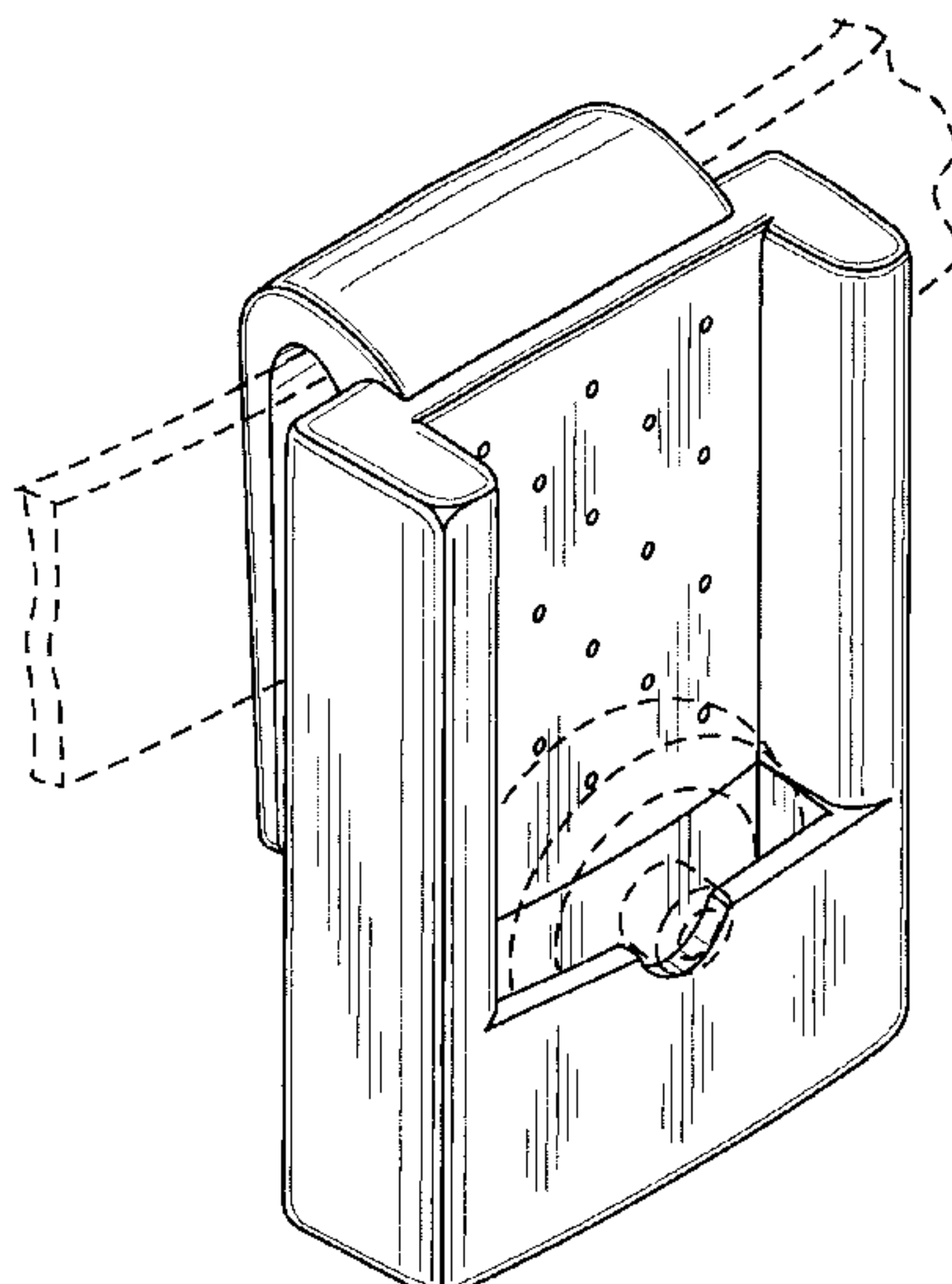
FIG. 5 is a right side elevation view thereof, the left side (not shown) being a mirror-image;

FIG. 6 is a top plan view thereof; and,

FIG. 7 is a bottom plan view thereof.

The broken lines in FIGS. 1 and 2, showing of the user's waist belt, the load-mountable disk part, and the golf bag are illustrative of environmental structure only and form no part of the claimed design.

**1 Claim, 2 Drawing Sheets**



# US D467,068 S

Page 2

---

## U.S. PATENT DOCUMENTS

5,609,278 A *	3/1997	Fresco .....	224/637 X	5,839,173 A	11/1998	Otrusina .....	24/597
5,628,443 A *	5/1997	Deutsch .....	224/645 X	5,950,889 A	9/1999	Feldman, Jr. ....	224/259
5,687,892 A	11/1997	Johns .....	224/268	5,957,421 A *	9/1999	Barbour .....	224/271 X
5,722,576 A	3/1998	Rogers .....	224/195	D418,119 S *	12/1999	Rowell .....	D14/114
5,795,248 A *	8/1998	Giglio .....	224/918	D457,308 S *	5/2002	Infanti .....	D3/218

\* cited by examiner

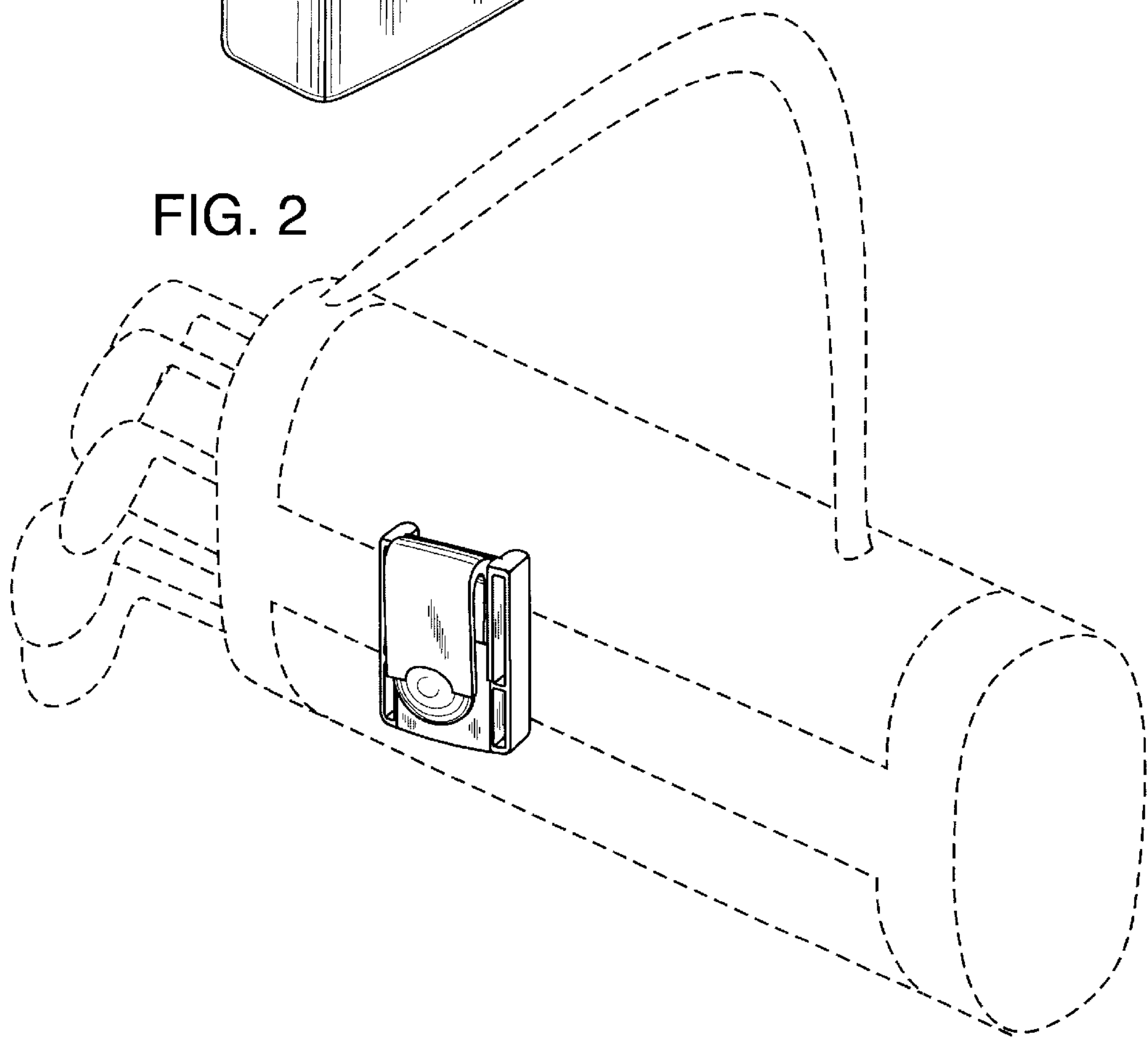
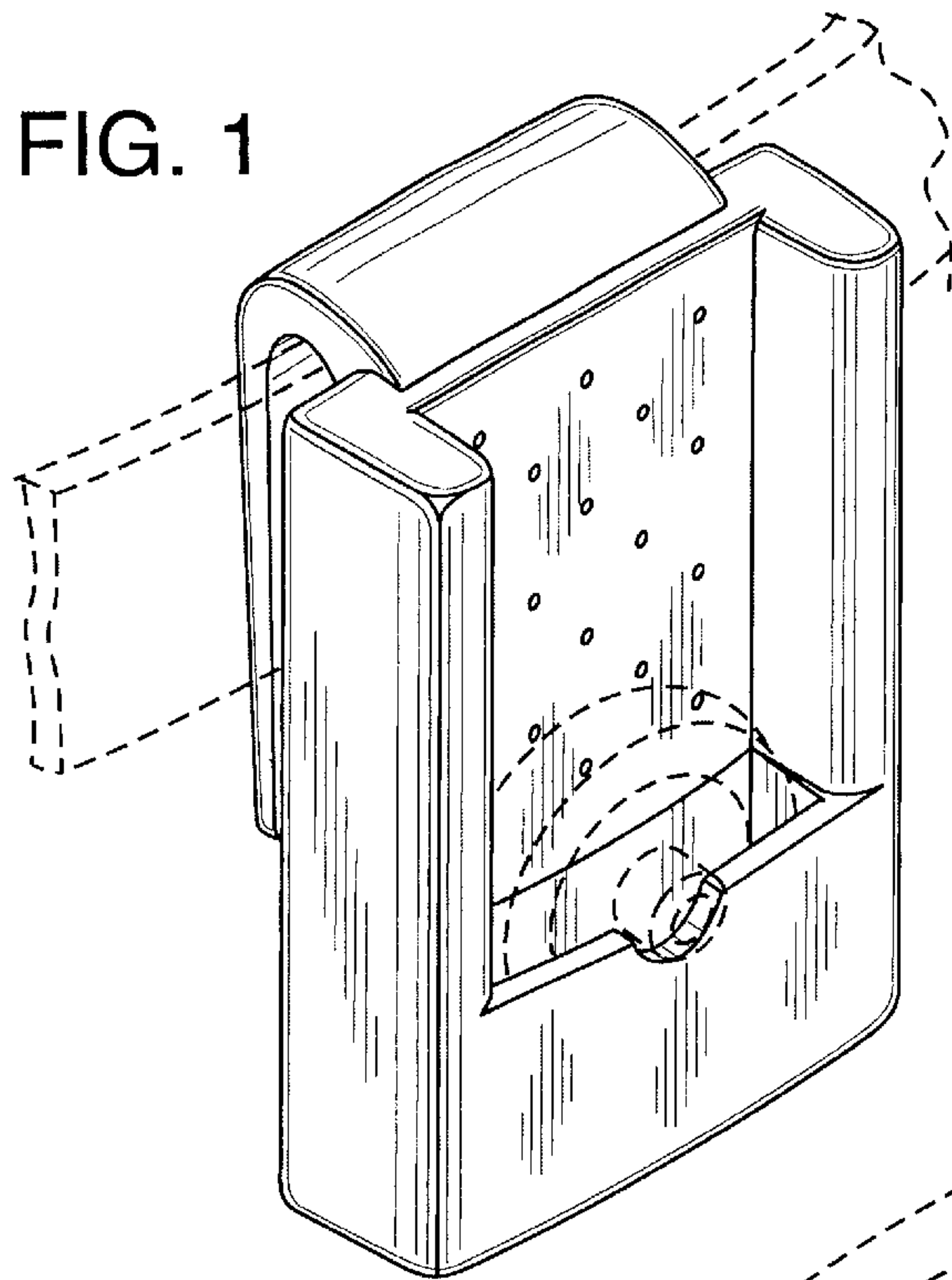


FIG. 3

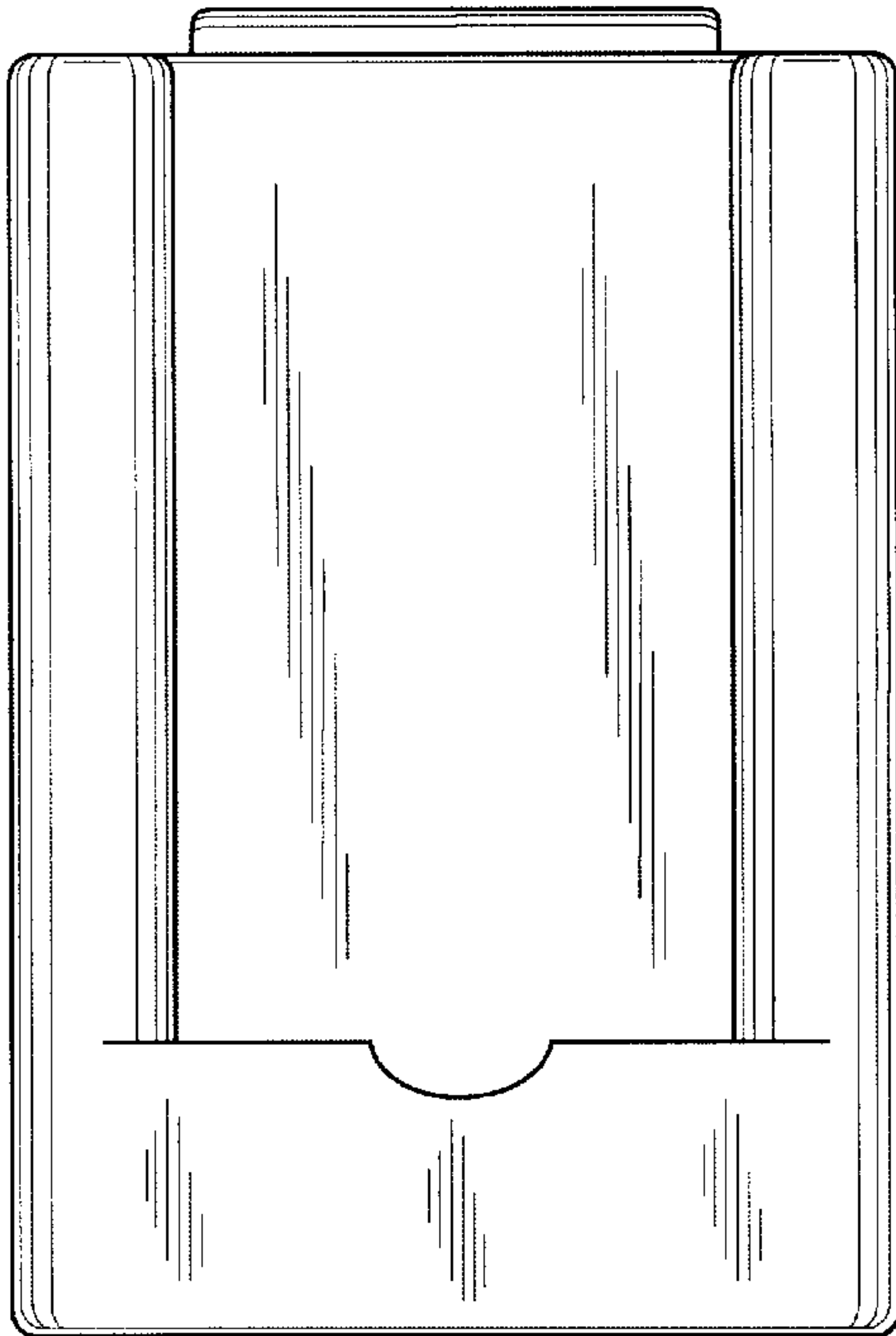


FIG. 4

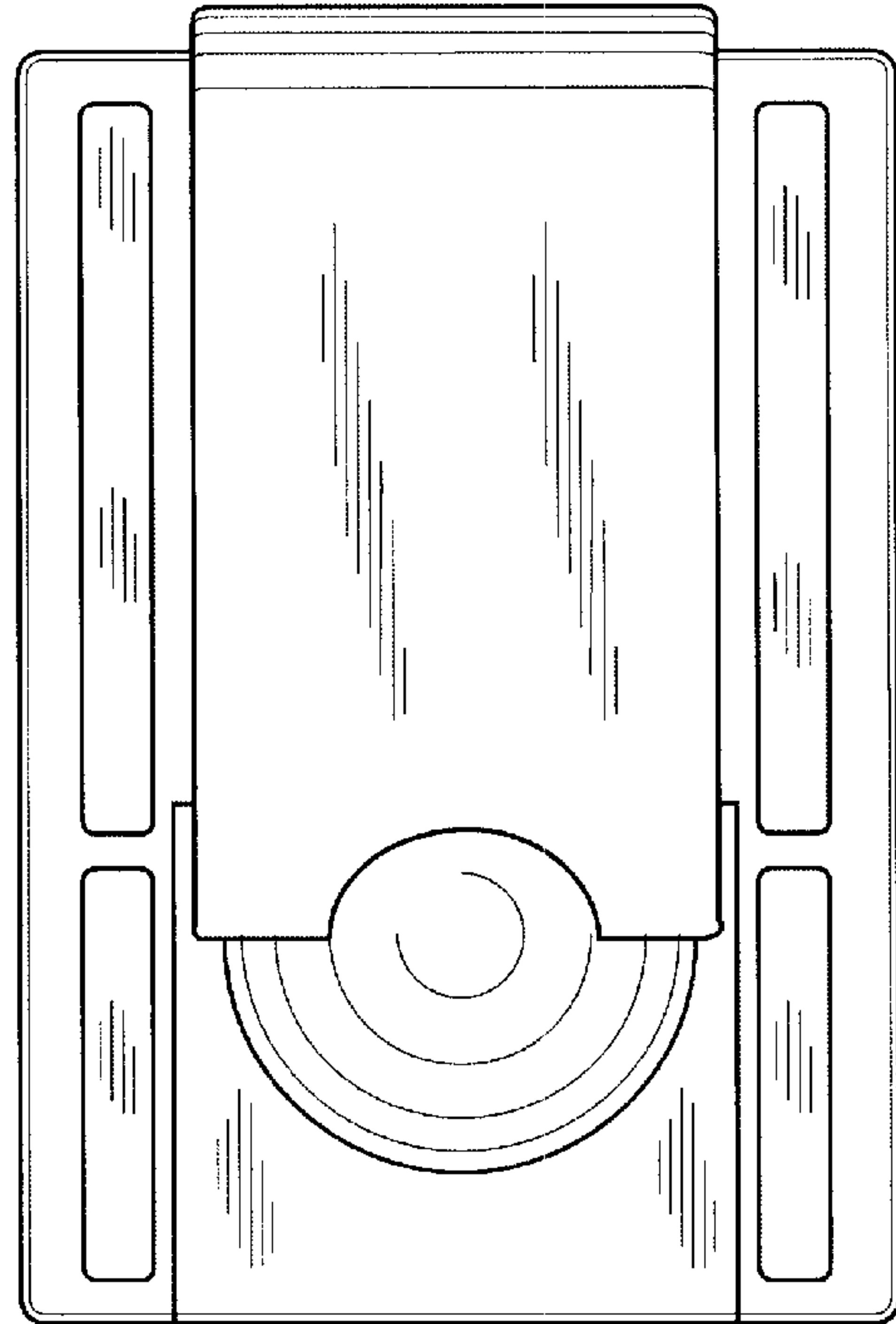


FIG. 5

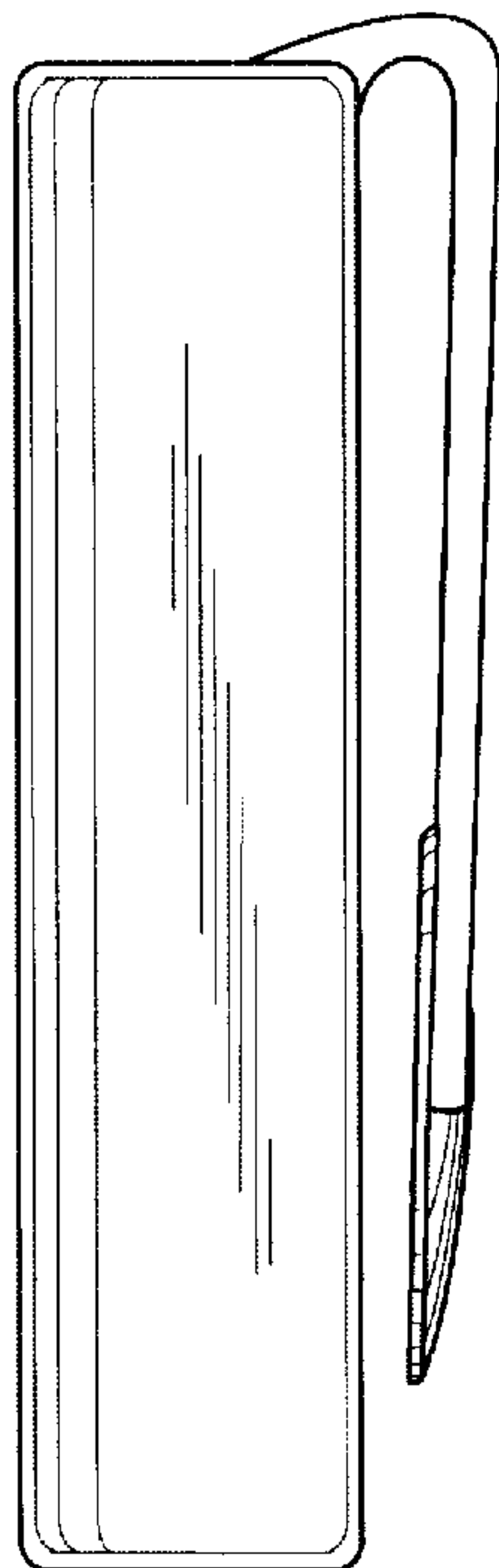


FIG. 6

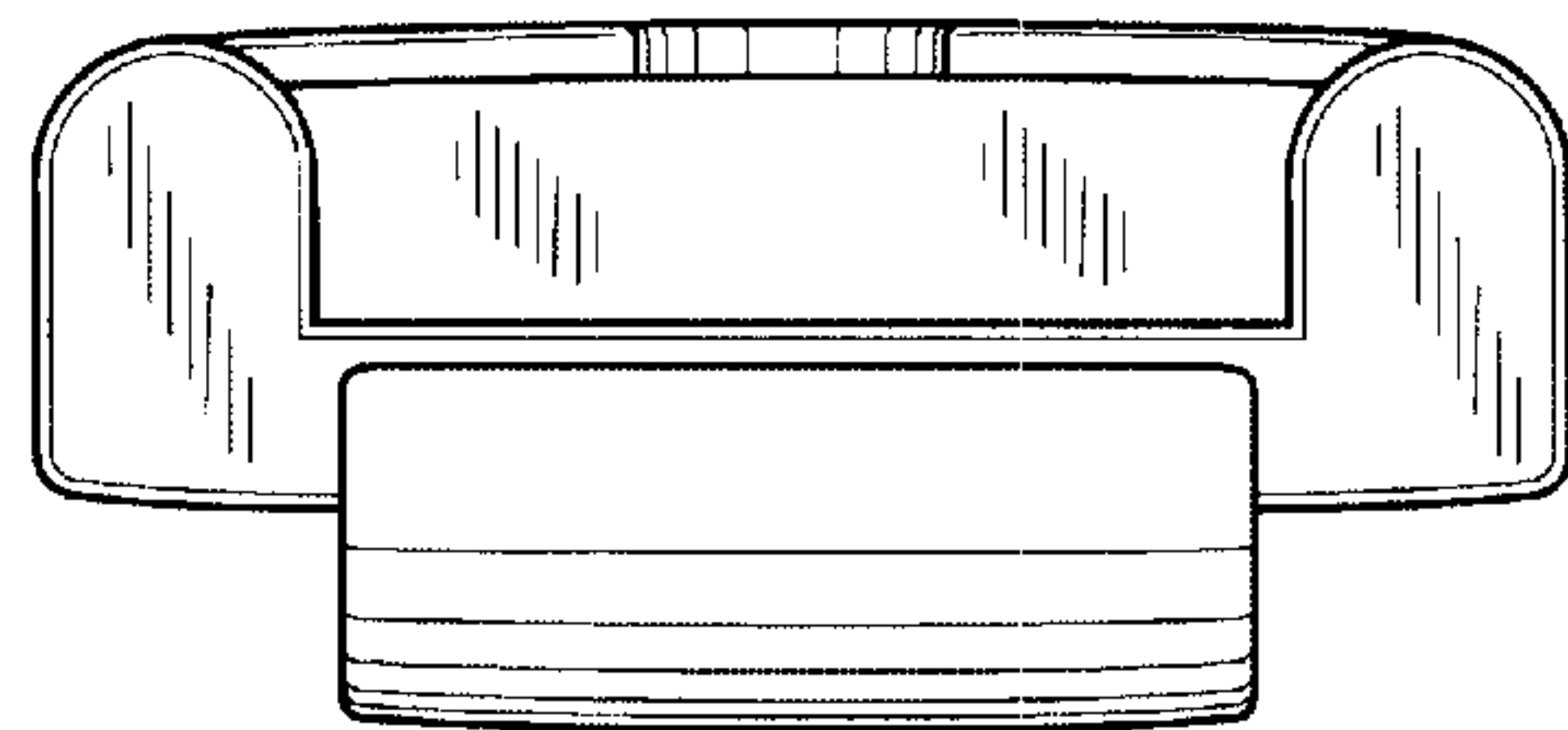


FIG. 7

